



US00D850915S

(12) **United States Design Patent**
Pietrasanta

(10) **Patent No.:** **US D850,915 S**

(45) **Date of Patent:** **** Jun. 11, 2019**

(54) **BOTTLE**

(71) Applicant: **Conopco, Inc.**, Englewood Cliffs, NJ
(US)

(72) Inventor: **Davide Pietrasanta**, Rotterdam (NL)

(73) Assignee: **Conopco, Inc.**, Englewood Cliffs, NJ
(US)

(**) Term: **15 Years**

(21) Appl. No.: **29/637,142**

(22) Filed: **Feb. 14, 2018**

(30) **Foreign Application Priority Data**

Aug. 22, 2017 (EM) 004157857-0001
Aug. 22, 2017 (EM) 004157857-0002

(51) **LOC (11) Cl.** **09-01**

(52) **U.S. Cl.**
USPC **D9/500**

(58) **Field of Classification Search**
USPC D9/500, 503-505, 516, 530, 537,
D9/539-540, 544-545, 548-549, 575,
D9/715, 719
CPC B65D 1/00; B65D 1/02; B65D 1/0223;
B65D 23/00; B65D 81/00; B65D
2501/00; B65D 2501/0009
See application file for complete search history.

(56) **References Cited**

U.S. PATENT DOCUMENTS

D68,085 S * 9/1925 Bromley D26/11
D222,529 S * 11/1971 Terner D9/500
D353,771 S * 12/1994 Klitsner D9/500
D427,908 S * 7/2000 Bae D9/500
D568,746 S * 5/2008 Goldsmith D9/500
D640,561 S * 6/2011 Seys D9/439
D660,703 S * 5/2012 Barsoumian D9/500
D664,852 S * 8/2012 Weber-Trinkfass D9/452

D694,626 S * 12/2013 Barsoumian D9/500
D807,190 S * 1/2018 Kuzma D9/560
D832,109 S * 10/2018 Clelland D9/542

FOREIGN PATENT DOCUMENTS

RU 68867 1/2009

OTHER PUBLICATIONS

Stonewall Kitchen Classic Greek Dressing Bottle; Stonewall Kitchen Classic Greek Dressing Bottle; 2017; pp. 1-2.

* cited by examiner

Primary Examiner — Dana Meyrow

(74) *Attorney, Agent, or Firm* — Ellen Plotkin

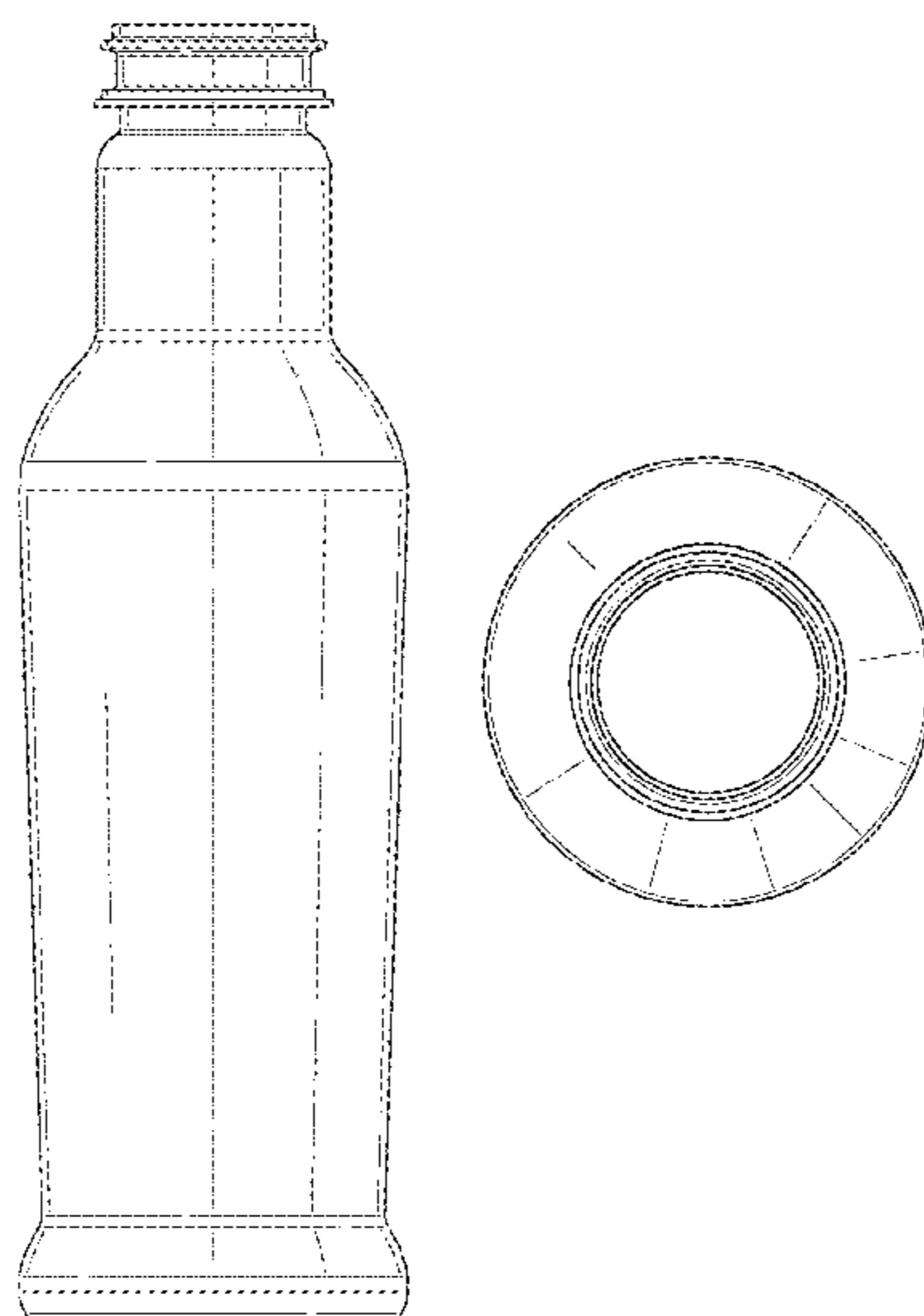
(57) **CLAIM**

The ornamental design for a bottle, as shown and described.

DESCRIPTION

FIG. 1 is a top perspective view of a bottle showing our new design;
FIG. 2 is a front elevation view thereof;
FIG. 3 is a rear elevation view thereof;
FIG. 4 is a side elevation view thereof;
FIG. 5 is a side elevation view of the opposing side thereof;
FIG. 6 is a top plan view thereof;
FIG. 7 is a top perspective view of a second embodiment of a bottle showing our new design;
FIG. 8 is a front elevation view thereof;
FIG. 9 is a rear elevation view thereof;
FIG. 10 is a side elevation view thereof;
FIG. 11 is a side elevation view of the opposing side thereof;
and,
FIG. 12 is a top plan view thereof.
The broken lines in the drawings illustrate the portions of the bottle that form no part of the claim.

1 Claim, 8 Drawing Sheets



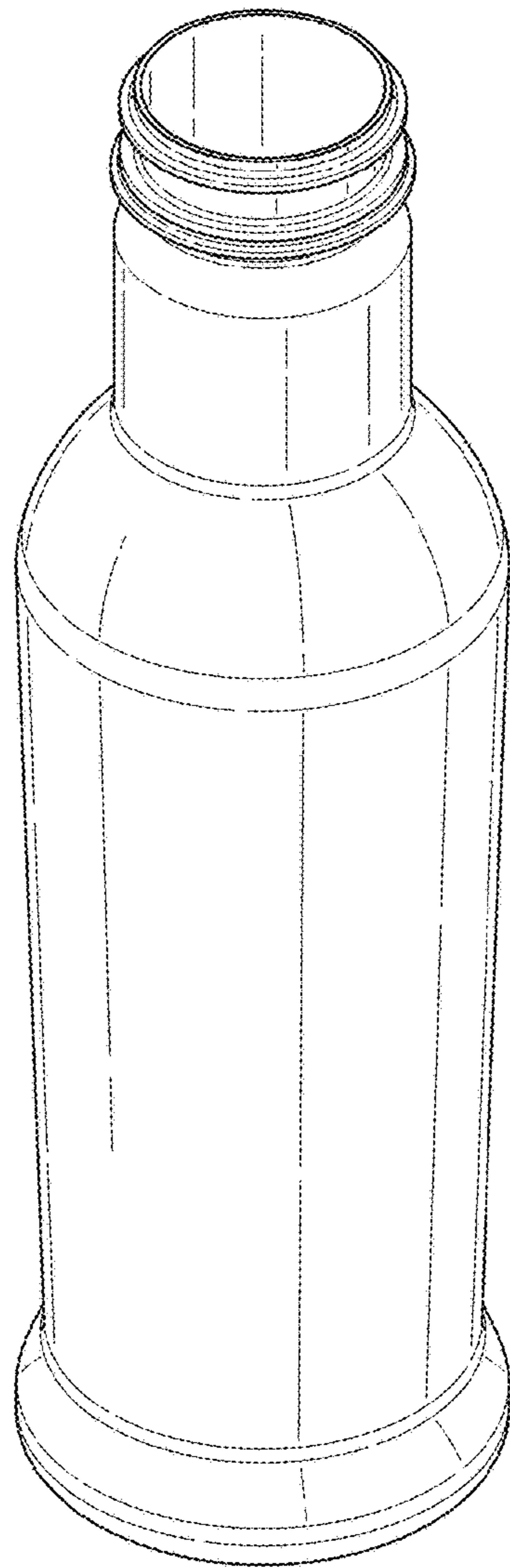


Fig. 1

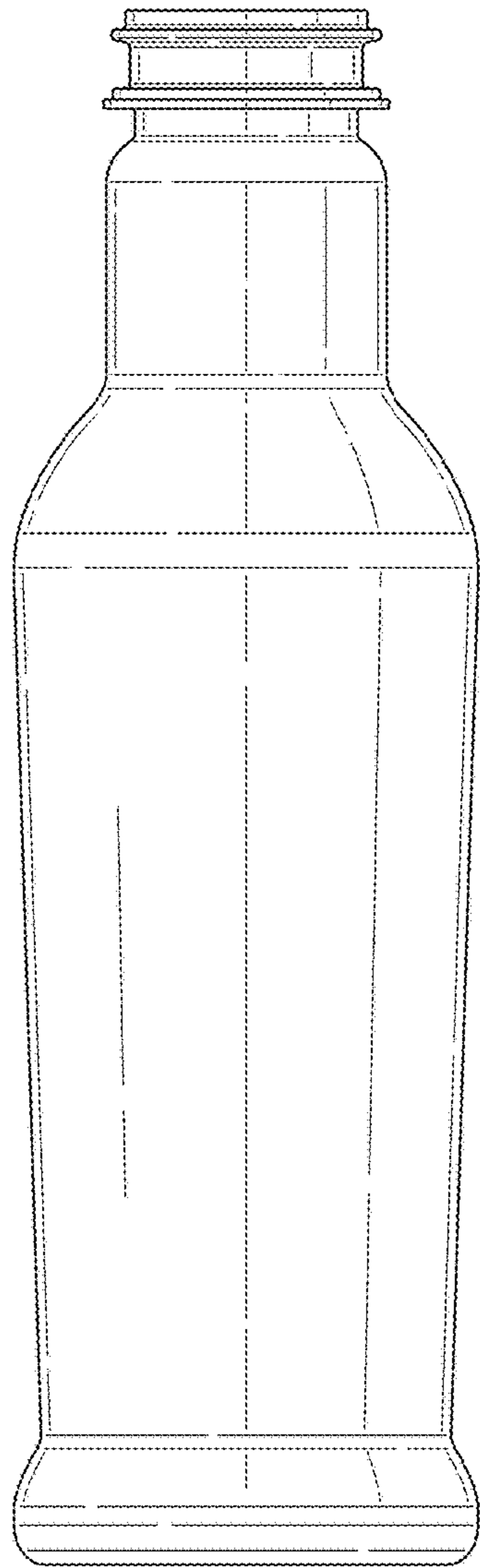


Fig. 2

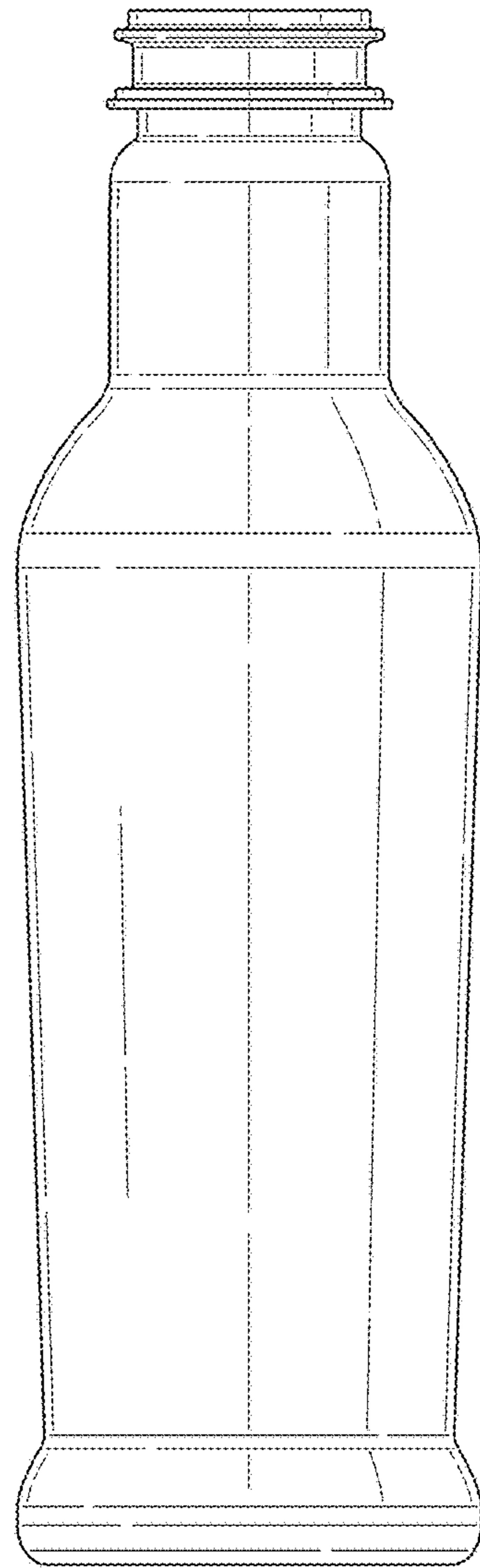


Fig. 3

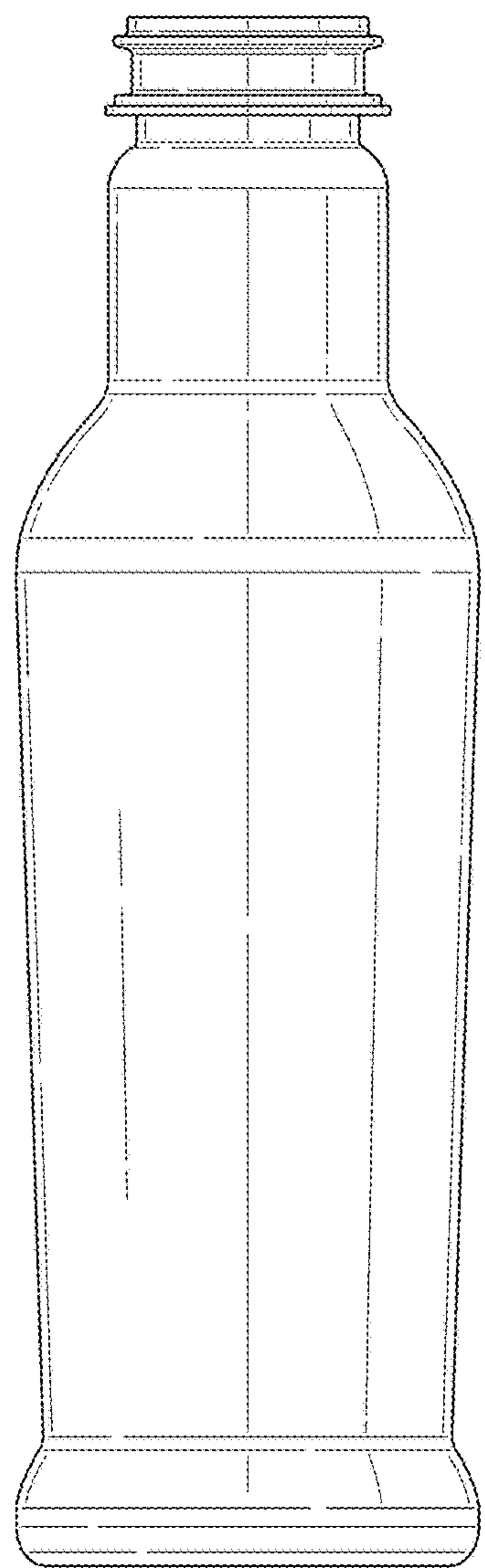


Fig. 4

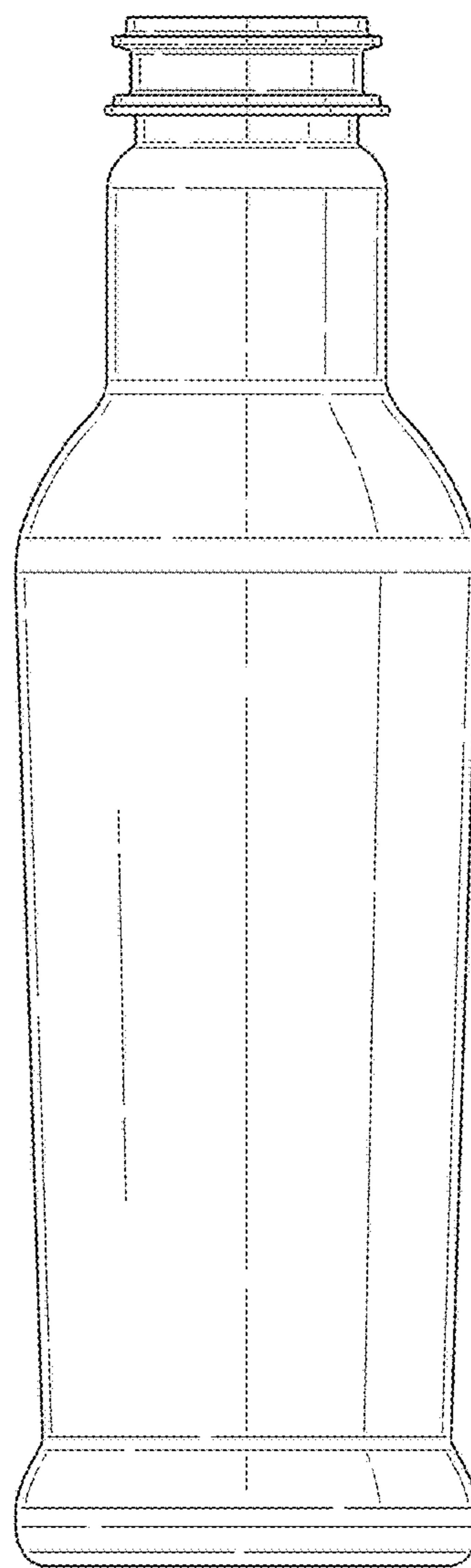


Fig. 5

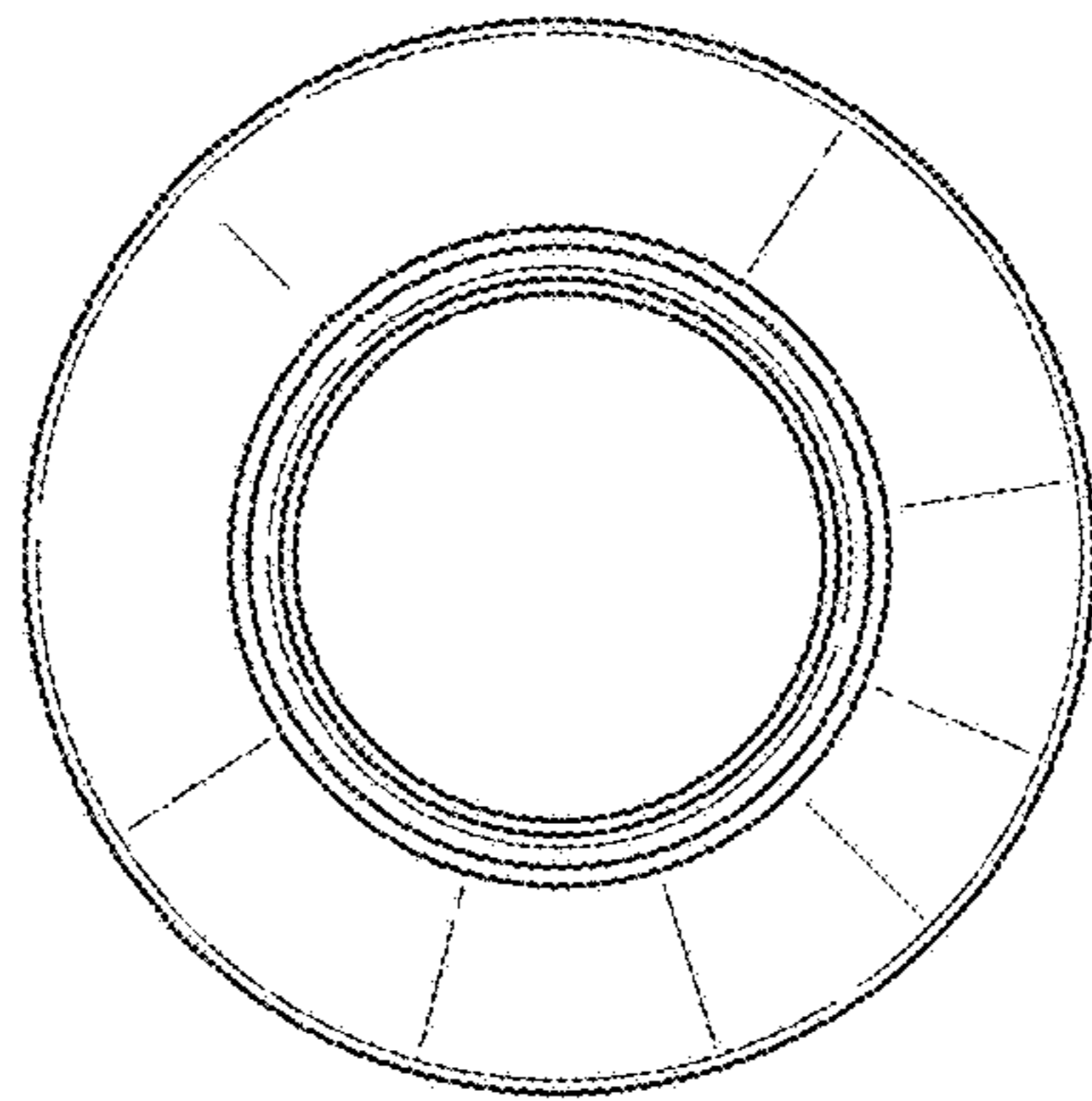


Fig. 6

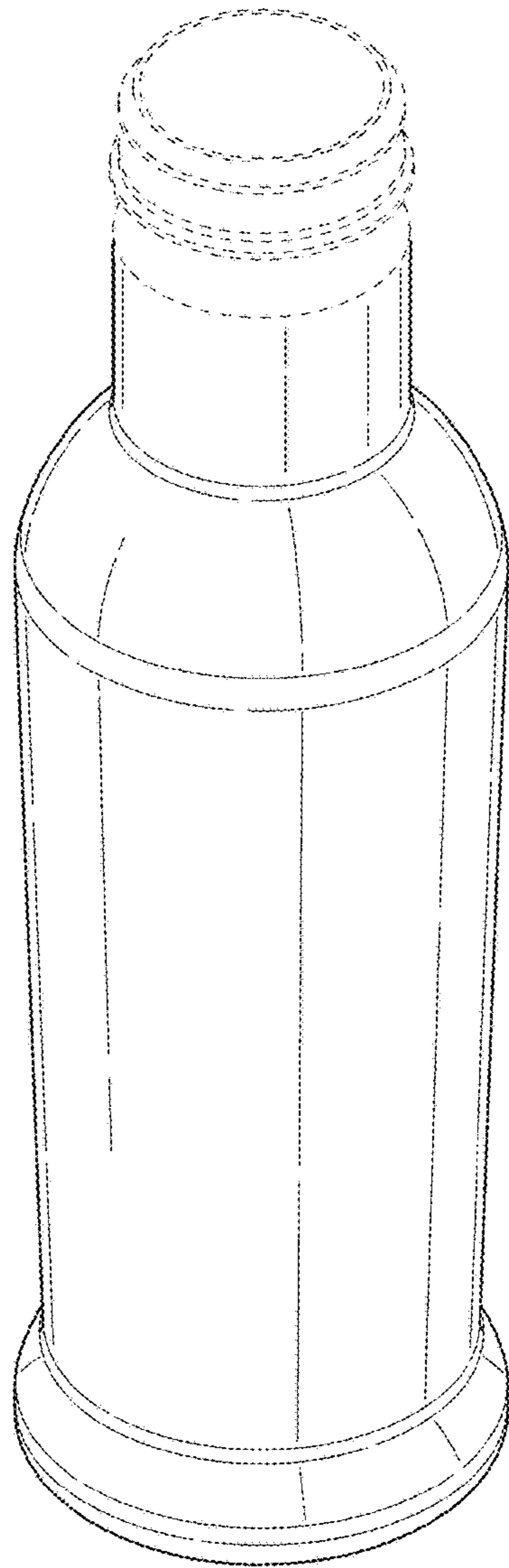


Fig. 7

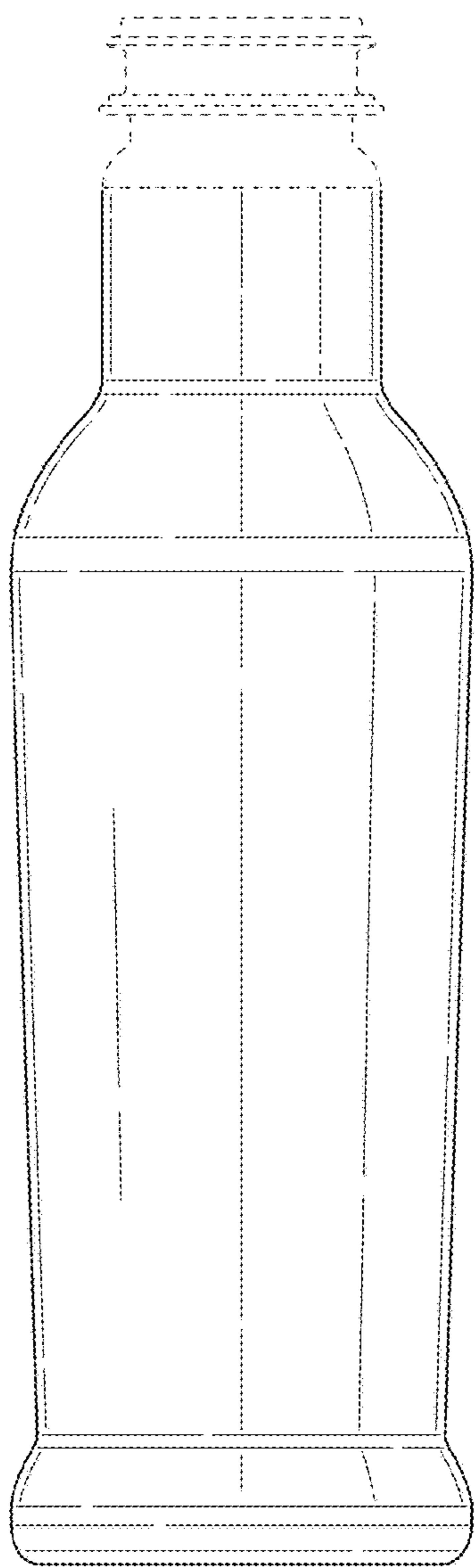


Fig. 8

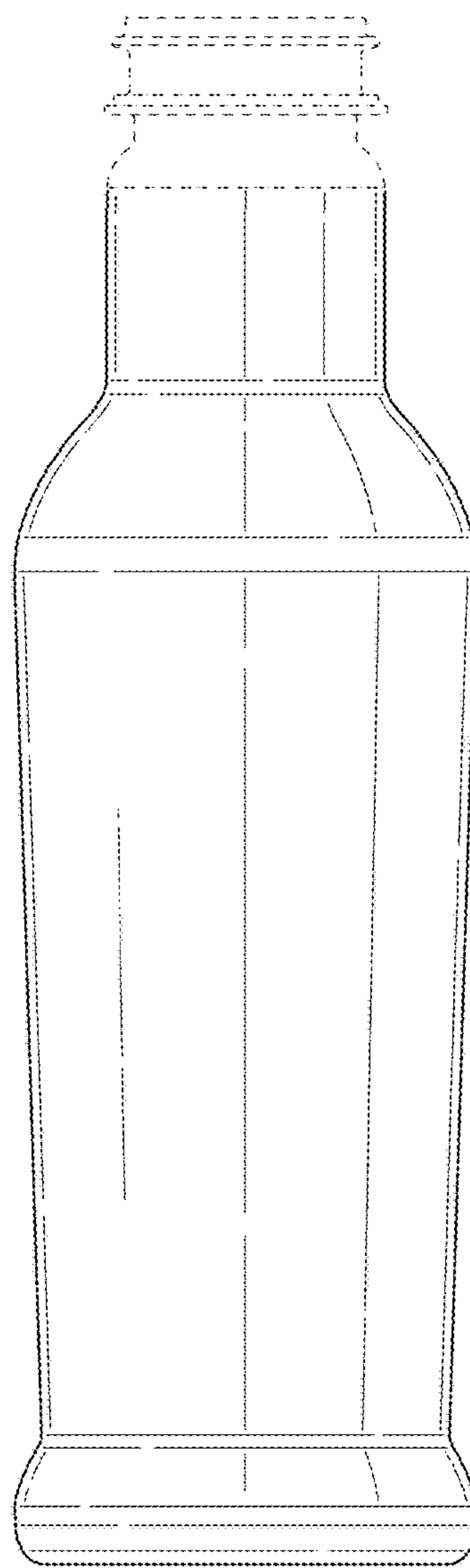


Fig. 9

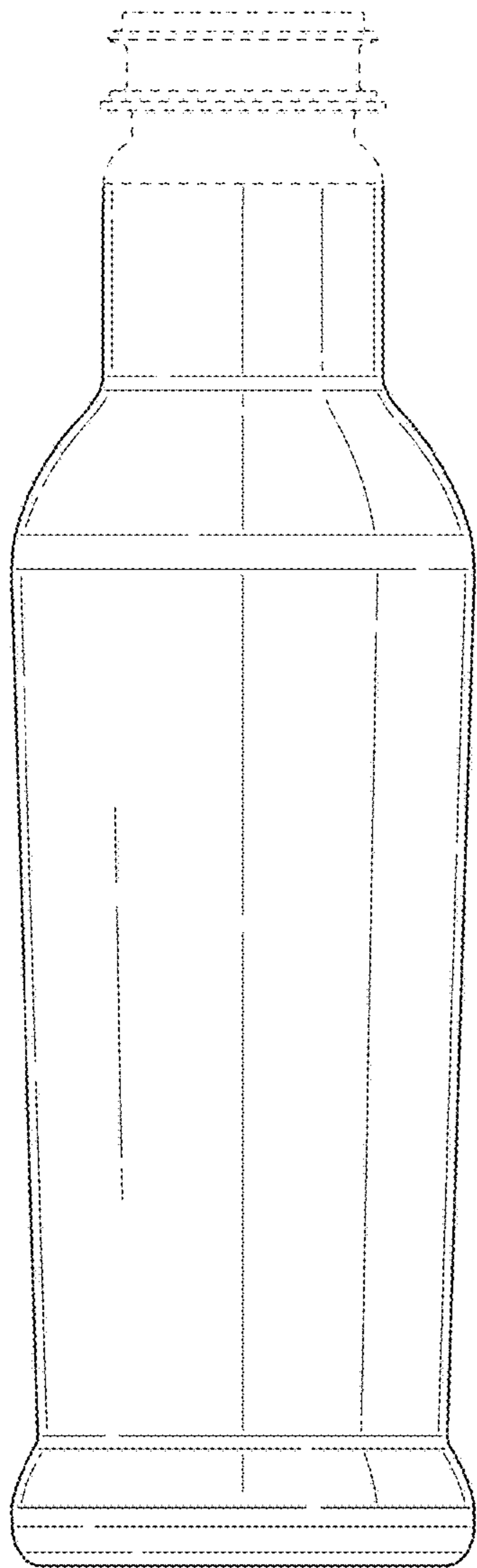


Fig. 10

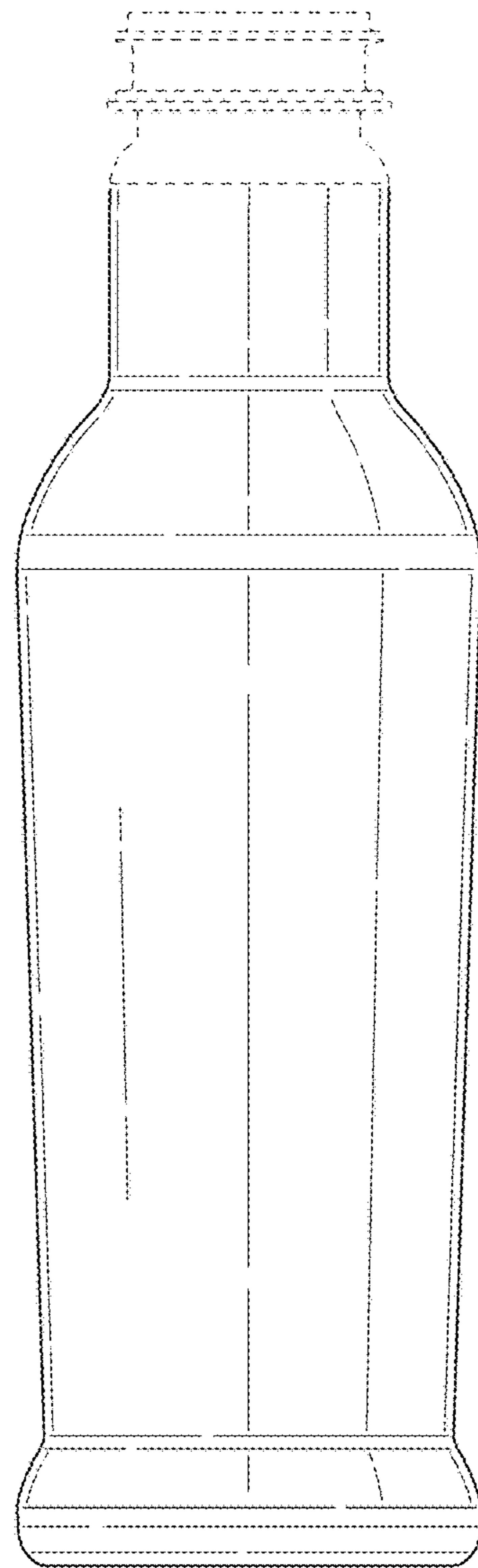


Fig. 11

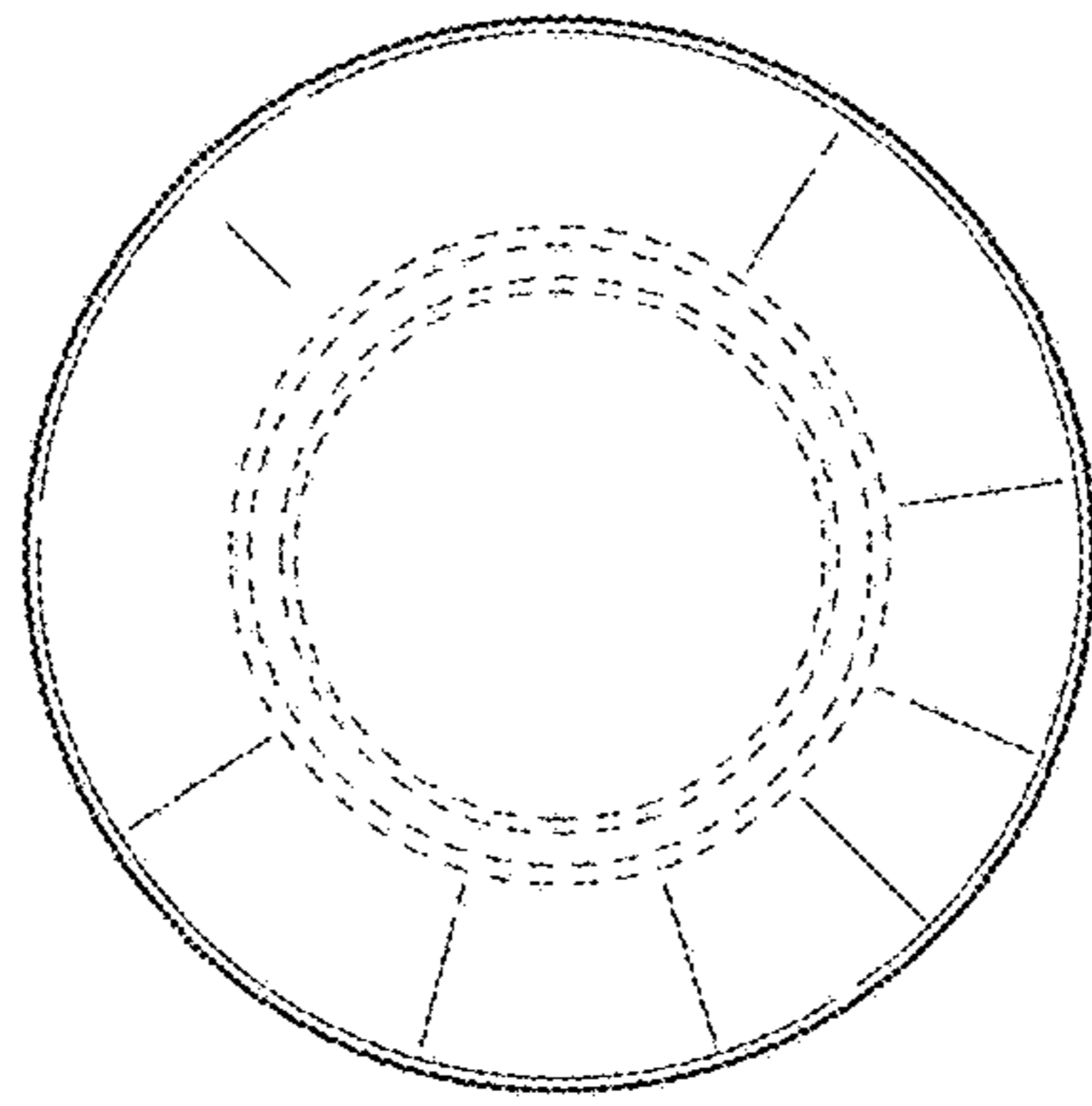


Fig. 12