



US00D850913S

(12) **United States Design Patent**
Ke

(10) **Patent No.:** **US D850,913 S**
(45) **Date of Patent:** **** Jun. 11, 2019**

- (54) **LID**
- (71) Applicant: **Seikilife (Shanghai) Housewares Co., Ltd.**, Shanghai (CN)
- (72) Inventor: **David Ke**, Shanghai (CN)
- (73) Assignee: **Seikilife (Shanghai) Housewares Co., Ltd.**, Shanghai (CN)

D536,252 S *	2/2007	Richards	D9/438
D571,199 S *	6/2008	Petrosino	D9/435
D590,661 S *	4/2009	Kitamura	D7/510
D612,238 S *	3/2010	Moreau	D9/451
D623,013 S *	9/2010	Alden	D7/409
D636,263 S *	4/2011	Phemster	D9/452
D642,431 S *	8/2011	Stott	D7/396.2
D674,289 S *	1/2013	Parodi	D9/500
D723,366 S *	3/2015	Lee	D9/434
D760,083 S *	6/2016	Rodman	D9/443
D761,103 S *	7/2016	Lebon	D9/447

- (**) Term: **15 Years**
- (21) Appl. No.: **29/616,410**
- (22) Filed: **Sep. 6, 2017**

(30) **Foreign Application Priority Data**

Aug. 21, 2017 (CN) 2017 3 0386518

(51) **LOC (11) Cl.** **09-07**

(52) **U.S. Cl.**
USPC **D9/452**

(58) **Field of Classification Search**
 USPC D7/316, 392, 392.1, 396.2, 397, 510,
 D7/533; D9/434-436, 440, 443, 445,
 D9/447, 452-454, 499; D8/300, 301,
 D8/305, 310, 312
 CPC B65D 41/00; B65D 41/38; B65D 41/56;
 B65D 41/62; B65D 47/00; B65D 47/06;
 B65D 47/08; B65D 2543/00046; B65D
 2543/00092; B65D 2543/00296; B65D
 51/28; B65D 21/0237; B65D 81/3205
 See application file for complete search history.

(56) **References Cited**

U.S. PATENT DOCUMENTS

D373,291 S *	9/1996	Auker	D7/667
D518,728 S *	4/2006	Frantz	D9/454
D534,802 S *	1/2007	German	D9/453
D536,250 S *	2/2007	Richards	D9/438

OTHER PUBLICATIONS

Etsy. Water Bottle by BedazzledBliss33. Jul. 26, 2018 [earliest online date], [site visited Aug. 29, 2018]. Available from Internet, <URL: https://www.etsy.com/listing/617928566/water-bottle?ga_order=most_relevant&ga_search_type=all&ga_view_type=gallery&ga_search_query=bling+water+bottle&ref=sr_gallery-1-19>. (Year: 2018).*

* cited by examiner

Primary Examiner — George D. Kirschbaum
Assistant Examiner — Darcey E Heflin
 (74) *Attorney, Agent, or Firm* — Wang Law Firm, Inc.

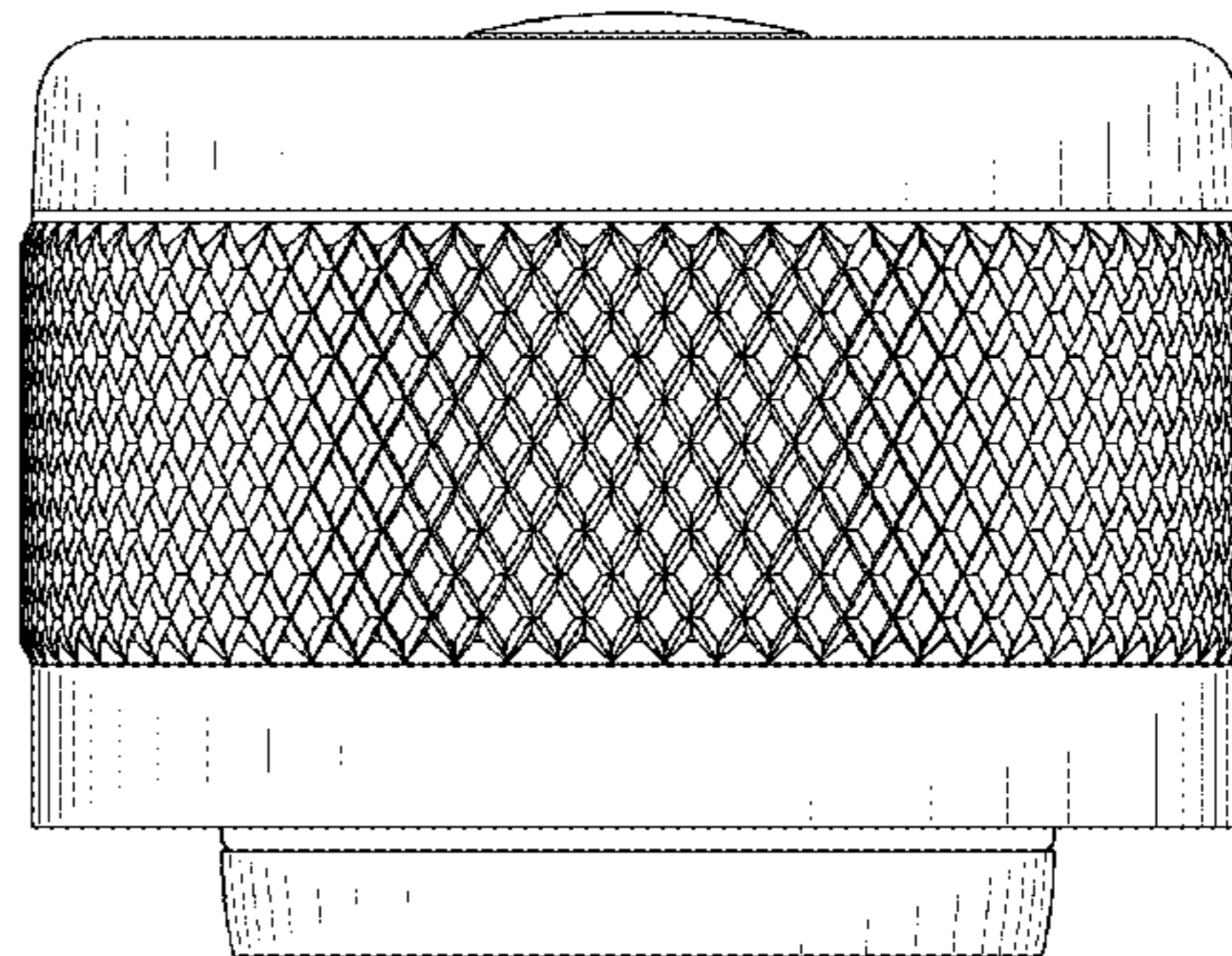
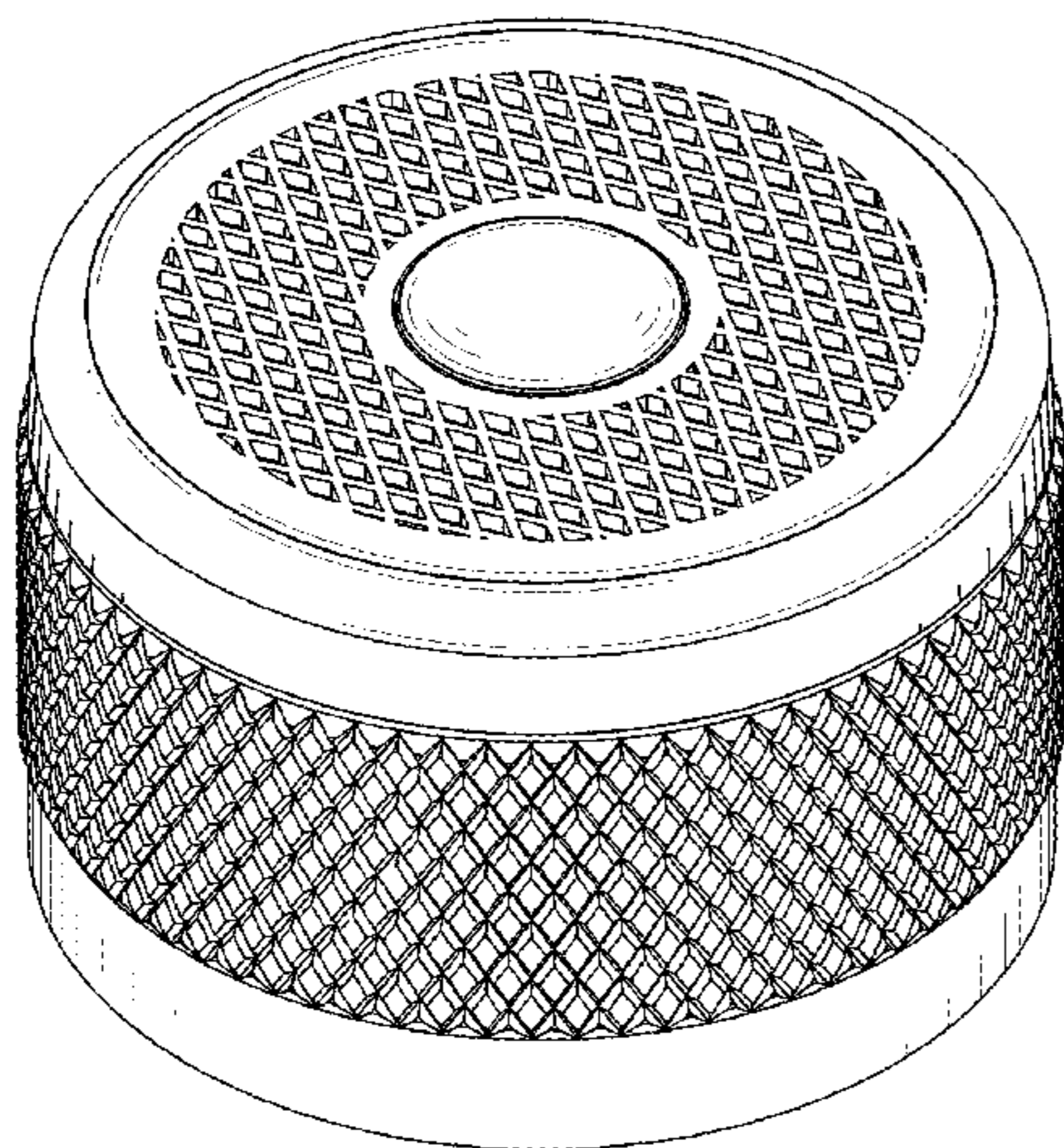
(57) **CLAIM**

The ornamental design for a lid, as shown and described.

DESCRIPTION

FIG. 1 is a perspective view showing my new design;
 FIG. 2 is a front view thereof;
 FIG. 3 is a rear view thereof;
 FIG. 4 is a left view thereof;
 FIG. 5 is a right view thereof;
 FIG. 6 is a top view thereof; and,
 FIG. 7 is a bottom view thereof.
 The broken lines depict portions of the lid that form no part of the claimed design.

1 Claim, 7 Drawing Sheets



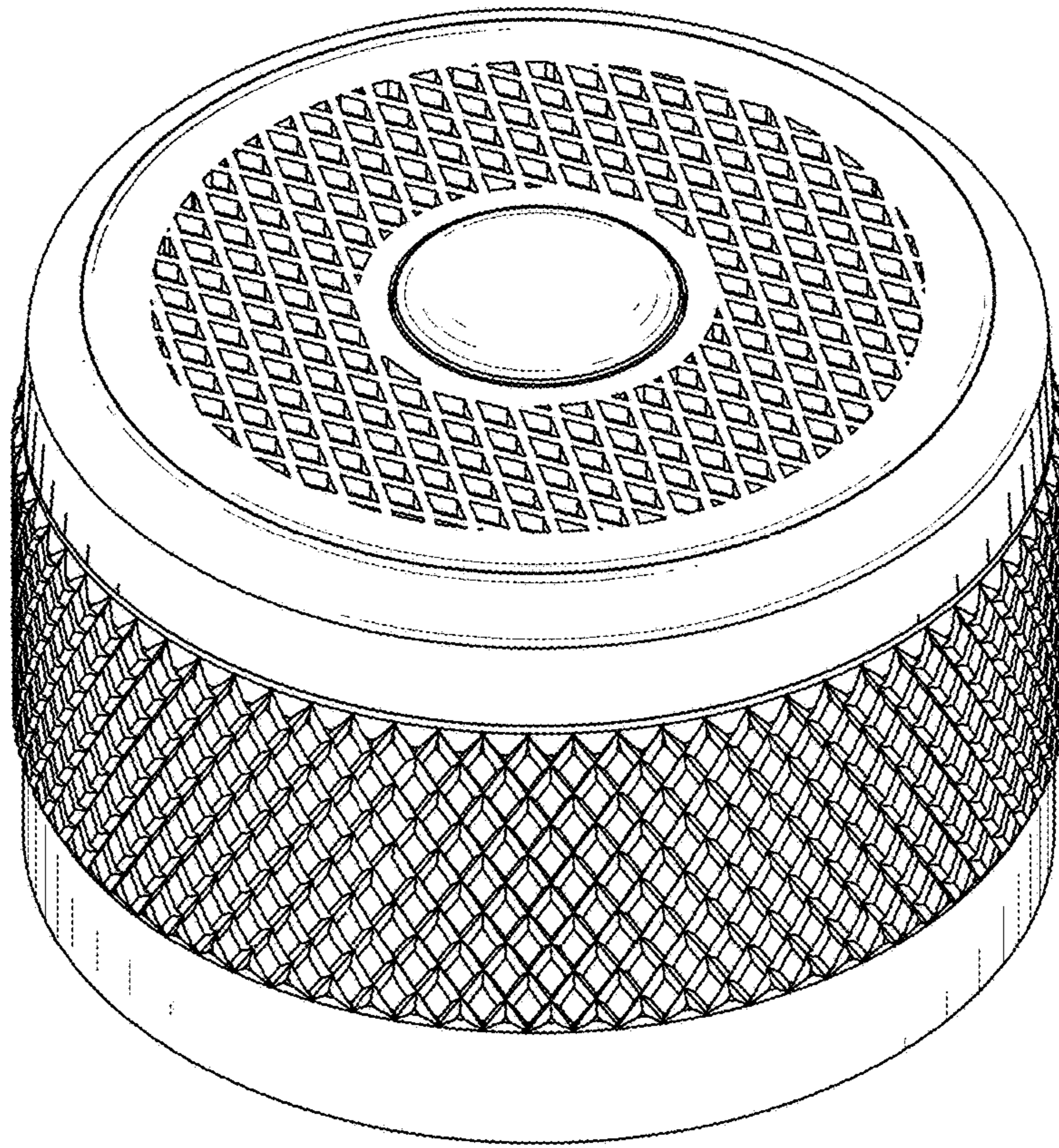


FIG. 1

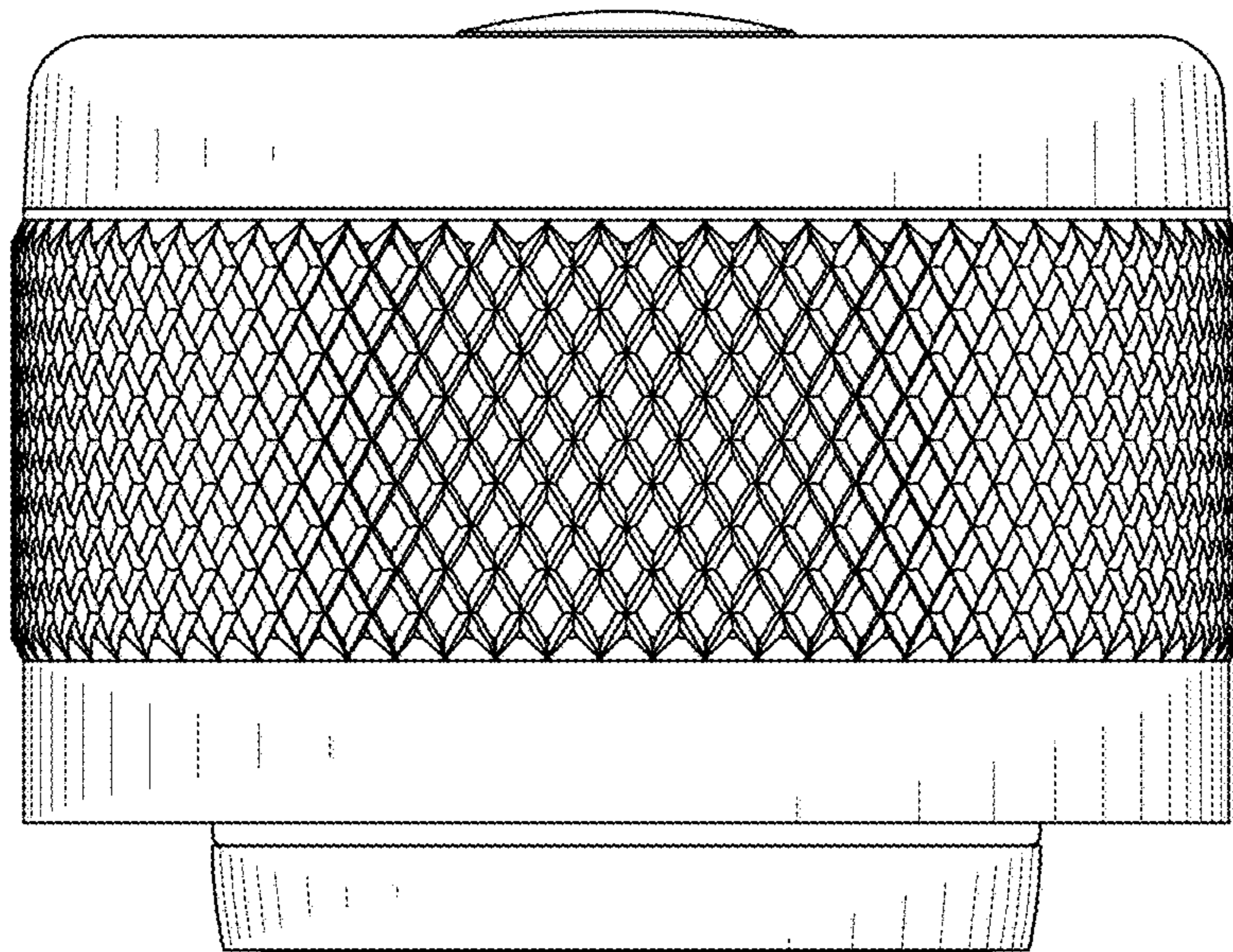


FIG. 2

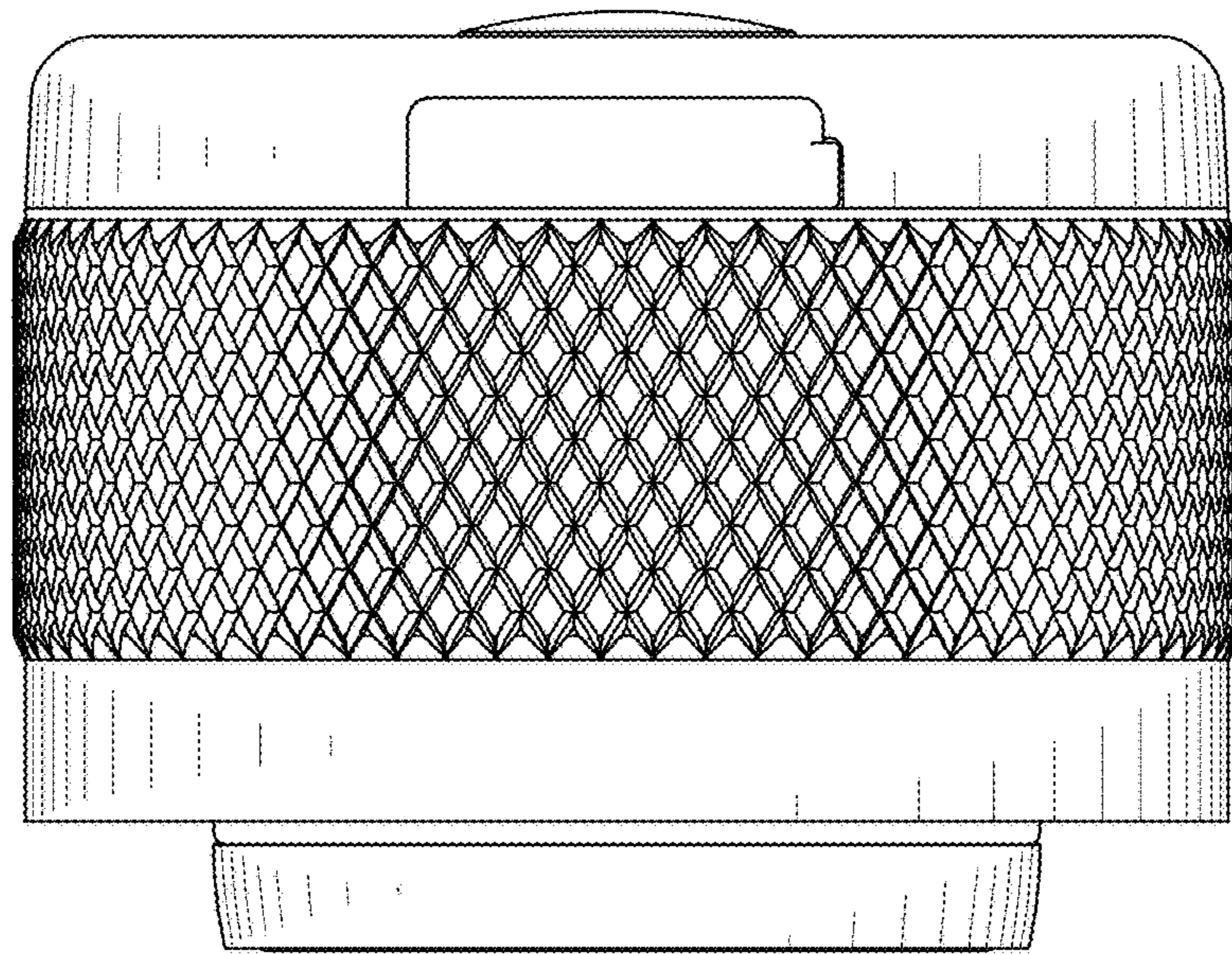


FIG. 3

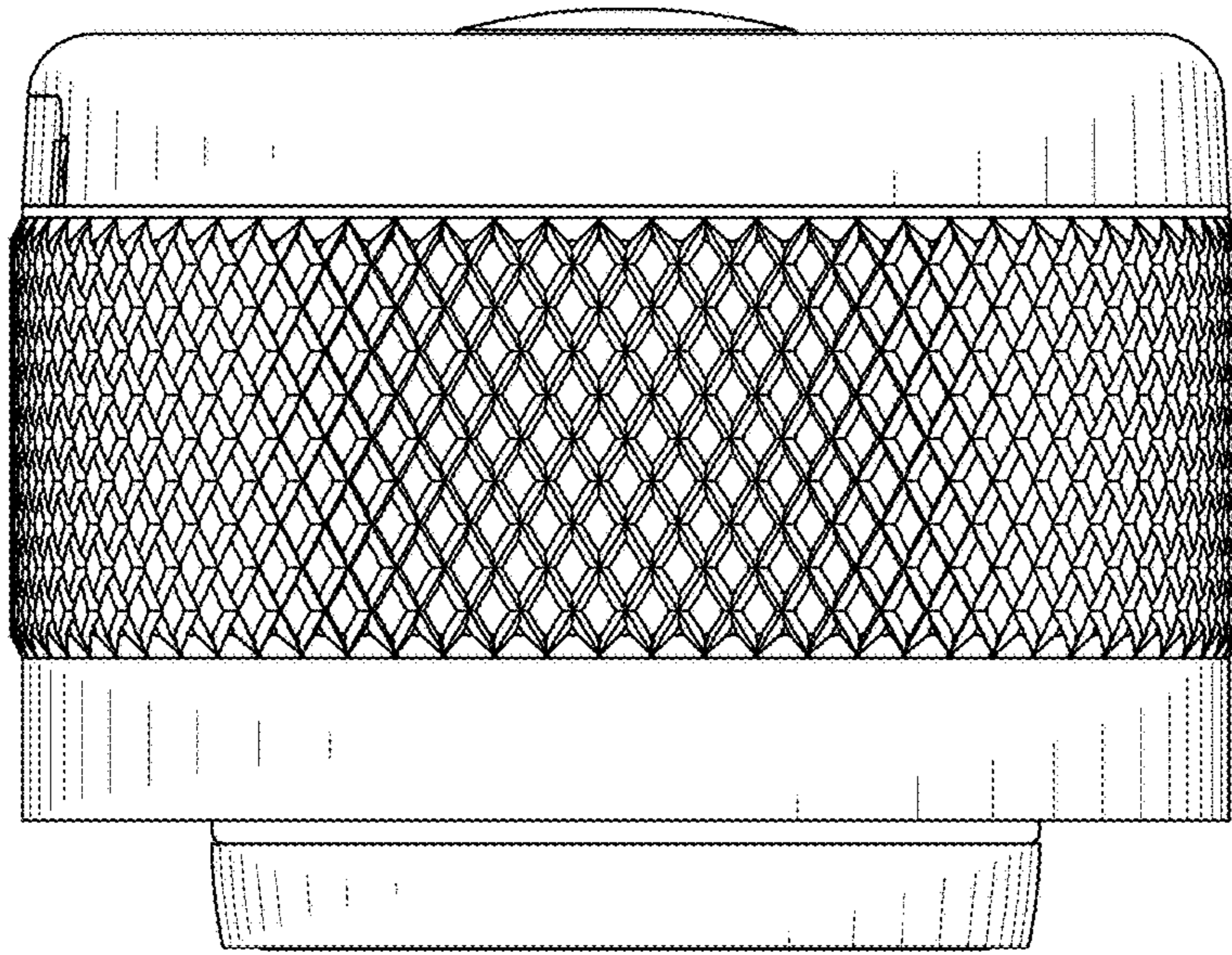


FIG. 4

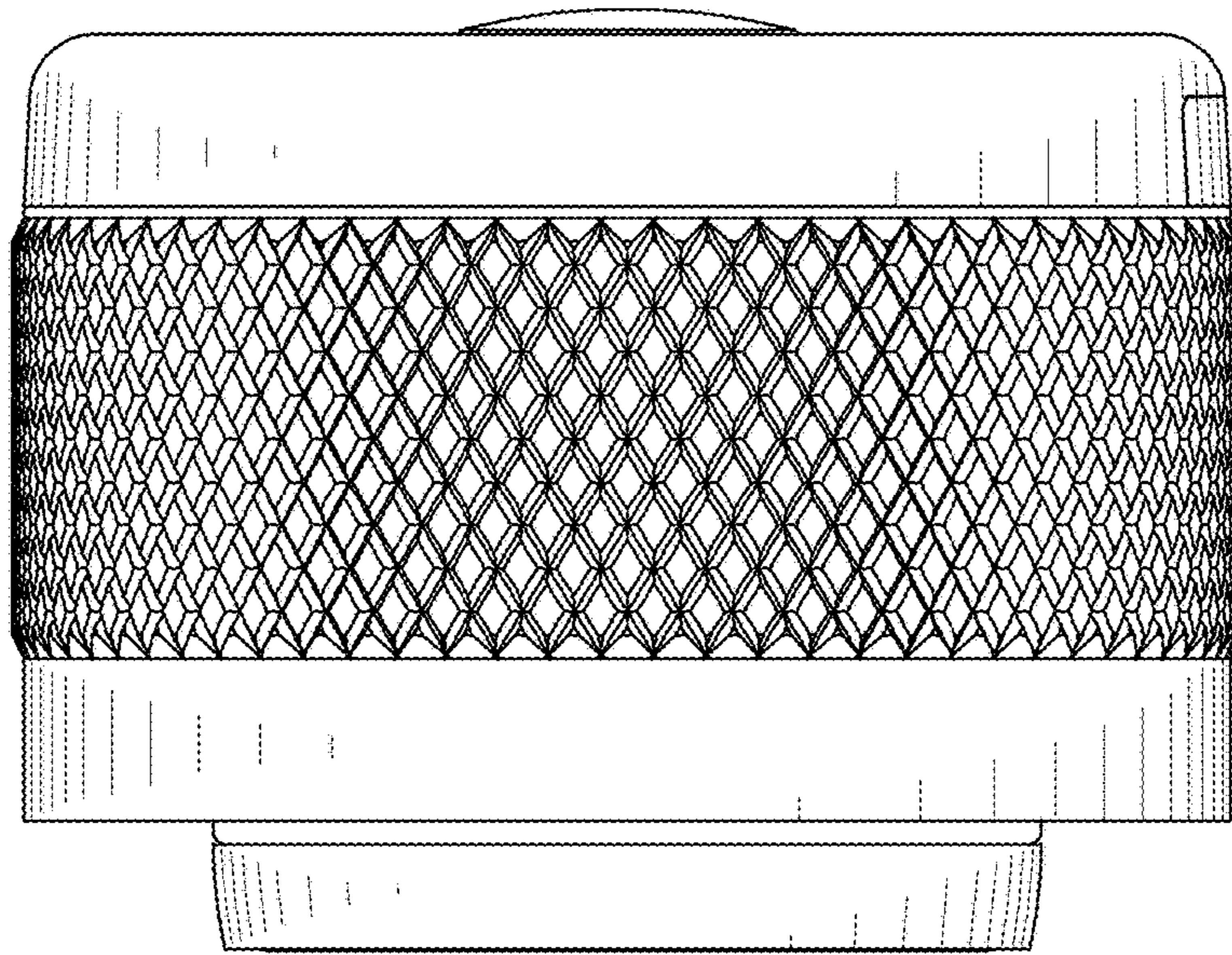


FIG. 5

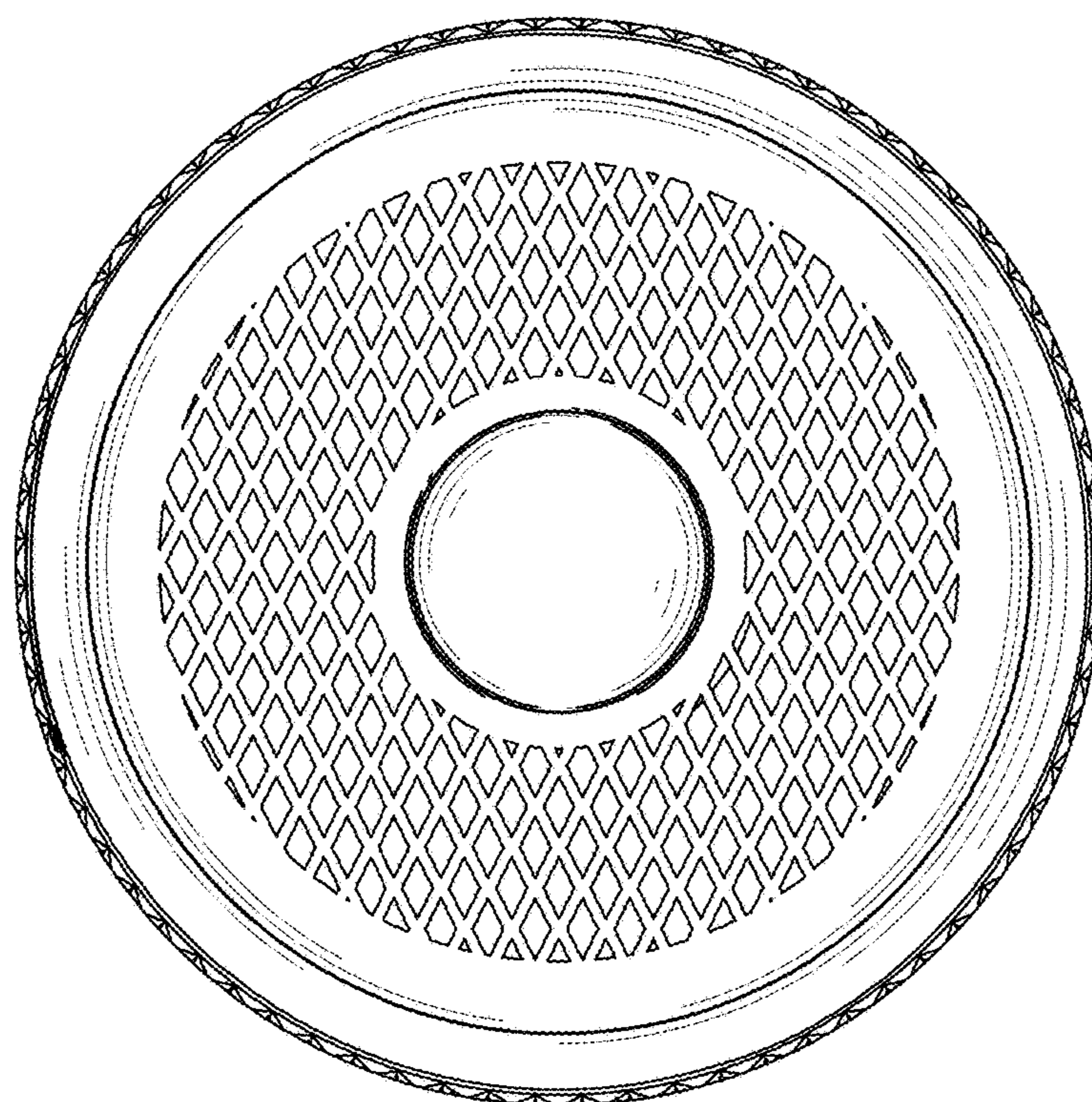


FIG. 6

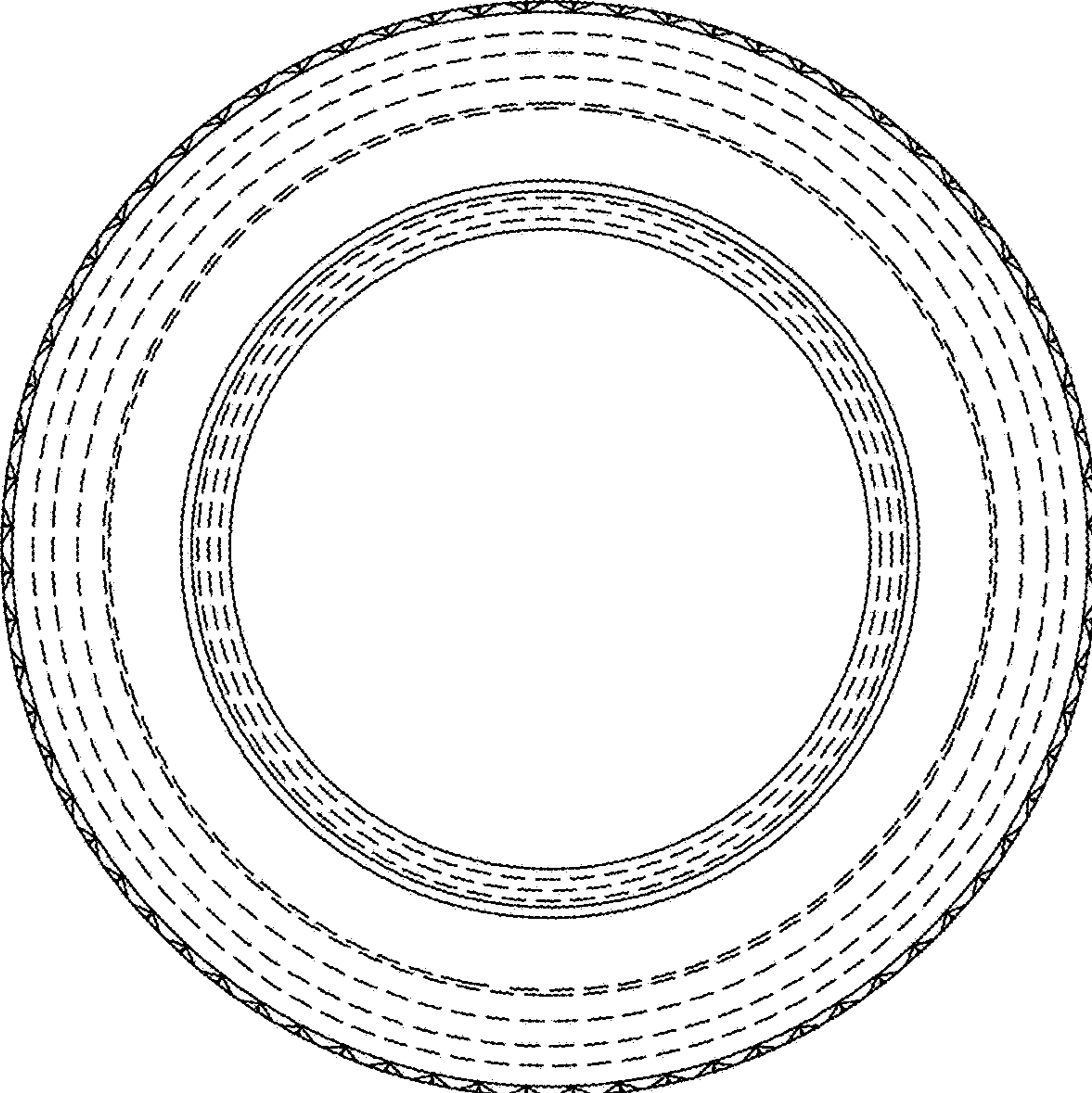


FIG. 7