



US00D850911S

(12) **United States Design Patent** (10) **Patent No.:** **US D850,911 S**  
**Holmes** (45) **Date of Patent:** **\*\* \*Jun. 11, 2019**

(54) **CLOSURE**

(71) Applicant: **Closure Systems International Inc.**,  
Lake Forest, IL (US)

(72) Inventor: **Larry Holmes**, Fishers, IN (US)

(73) Assignee: **Closure Systems International Inc.**,  
Lake Forest, IL (US)

(\*) Notice: This patent is subject to a terminal disclaimer.

(\*\*) Term: **15 Years**

(21) Appl. No.: **29/670,390**

(22) Filed: **Nov. 15, 2018**

**Related U.S. Application Data**

(62) Division of application No. 29/594,651, filed on Feb. 21, 2017, now Pat. No. Des. 838,169.

(51) **LOC (11) Cl.** ..... **09-07**

(52) **U.S. Cl.**  
USPC ..... **D9/443; D9/452**

(58) **Field of Classification Search**

USPC ..... D9/414, 415, 424, 425, 434, 435, 436, D9/443, 444-452, 454-456, 499, 529, D9/682, 685, 686; D7/387, 391, 392, D7/392.1, 396.1, 396.2, 396.3, 396.4, D7/397, 398, 401.1, 507, 509-511, 538, D7/900; D3/202, 203.2; D28/91, 91.1; D12/197; D23/249, 260  
CPC .. A61J 1/00; A61J 1/1412; B65D 1/00; B65D 1/02; B65D 1/10; B65D 1/46; B65D 2585/56; B65D 2585/545; B65D 41/00; B65D 41/38; B65D 41/56; B65D 41/62; B65D 47/00; B65D 47/06; B65D 47/08; B65D 2543/00046; B65D 2543/00092; B65D 2543/00296; B65D 5/46; B65D 2251/00

See application file for complete search history.

(56) **References Cited**

U.S. PATENT DOCUMENTS

D18,622 S \* 9/1888 Curtice ..... D9/452  
1,848,773 A \* 3/1932 Fison ..... B65D 45/32  
215/274  
1,981,414 A \* 11/1934 Hermani ..... B65D 41/0492  
215/334  
D154,204 S \* 6/1949 Jung ..... D9/453  
D198,953 S \* 8/1964 Quintal ..... D19/194

(Continued)

*Primary Examiner* — Michael A. Pratt

*Assistant Examiner* — Wendy L Arminio

(74) *Attorney, Agent, or Firm* — Nixon Peabody LLP

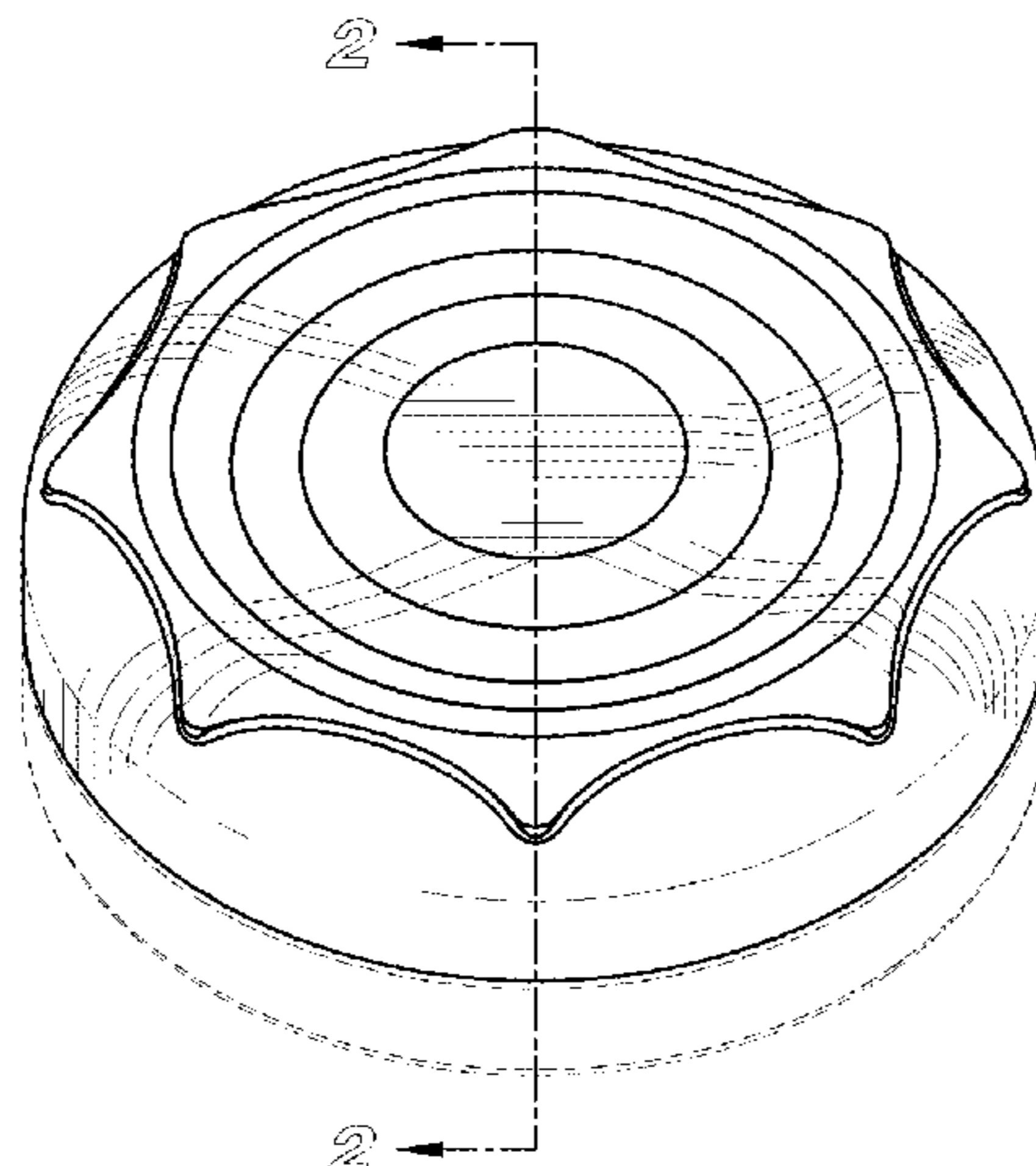
(57) **CLAIM**

The ornamental design for a closure, as shown and described.

**DESCRIPTION**

FIG. 1 is a top-perspective view of a closure;  
FIG. 2 is a side cross-sectional view of the closure of FIG. 1 taken in the direction of line 2-2;  
FIG. 3 is a bottom-perspective view of the closure of FIG. 1;  
FIG. 4 is a top plan view of the closure of FIG. 1;  
FIG. 5 is a left side elevation view of the closure of FIG. 1;  
FIG. 6 is a right side elevation view of the closure of FIG. 1;  
FIG. 7 is a front elevation view of the closure of FIG. 1;  
FIG. 8 is a back elevation view of the closure of FIG. 1; and,  
FIG. 9 is a bottom plan view of the closure of FIG. 1.  
The evenly broken lines are shown for the purpose of illustrating parts of the article that form no part of the claim. The dash-dot-dash lines represent the designation of a cross sectional view and form no part of the claimed design.

**1 Claim, 4 Drawing Sheets**



(56)

References Cited

U.S. PATENT DOCUMENTS

3,204,801 A \* 9/1965 Switzgable, Jr. .... B65D 45/32  
 215/274  
 D231,774 S \* 6/1974 McLaughlin ..... 222/402.13  
 D252,208 S \* 6/1979 Ooya ..... D16/219  
 4,290,466 A \* 9/1981 Villa ..... B65D 75/5872  
 206/216  
 D273,942 S \* 5/1984 Brueck ..... D9/434  
 D276,872 S \* 12/1984 Williams ..... D28/91  
 D294,680 S \* 3/1988 Pappert ..... D9/435  
 D353,357 S \* 12/1994 Weinberg ..... D12/197  
 D354,914 S \* 1/1995 Newman ..... D9/453  
 D397,320 S \* 8/1998 Hoagland, IV ..... D12/197  
 6,047,710 A \* 4/2000 Irving ..... A45C 13/008  
 132/293  
 D451,361 S \* 12/2001 Yang ..... D8/307  
 D467,803 S \* 12/2002 Brown ..... D9/435  
 D478,780 S \* 8/2003 Lugo ..... D7/566  
 D529,804 S \* 10/2006 Lohrman ..... D9/453

D544,425 S \* 6/2007 Hutchison ..... D12/197  
 D560,095 S \* 1/2008 Bodum ..... D7/387  
 D566,640 S \* 4/2008 Holz ..... D12/197  
 D622,124 S \* 8/2010 Kegg ..... D8/83  
 8,087,528 B1 \* 1/2012 Scarlett ..... A47G 23/0216  
 220/23.89  
 D662,869 S \* 7/2012 Ballard ..... D12/213  
 D673,005 S \* 12/2012 Lion ..... D7/354  
 D681,459 S \* 5/2013 Ramsey ..... D9/452  
 D684,455 S \* 6/2013 Relyea ..... D8/397  
 D698,260 S \* 1/2014 Phelps ..... D9/682  
 D710,699 S \* 8/2014 Phelps ..... D9/452  
 D755,633 S \* 5/2016 Baughman ..... D9/452  
 D756,280 S \* 5/2016 Davito ..... D12/197  
 D760,345 S \* 6/2016 Campbell ..... D23/206  
 D763,696 S \* 8/2016 Eisen ..... D9/443  
 D784,240 S \* 4/2017 Platto ..... D12/213  
 D803,685 S \* 11/2017 Kaye ..... D9/453  
 D830,172 S \* 10/2018 Holmes ..... D9/443  
 2015/0129600 A1 \* 5/2015 Akers ..... B44D 3/127  
 220/700

\* cited by examiner

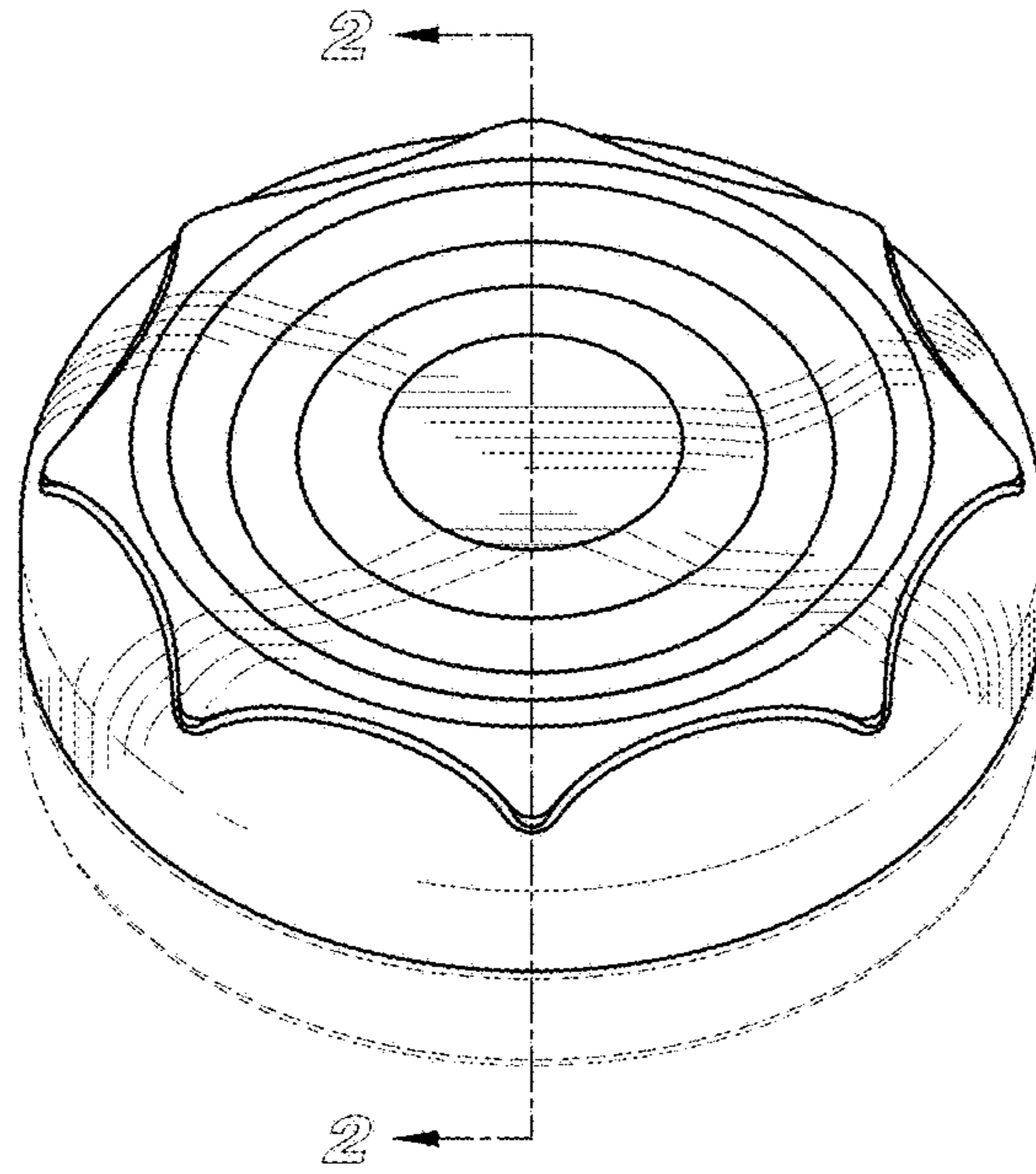


FIG. 1

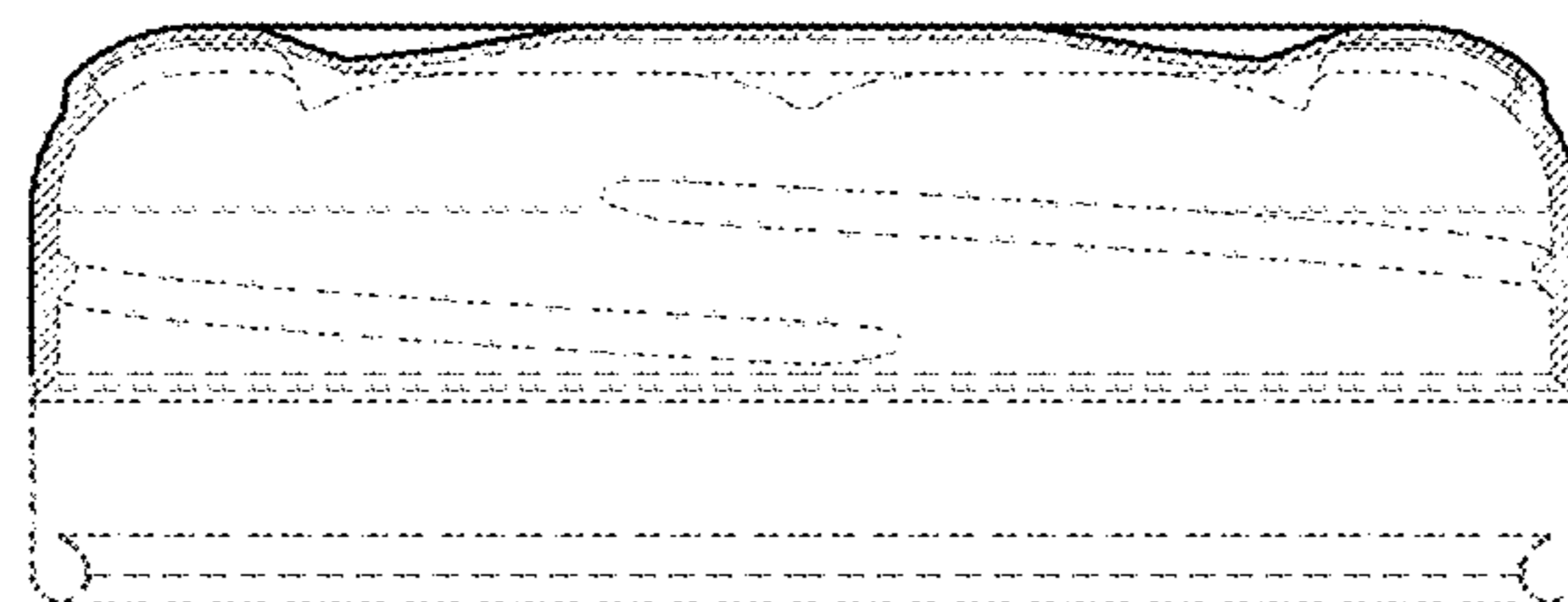


FIG. 2

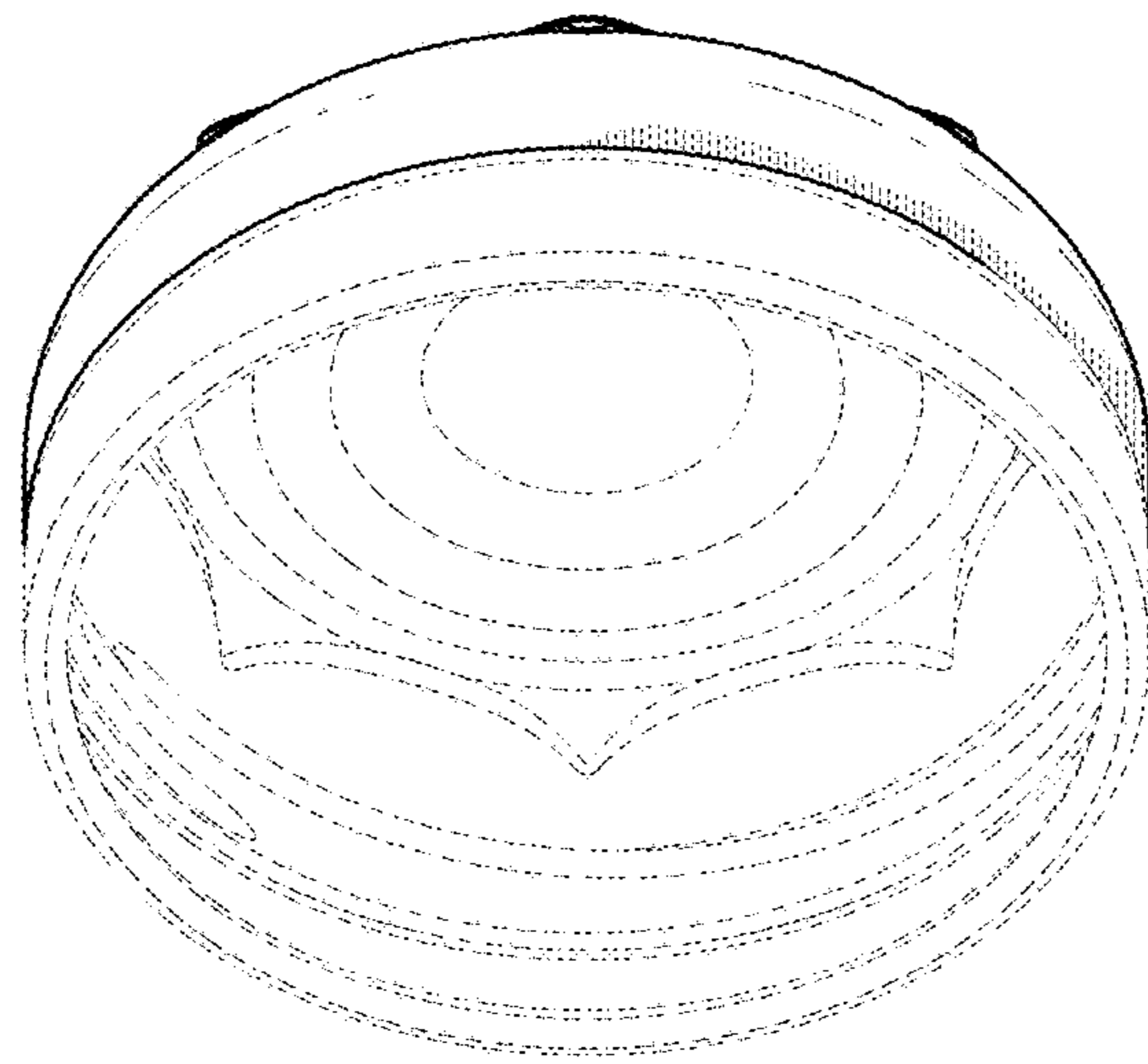


FIG. 3

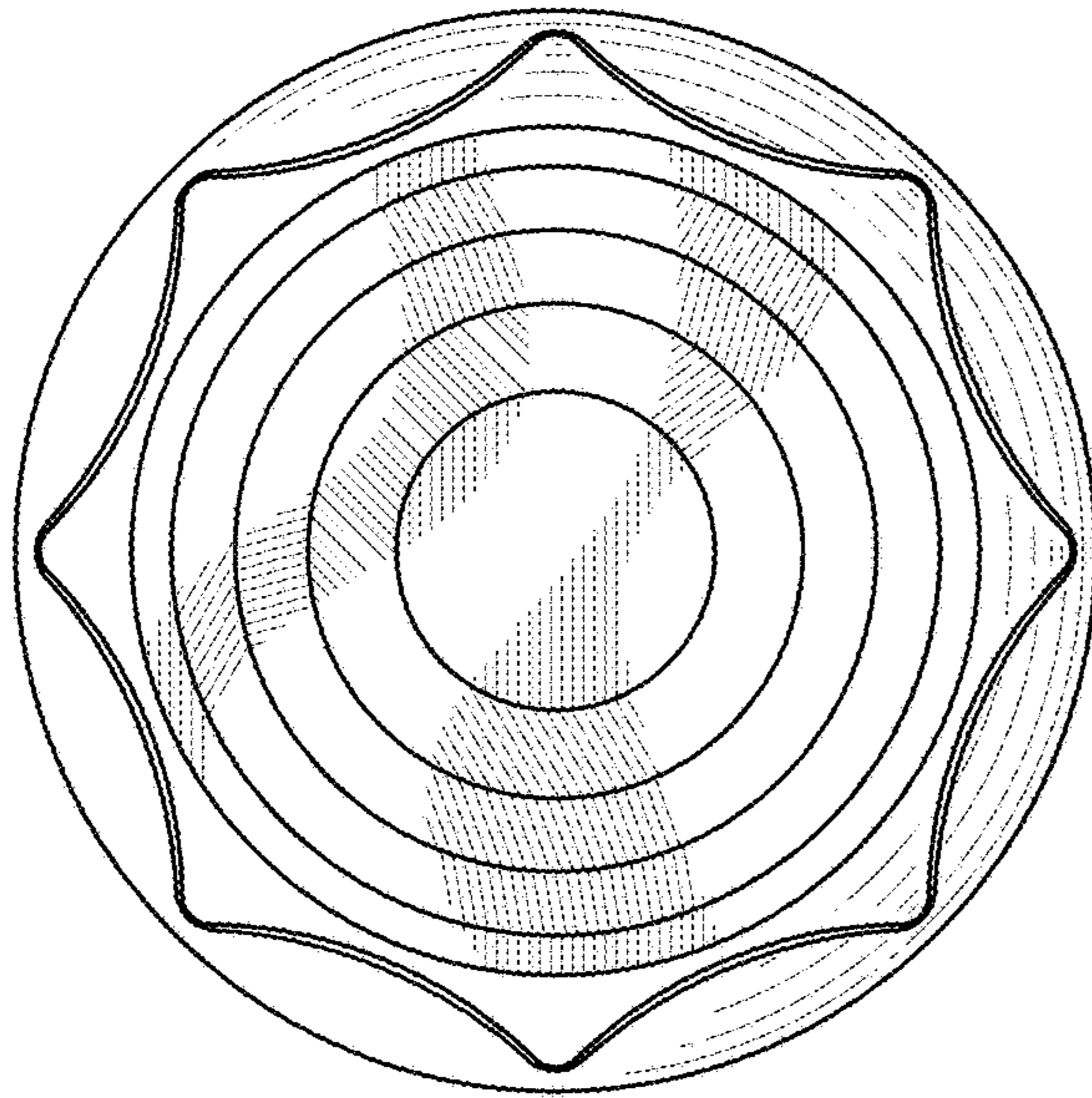


FIG. 4

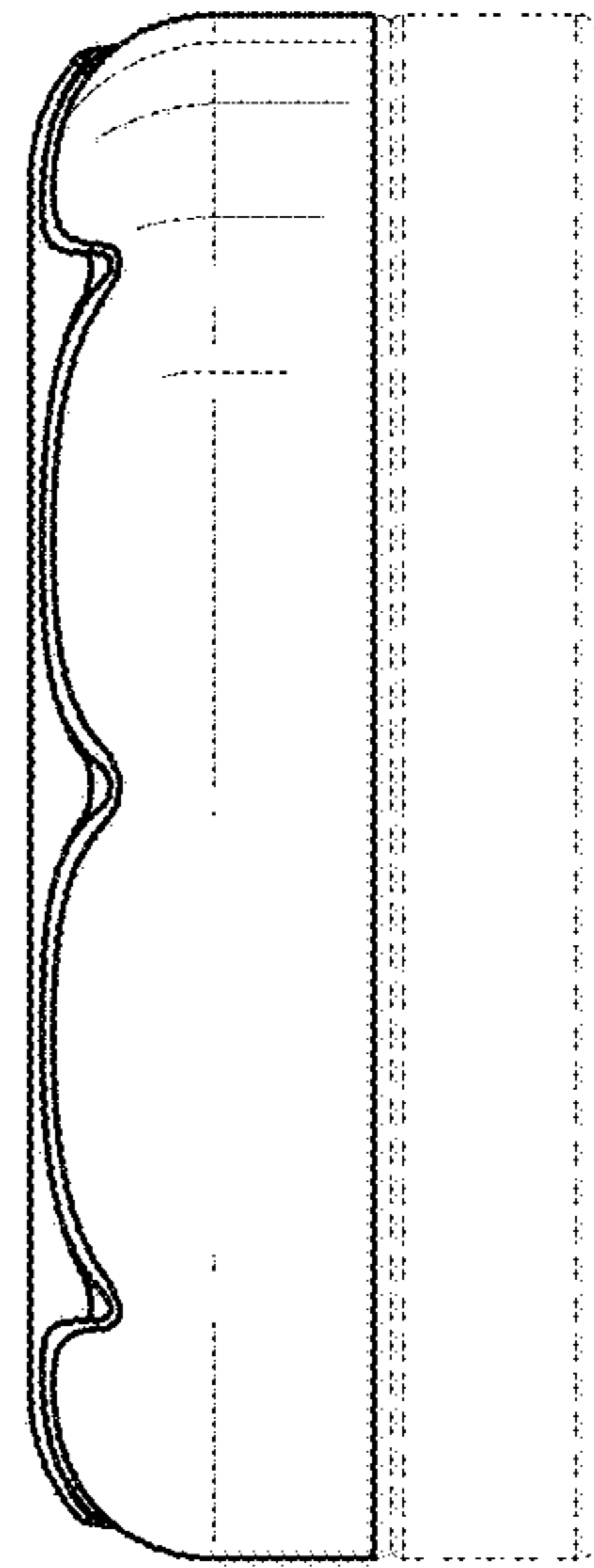


FIG. 6

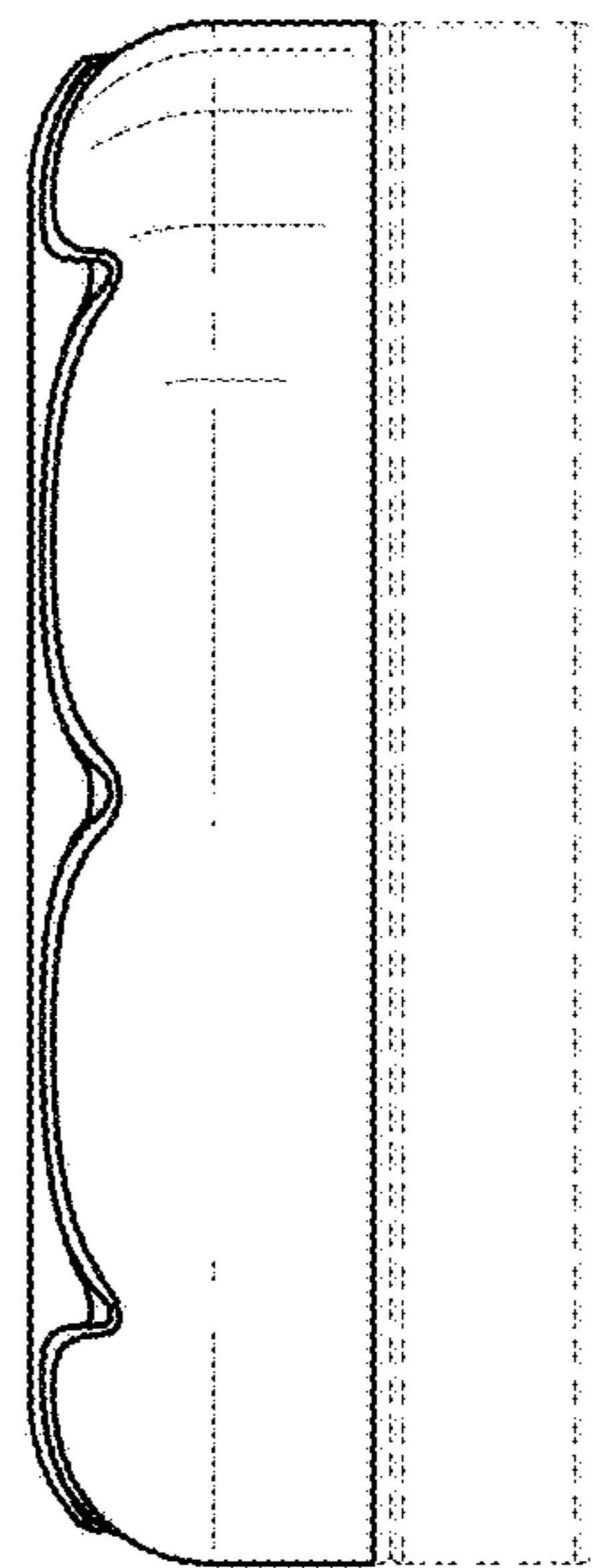


FIG. 5

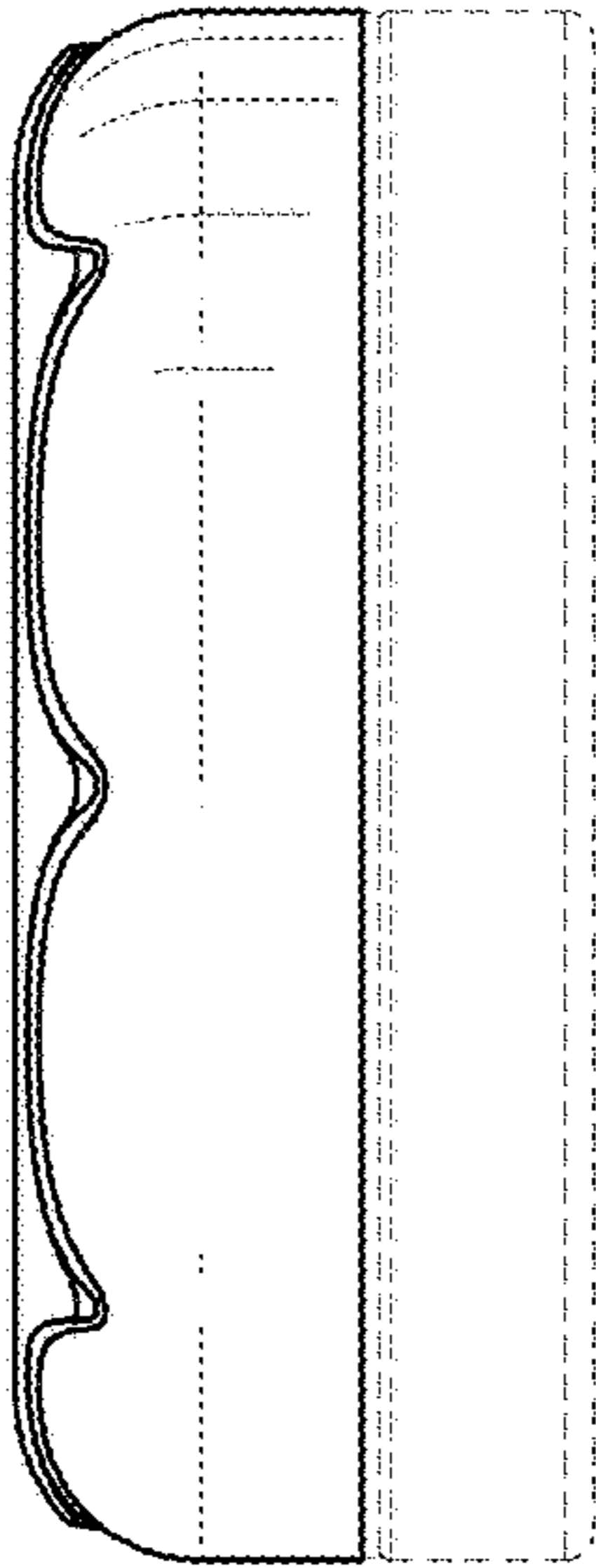


FIG. 8

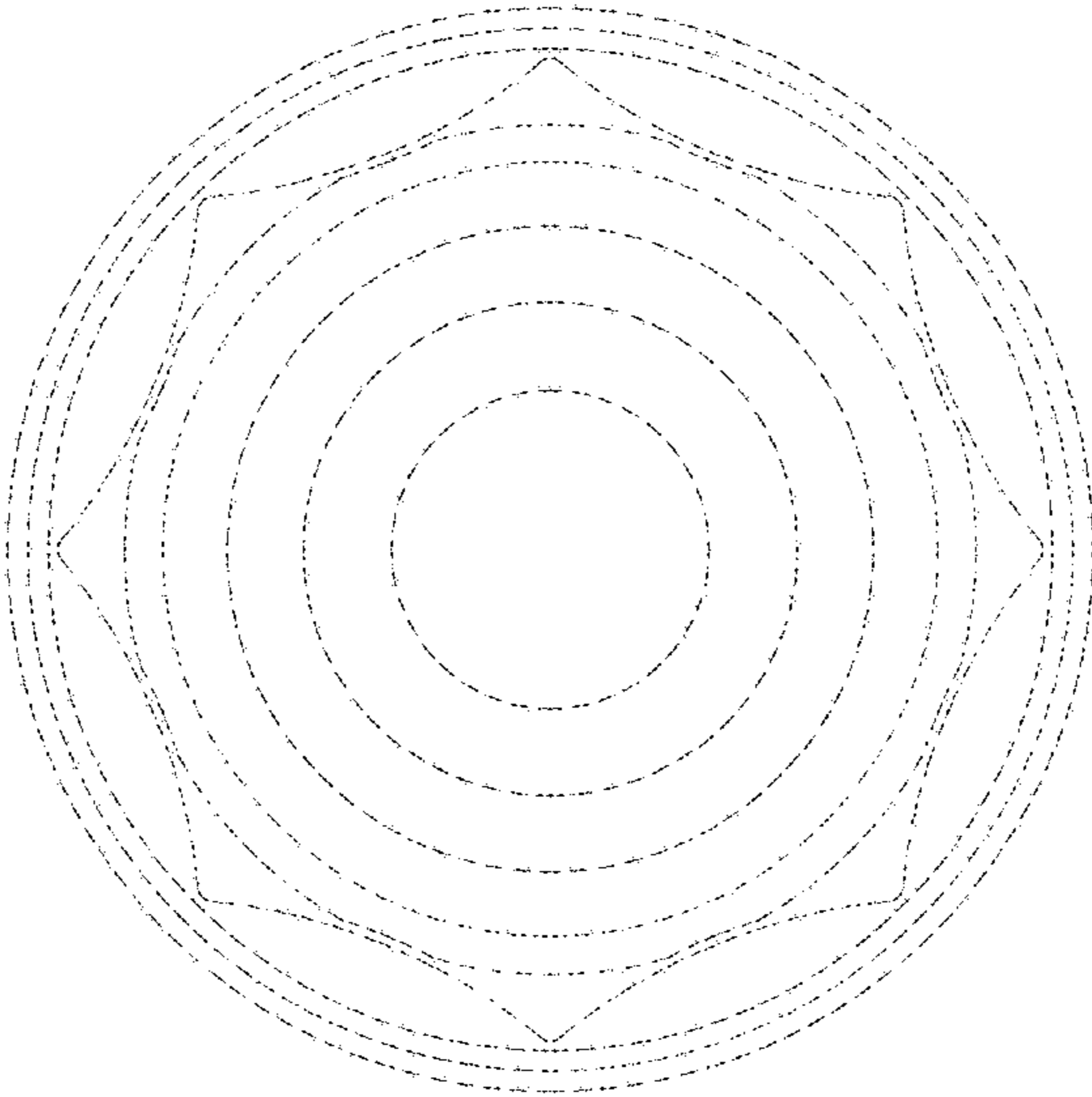


FIG. 9

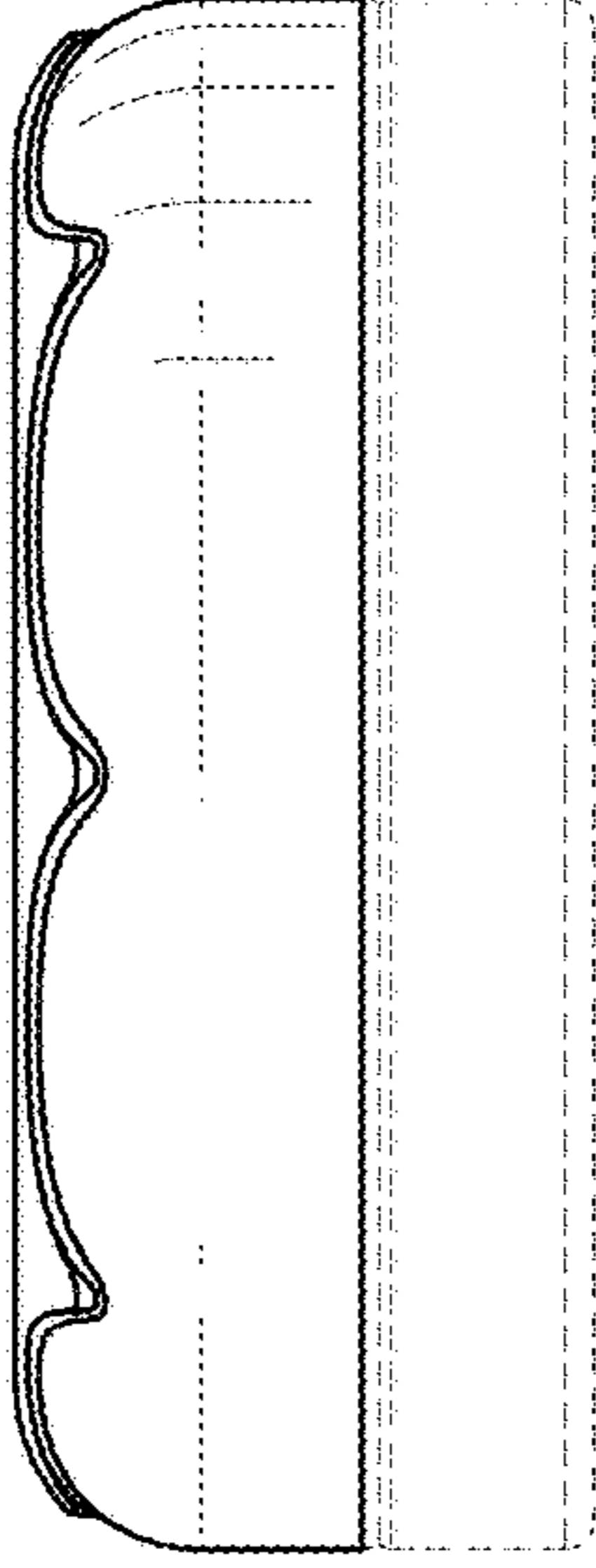


FIG. 7