



US00D850908S

(12) **United States Design Patent**  
**Perella et al.**

(10) **Patent No.:** **US D850,908 S**  
(45) **Date of Patent:** **\*\* Jun. 11, 2019**

(54) **FOLDABLE STORAGE BOX**

- (71) Applicant: **IdeaStream Consumer Products, LLC**, Cleveland, OH (US)
- (72) Inventors: **Daniel V. Perella**, Cleveland, OH (US); **Benjamin Hietanen**, Cleveland, OH (US); **Zhenghong Li**, Shenzhen (CN); **Jensen Tuen**, Fanling (HK); **Jinyuan Li**, Shenzhen (CN)
- (73) Assignee: **IdeaStream Consumer Products, LLC**, Cleveland, OH (US)

(\*\*) Term: **15 Years**

(21) Appl. No.: **29/611,992**

(22) Filed: **Jul. 27, 2017**

(51) **LOC (11) Cl.** ..... **09-03**

(52) **U.S. Cl.**  
USPC ..... **D9/432; D9/433**

(58) **Field of Classification Search**  
USPC ..... D9/414-420, 421-432, 442, 433, 434, D9/721-722; D7/601, 602, 612, 709; D3/273, 304, 309-313, 290, 305, 315; D20/10, 22, 27, 40, 42  
CPC ..... B65D 5/00; B65D 5/001; B65D 5/0015; B65D 5/0227-5/0254; B65D 5/18; B65D 5/38; B65D 5/40; B65D 5/2033; B65D 1/22; B65D 1/24; B65D 1/34; B65D 71/16;

(Continued)

(56) **References Cited**

**U.S. PATENT DOCUMENTS**

- 3,404,829 A \* 10/1968 Stone ..... B65D 5/6661 229/120.05
- 4,620,666 A \* 11/1986 Lacasa ..... B65D 5/2033 229/110
- D433,630 S \* 11/2000 Lubineau-Bigot ..... D9/416

(Continued)

**OTHER PUBLICATIONS**

Custom Printed Rigid Foldable Gift Box Cardboard Paper Collapsible Box. Online, published date unknown. Retrieved on Oct. 11, 2018 from URL: <http://www.giftpaperbox.com/sale-5807121-custom-printed-rigid-foldable-gift-box-cardboard-paper-collapsible-box.html>.\*

*Primary Examiner* — Susan Bennett Hattan  
*Assistant Examiner* — Omeed Agilee  
(74) *Attorney, Agent, or Firm* — Fay Sharpe LLP

(57) **CLAIM**

The ornamental design for a foldable storage box, as shown and described.

**DESCRIPTION**

FIG. 1 is a perspective view of a foldable storage box in an unfolded or flattened configuration of the present application;  
 FIG. 2 is a perspective view of the foldable storage box of FIG. 1 in a partially unfolded configuration;  
 FIG. 3 is a perspective view of the foldable storage box of FIG. 1 in an unfolded but flattened configuration;  
 FIG. 4 is a perspective view of the foldable storage box of FIG. 1 in a partially folded configuration;  
 FIG. 5 is a perspective view of the foldable storage box of FIG. 1 in a folded but open configuration;  
 FIG. 6 is a perspective view of the foldable storage box of FIG. 1 in a folded and closed configuration;  
 FIG. 7 is a front elevation view of the foldable storage box of FIG. 6;  
 FIG. 8 is a top plan view of the foldable storage box of FIG. 6;  
 FIG. 9 is a bottom plan view of the foldable storage box of FIG. 6;  
 FIG. 10 is a back elevation view of the foldable storage box of FIG. 6;  
 FIG. 11 is a right side elevation view of the foldable storage box of FIG. 6; and,

(Continued)

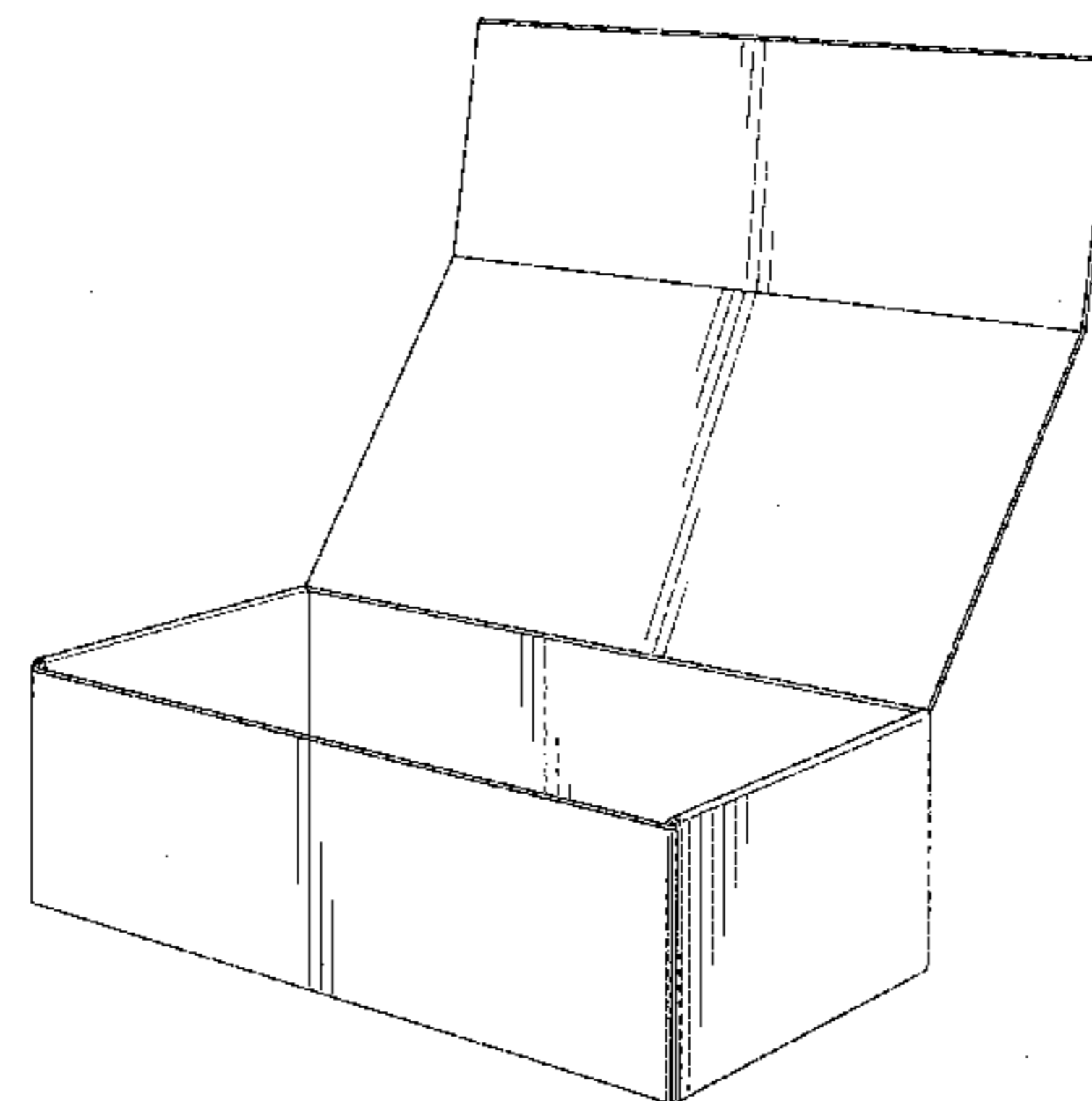
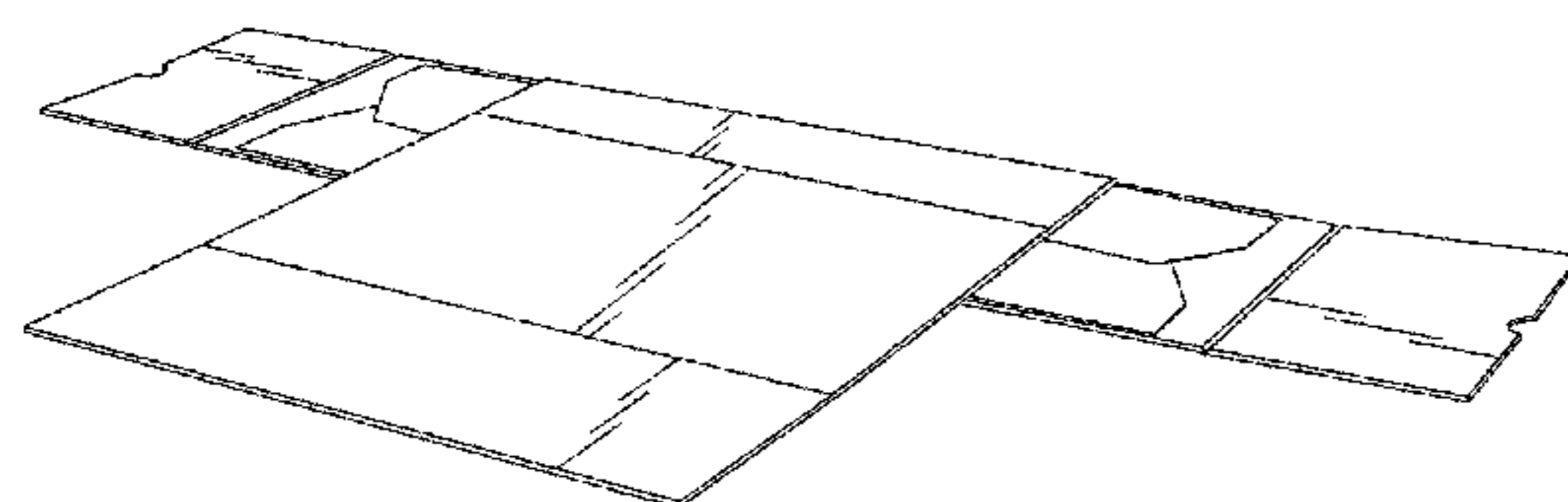


FIG. 12 is a left side elevation view of the foldable storage box of FIG. 6.

**1 Claim, 7 Drawing Sheets**

**(58) Field of Classification Search**

CPC ..... B65D 5/20; B65D 5/30; B65D 5/321;  
B65D 5/322; B65B 5/06

See application file for complete search history.

**(56) References Cited**

U.S. PATENT DOCUMENTS

D438,101 S *	2/2001	Koster	.....	D9/432
D622,590 S *	8/2010	Tayama	.....	D9/432
D687,295 S *	8/2013	Park	.....	D9/420
D755,641 S *	5/2016	O'Neill	.....	B65D 5/5088
				D9/721
D812,463 S *	3/2018	Lee	.....	D9/420
D815,343 S *	4/2018	Kesselman	.....	D27/187
D820,078 S *	6/2018	Uematsu	.....	D9/416
D828,156 S *	9/2018	Perella	.....	D9/432
D829,096 S *	9/2018	Perella	.....	D9/433
D829,097 S *	9/2018	Perella	.....	D9/433
D829,569 S *	10/2018	O'Neill	.....	D9/759
2006/0016818 A1 *	1/2006	Chiang	.....	B65D 1/24
				220/521
2016/0152375 A1 *	6/2016	Chen	.....	B65D 5/665
				229/150
2018/0127140 A1 *	5/2018	Perella	.....	B65D 5/3642
2018/0244424 A1 *	8/2018	Perella	.....	B65D 5/3664

\* cited by examiner

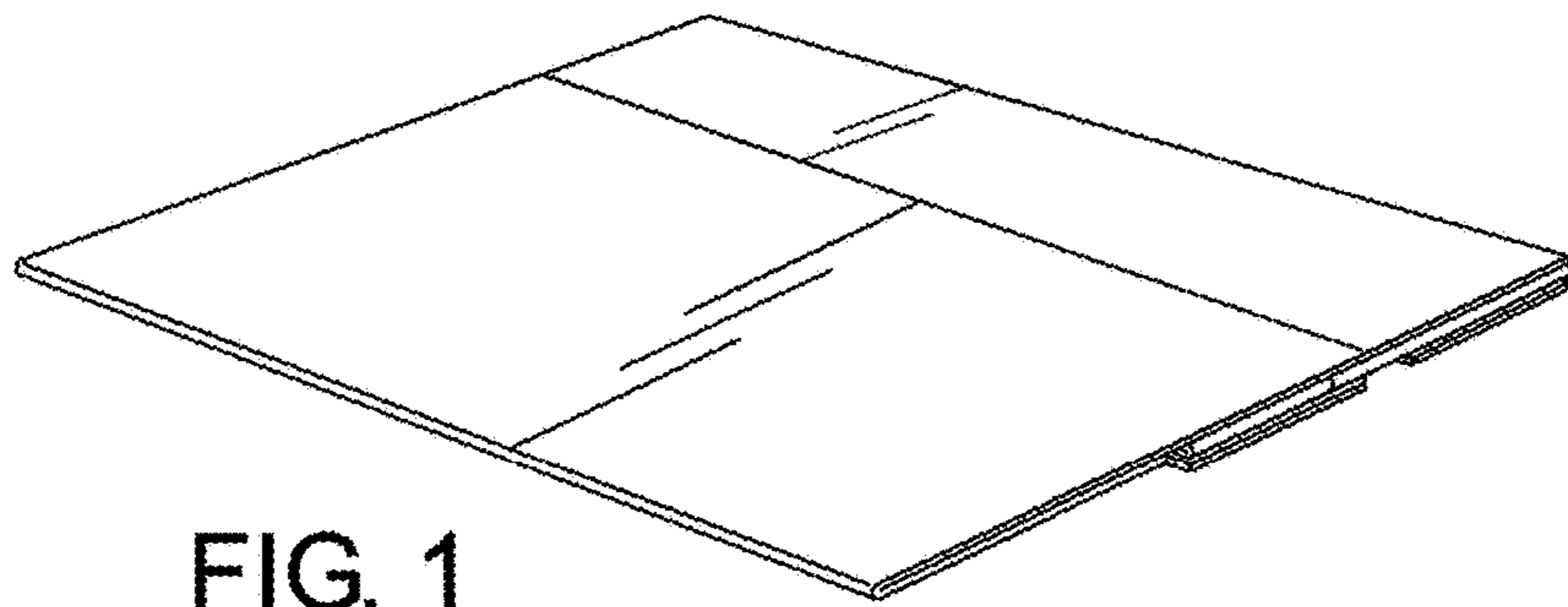


FIG. 1

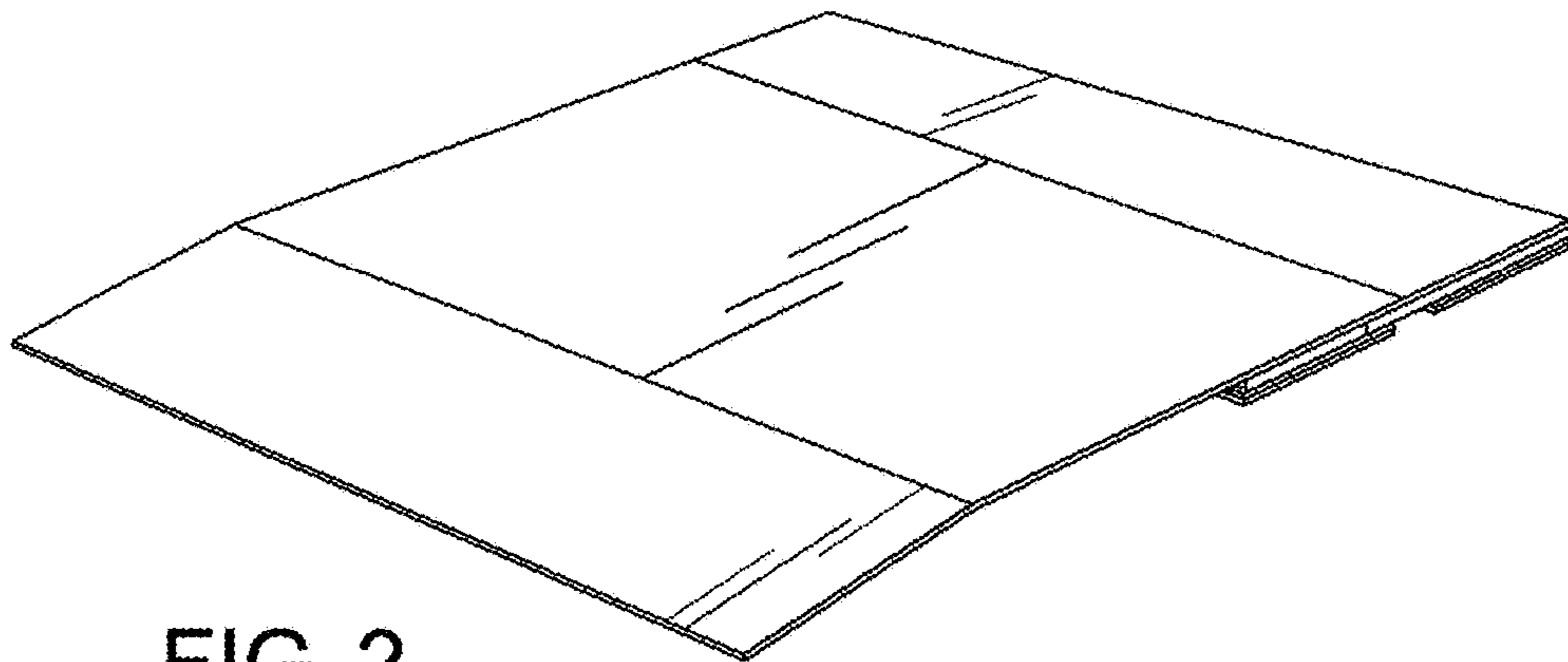


FIG. 2

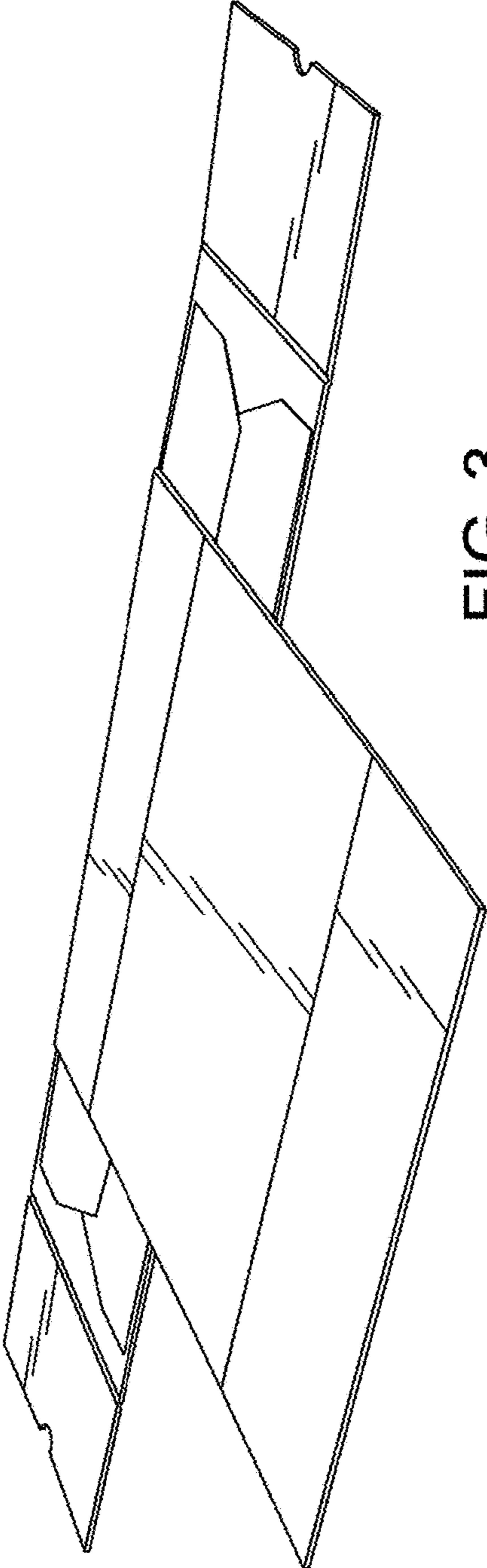


FIG. 3

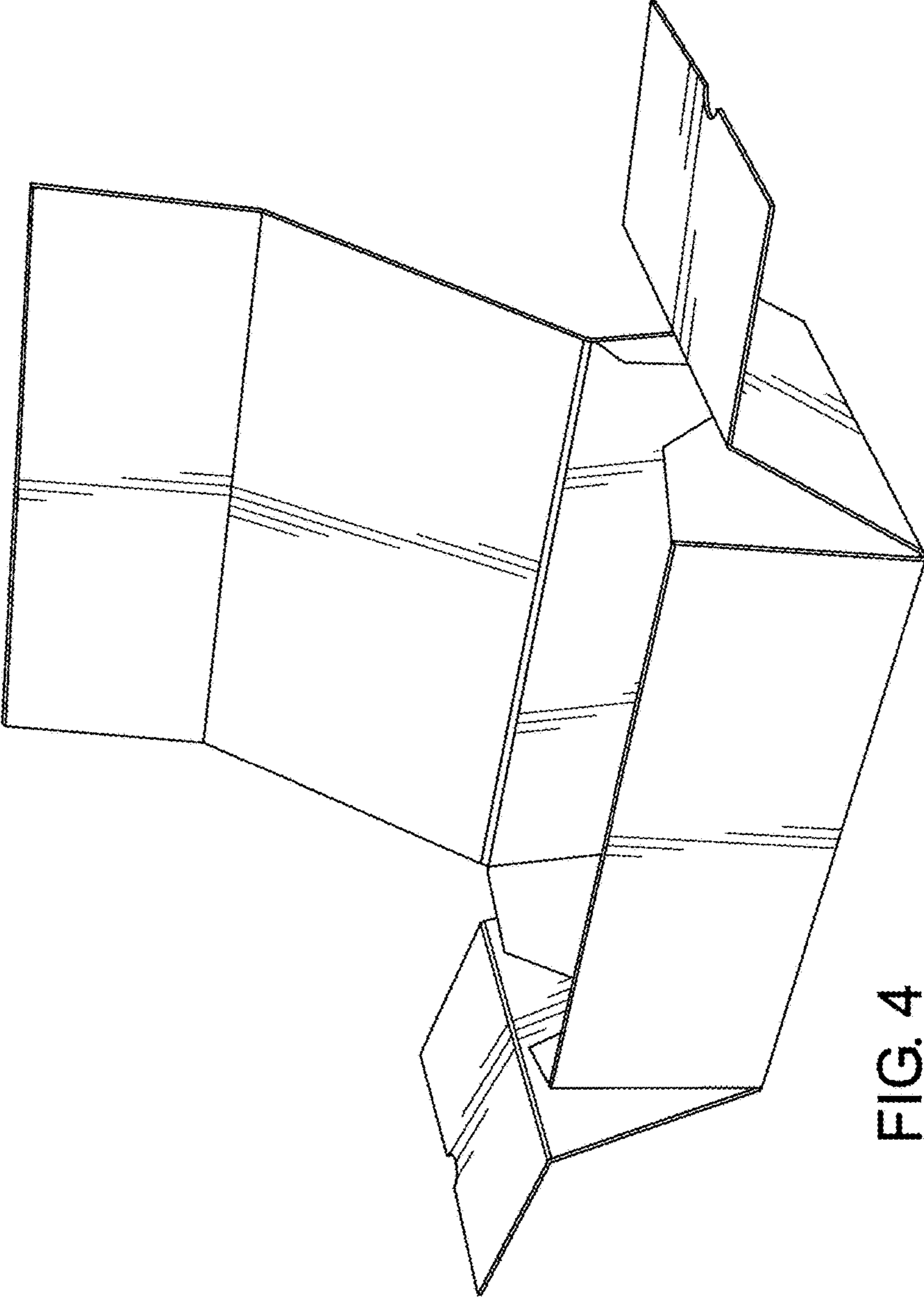


FIG. 4

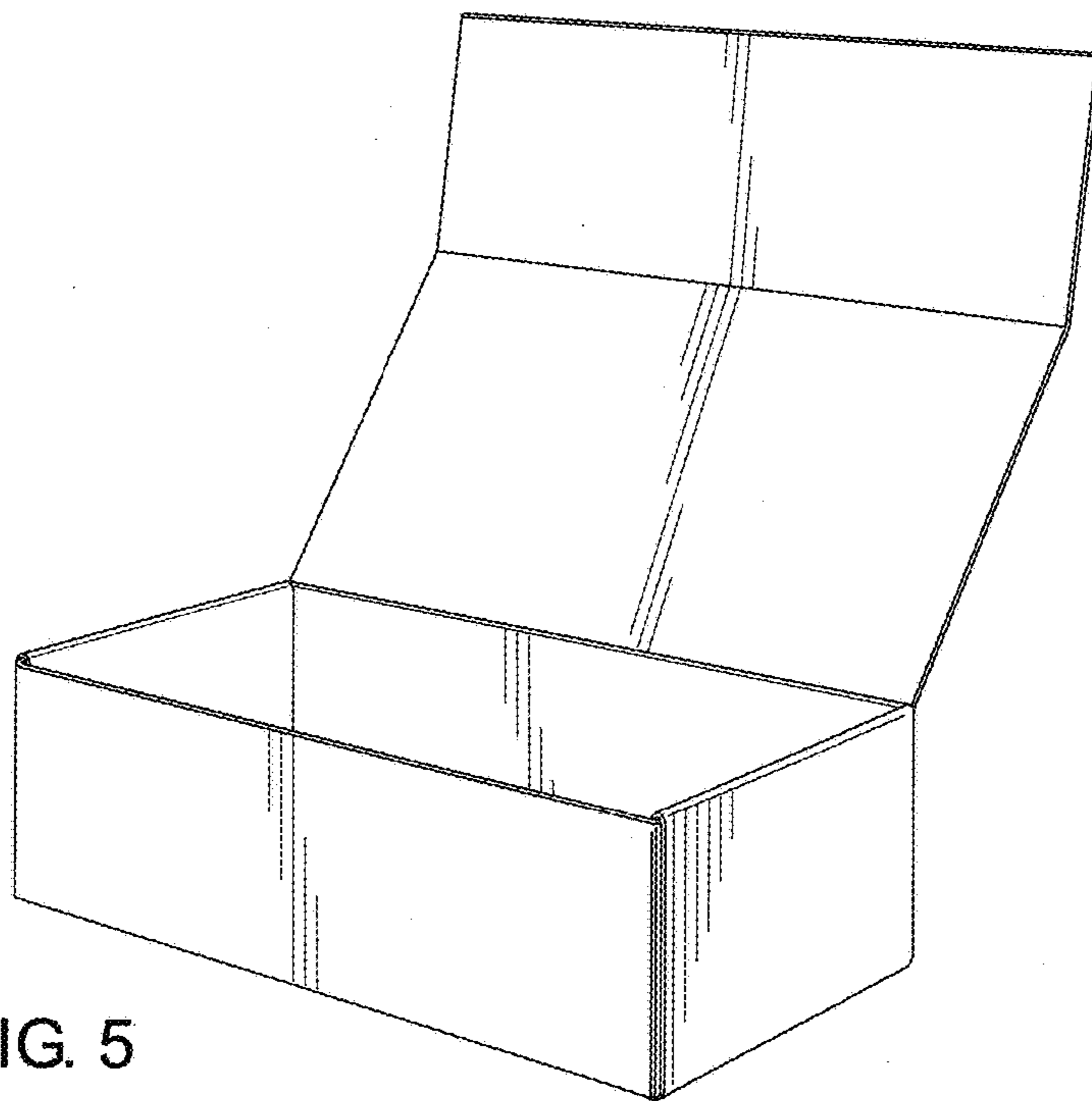


FIG. 5

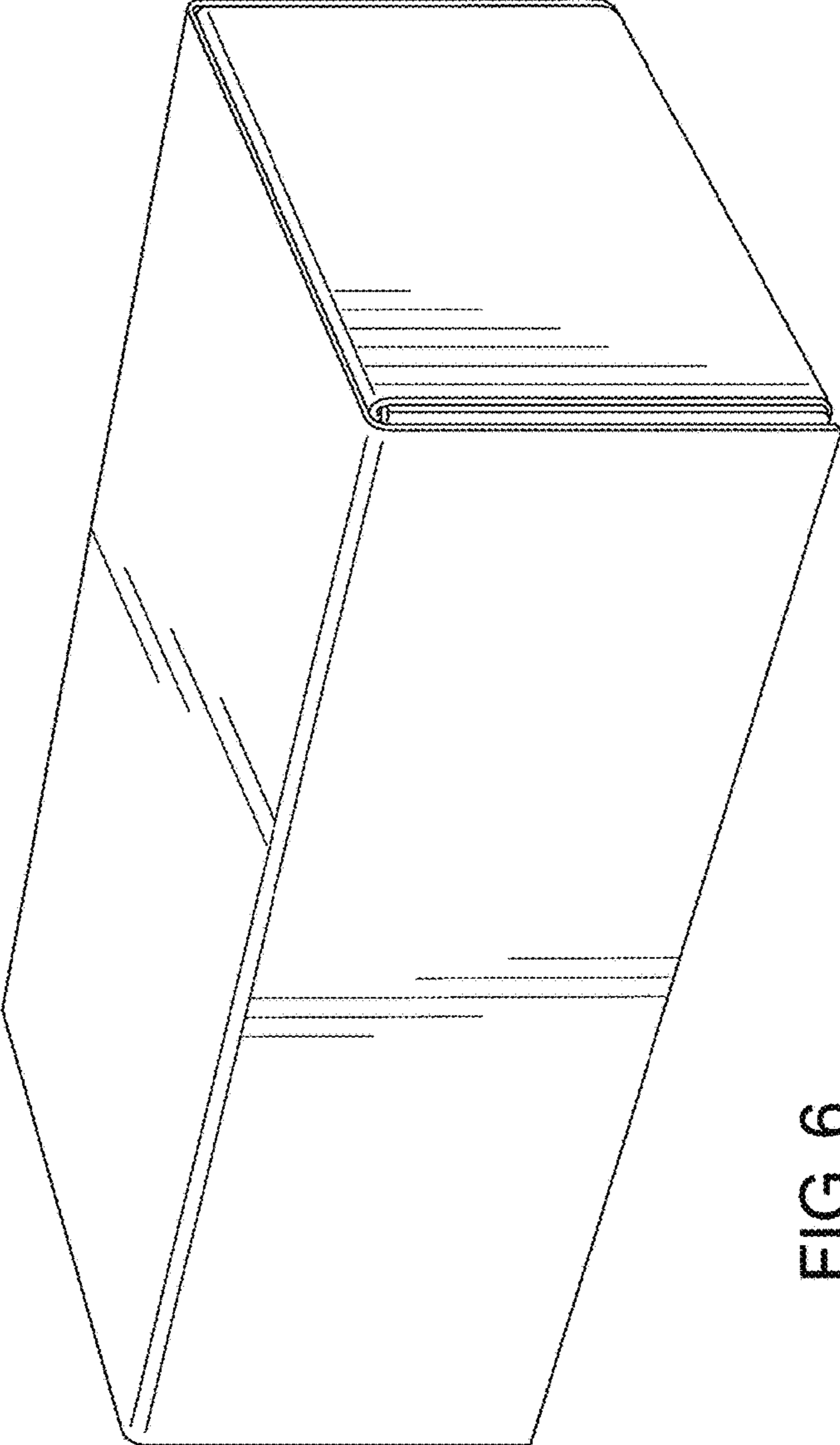


FIG. 6

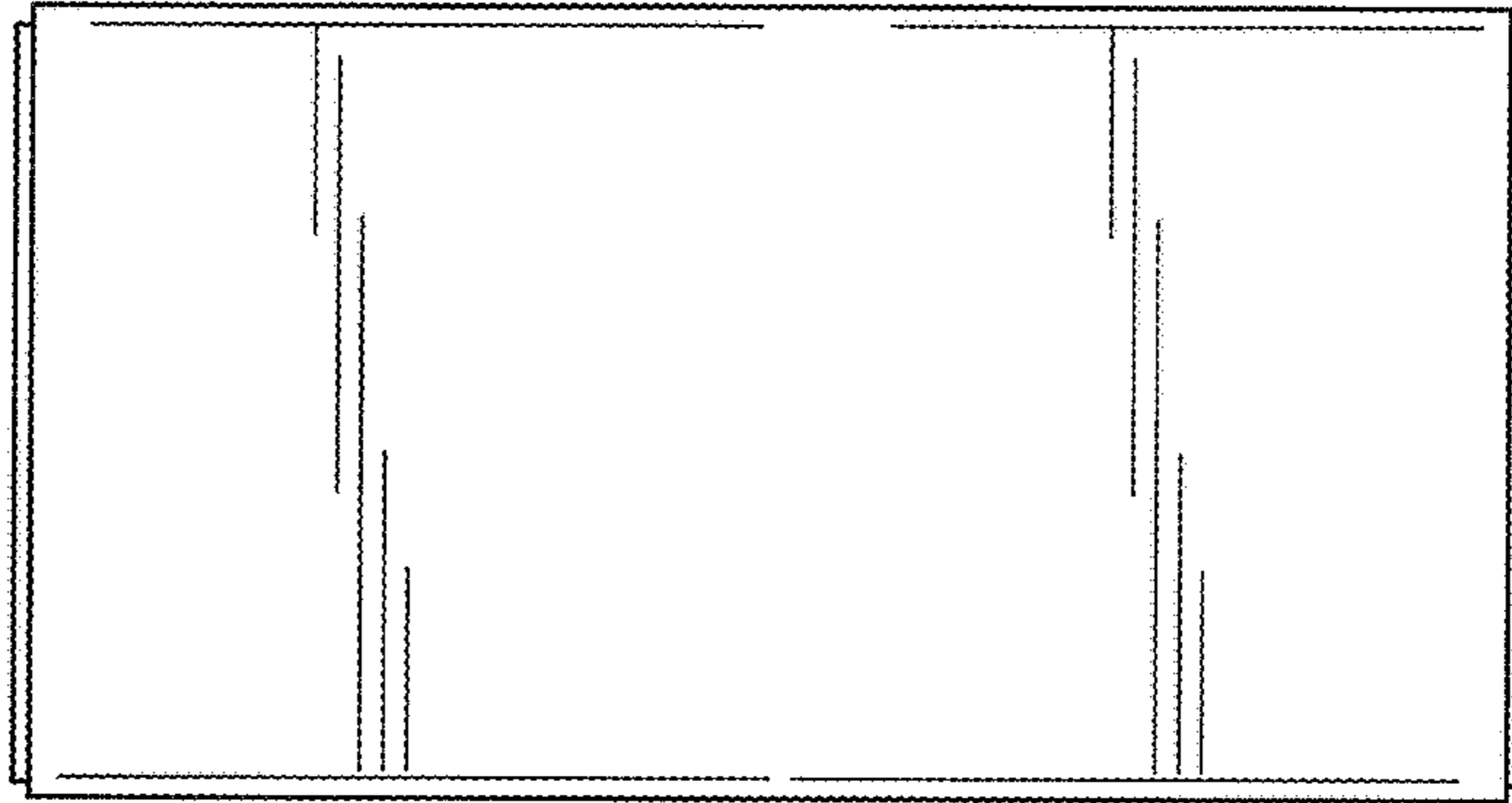


FIG. 8

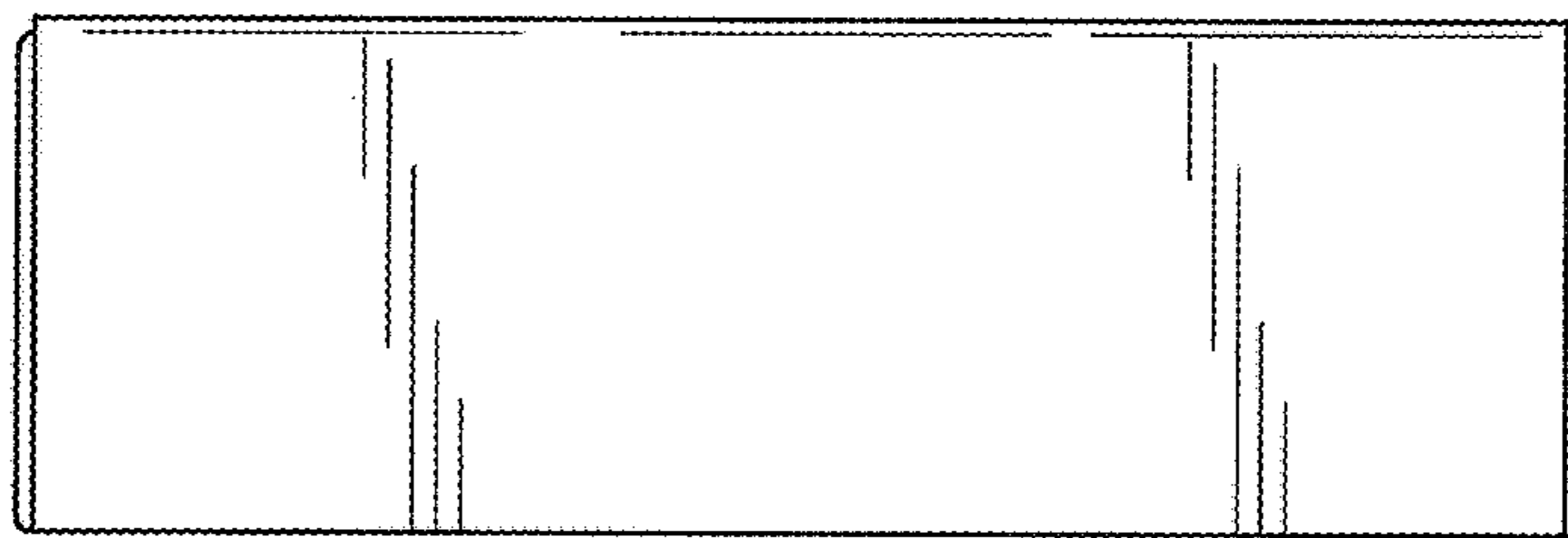


FIG. 7

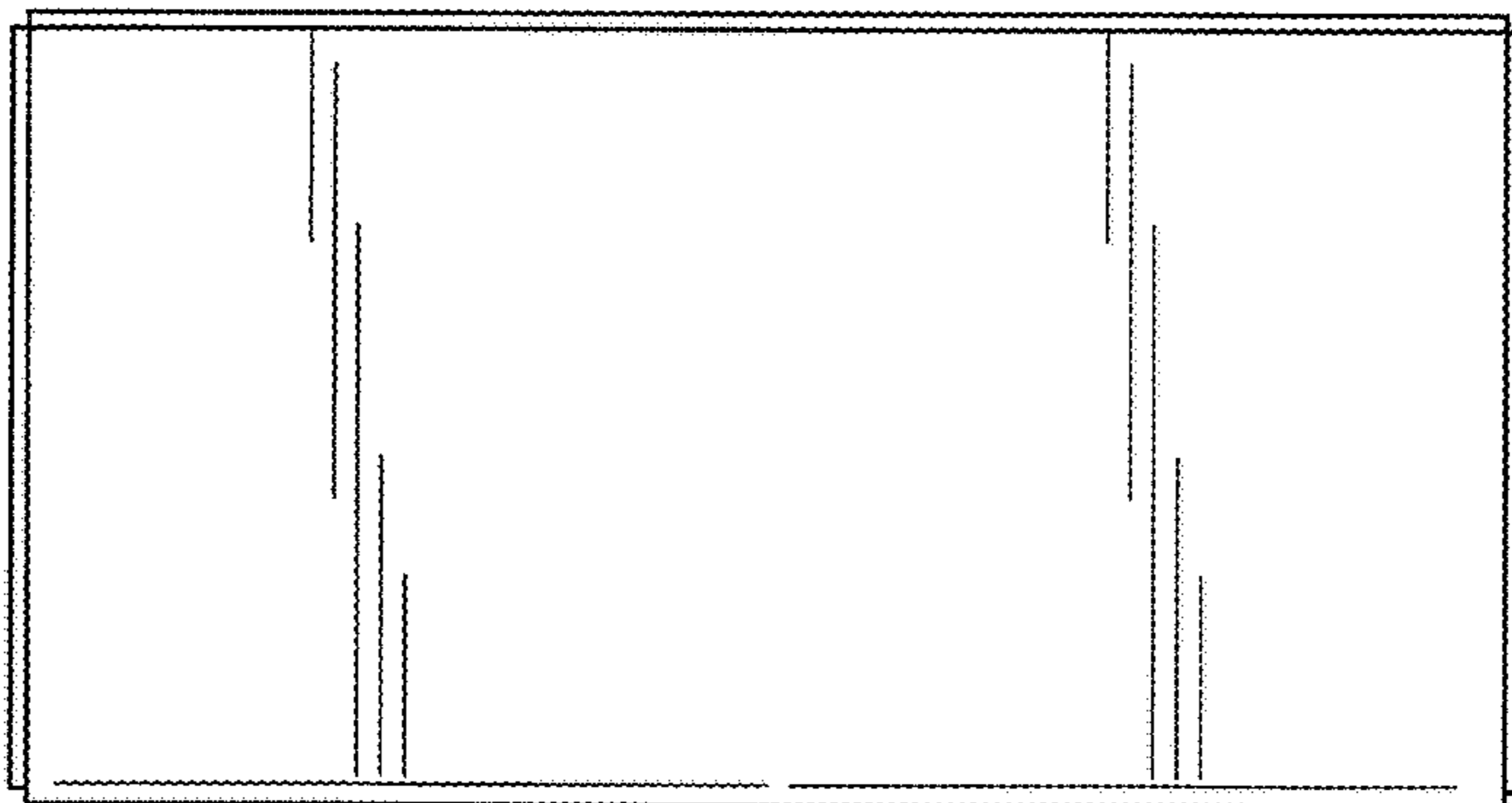


FIG. 9



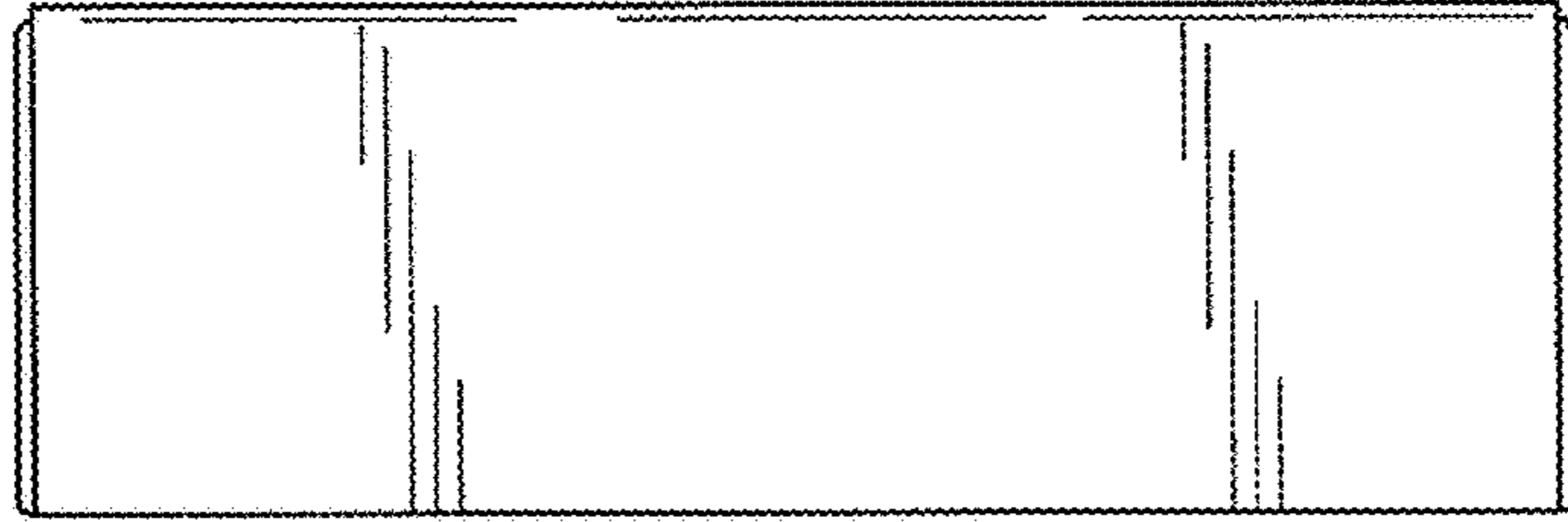


FIG. 10

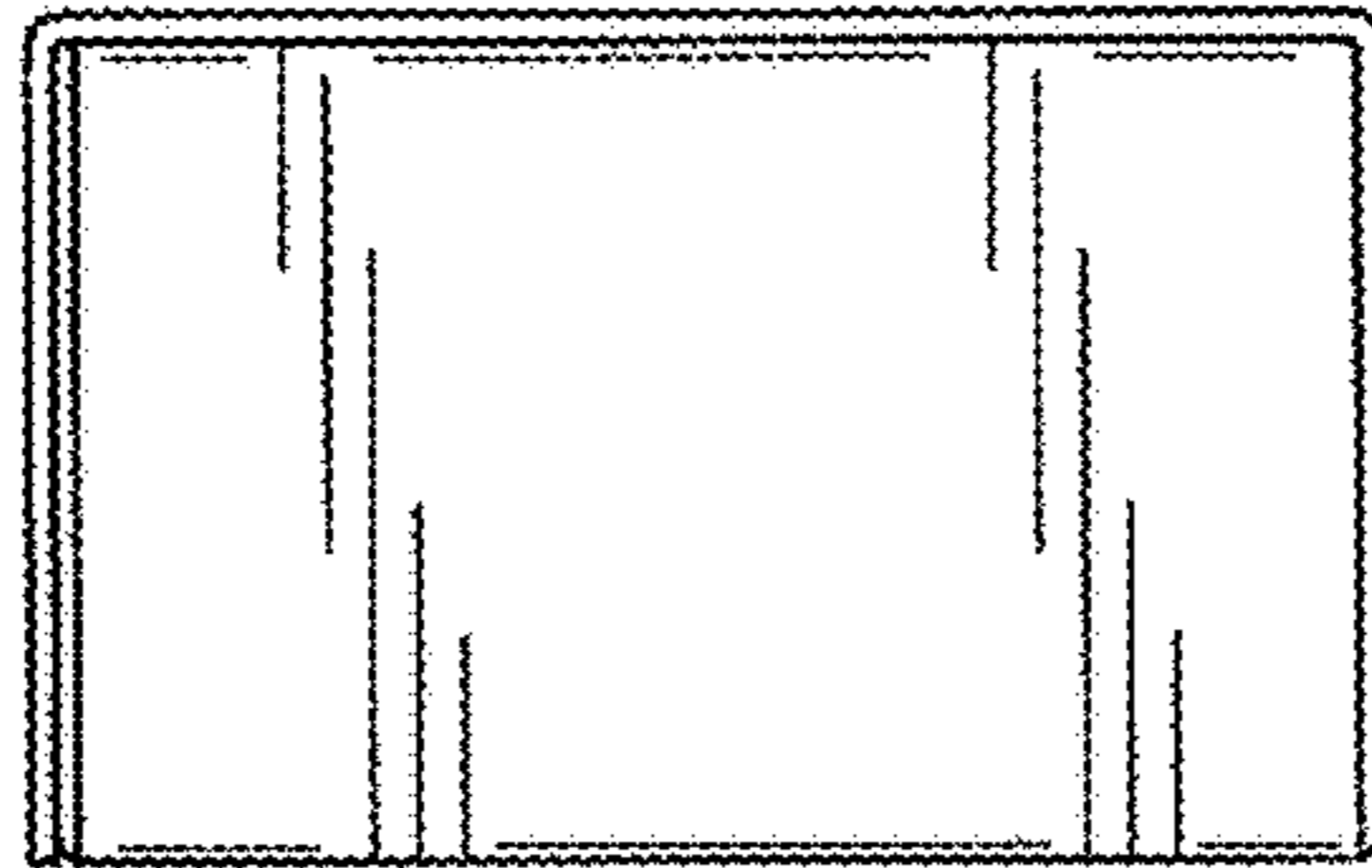


FIG. 11

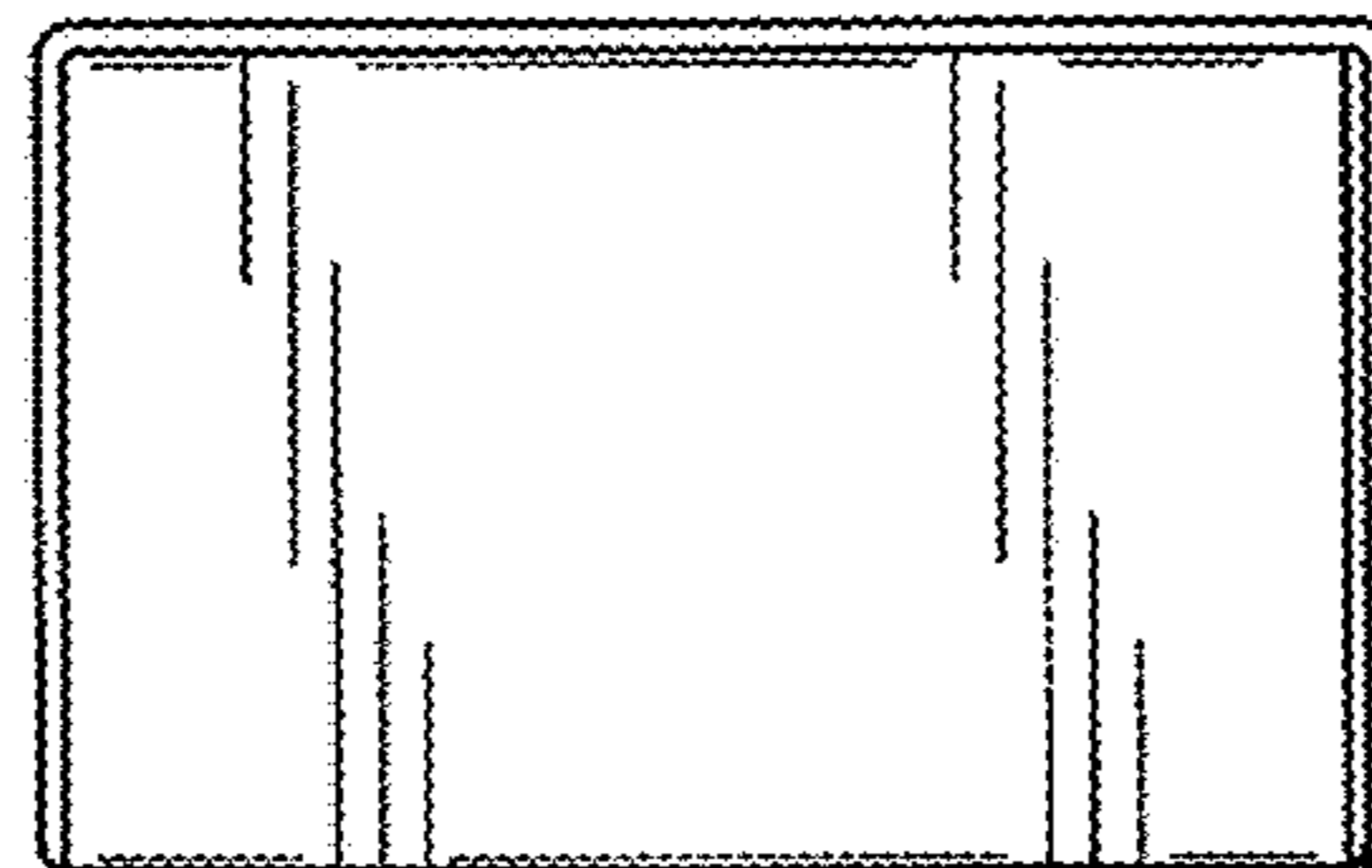


FIG. 12