



US00D850907S

(12) **United States Design Patent** (10) **Patent No.:** **US D850,907 S**
Moberg (45) **Date of Patent:** **** *Jun. 11, 2019**

(54) **CONTAINER WITH OPPOSING CONCAVE SIDES**

(71) Applicant: **Sandra Antonina Moberg**,
Jacksonville, FL (US)

(72) Inventor: **Sandra Antonina Moberg**,
Jacksonville, FL (US)

(*) Notice: This patent is subject to a terminal disclaimer.

(**) Term: **15 Years**

(21) Appl. No.: **29/590,352**

(22) Filed: **Jan. 10, 2017**

(51) **LOC (11) Cl.** **09-03**

(52) **U.S. Cl.**
USPC **D9/430**

(58) **Field of Classification Search**
USPC D9/414-419, 420-423, 430-434,
D9/721-722; D3/290, 304, 305, 315;
D20/10, 22, 27, 40, 42
CPC B65D 5/00; B65D 5/0015; B65D 5/061;
B65D 5/18; B65D 5/20; B65D 5/32;
B65D 5/321; B65D 5/322
See application file for complete search history.

(56) **References Cited**

U.S. PATENT DOCUMENTS

3,078,989	A *	2/1963	Curran	A61F 13/55145	206/440
3,792,798	A	2/1974	Chang			
D231,201	S *	4/1974	Bonfitto	D9/418	
5,052,614	A	10/1991	Xuan			
5,482,202	A	1/1996	Wen			
D394,385	S *	5/1998	Laughlin	D9/431	
D447,689	S *	9/2001	Navet	D9/430	
D454,305	S *	3/2002	Bryan	D9/433	
D454,495	S *	3/2002	Bryan	D9/433	

D461,404	S *	8/2002	Steiger	D9/423	
D519,832	S *	5/2006	Demathieu	D9/430	
D521,374	S *	5/2006	Ghini	D9/430	
D581,262	S *	11/2008	Suyama	D9/415	
D616,739	S *	6/2010	Kalberer	D9/431	
D635,016	S *	3/2011	Kalberer	D9/431	
D684,853	S *	6/2013	Dagnino	D9/417	
D695,101	S *	12/2013	Keberlein	D9/416	
D712,735	S *	9/2014	McCracken	D9/430	
D721,576	S *	1/2015	De Pietri Tonelli	D9/431	
D764,284	S *	8/2016	Mohn	D9/432	
D764,284	S *	8/2016	Mohn	D9/432	
D778,526	S *	2/2017	Martin	D1/125	
D795,686	S *	8/2017	Mohn	D9/417	

OTHER PUBLICATIONS

Flower Planters Concave Container. [online] Retrieved Dec. 22, 2017 from URL: <https://www.indiamart.com/associated-group/flower-planters.html>.*

* cited by examiner

Primary Examiner — Vy N Koenig
(74) *Attorney, Agent, or Firm* — Lawrence J. Gibney

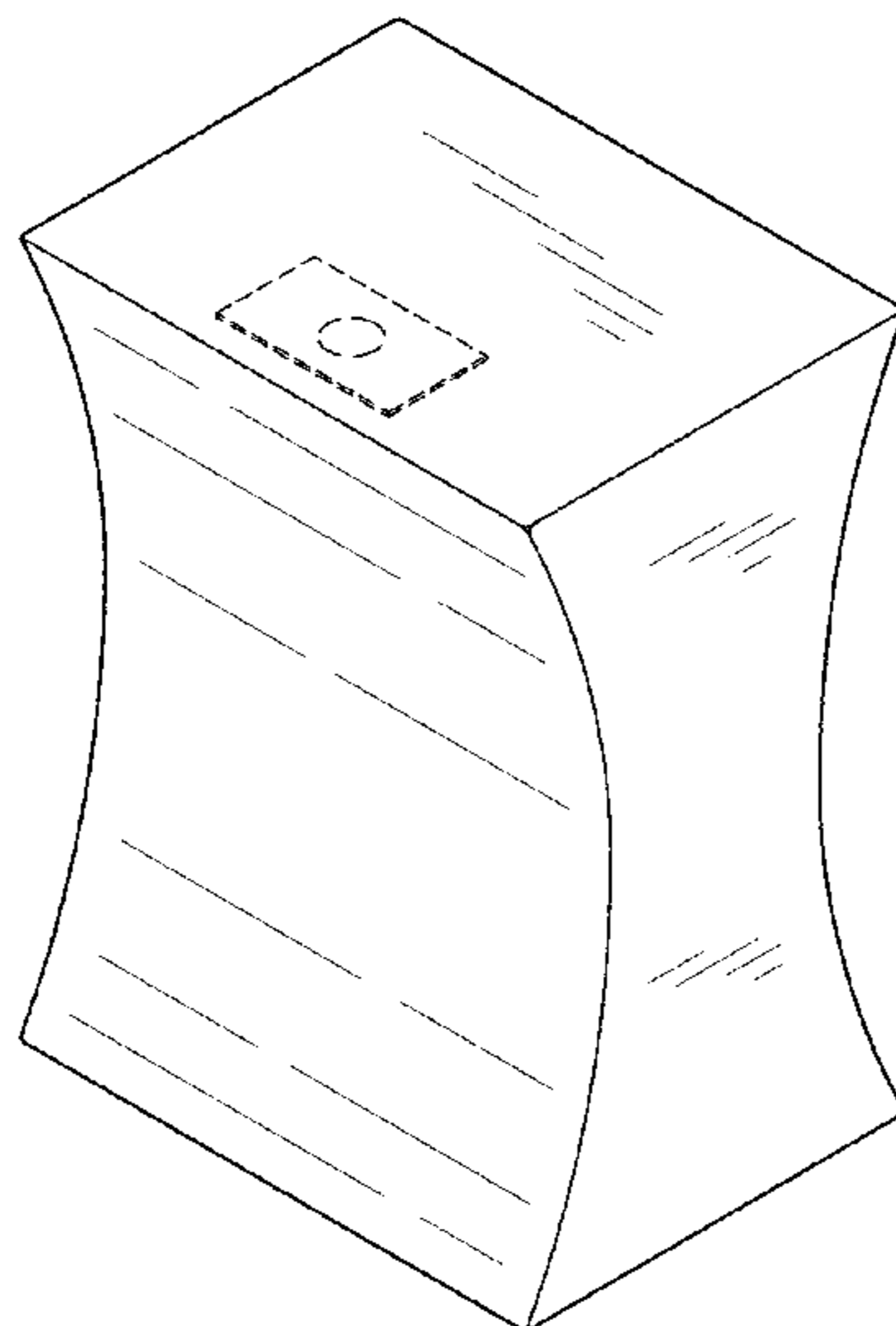
(57) **CLAIM**

The ornamental design for a container with opposing concave sides, as shown and described.

DESCRIPTION

FIG. 1 is a front elevated view of a container with opposing concave sides showing my new design; FIG. 2 is a side elevation view thereof; FIG. 3 is a top plan view thereof; FIG. 4 is a bottom plan view thereof; and, FIG. 5 is an isometric view thereof. The broken lines in the drawings depict environmental subject matter, specifically a straw opening, and form no part of the claimed design.

1 Claim, 2 Drawing Sheets



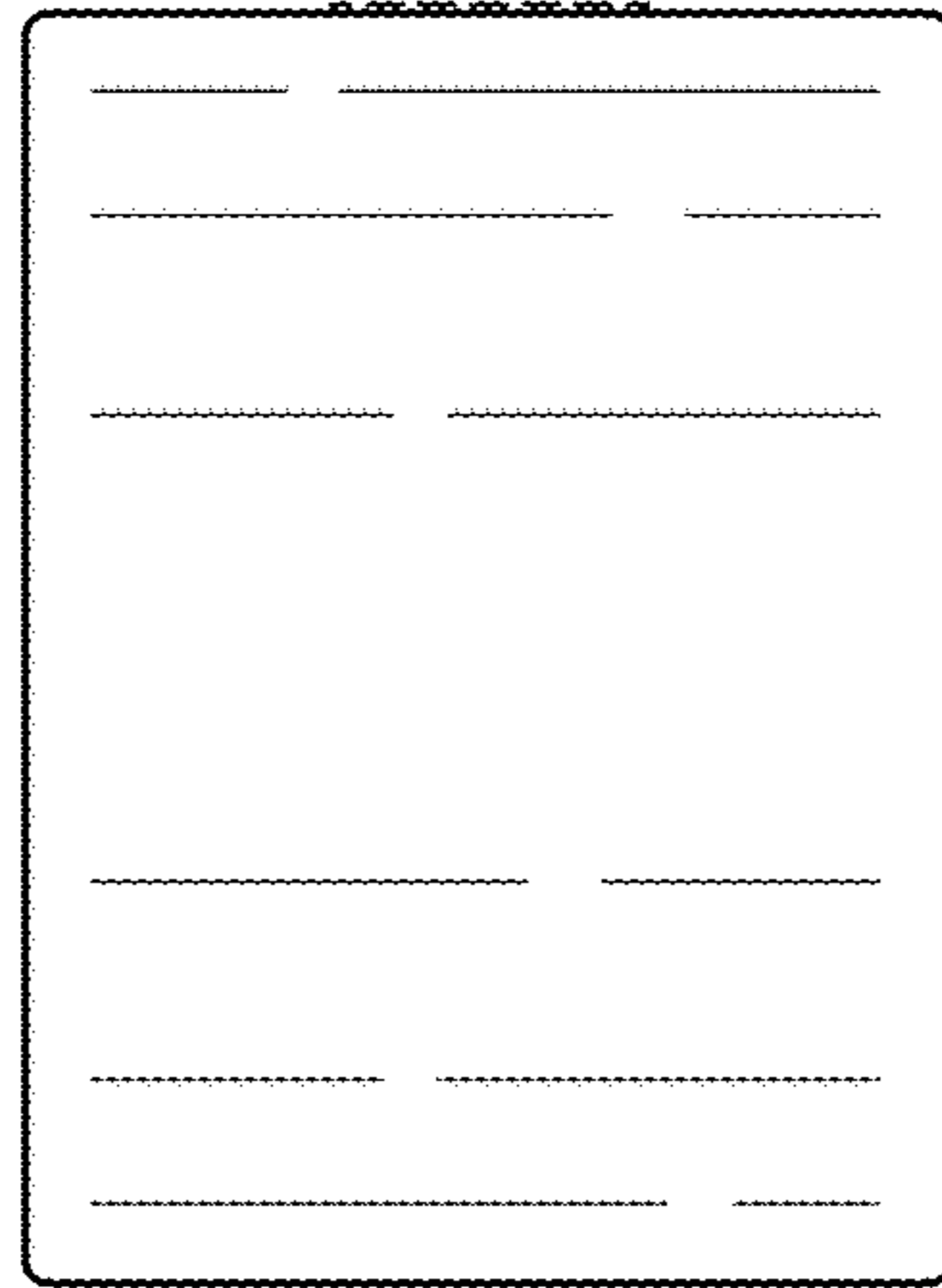


FIG. 1

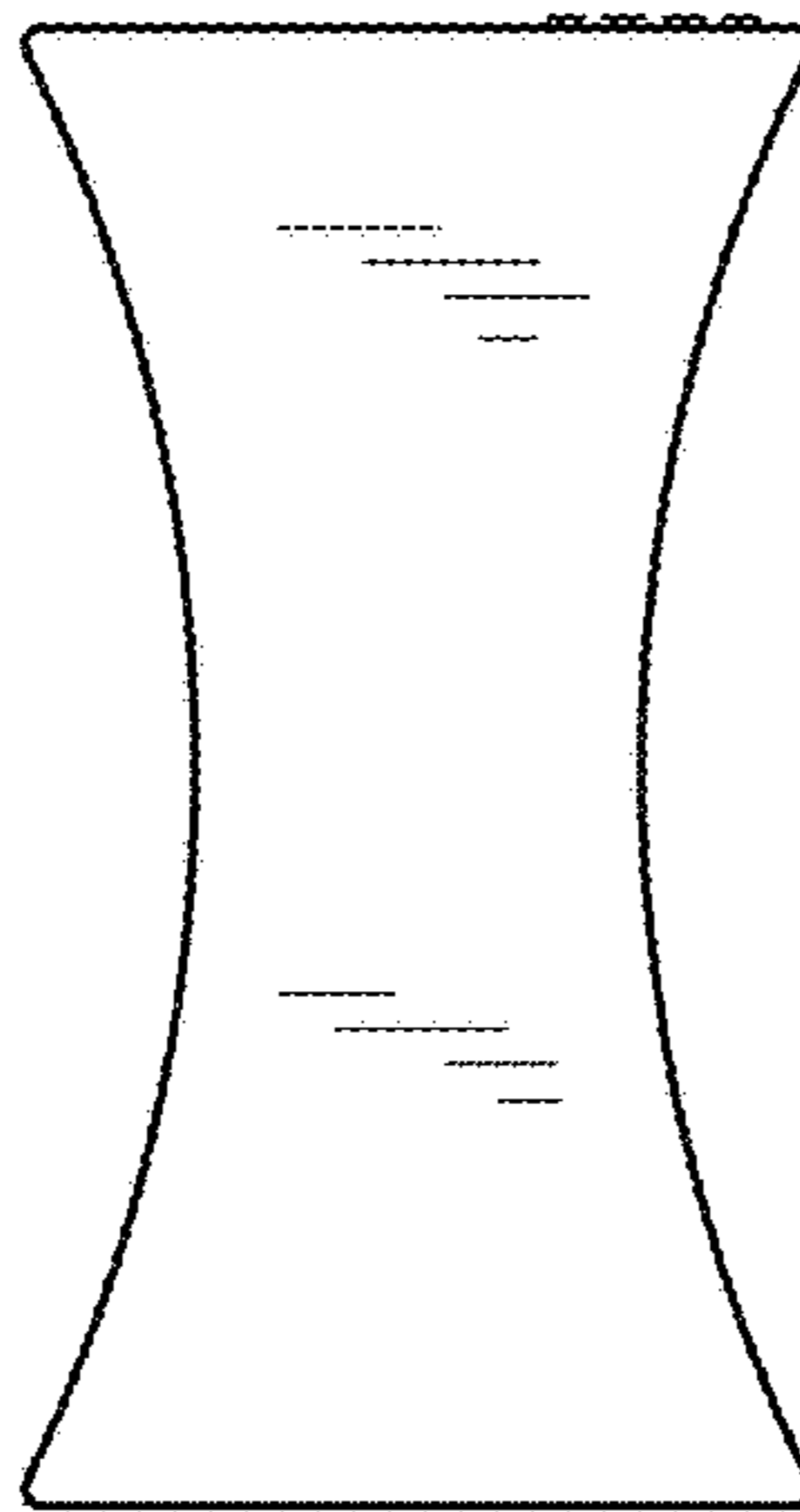


FIG. 2

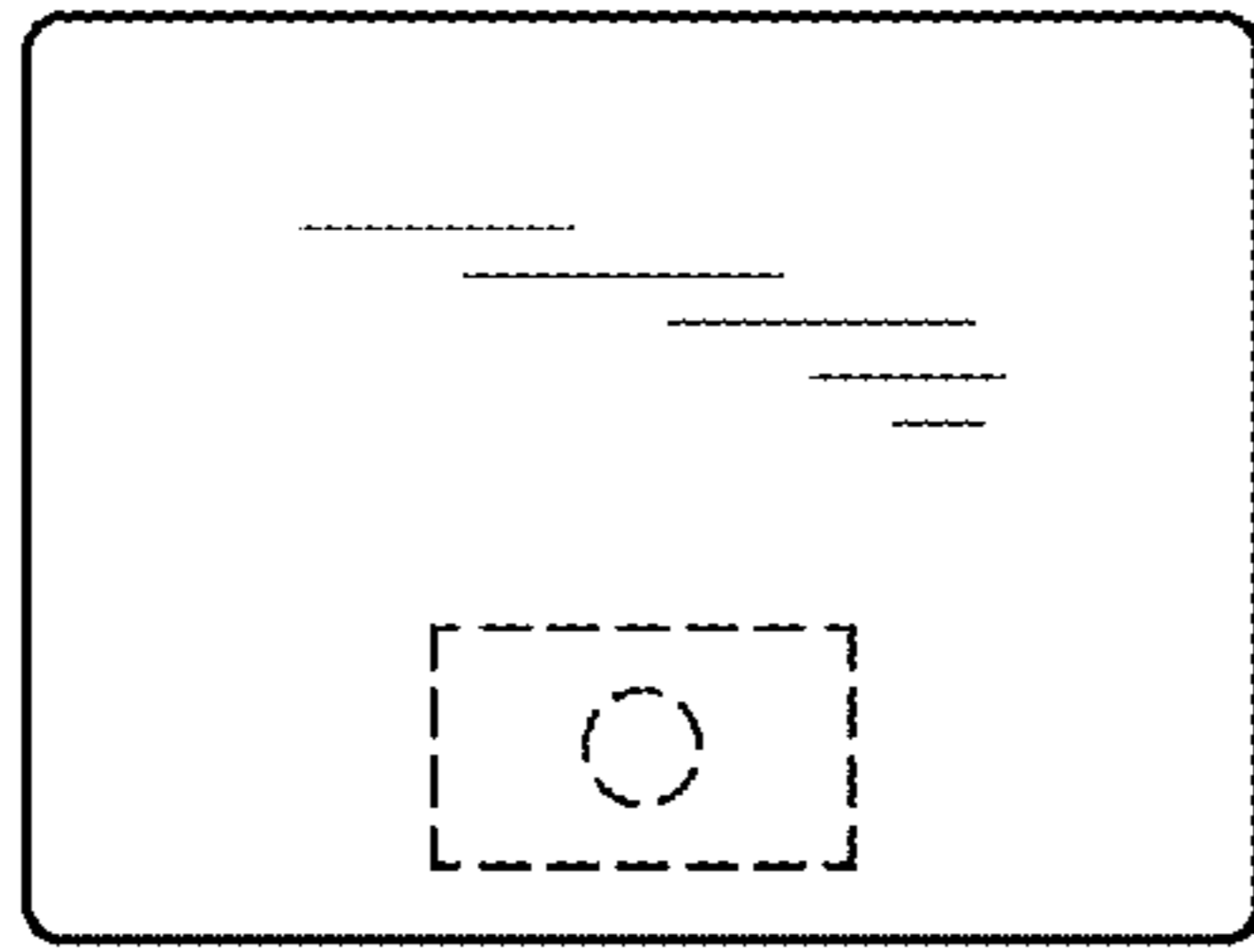


FIG. 3

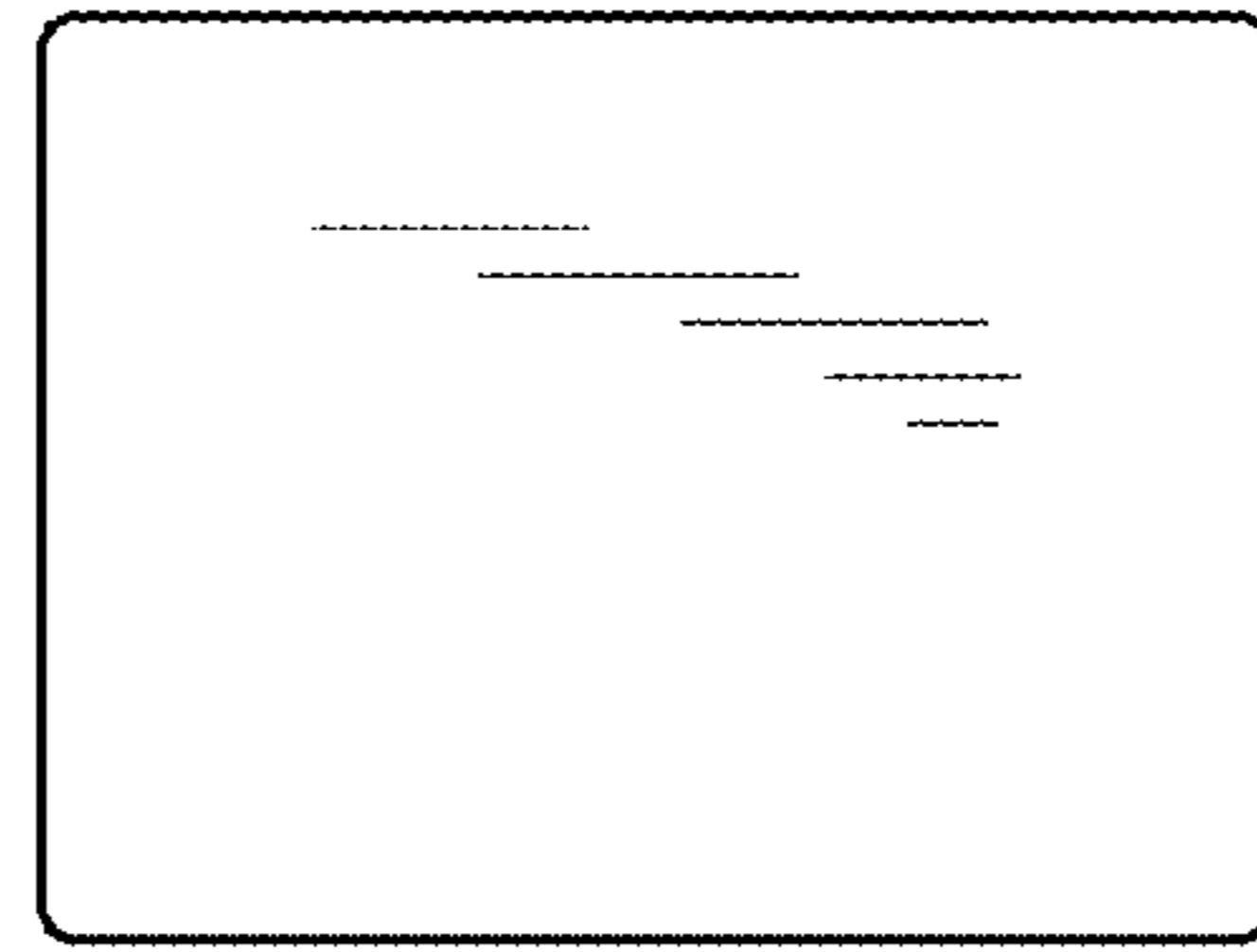


FIG. 4

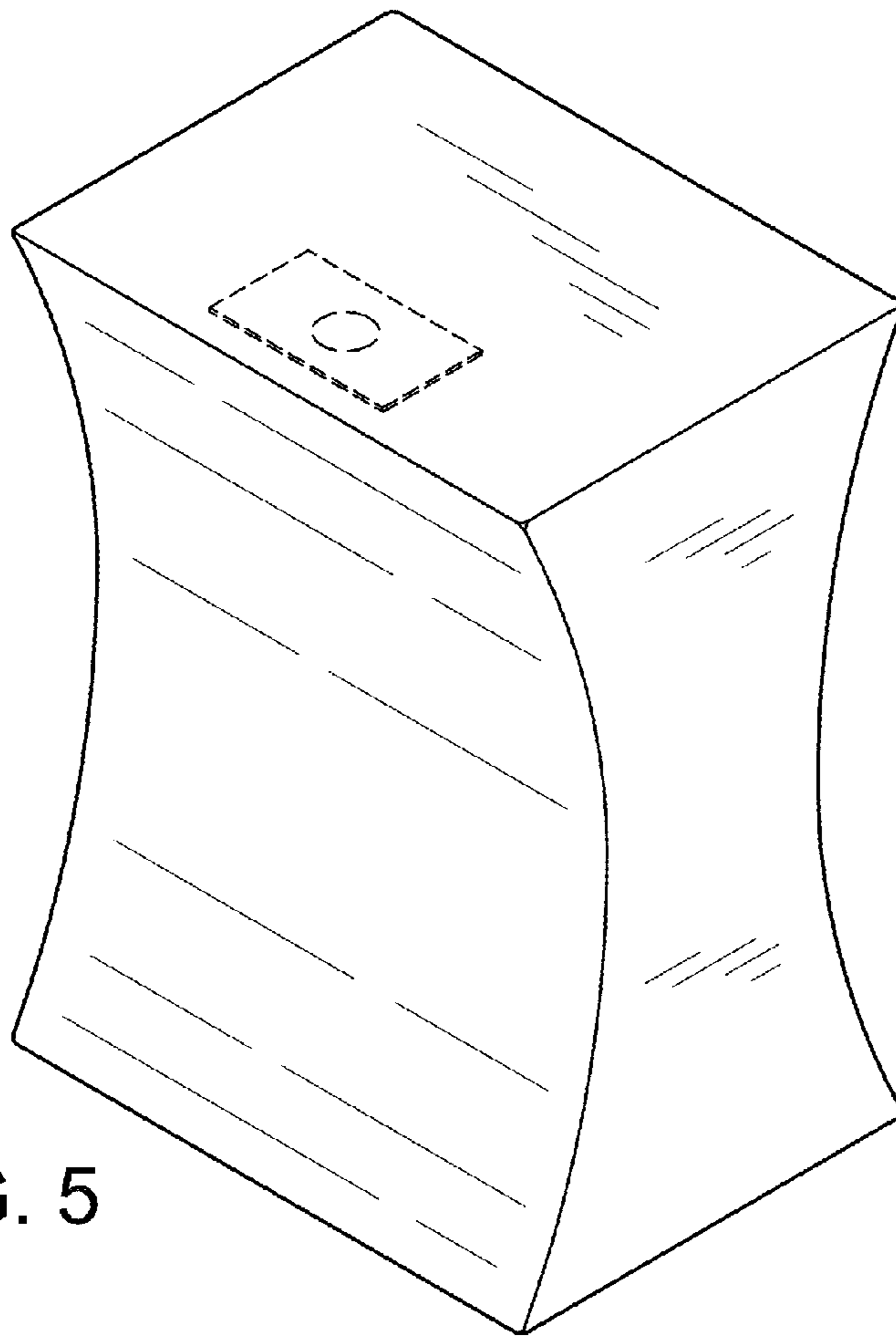


FIG. 5