



US00D850906S

(12) **United States Design Patent**
Ahn

(10) **Patent No.:** **US D850,906 S**
(45) **Date of Patent:** **** Jun. 11, 2019**

(54) **SANDWICH CONTAINER**
(71) Applicant: **Ji Hoon Ahn**, Namyangju-si (KR)
(72) Inventor: **Ji Hoon Ahn**, Namyangju-si (KR)
(**) Term: **15 Years**

5,269,430 A * 12/1993 Schlaupitz B65D 43/162
206/551
D349,050 S * 7/1994 Krupa D9/418
D373,311 S * 9/1996 Hotz D9/447
D409,911 S * 5/1999 Guillin D9/425
D507,453 S * 7/2005 Mills D7/359
D688,920 S * 9/2013 Manley D7/629

(21) Appl. No.: **29/611,049**
(22) Filed: **Jul. 18, 2017**

FOREIGN PATENT DOCUMENTS

KR 30-0876282 12/2016

* cited by examiner

(30) **Foreign Application Priority Data**

Mar. 9, 2017 (KR) 30-2017-0011181

(51) **LOC (11) Cl.** **09-03**

(52) **U.S. Cl.**
USPC **D9/425**

(58) **Field of Classification Search**
USPC D7/538-542, 602, 608, 629; D9/414,
D9/420, 424-426, 429, 432, 761;
206/501-509; 220/781, 791, 793,
220/811-813, 835, 839
CPC B65D 1/24; B65D 25/04; B65D 43/03;
B65D 43/16; B65D 43/0212
See application file for complete search history.

Primary Examiner — Derrick E Holland

Assistant Examiner — Janice Patyk

(74) *Attorney, Agent, or Firm* — McAndrews, Held & Malloy, Ltd.

(56) **References Cited**

U.S. PATENT DOCUMENTS

3,615,039 A * 10/1971 Ward B65D 21/0233
206/518
3,620,411 A * 11/1971 Rump B65D 43/162
206/551
4,269,348 A * 5/1981 Young B65D 5/4616
229/115

(57) **CLAIM**

The ornamental design for a sandwich container, as shown and described.

DESCRIPTION

FIG. 1 is a front perspective view of a sandwich container showing my new design;
FIG. 2 is a front view thereof;
FIG. 3 is a rear view thereof;
FIG. 4 is a right side view thereof;
FIG. 5 is a left side view thereof;
FIG. 6 is a top view thereof; and,
FIG. 7 is a bottom view thereof.
The broken lines in the figures illustrate the portions of the design that form no part of the claimed design.

1 Claim, 4 Drawing Sheets

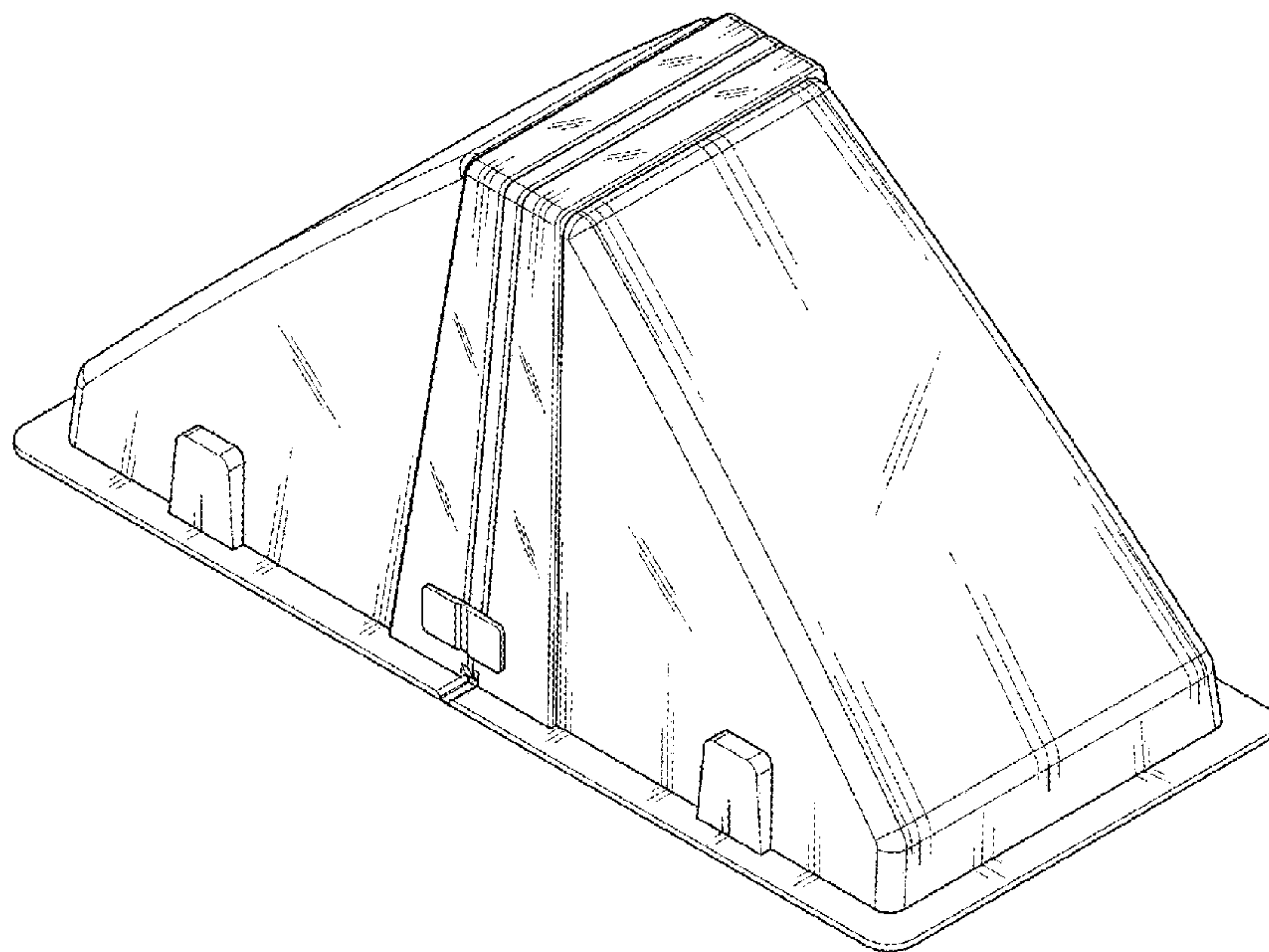


FIG. 1

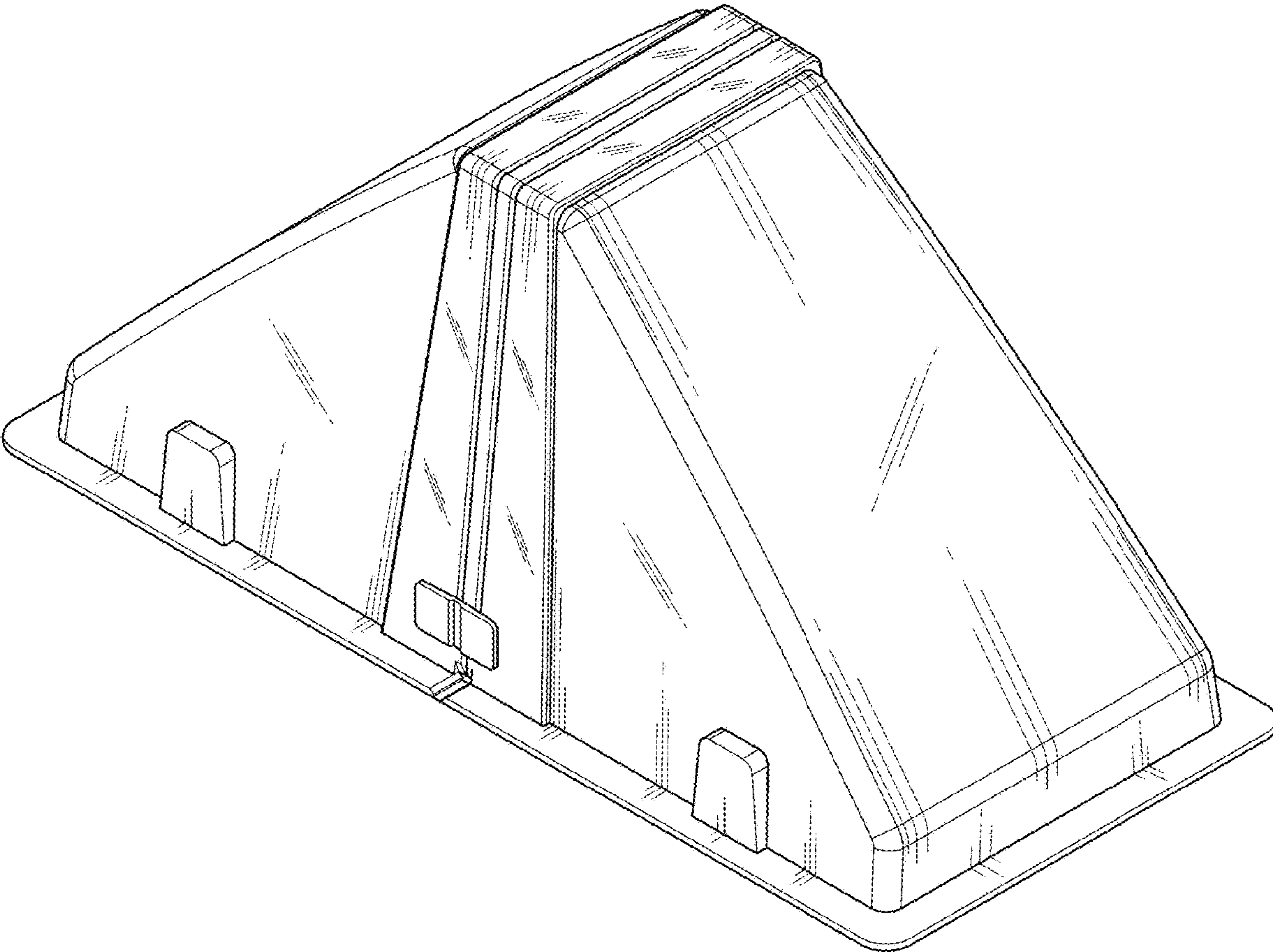


FIG. 2

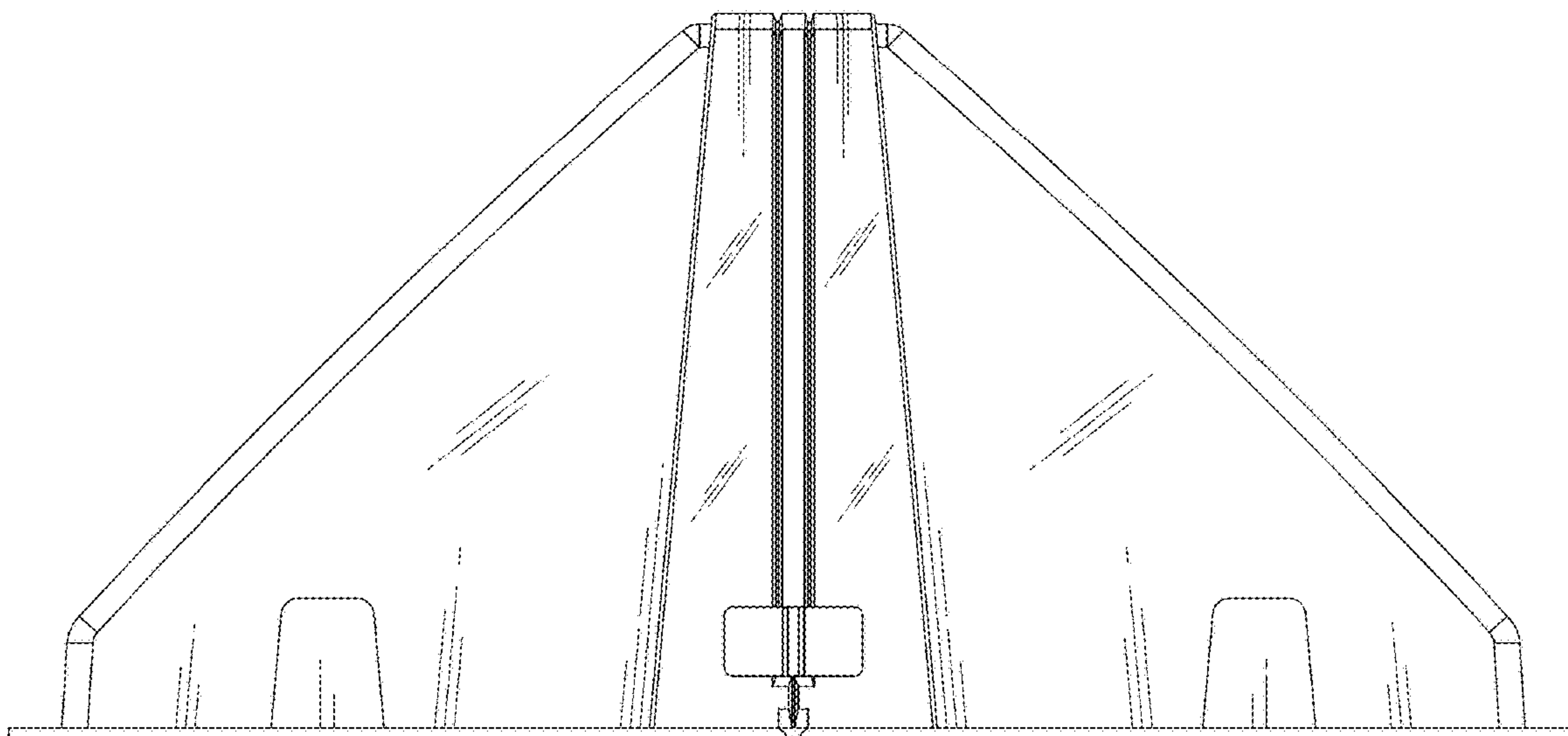


FIG. 3

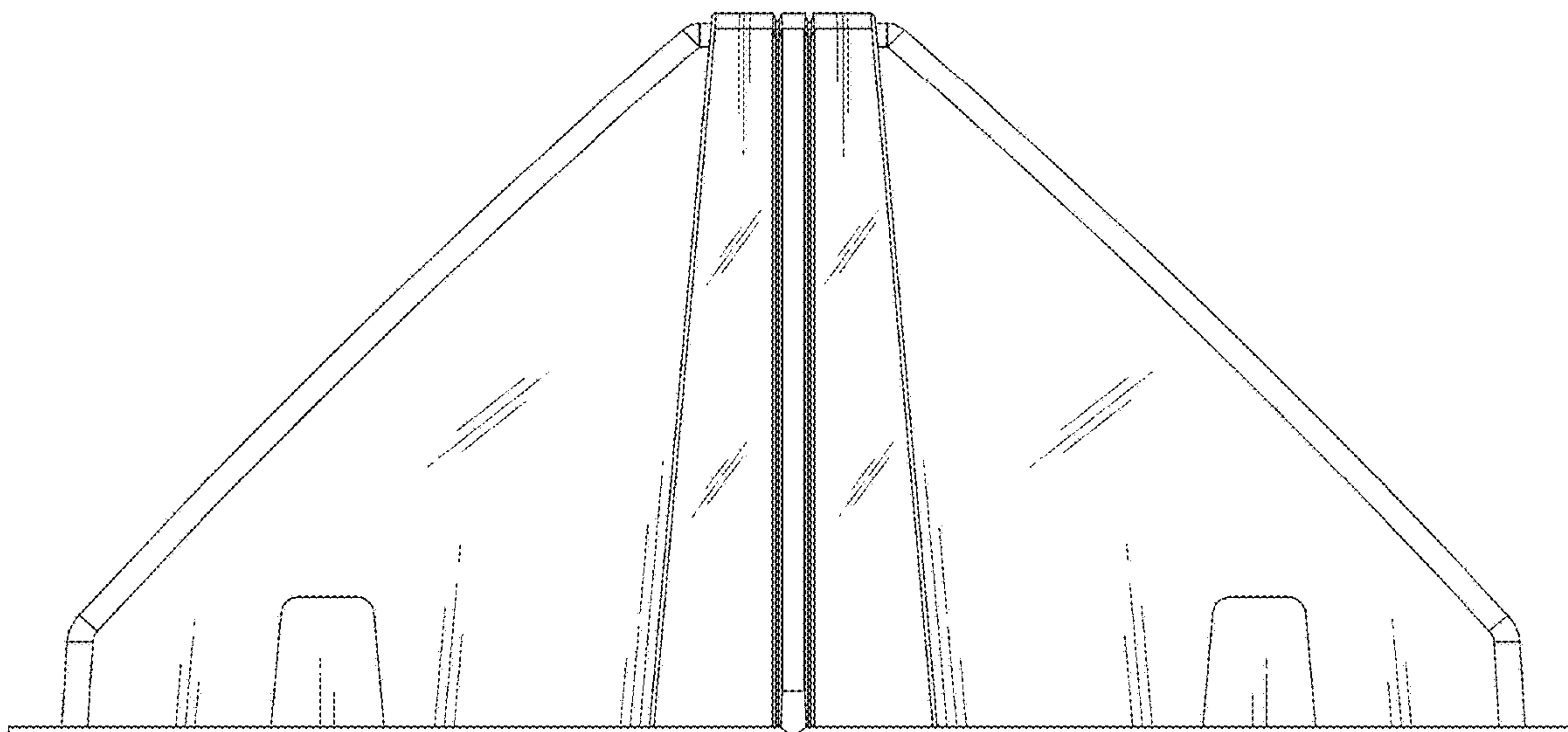


FIG. 4

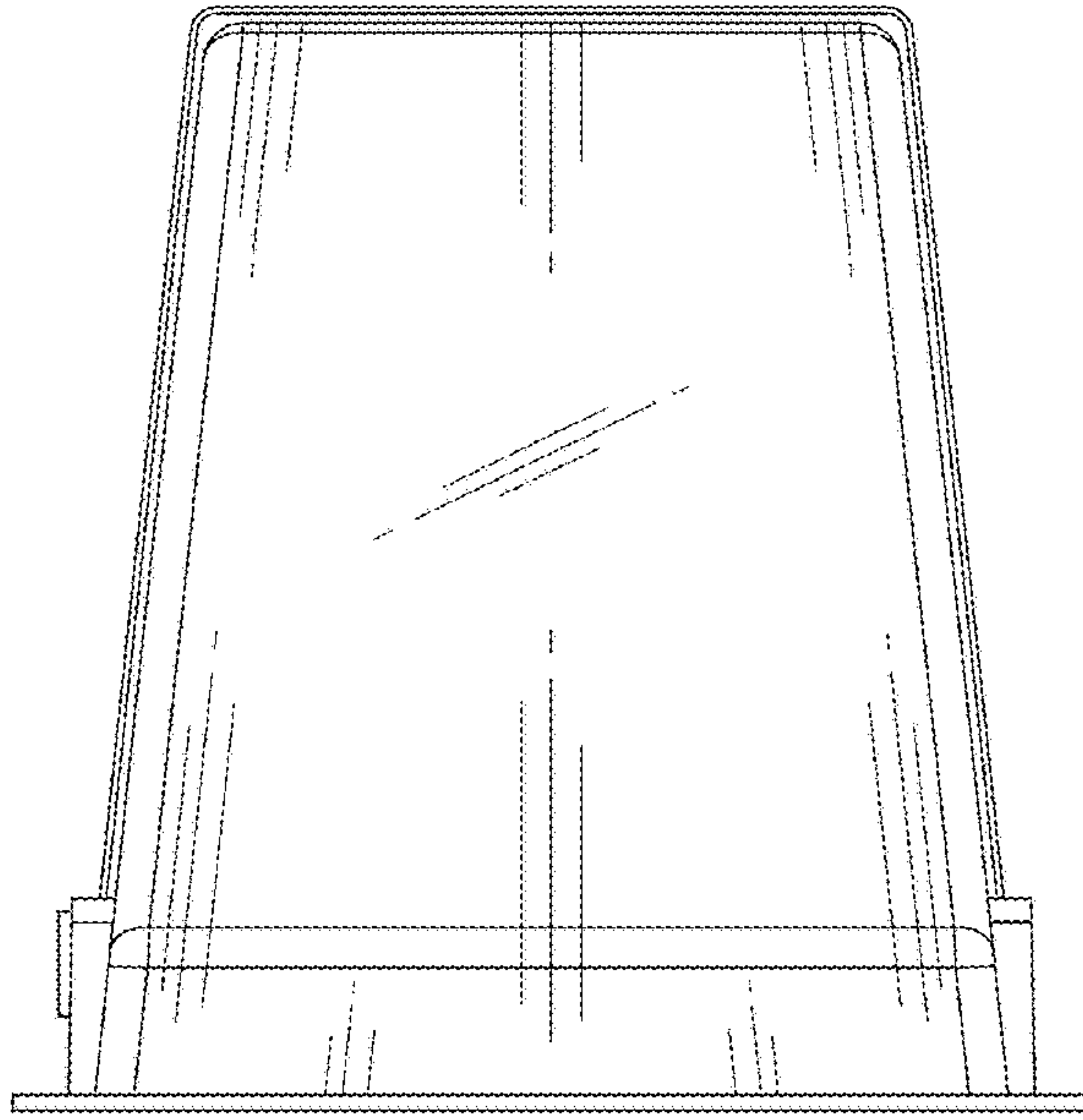


FIG. 5

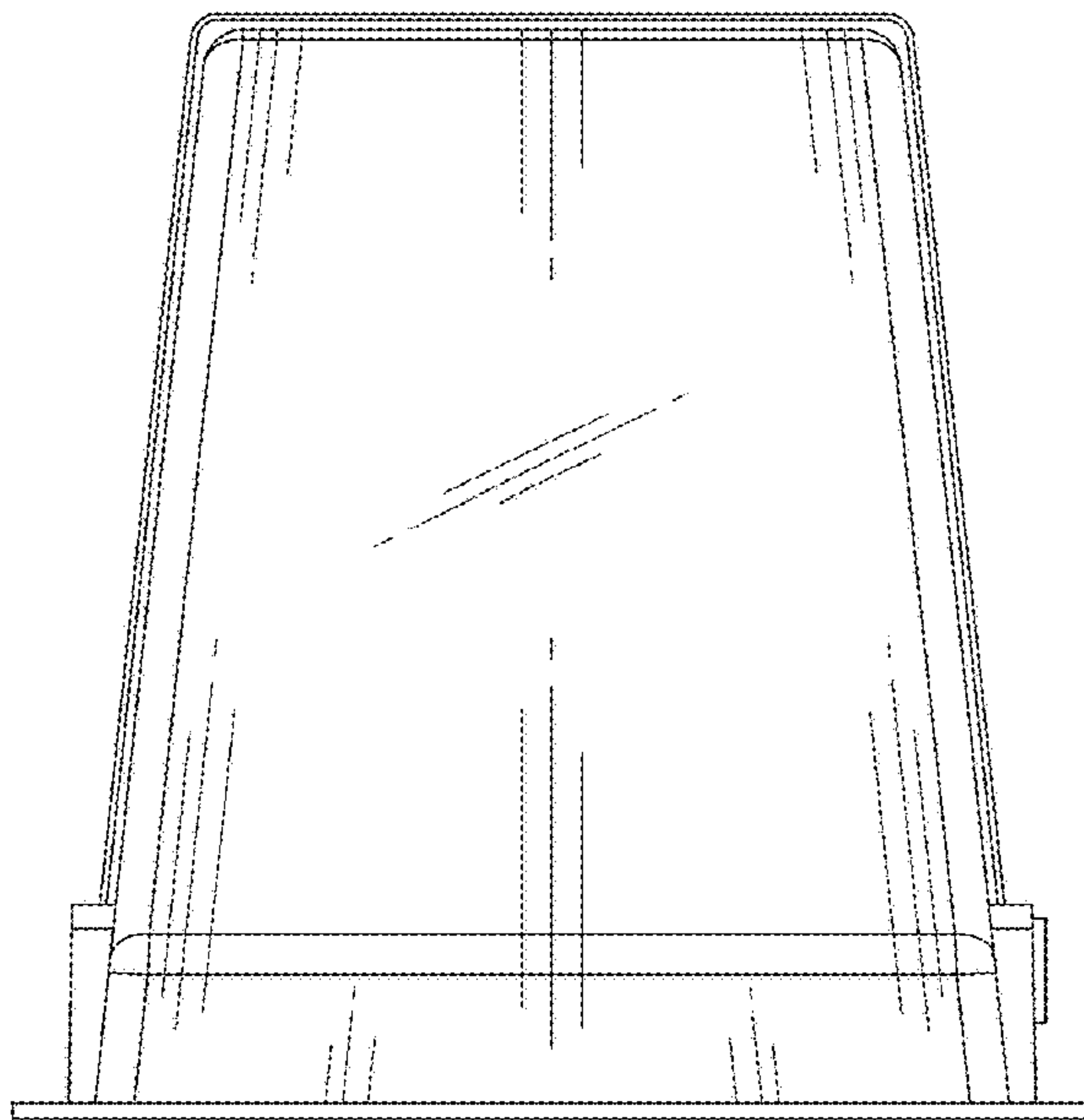


FIG. 6

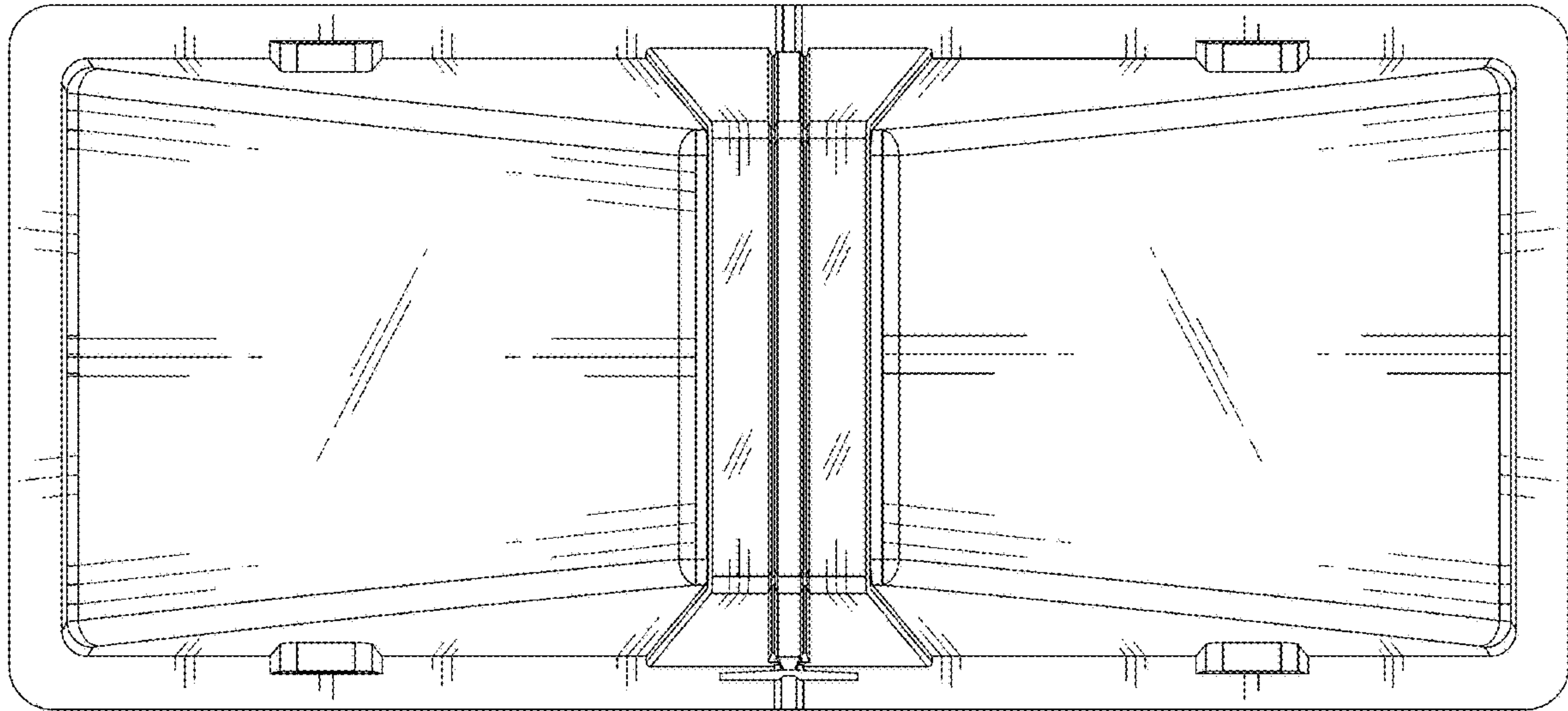


FIG. 7

