



(12) **United States Design Patent**
Hwang

(10) **Patent No.:** **US D850,904 S**
(45) **Date of Patent:** **** Jun. 11, 2019**

(54) **CONTAINER FOR COSMETICS**
(71) Applicant: **FSKOREA. CO., LTD.**, Seoul (KR)
(72) Inventor: **Jae Kwang Hwang**, Seoul (KR)
(73) Assignee: **FSKOREA. CO., LTD.**, Seoul (KR)
(**) Term: **15 Years**

(21) Appl. No.: **29/606,235**
(22) Filed: **Jun. 2, 2017**

(30) **Foreign Application Priority Data**

Jan. 11, 2017 (KR) 30-2017-0001805

(51) **LOC (11) Cl.** **09-03**

(52) **U.S. Cl.**
USPC **D9/420**

(58) **Field of Classification Search**
USPC D9/420, 421, 424-426, 428-430, 434,
D9/435, 503, 504, 522, 529; D28/8, 58,
D28/59, 64.1, 64.6, 76-78, 82, 84, 89,
D28/91; D24/224; D27/629
CPC A45D 33/00-003; A45D 33/006; B65D
85/1045; B65D 5/00; B65D 5/542
See application file for complete search history.

(56) **References Cited**

U.S. PATENT DOCUMENTS

D231,968 S *	7/1974	Juhlin	D7/538
D457,986 S *	5/2002	Rodriguez	D28/78
D473,344 S *	4/2003	Thorpe	D28/82
D473,345 S *	4/2003	Thorpe	D28/82
D496,759 S *	9/2004	Rodriguez	D28/82
D513,992 S *	1/2006	Boyd	D9/414
D523,177 S *	6/2006	Ashiwa	D28/82
D536,975 S *	2/2007	Smith	D9/435
D573,887 S *	7/2008	Bouroullec	D9/529
D646,171 S *	10/2011	Howell	D9/521
D762,990 S *	8/2016	Hwang	D4/138
D798,603 S *	10/2017	Hwang	D4/127

2005/0011806 A1* 1/2005 Byun A45D 33/006
206/581
2011/0266297 A1* 11/2011 Thorpe A45C 13/008
220/831
2014/0261530 A1* 9/2014 McNamara A45D 33/008
132/301

(Continued)

OTHER PUBLICATIONS

“Delilah Cosmetics Color Blush”, posted Aug. 2015 [online], [retrieved Mar. 13, 2018], Retrieved from internet, <http://iamfabulicious.blogspot.com/2015/08/delilah-cosmetics-colour-blush.html>.*

Primary Examiner — Barbara Fox

Assistant Examiner — Mehri F Bajoul

(74) *Attorney, Agent, or Firm* — Studebaker & Brackett PC

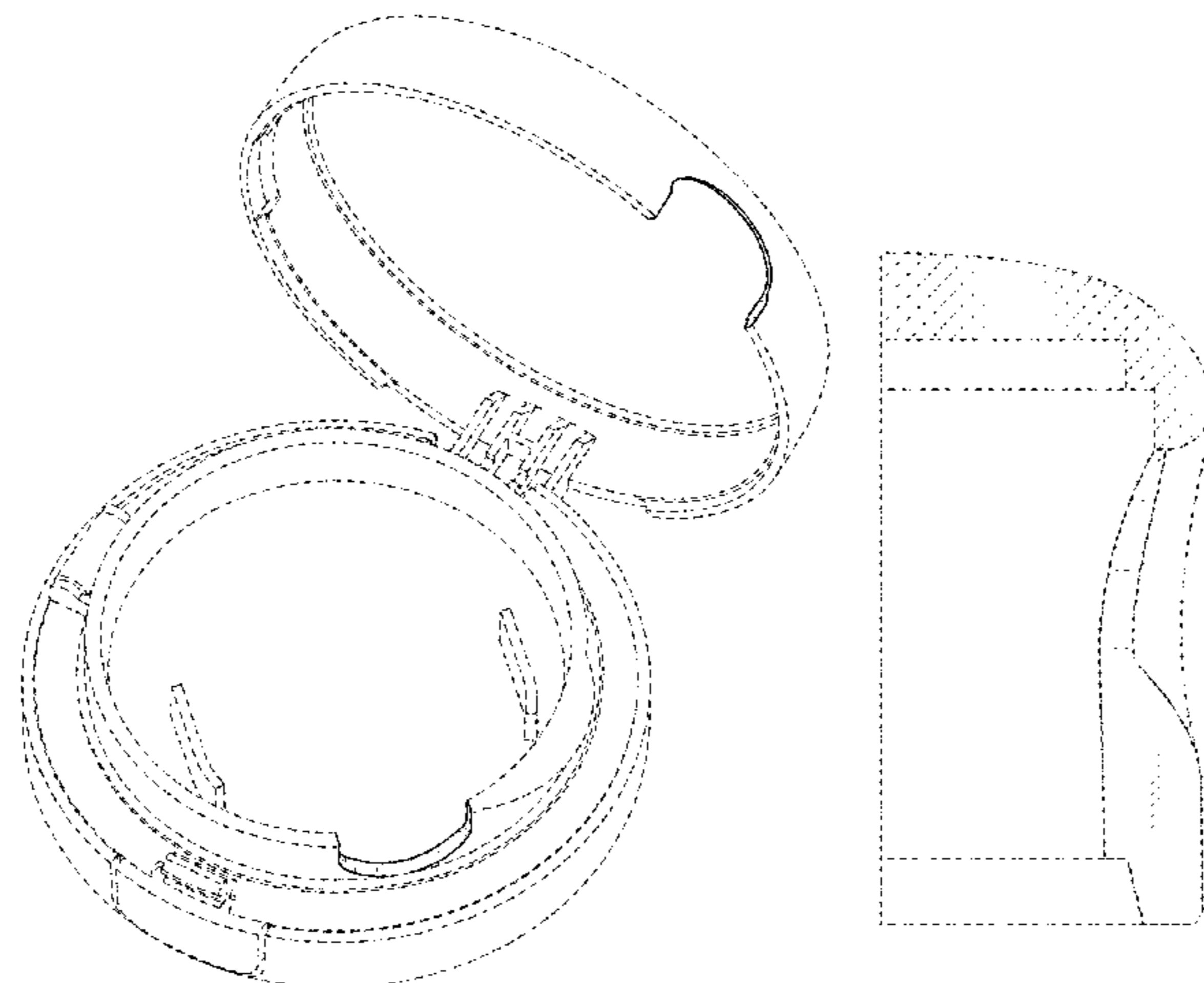
(57) **CLAIM**

The ornamental design for a container for cosmetics, as shown and described.

DESCRIPTION

FIG. 1 is a perspective view of a container for cosmetics showing my new design;
FIG. 2 is a front view thereof;
FIG. 3 is a rear view thereof;
FIG. 4 is a left side view thereof;
FIG. 5 is a right side view thereof;
FIG. 6 is a top plan view thereof;
FIG. 7 is a bottom plan view thereof;
FIG. 8 is a perspective view of FIG. 1 showing the state that a brush is combined to the container for cosmetics;
FIG. 9 is a view of the interiors of the portion indicated as the line 9-9 of FIG. 2; and,
FIG. 10 is a view of the interiors of the portion indicated as the line 10-10 of FIG. 2.
The broken lines shown in the drawings depict portions of the container for cosmetics that form no part of the claimed design.

1 Claim, 10 Drawing Sheets



(56)

References Cited

U.S. PATENT DOCUMENTS

2016/0255939	A1 *	9/2016	Seo	A45D 33/006
2017/0020263	A1 *	1/2017	Chang	A45D 33/003
2017/0086560	A1 *	3/2017	Pires	A45D 33/32
2017/0099930	A1 *	4/2017	Kim	A45D 33/008
2017/0245622	A1 *	8/2017	Cicchetti	A45D 40/222

* cited by examiner

FIG. 1

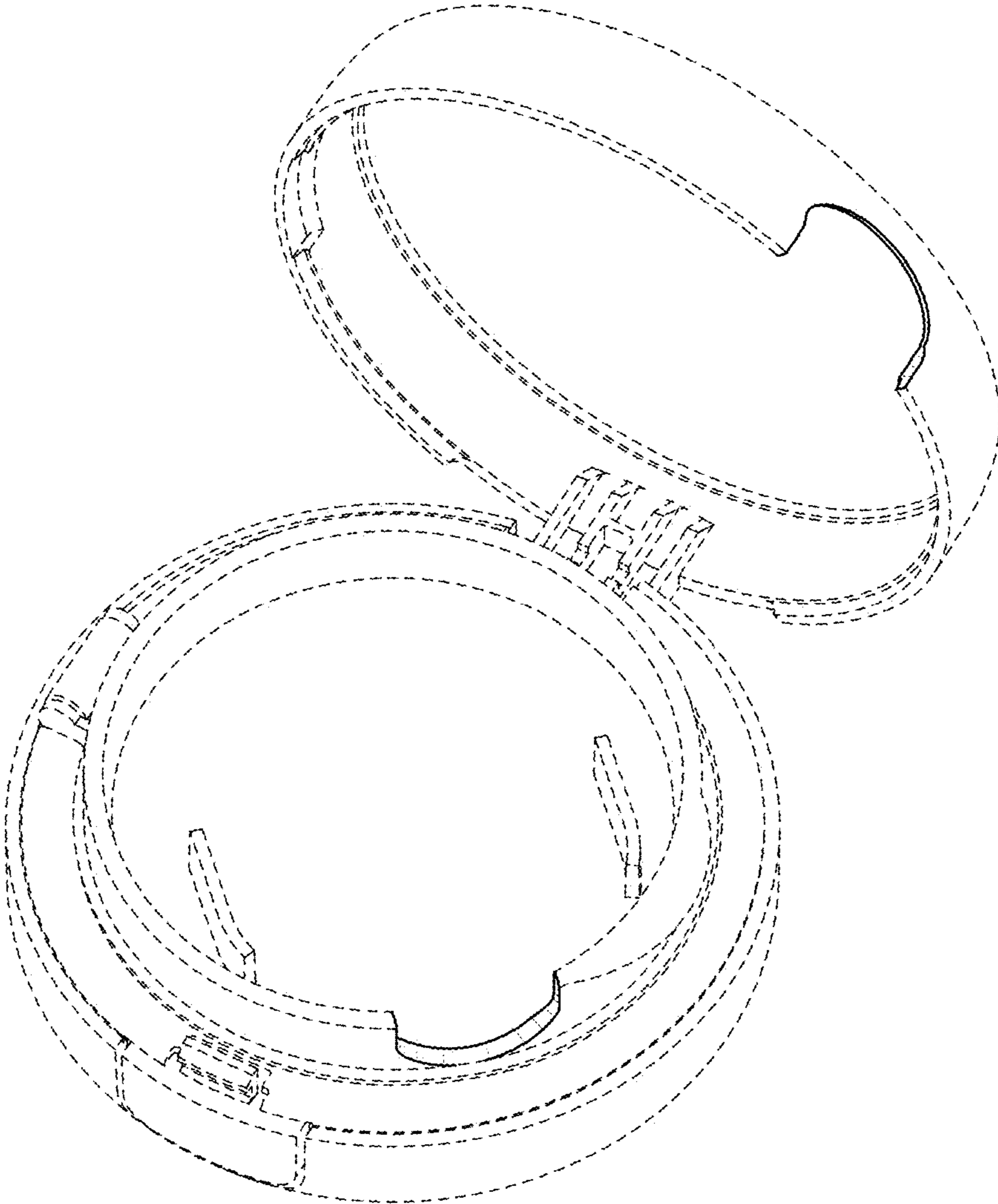


FIG. 2

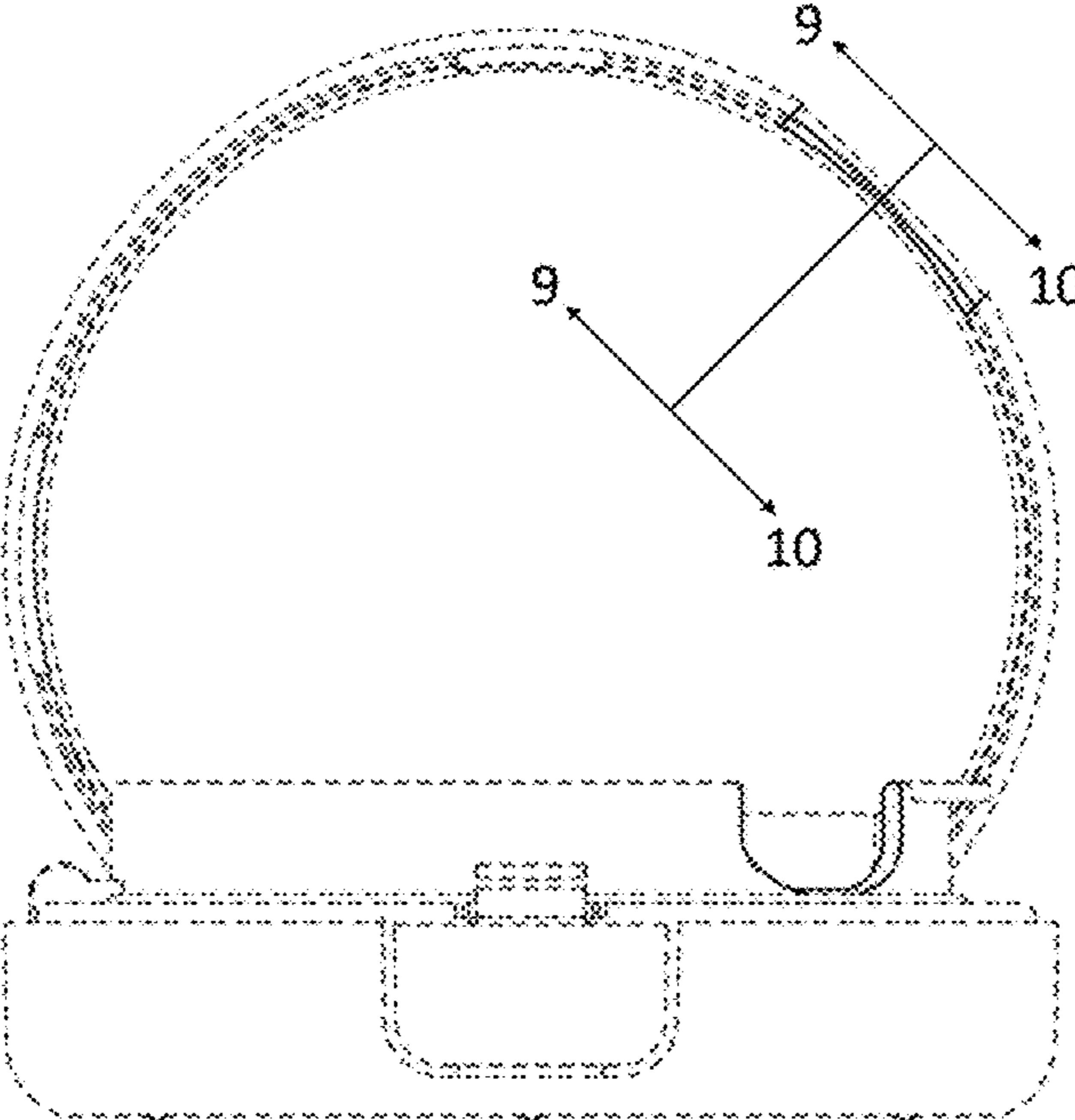


FIG. 3

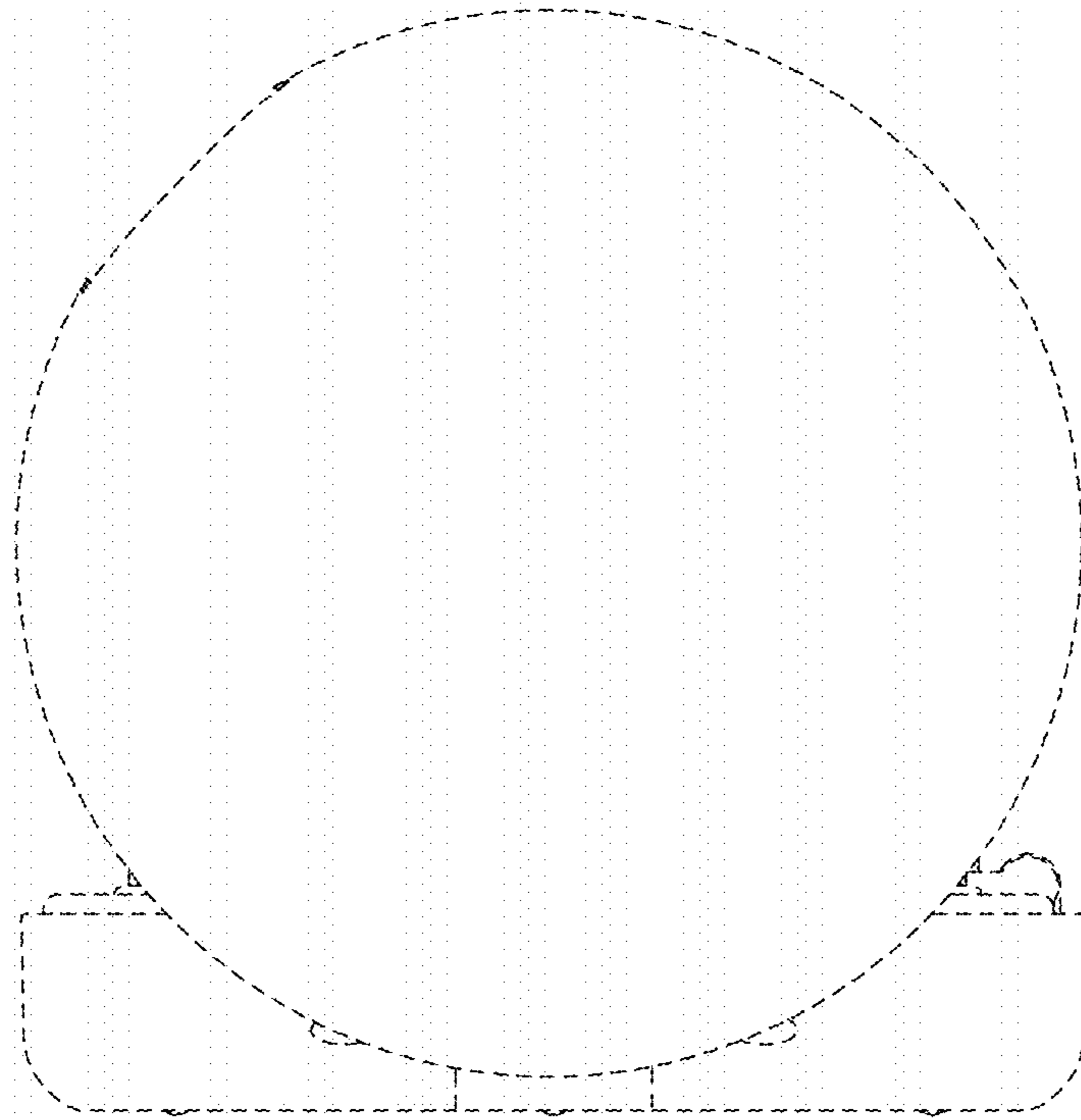


FIG. 4

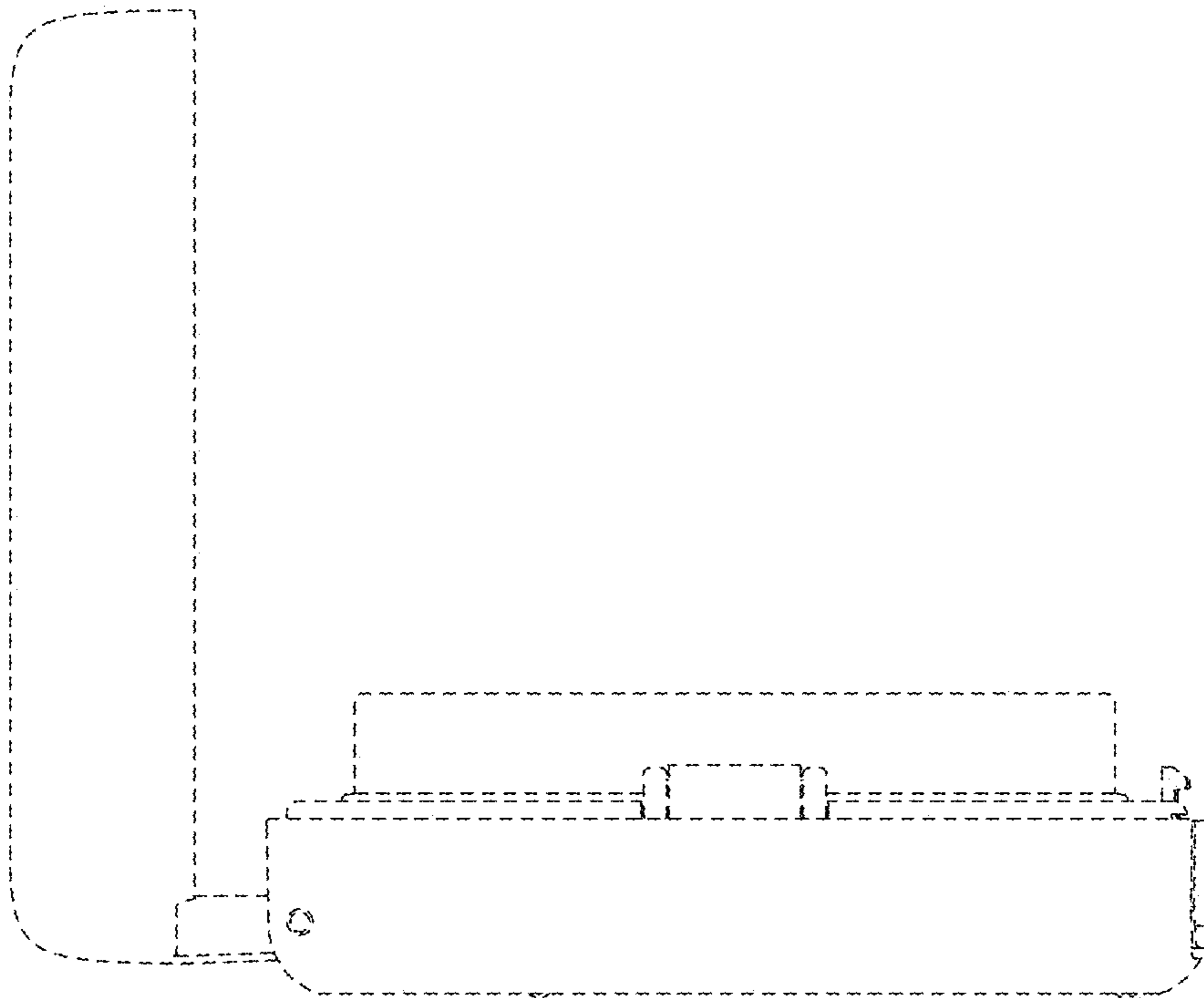


FIG. 5

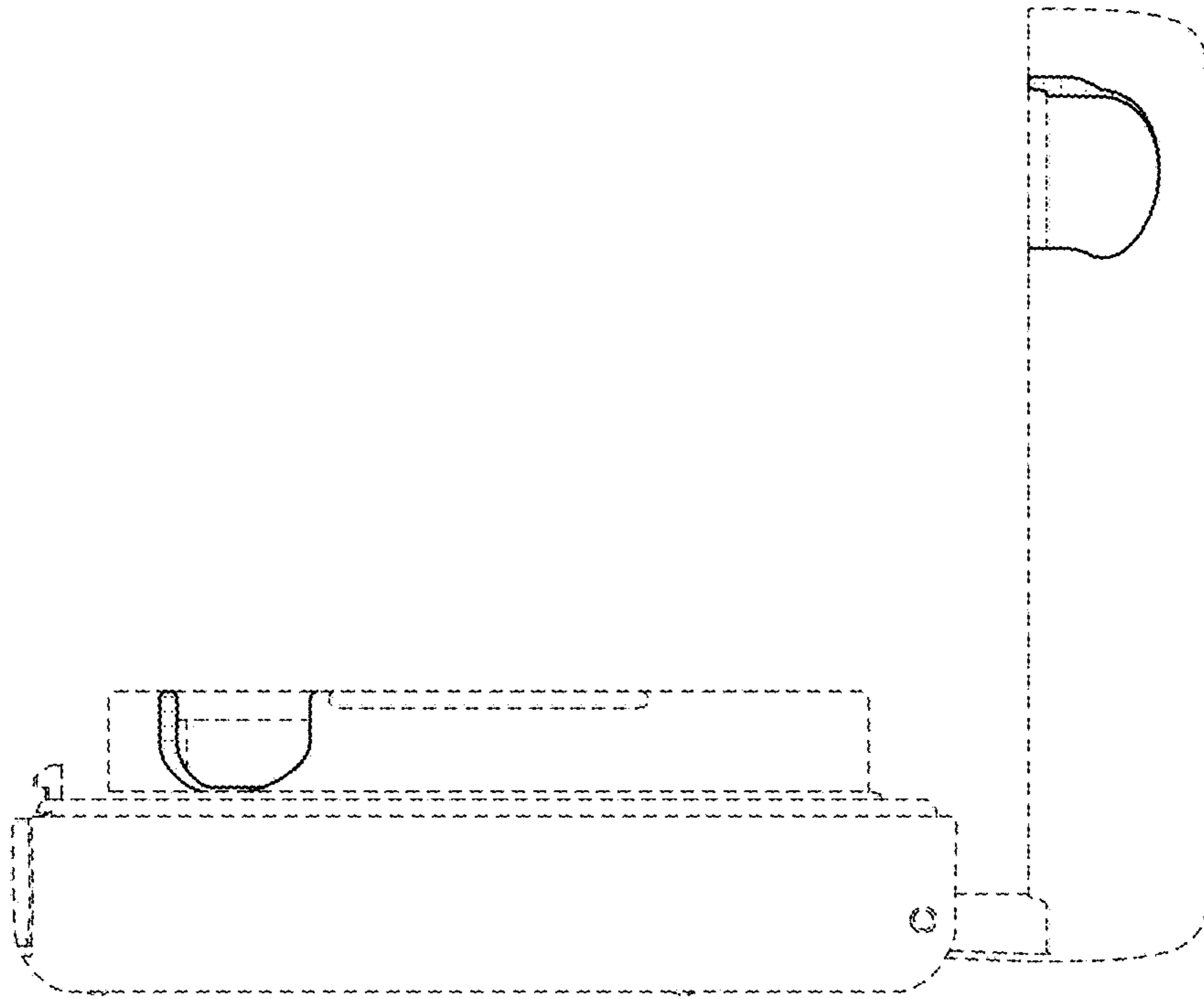


FIG. 6

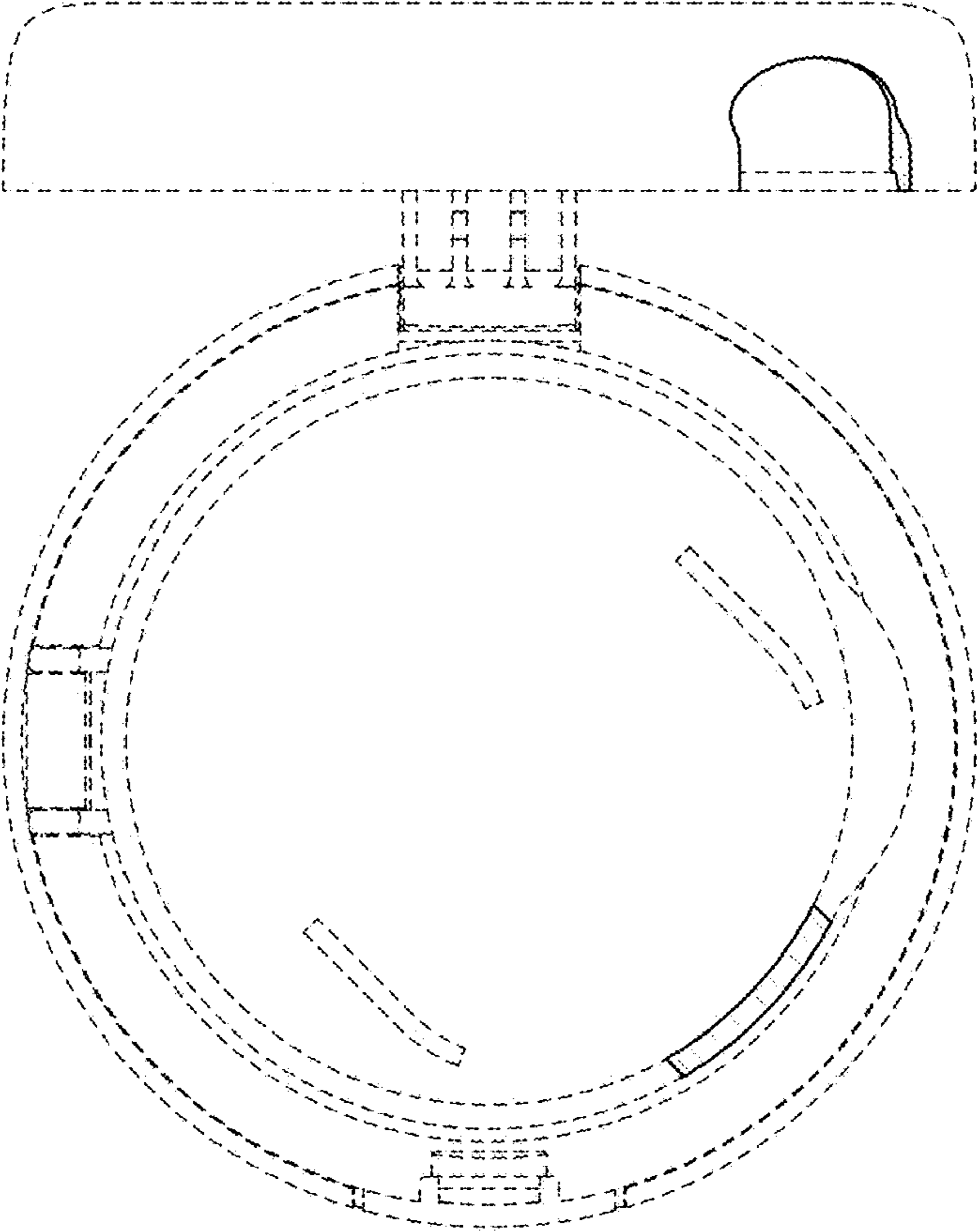


FIG. 7

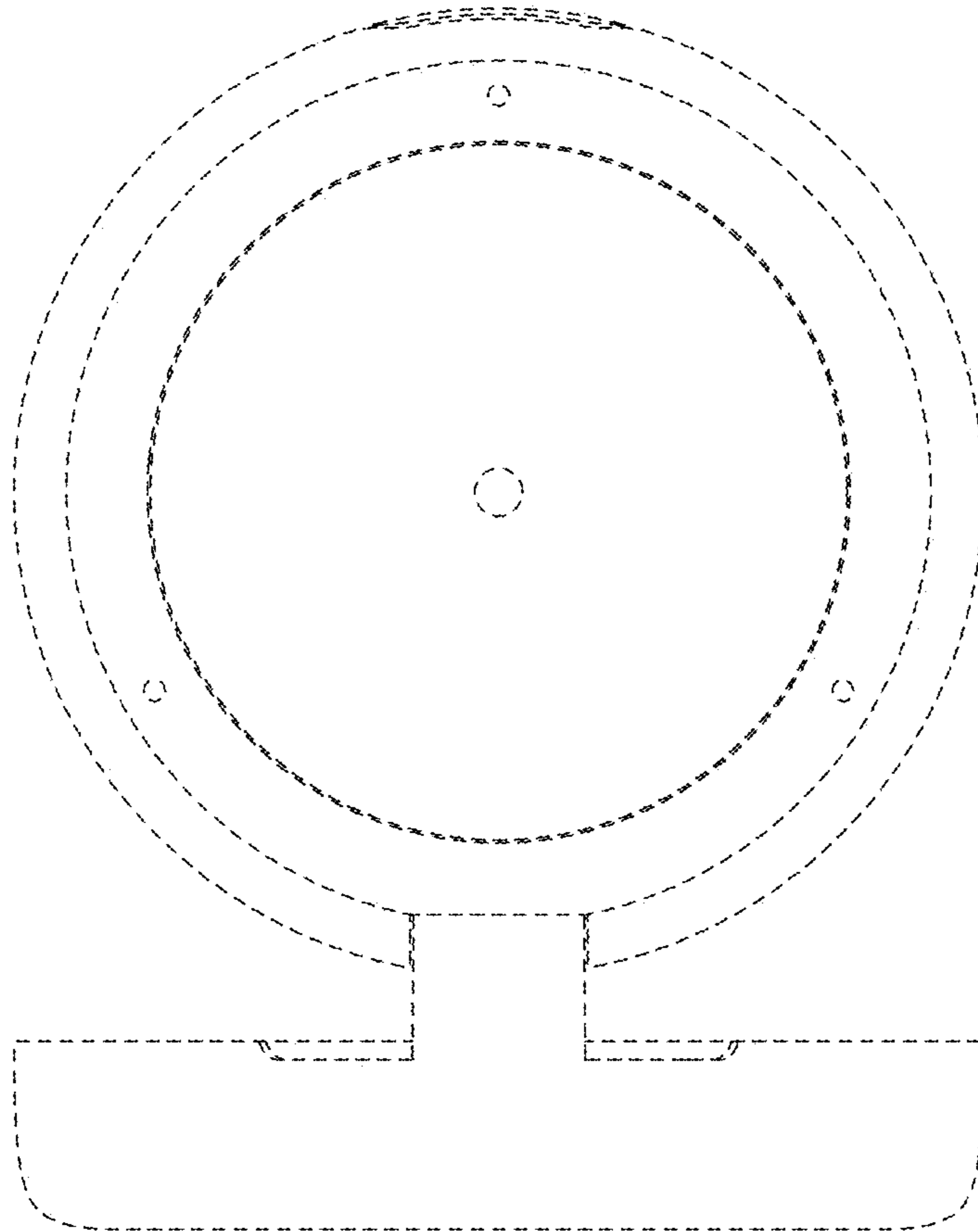


Fig. 8

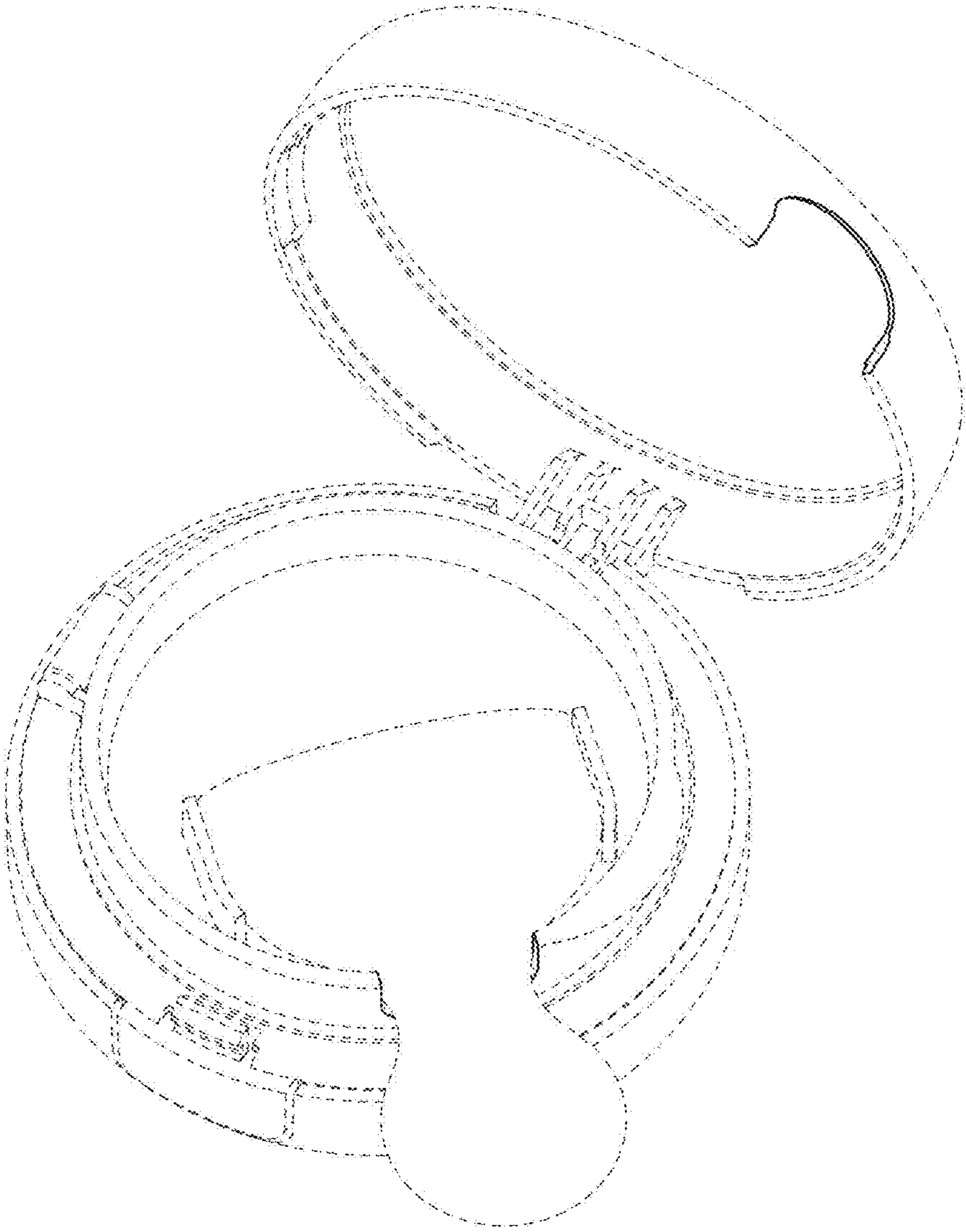


FIG. 9

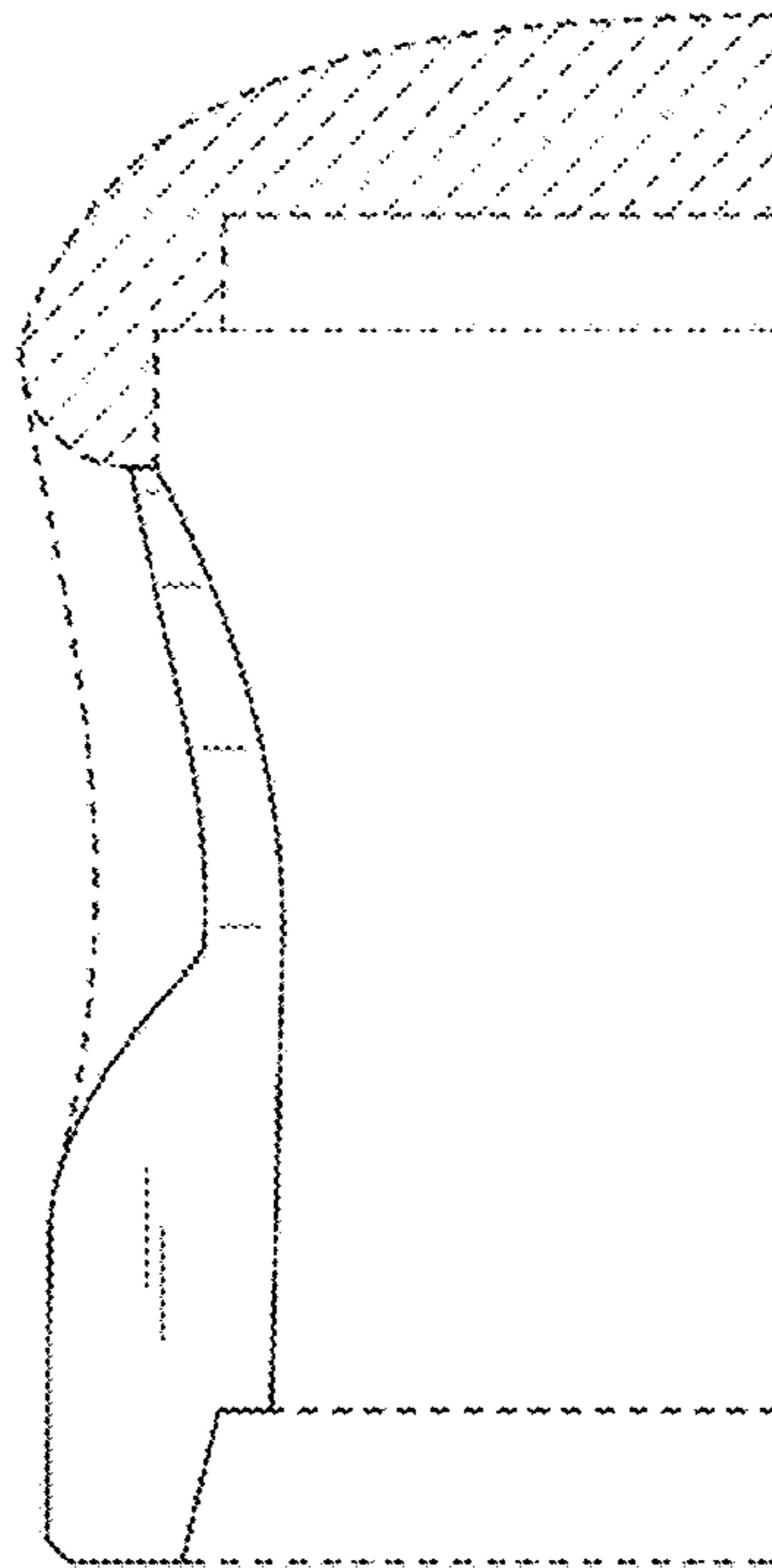


FIG. 10

