



US00D850902S

(12) **United States Design Patent**
Raut et al.

(10) **Patent No.: US D850,902 S**
(45) **Date of Patent: ** Jun. 11, 2019**

- (54) **CONTAINER**
- (71) Applicant: **Blue Apron, LLC**, New York, NY (US)
- (72) Inventors: **Gaurav Raut**, New York, NY (US);
Amelia Bryant Black, Brooklyn, NY (US); **Gaurav Nandkishor Kale**, Edison, NJ (US)
- (73) Assignee: **Blue Apron, LLC**, New York, NY (US)
- (**) Term: **15 Years**
- (21) Appl. No.: **29/640,183**
- (22) Filed: **Mar. 12, 2018**
- (51) **LOC (11) Cl.** **09-03**
- (52) **U.S. Cl.**
USPC **D9/414**
- (58) **Field of Classification Search**
USPC D9/418, 420, 424, 425, 426, 430, 431,
D9/432, 433, 438, 449, 629, 711, 737;
D7/546, 549, 538, 553, 601, 602, 615,
D7/701; 229/111, 112, 222, 230, 902,
229/904
CPC . B65D 5/00; B65D 5/66; B65D 5/325; B65D
5/5253; B65D 5/5246; B65D 5/6644;
B65D 1/34; B65D 81/3813; B65D
43/163; B65D 21/00
See application file for complete search history.

5,860,530 A *	1/1999	Simmons	B65D 43/021
				206/557
D408,733 S *	4/1999	McCann	D9/423
D408,734 S *	4/1999	McCann	D9/423
D420,584 S *	2/2000	Hopkins	D9/415
D540,666 S *	4/2007	Ramirez	D9/423
D657,237 S *	4/2012	Allers	D9/423
D664,841 S *	8/2012	Allers	D9/423
D668,536 S *	10/2012	Sanfilippo	D9/423
D681,450 S *	5/2013	Wichmann	D9/432
D684,466 S *	6/2013	Wichmann	D9/426
D734,664 S *	7/2015	Murphy	D9/426
D742,219 S *	11/2015	Murphy	D9/426
D816,482 S *	5/2018	Street	D9/423
D821,820 S *	7/2018	Chen	D7/542
D824,249 S *	7/2018	Mei	D9/426

* cited by examiner

Primary Examiner — Wan Laymon
Assistant Examiner — Clint A Samuel
(74) *Attorney, Agent, or Firm* — Sterne, Kessler,
Goldstein & Fox P.L.L.C.

(57) **CLAIM**

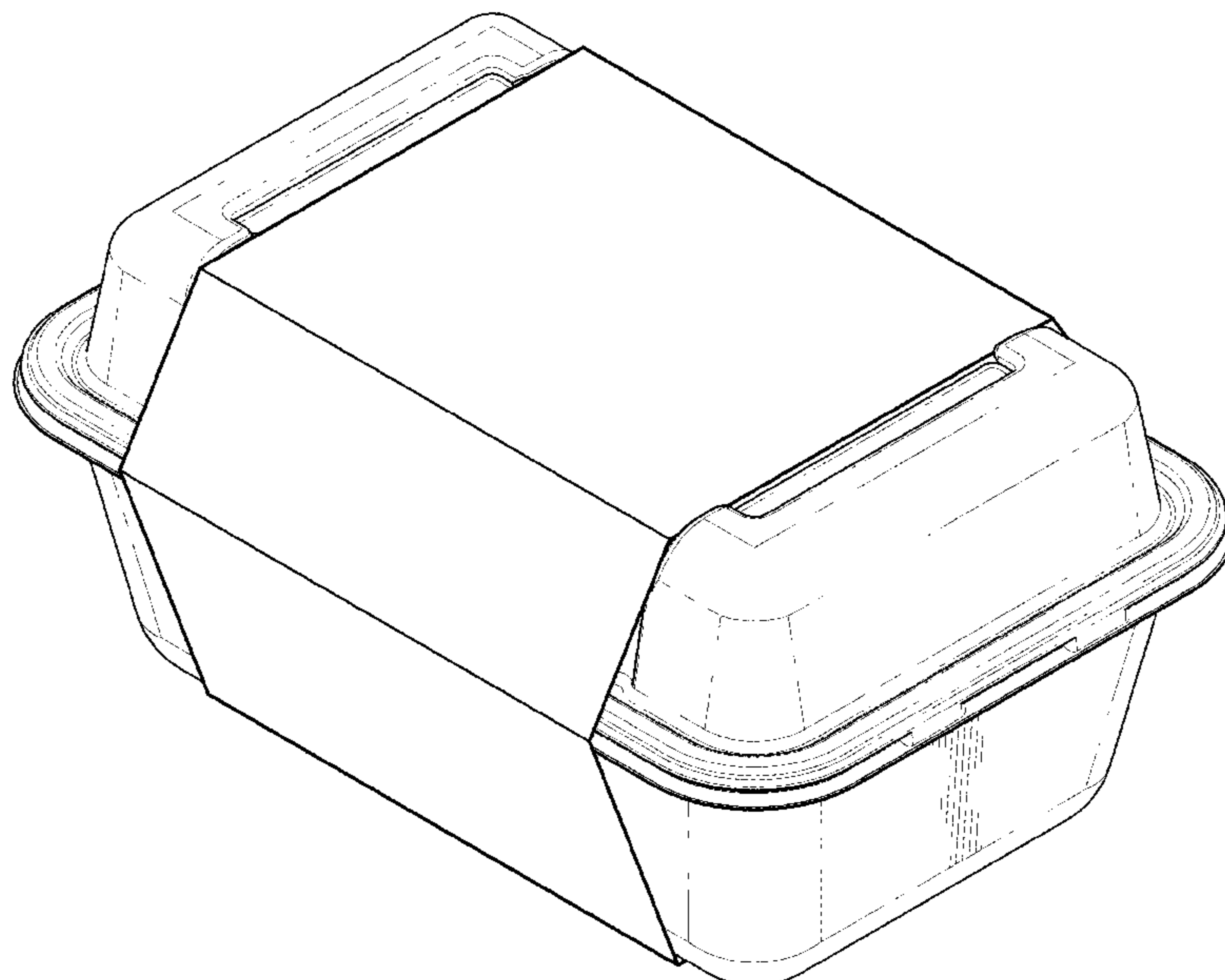
The ornamental design for a container, as shown and described.

DESCRIPTION

FIG. 1 is a top perspective view of a container showing the claimed design;
FIG. 2 is a bottom perspective view thereof;
FIG. 3 is a front view thereof;
FIG. 4 is a rear view thereof;
FIG. 5 is a left side view thereof;
FIG. 6 is a right side view thereof;
FIG. 7 is a top view thereof; and,
FIG. 8 is a bottom view thereof.
The broken lines in the figures show portions of the container that form no part of the claimed design.

1 Claim, 8 Drawing Sheets

- (56) **References Cited**
U.S. PATENT DOCUMENTS
D240,802 S * 8/1976 Congleton D9/423
D241,822 S * 10/1976 Jewell D9/423
D277,167 S * 1/1985 Dart D9/414
4,576,330 A * 3/1986 Schepp B65D 43/162
220/315



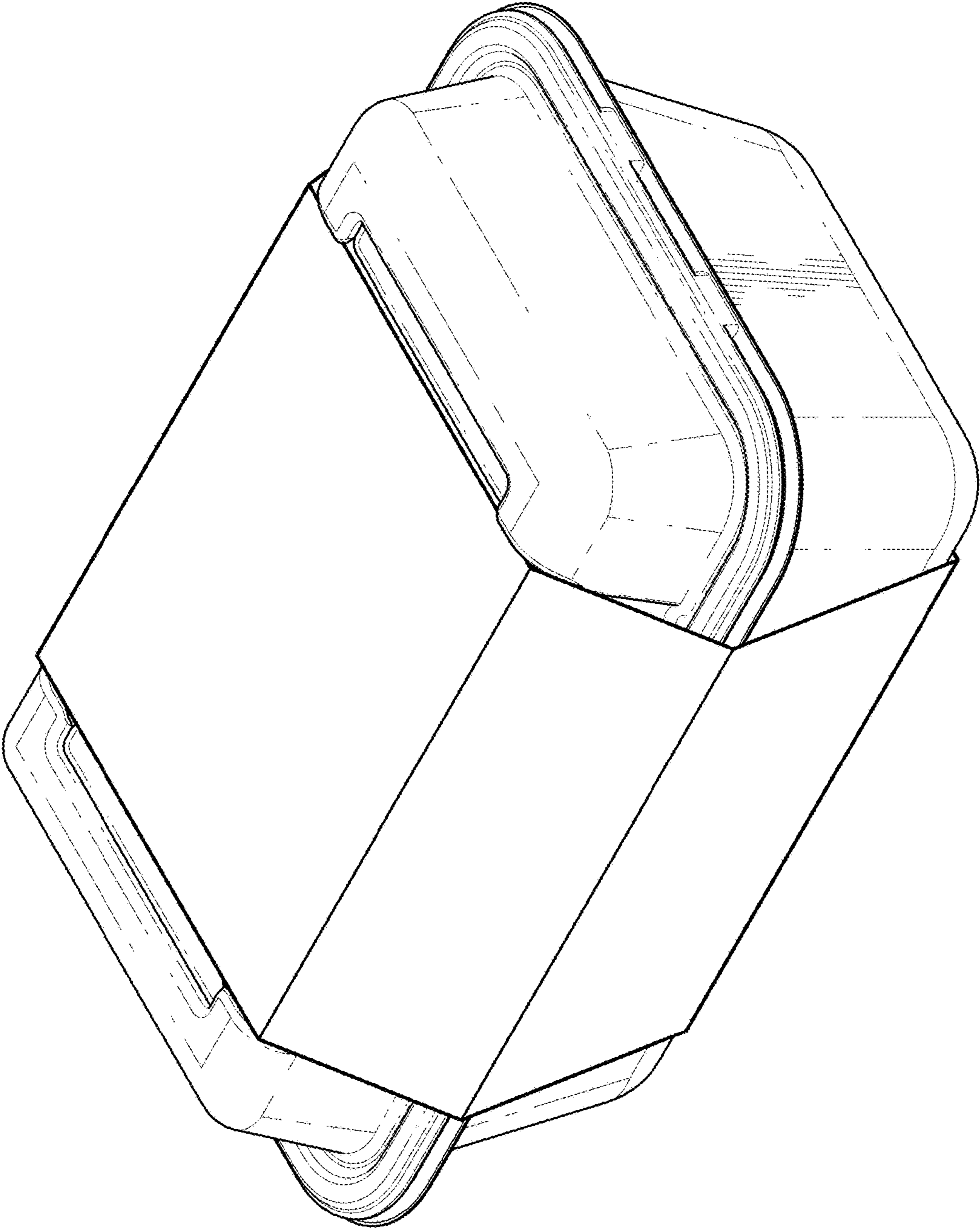


FIG.1

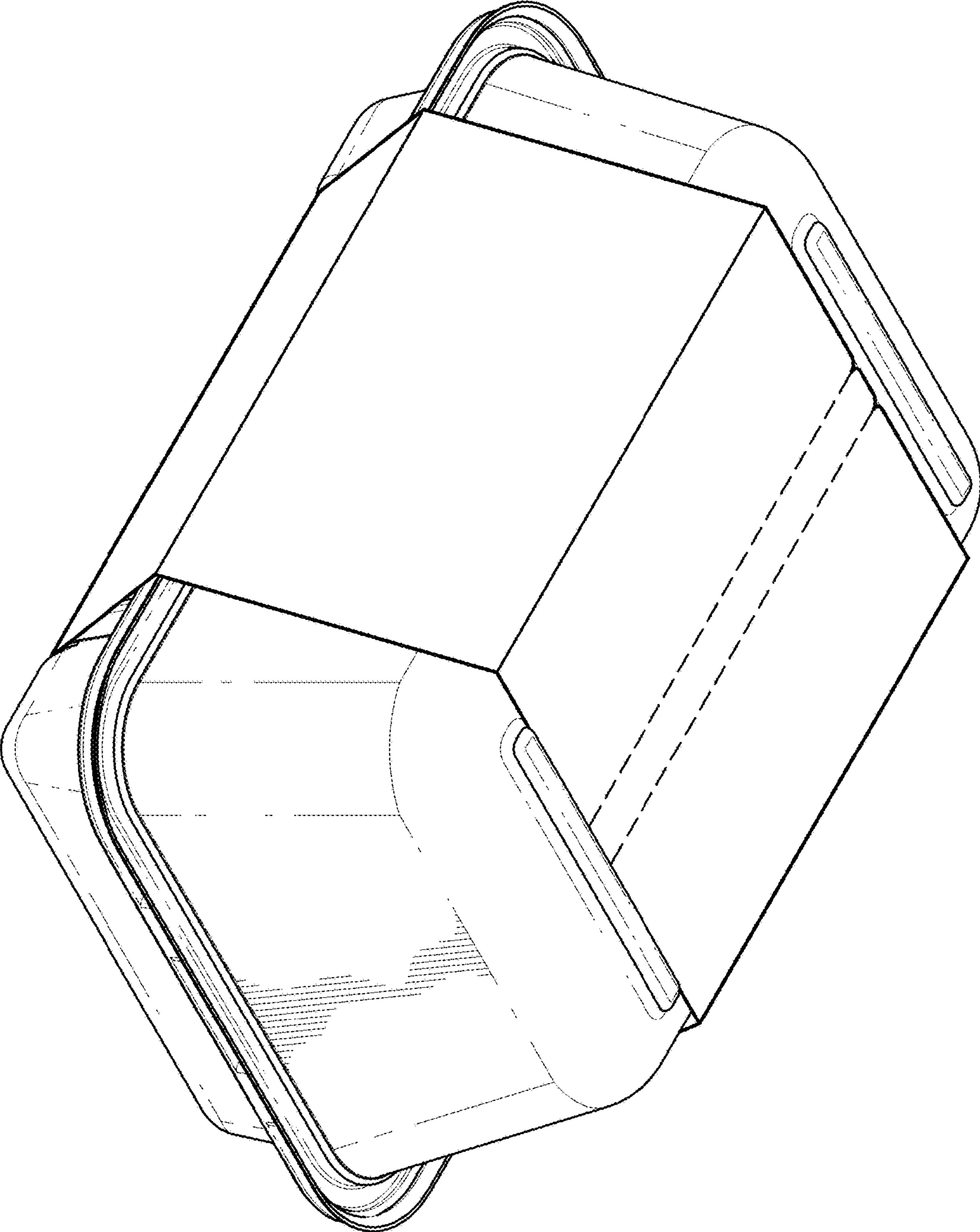


FIG.2

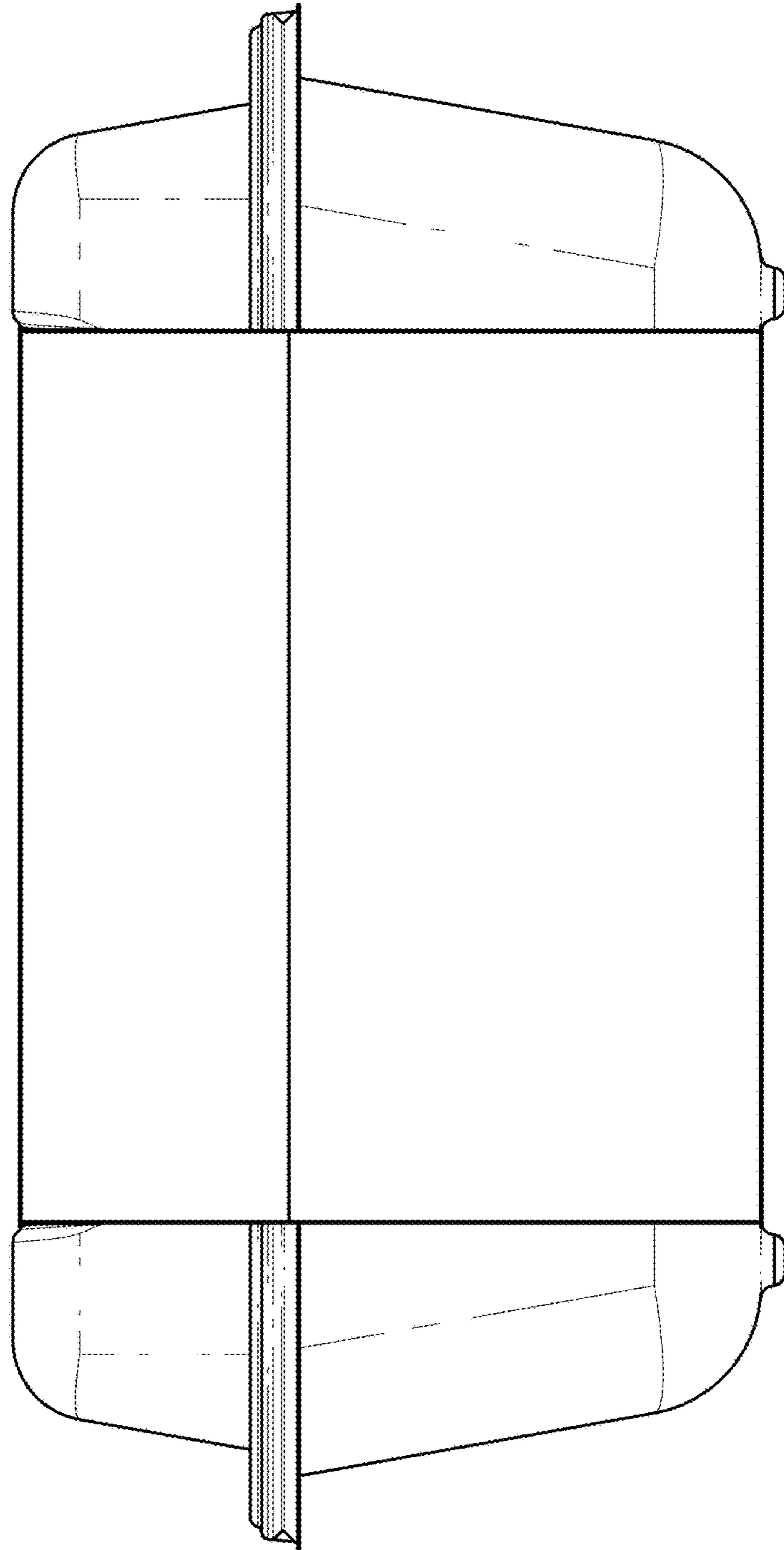


FIG.3

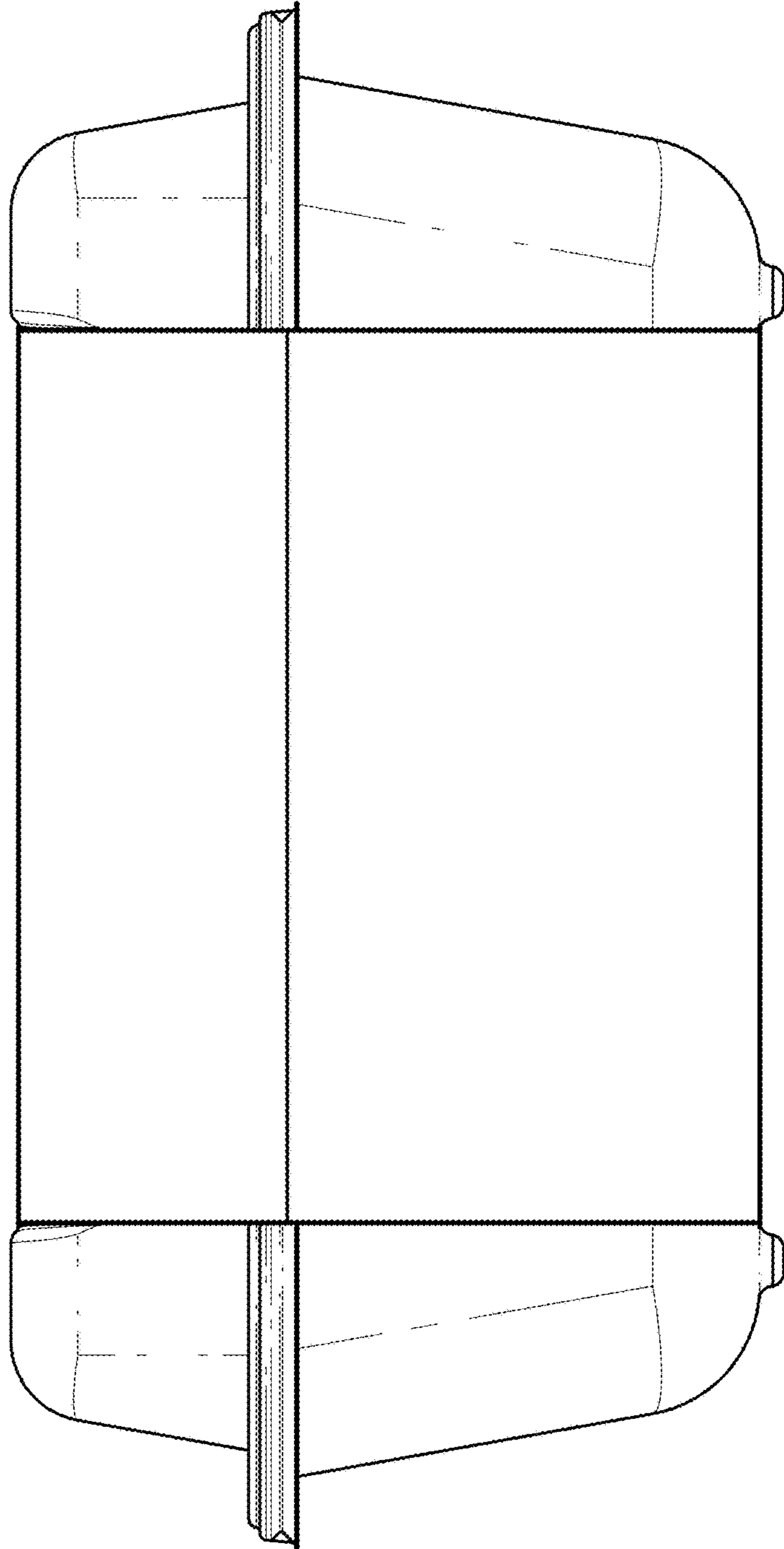


FIG.4

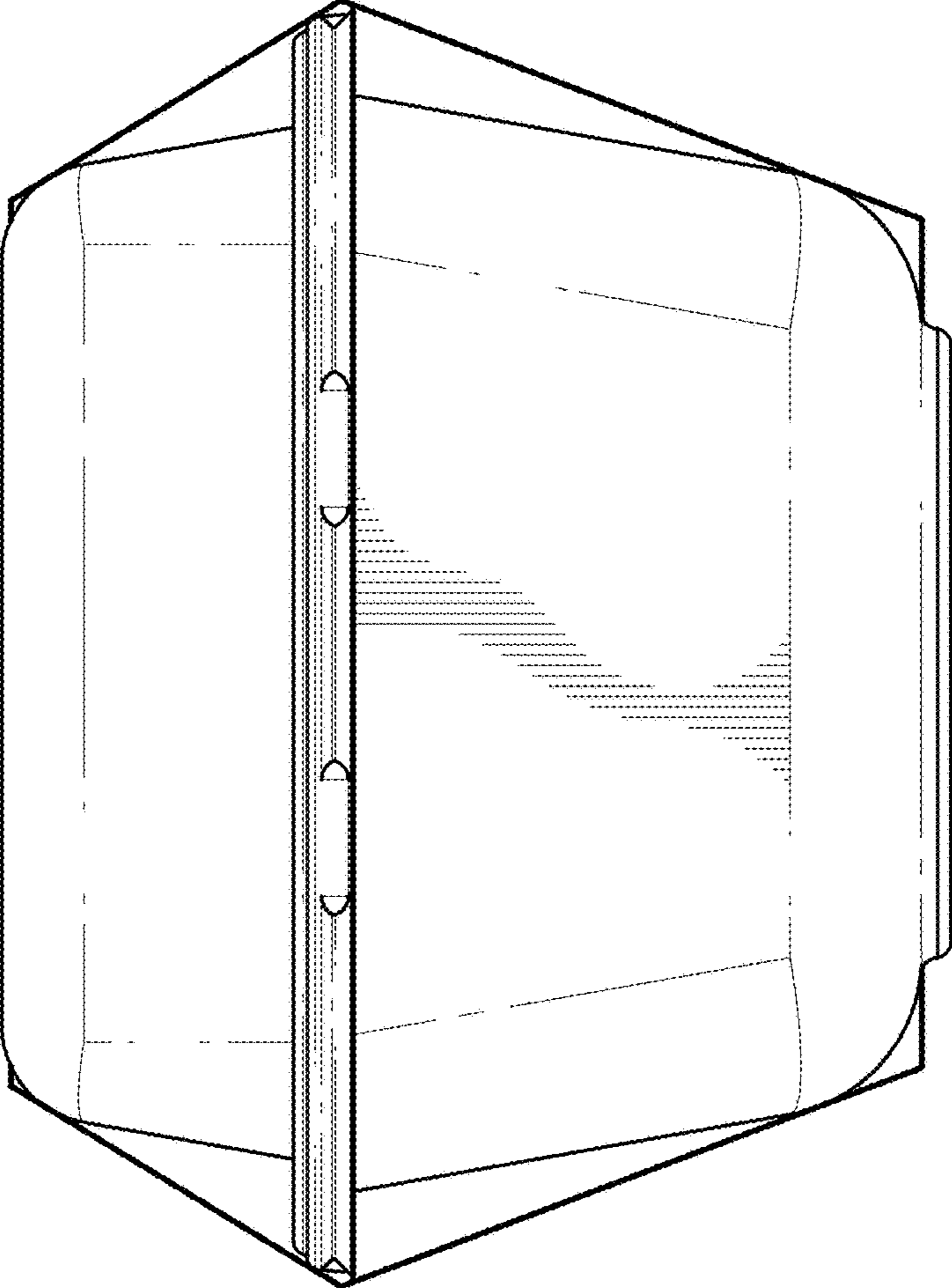


FIG. 5

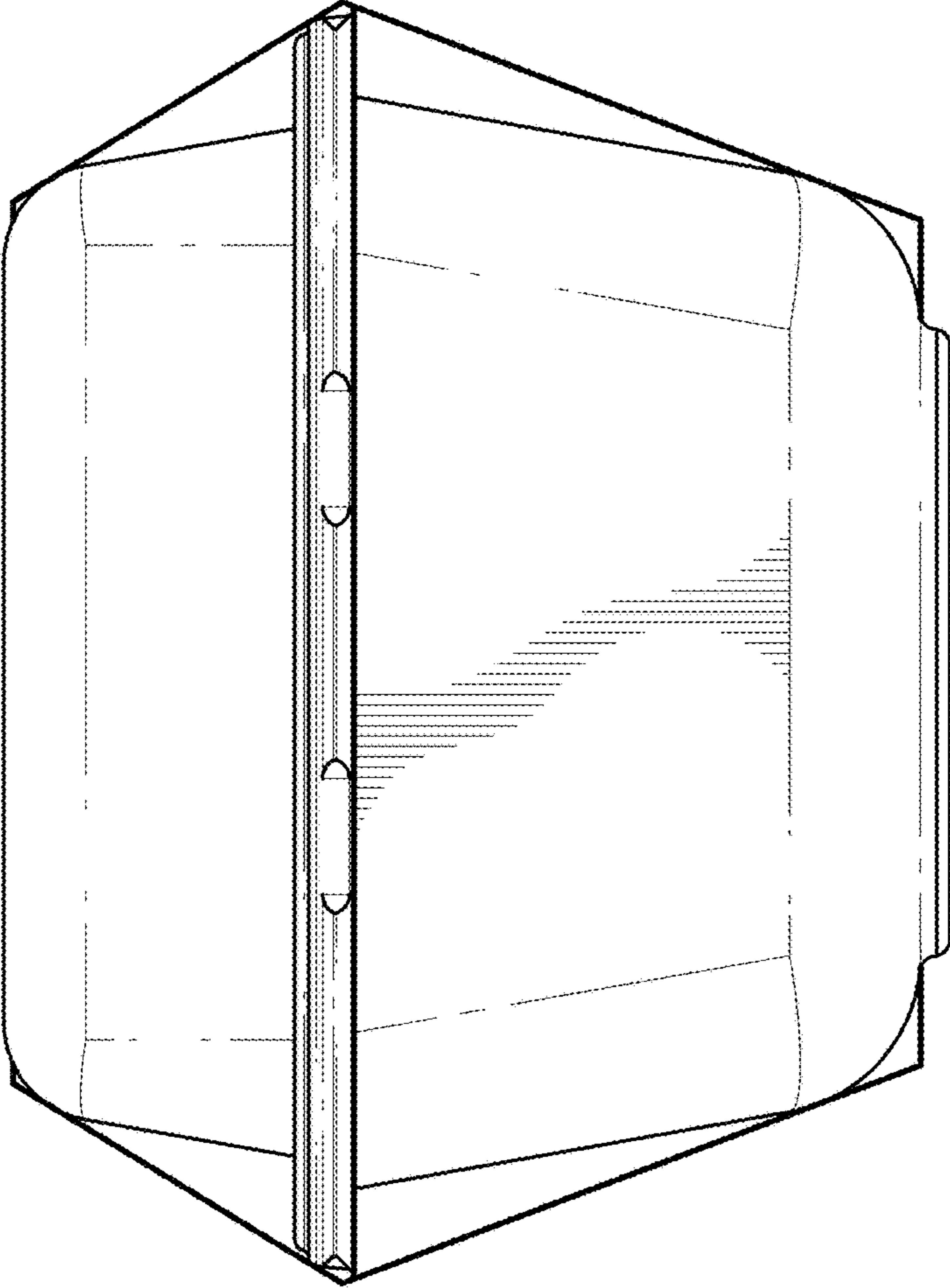


FIG. 6

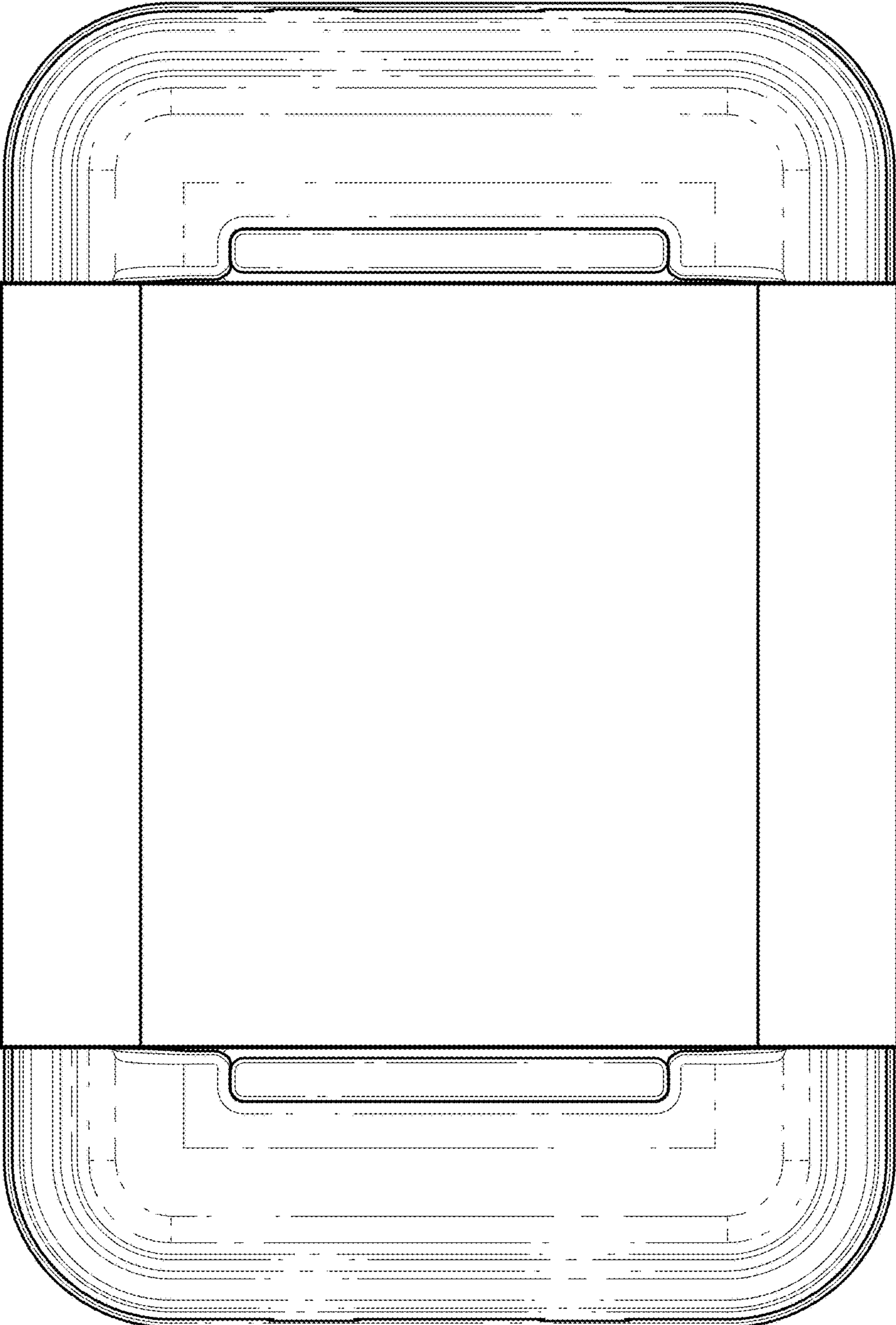


FIG.7

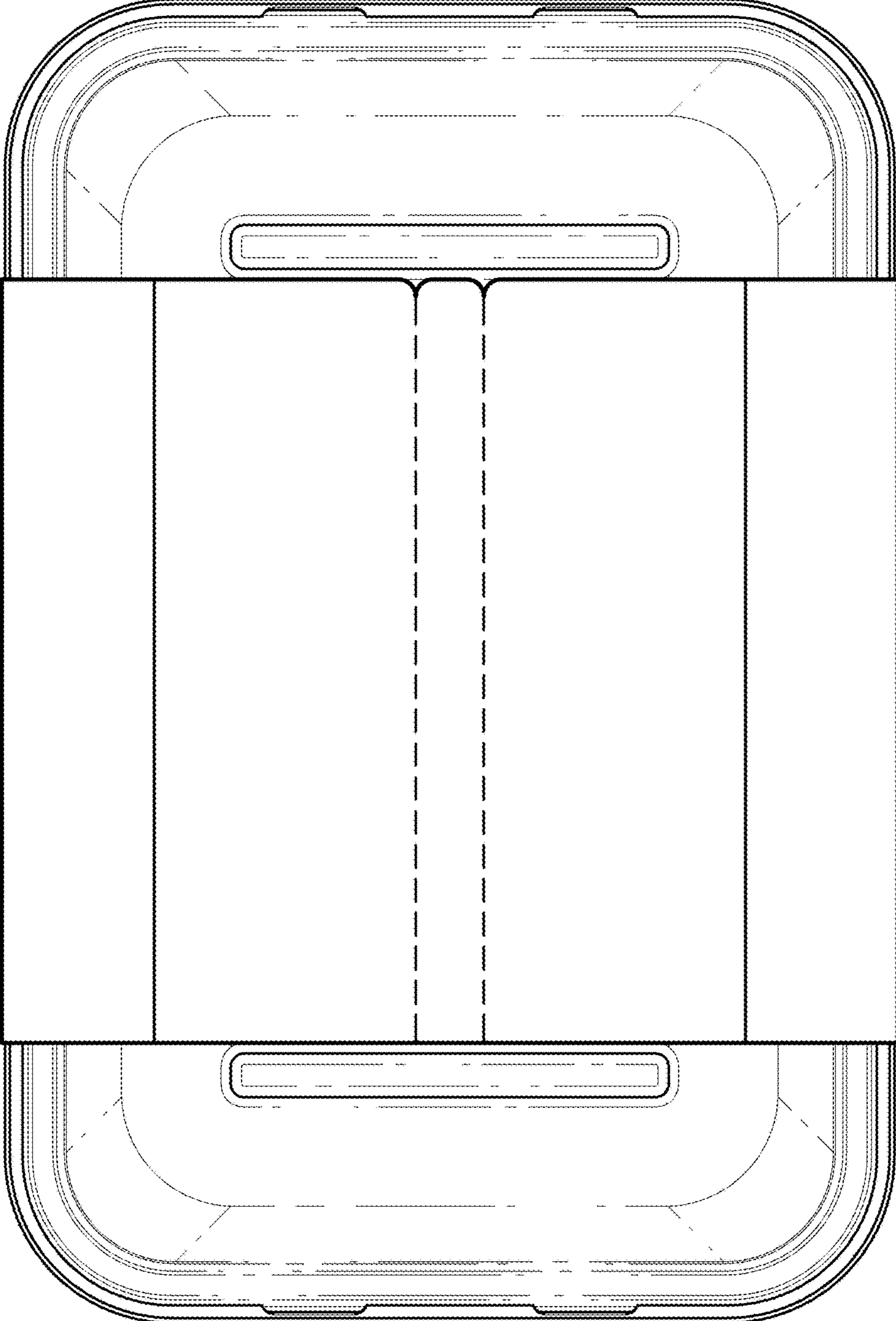


FIG. 8