



US00D850900S

(12) **United States Design Patent** (10) **Patent No.:** **US D850,900 S**  
**Yesavage et al.** (45) **Date of Patent:** **\*\* Jun. 11, 2019**

- (54) **HINGED COUPLING**
- (71) Applicant: **Victaulic Company**, Easton, PA (US)
- (72) Inventors: **Alan M. Yesavage**, Lenhartsville, PA (US); **Matthew A. Bowman**, Palmer, PA (US); **Philip Wayne Bancroft**, Belvidere, NJ (US); **Kathryn E. Yovanovich**, Nazareth, PA (US); **Ahmad Sith**, Bethlehem, PA (US); **Scott D. Madara**, Nazareth, PA (US)
- (73) Assignee: **Victaulic Company**, Easton, PA (US)
- (\*\*) Term: **15 Years**
- (21) Appl. No.: **29/624,060**
- (22) Filed: **Oct. 30, 2017**

D536,607 S 2/2007 Bekkevold  
 D536,958 S \* 2/2007 Ruhlander ..... D8/396  
 D568,451 S \* 5/2008 Gibb ..... D23/262  
 (Continued)

**FOREIGN PATENT DOCUMENTS**

CN 302782167 4/2014  
 KR 300881898-0000 \* 11/2016

**OTHER PUBLICATIONS**

Repair Clamp Hinge | Enxia, website copyright 2018, <http://www.enxia.fi/products/yn-couplings/repair-clamp-hinge/?lang=en>, site visited May 12, 2018.\*

(Continued)

*Primary Examiner* — John Windmuller  
*Assistant Examiner* — John R Yeh  
 (74) *Attorney, Agent, or Firm* — Ballard Spahr LLP

(57) **CLAIM**

We claim the ornamental design for a hinged coupling, as shown and described.

**DESCRIPTION**

FIG. 1 is an isometric view of our design for a hinged coupling;  
 FIG. 2 is a front view of the design of the hinged coupling shown in FIG. 1;  
 FIG. 3 is a rear view of the design of the hinged coupling shown in FIG. 1;  
 FIG. 4 is a bottom view of the design of the hinged coupling shown in FIG. 1;  
 FIG. 5 is a top view of the design of the hinged coupling shown in FIG. 1; and,  
 FIG. 6 is a left side view of the design of the hinged coupling shown in FIG. 1, the right side view being a mirror image thereof.

The broken lines depict portions of the hinged coupling that form no part of the claimed design.

**1 Claim, 4 Drawing Sheets**

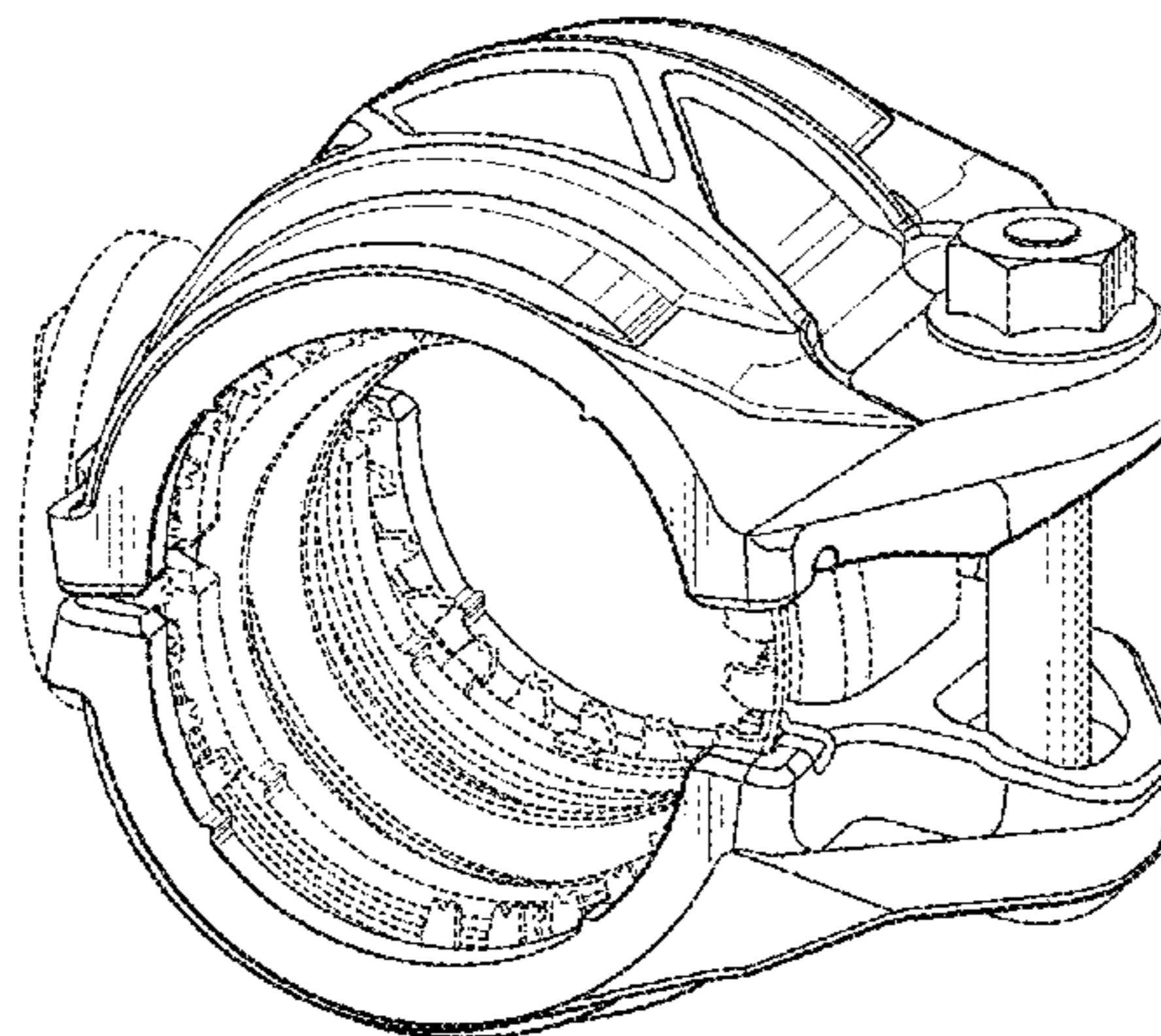
**Related U.S. Application Data**

- (62) Division of application No. 29/581,927, filed on Oct. 24, 2016, now Pat. No. Des. 813,025.
- (51) **LOC (11) Cl.** ..... **07-05**
- (52) **U.S. Cl.**  
USPC ..... **D8/396**; D23/262
- (58) **Field of Classification Search**  
USPC ..... D8/394–396, 71–72, 79; D23/262–265; D25/199; D12/415  
CPC ..... F16L 3/1075; F16L 3/2336; F16L 3/12; F16L 55/18; F16L 21/06; F16L 17/00; F16L 23/00; F16B 11/006; F16B 5/06; A44C 5/22; A42B 3/14; B65H 59/00  
See application file for complete search history.

(56) **References Cited**

**U.S. PATENT DOCUMENTS**

D142,057 S 8/1945 Baxter  
 5,384,936 A \* 1/1995 Van Walraven ..... F16L 3/12  
 D376,974 S 12/1996 Chen 24/279



(56)

References Cited

U.S. PATENT DOCUMENTS

D568,970 S \* 5/2008 Gibb ..... D23/262  
 D577,423 S 9/2008 Dole  
 D587,349 S 2/2009 Madara et al.  
 7,500,643 B2 \* 3/2009 Leone ..... F16L 3/10  
 248/56  
 D595,815 S \* 7/2009 Pierce ..... D23/262  
 D597,635 S 8/2009 Dole  
 D598,077 S \* 8/2009 Gibb ..... D23/265  
 D608,868 S \* 1/2010 Porter ..... D23/262  
 D616,533 S \* 5/2010 Bowman ..... D23/262  
 D616,968 S 6/2010 Bowman et al.  
 D618,312 S 6/2010 Madara et al.  
 D621,916 S \* 8/2010 Porter ..... D23/262  
 D626,202 S \* 10/2010 Porter ..... D23/262  
 D629,074 S 12/2010 Shah et al.  
 D629,076 S 12/2010 Madara et al.  
 D629,077 S \* 12/2010 Porter ..... D23/262  
 D629,078 S \* 12/2010 Dole ..... D23/262  
 D629,496 S 12/2010 Madara et al.  
 8,286,923 B2 \* 10/2012 Kobayashi ..... B60R 16/0215  
 24/530  
 D680,630 S \* 4/2013 Beagen, Jr. .... D23/262  
 D700,835 S 3/2014 Langlois et al.  
 D711,730 S 8/2014 McKiernan  
 D721,950 S 2/2015 Quinlan et al.  
 D722,867 S 2/2015 Papafagos et al.  
 D729,356 S \* 5/2015 Kuehner ..... D23/262  
 D735,025 S \* 7/2015 Mathien ..... D8/396  
 9,151,420 B2 10/2015 McKiernan  
 D745,119 S 12/2015 Browning  
 D756,212 S 5/2016 Wilk, Jr. et al.

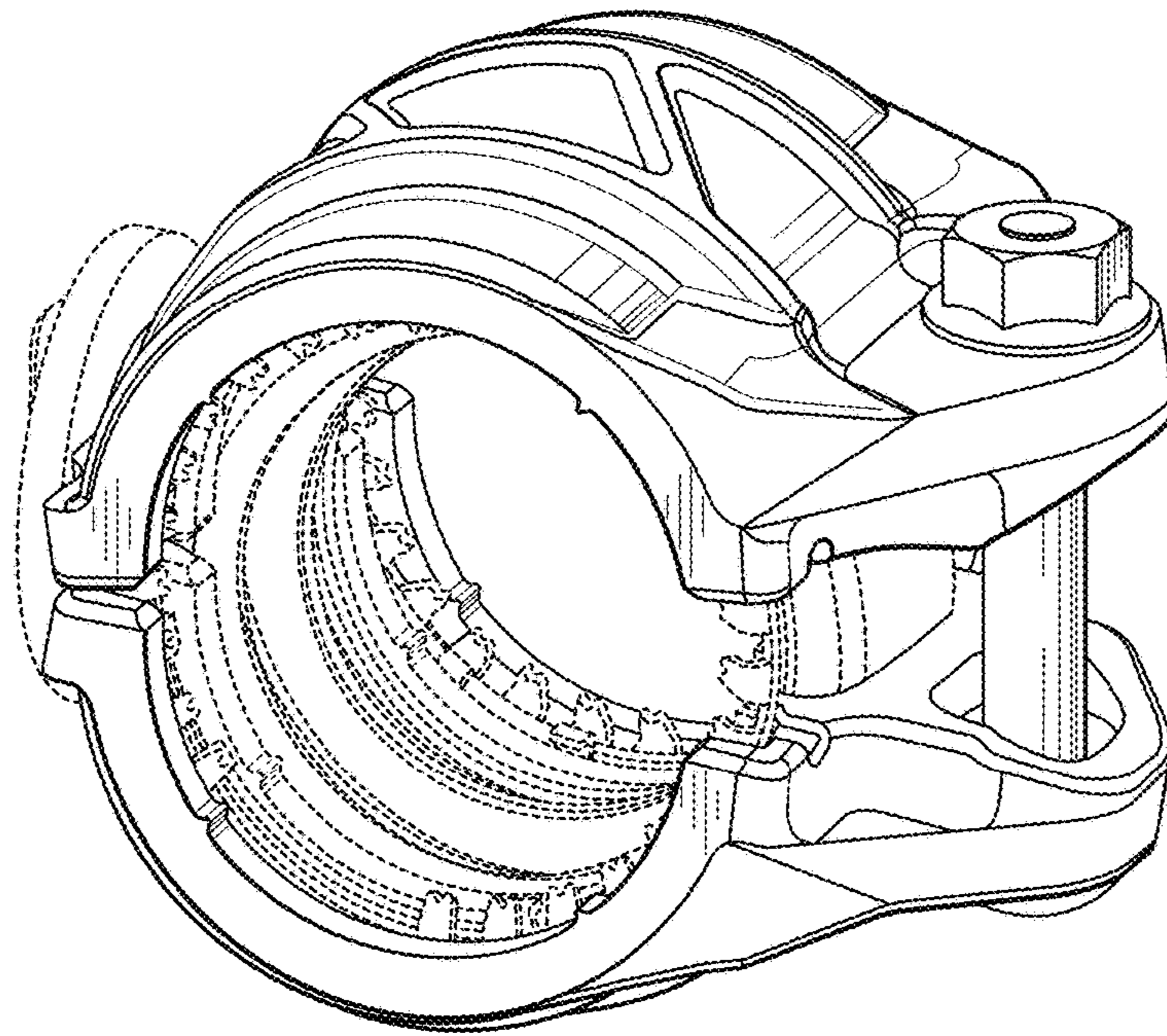
D761,643 S 7/2016 Papafagos  
 D784,799 S \* 4/2017 Toll ..... D8/396  
 9,631,746 B2 4/2017 Beagen, Jr.  
 D789,779 S \* 6/2017 Asai ..... B60R 16/0215  
 D8/396  
 D804,942 S \* 12/2017 Toll ..... D8/396  
 D805,888 S \* 12/2017 De Los Santos ..... D8/396  
 D807,137 S \* 1/2018 Whitaker ..... D8/72  
 D813,025 S \* 3/2018 Yesavage ..... D8/395  
 D813,657 S \* 3/2018 Bowman ..... D8/395  
 2008/0265568 A1 10/2008 Bekkevold  
 2017/0227141 A1 \* 8/2017 Toll ..... F16L 3/1075  
 2018/0072248 A1 \* 3/2018 Ohashi ..... B60R 16/0215

OTHER PUBLICATIONS

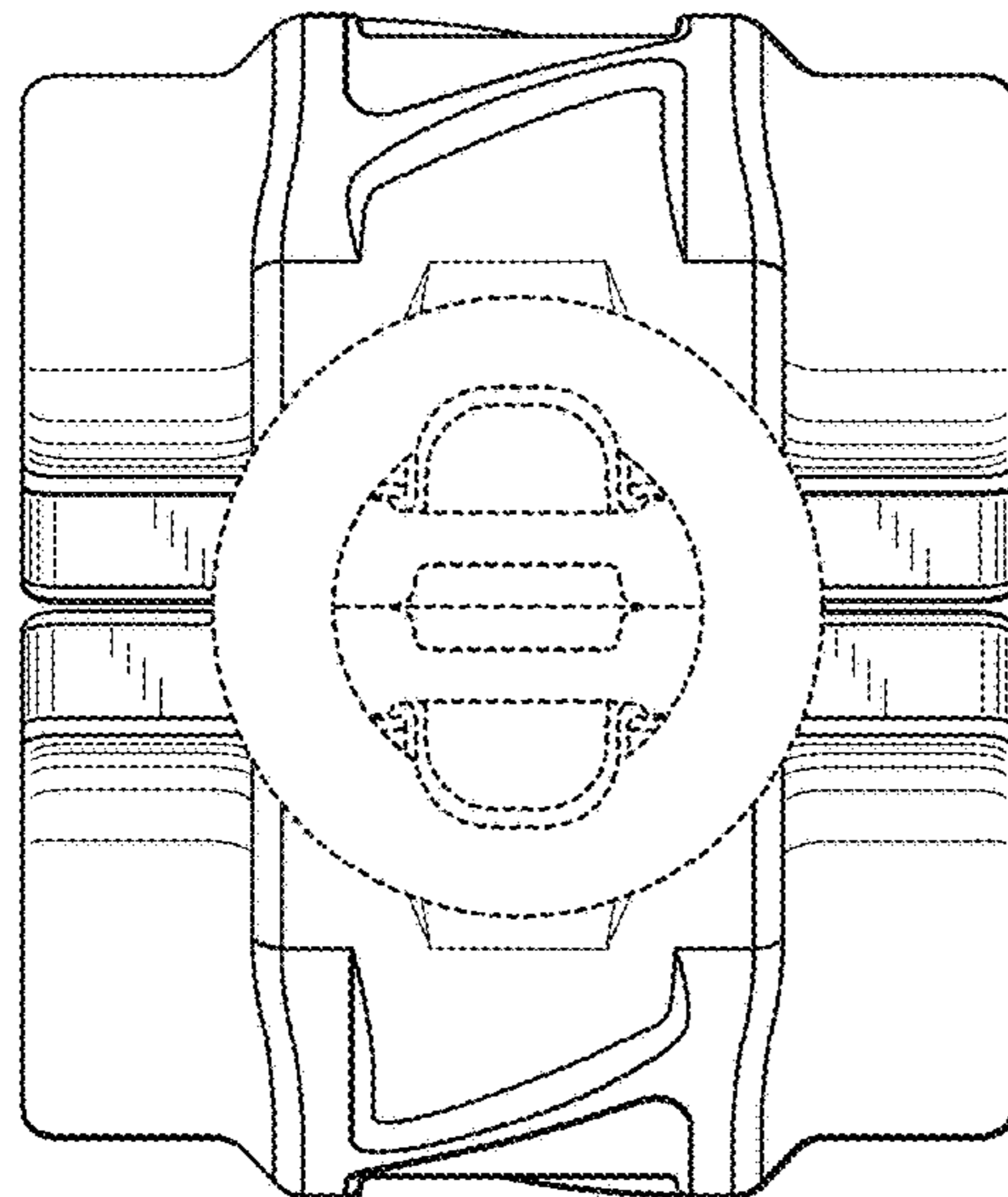
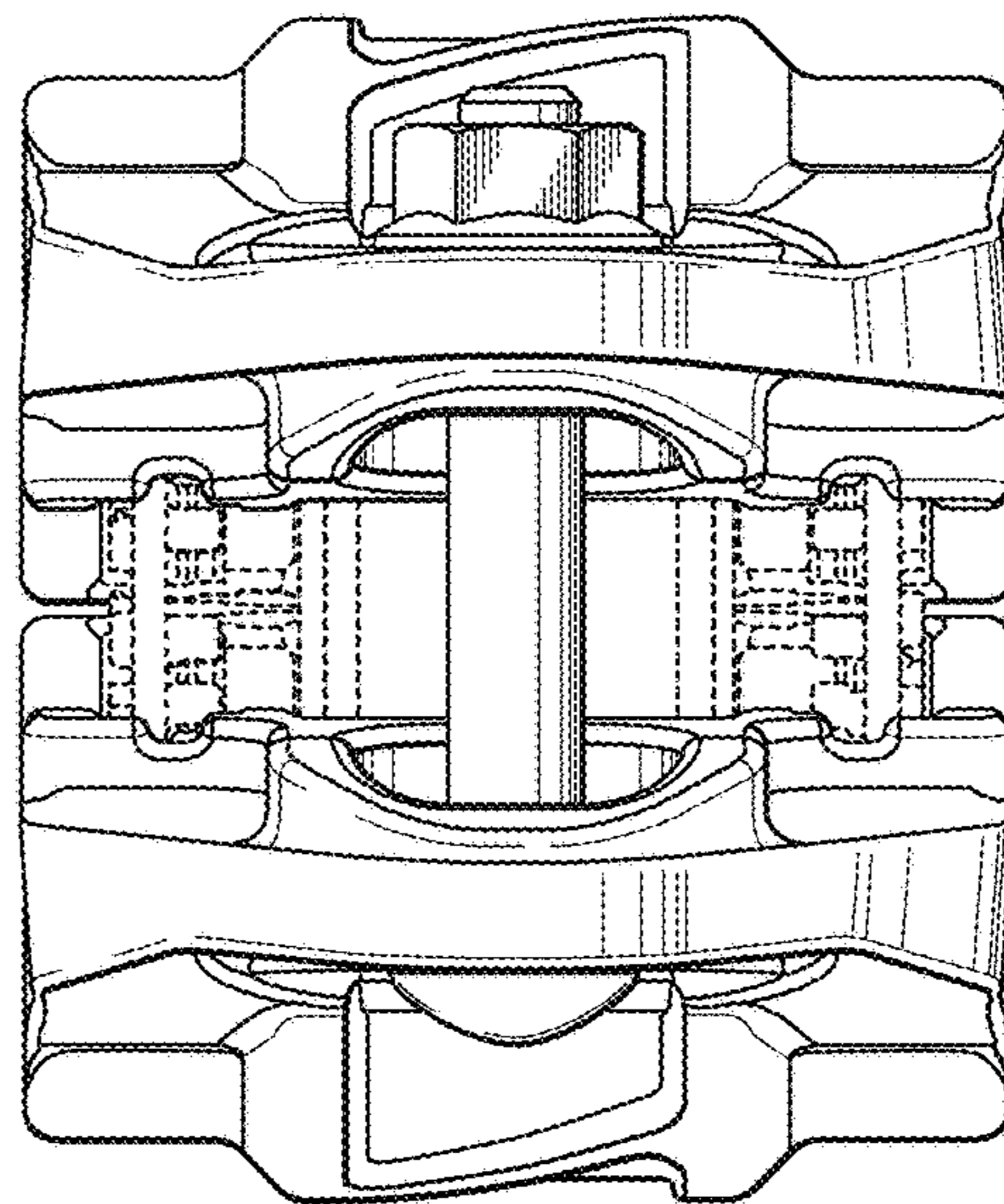
Style 99 Plain End Roust-A-Bout Coupling, website 2018, <http://www.iac-intl.com/product/style-99-plain-end-roust-a-bout-coupling/>, site visited May 12, 2018.\*  
 Youtube Ratchet P Clamp video publish date 2018, site visited May 12, 2018, <http://www.youtube.com/watch?v=UyLKOWQ9aKg>.\*  
 Anvil Split Ring Hanger, Malleable Iron Grainger, website 2017, <http://www.grainger.com/product/ANVIL-Split-Ring-Hanger-4HYA7>, [site visited Jul. 31, 2017 8:35:41 PM].  
 Modgal Metal Quikcoup Grooved System, website date unknown, <http://modgalmetal.com/quikcoup.asp>, [site visited Aug. 1, 2017 10:30:48 PM].  
 Shurjoint-Home, Coupling Product Website, copyright 2016, <http://www.shurjoint.com/eng/products.aspx?cate1id=5&cate2id=10> [site visited Aug. 1, 2017 9:55:09 PM].

\* cited by examiner

**FIG. 1**

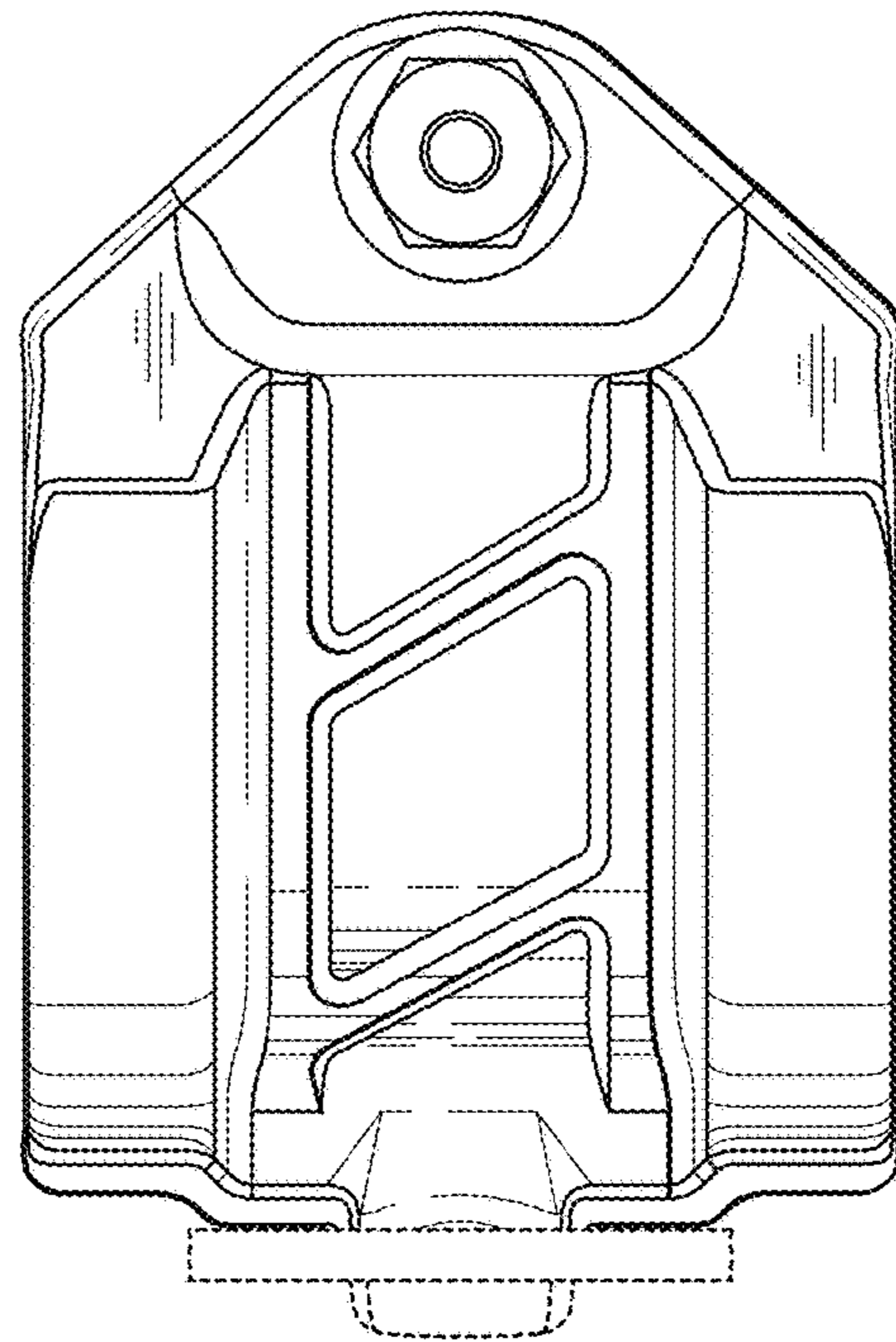


**FIG. 2**

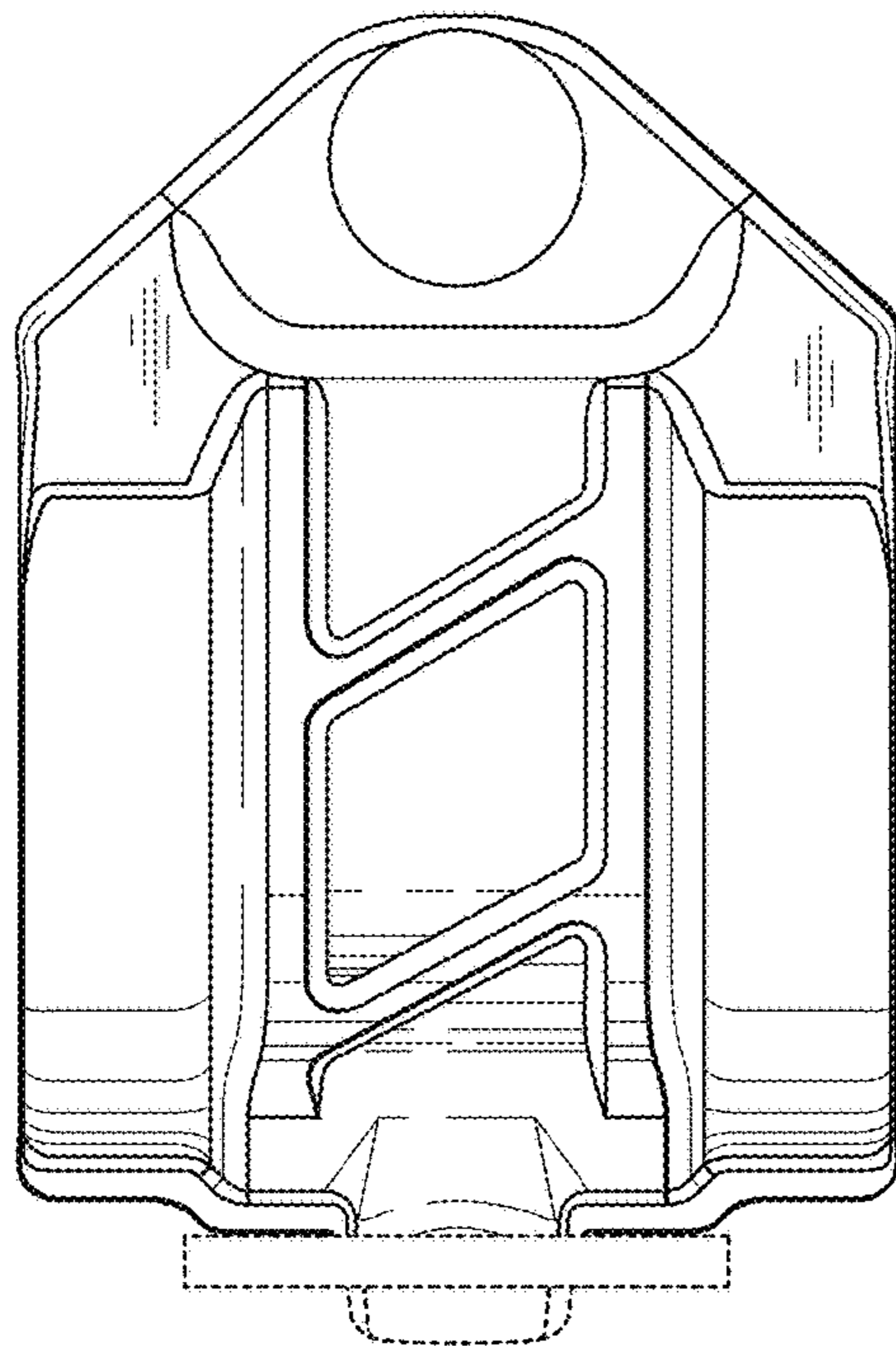


**FIG. 3**

**FIG. 4**



**FIG. 5**



**FIG. 6**

