



US00D850899S

(12) **United States Design Patent**  
**Gridley**

(10) **Patent No.:** **US D850,899 S**

(45) **Date of Patent:** **\*\* Jun. 11, 2019**

(54) **QUICK CAM**

(71) Applicant: **William E Gridley**, Delafield, WI (US)

(72) Inventor: **William E Gridley**, Delafield, WI (US)

(\*\*) Term: **15 Years**

(21) Appl. No.: **29/599,696**

(22) Filed: **Apr. 5, 2017**

**Related U.S. Application Data**

(63) Continuation-in-part of application No. 13/949,527, filed on Jul. 24, 2013, which is a continuation-in-part of application No. 29/455,317, filed on May 20, 2013, now Pat. No. Des. 719,431, and a continuation-in-part of application No. 29/416,183, filed on Mar. 20, 2012, now Pat. No. Des. 712,730, which is a continuation-in-part of application No. 13/090,444, filed on Apr. 20, 2011, now Pat. No. 8,220,474, and a continuation-in-part of application No. 29/385,453, filed on Feb. 14, 2011, now abandoned, and a continuation-in-part of application No. 12/464,045, filed on May 11, 2009, now Pat. No. 8,196,877, and a continuation-in-part of application No. 12/400,952, filed on Mar. 10, 2009, now Pat. No. 8,069,870.

(60) Provisional application No. 61/052,415, filed on May 12, 2008, provisional application No. 61/035,345, filed on Mar. 10, 2008.

(51) **LOC (11) Cl.** ..... **08-08**

(52) **U.S. Cl.**

USPC ..... **D8/396**

(58) **Field of Classification Search**

USPC ..... D8/394-396, 349-356, 373, 400, 21-26,  
D8/29, 499

CPC . H01R 11/11; F16L 23/036; F16L 3/13; F16L  
3/1033; E04B 2/74

See application file for complete search history.

(56) **References Cited**

U.S. PATENT DOCUMENTS

3,521,332	A *	7/1970	Kramer .....	F16B 2/22 248/229.26
3,596,859	A *	8/1971	MacDonald .....	F21S 4/10 248/214
D240,681	S *	7/1976	Granatelli .....	D6/526
D241,314	S *	9/1976	Hug .....	D11/27
4,121,798	A *	10/1978	Schumacher .....	A47L 13/512 24/336
D267,231	S *	12/1982	Guem, Jr. ....	D21/775
D295,723	S *	5/1988	Shioda .....	D8/380

(Continued)

*Primary Examiner* — John Windmuller

(74) *Attorney, Agent, or Firm* — Monty Simmons;  
Simmons Patents

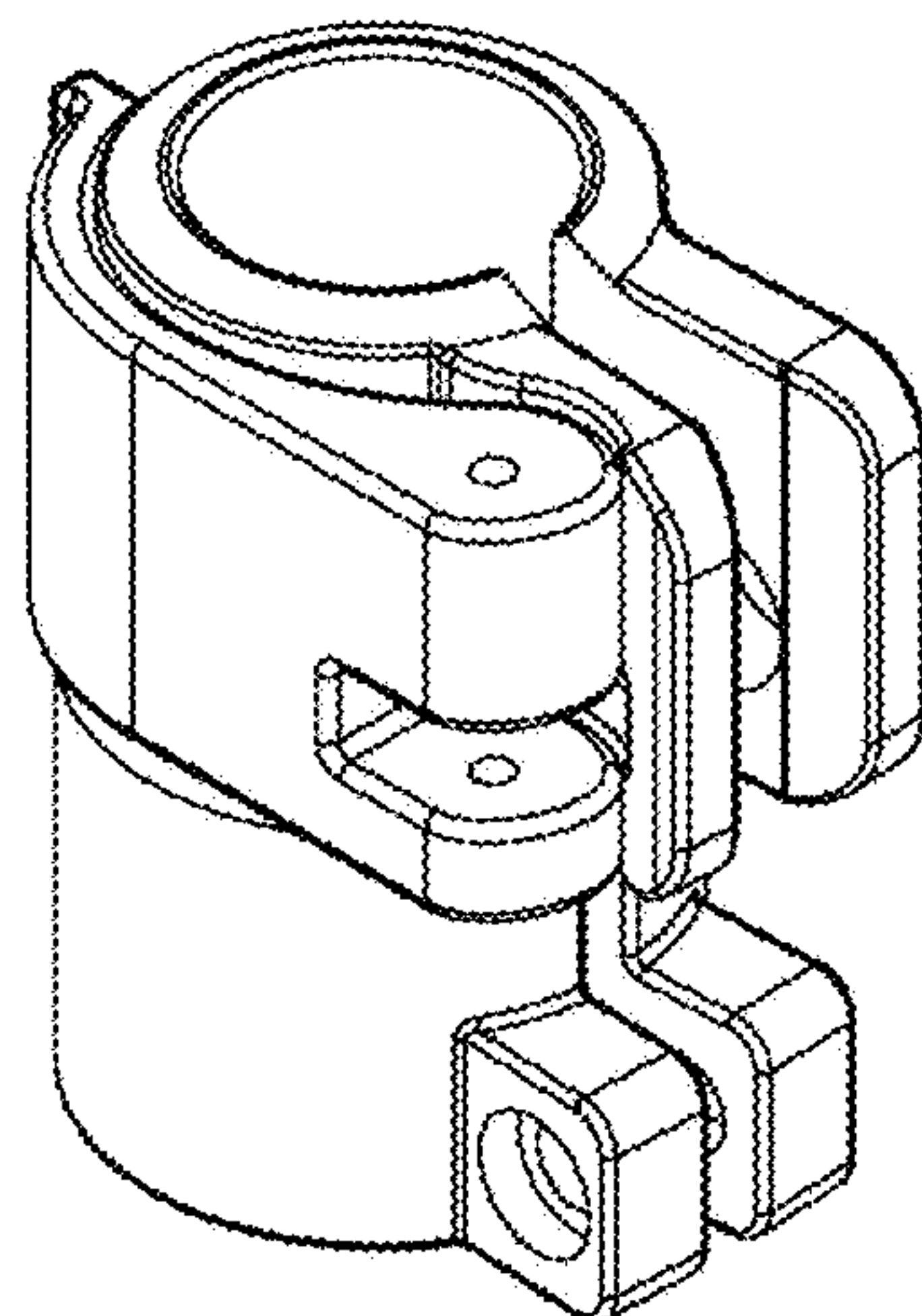
(57) **CLAIM**

The ornamental design for a quick cam, as shown and described.

**DESCRIPTION**

FIG. 1 is a front left perspective view of first embodiment of a quick cam showing my new design;  
FIG. 2 is a front right perspective view thereof;  
FIG. 3 is a front elevation view thereof;  
FIG. 4 is a top plan view thereof;  
FIG. 5 is a bottom plan view thereof;  
FIG. 6 is a right side elevation view thereof;  
FIG. 7 is a left side elevation view thereof;  
FIG. 8 is a bottom left perspective view thereof;  
FIG. 9 is a bottom right perspective view thereof;  
FIG. 10 is a rear elevation view thereof;  
FIG. 11 is a front left perspective view of second embodiment of a quick cam showing my new design;  
FIG. 12 is a left side elevation view thereof;  
FIG. 13 is a right side elevation view thereof;  
FIG. 14 is a front right perspective view thereof;  
FIG. 15 is a front elevation view thereof;  
FIG. 16 is a top plan view thereof; and,  
FIG. 17 is a bottom plan view thereof.

**1 Claim, 15 Drawing Sheets**



(56)

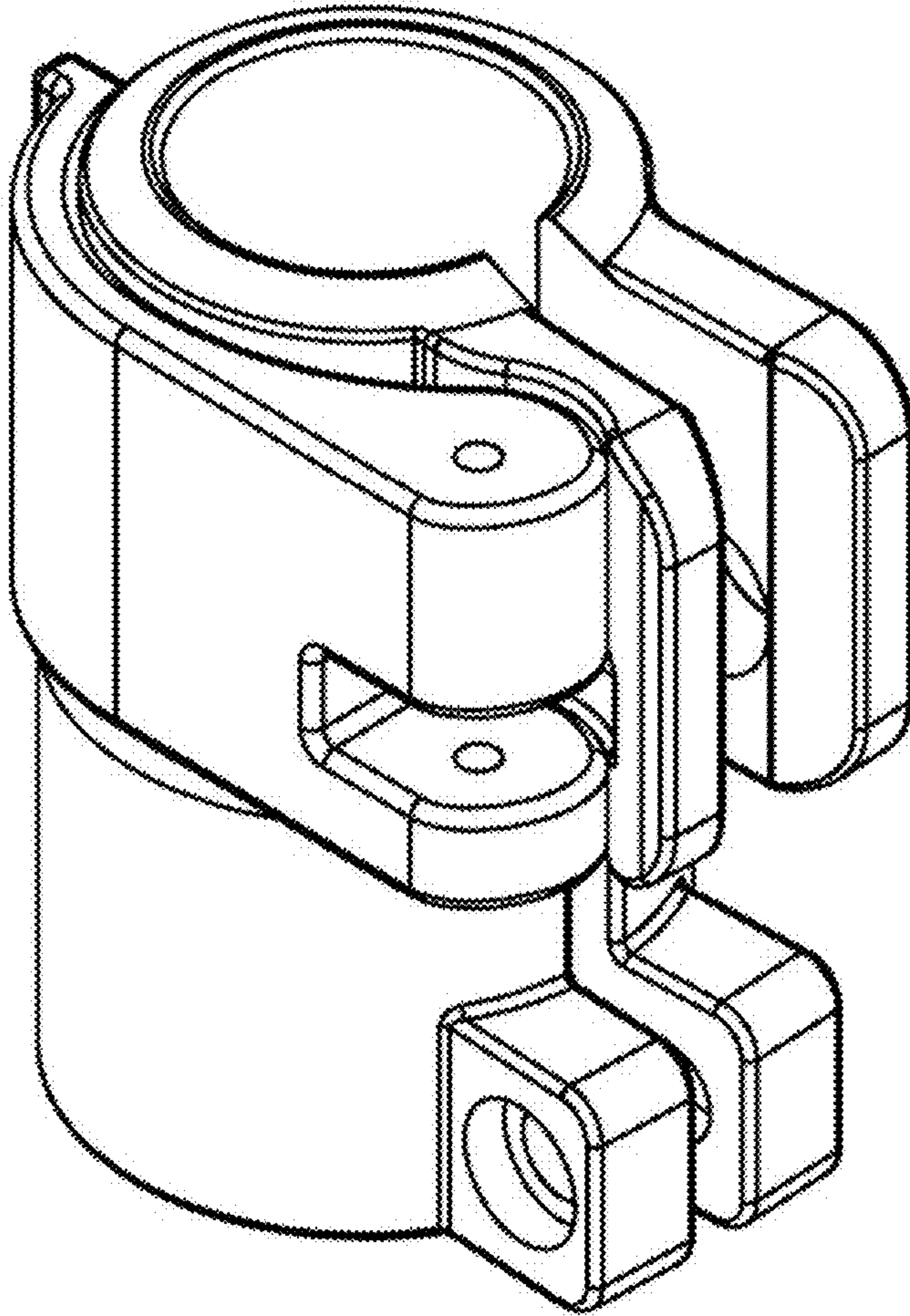
References Cited

U.S. PATENT DOCUMENTS

D295,725 S \* 5/1988 Shioda ..... D8/380  
 4,901,960 A \* 2/1990 Gary ..... F21V 19/0005  
 248/205.3  
 D309,280 S \* 7/1990 Balfanz-Lee ..... D11/201  
 4,962,907 A \* 10/1990 Gary ..... F21V 19/0005  
 248/205.3  
 5,110,078 A \* 5/1992 Gary ..... F21V 19/0005  
 248/206.2  
 5,332,090 A \* 7/1994 Tucker ..... A63B 55/408  
 206/315.3  
 D350,947 S \* 9/1994 Klinger ..... D14/454  
 D363,211 S \* 10/1995 Noble ..... D8/371  
 5,462,212 A \* 10/1995 Hertel, Jr. .... B60N 3/14  
 206/86  
 5,479,836 A 1/1996 Chang  
 D371,735 S \* 7/1996 Motta ..... D6/535  
 D375,453 S \* 11/1996 Fleck ..... D8/395  
 D375,890 S \* 11/1996 Takai ..... D8/380  
 D376,973 S \* 12/1996 Brown ..... D8/395  
 5,609,415 A \* 3/1997 Protz, Jr. .... F21V 21/08  
 248/229.16  
 5,806,669 A \* 9/1998 Kim ..... B65D 83/285  
 206/228  
 D406,051 S \* 2/1999 Ross ..... D8/395  
 D417,612 S \* 12/1999 Jones ..... D26/138  
 D432,404 S \* 10/2000 Garfinkle ..... D8/395  
 D435,684 S \* 12/2000 Gary ..... D26/138  
 D451,730 S \* 12/2001 Henderson ..... D6/534  
 D470,937 S \* 2/2003 Gary ..... D24/138  
 D483,654 S \* 12/2003 Taylor ..... D8/356  
 6,938,631 B2 9/2005 Gridley  
 6,948,878 B1 9/2005 Smith et al.  
 D537,331 S \* 2/2007 Hill ..... D8/395

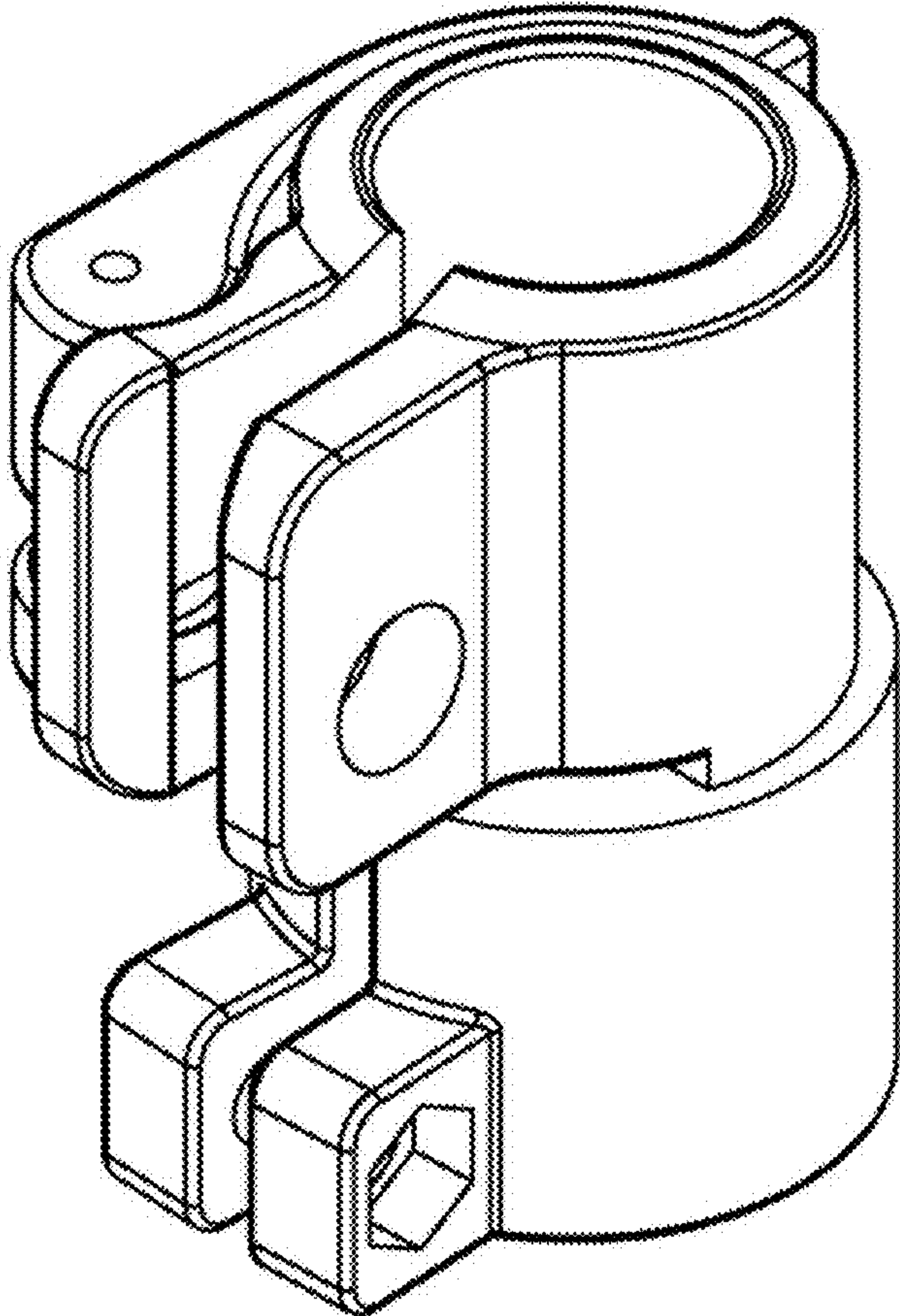
D552,463 S \* 10/2007 French ..... D8/395  
 D560,482 S \* 1/2008 Casteel ..... D8/395  
 D560,483 S \* 1/2008 Mercier ..... D6/550  
 7,353,731 B2 4/2008 Lin  
 D569,150 S \* 5/2008 Vasilev ..... D6/534  
 D571,648 S \* 6/2008 Rieder ..... D8/395  
 D577,423 S 9/2008 Dole  
 D580,262 S 11/2008 Eason et al.  
 D584,604 S 1/2009 Baldwin  
 7,487,787 B2 2/2009 Tung  
 D625,996 S \* 10/2010 Witty ..... D8/396  
 D648,211 S \* 11/2011 Weaver ..... D8/396  
 D652,517 S \* 1/2012 Weaver ..... D24/134  
 D672,004 S \* 12/2012 Stracener ..... D22/108  
 D682,464 S \* 5/2013 Gary ..... D26/142  
 D690,997 S \* 10/2013 Zemel ..... D7/590  
 D692,689 S \* 11/2013 Yiannaki ..... D6/606  
 D695,550 S \* 12/2013 Yiannaki ..... D6/606  
 9,010,708 B2 \* 4/2015 Vasilev ..... A47K 1/09  
 206/15.3  
 D729,542 S \* 5/2015 Dontfraid ..... D6/534  
 D730,163 S \* 5/2015 Wu ..... D8/376  
 D761,097 S \* 7/2016 Votel ..... D8/394  
 D773,287 S \* 12/2016 Lida ..... D8/363  
 D773,885 S \* 12/2016 Loshuk ..... D7/387  
 D793,646 S \* 8/2017 Bacallao ..... D34/27  
 D806,527 S \* 1/2018 Baker, Jr. .... D8/396  
 D811,861 S \* 3/2018 Ravassa ..... D8/367  
 D812,456 S \* 3/2018 Nolta ..... D8/373  
 D815,517 S \* 4/2018 Van Fleet ..... D8/396  
 D821,248 S \* 6/2018 Naqvi ..... D11/3  
 2010/0127472 A1 5/2010 Winefordner et al.  
 2010/0194162 A1 8/2010 Knopf  
 2012/0069587 A1 \* 3/2012 Holland ..... F21V 21/088  
 362/396

\* cited by examiner

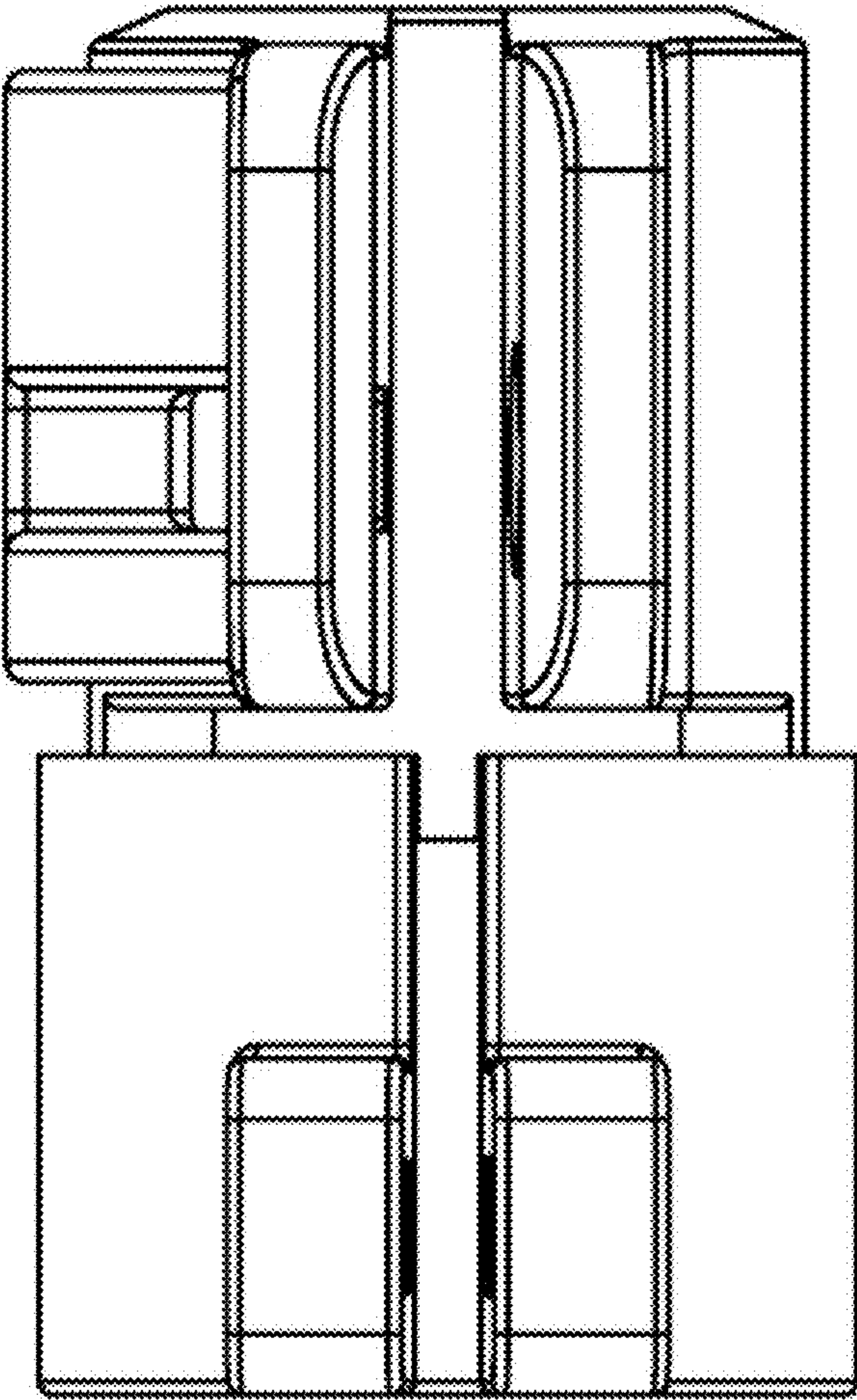


**Fig. 1**

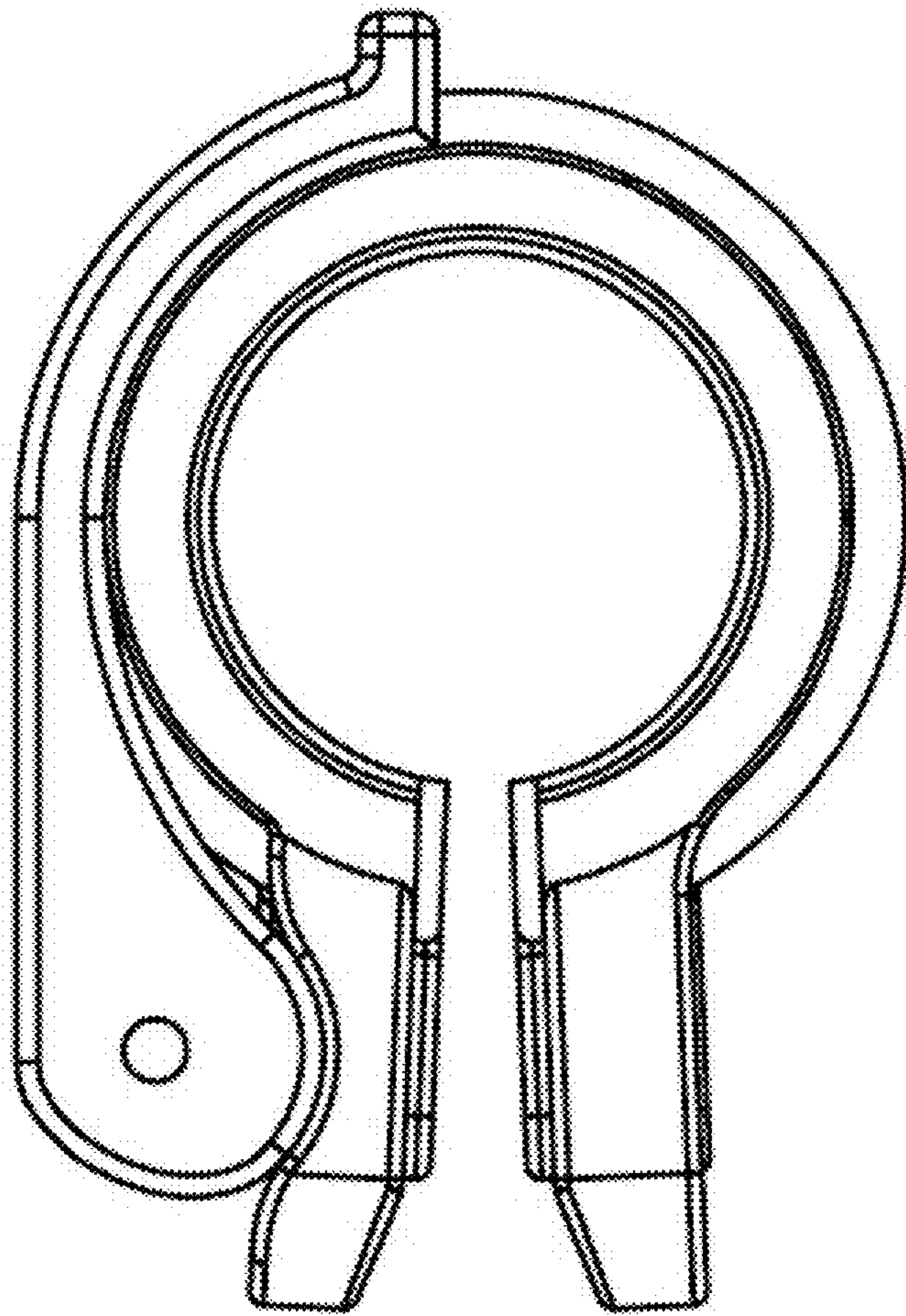




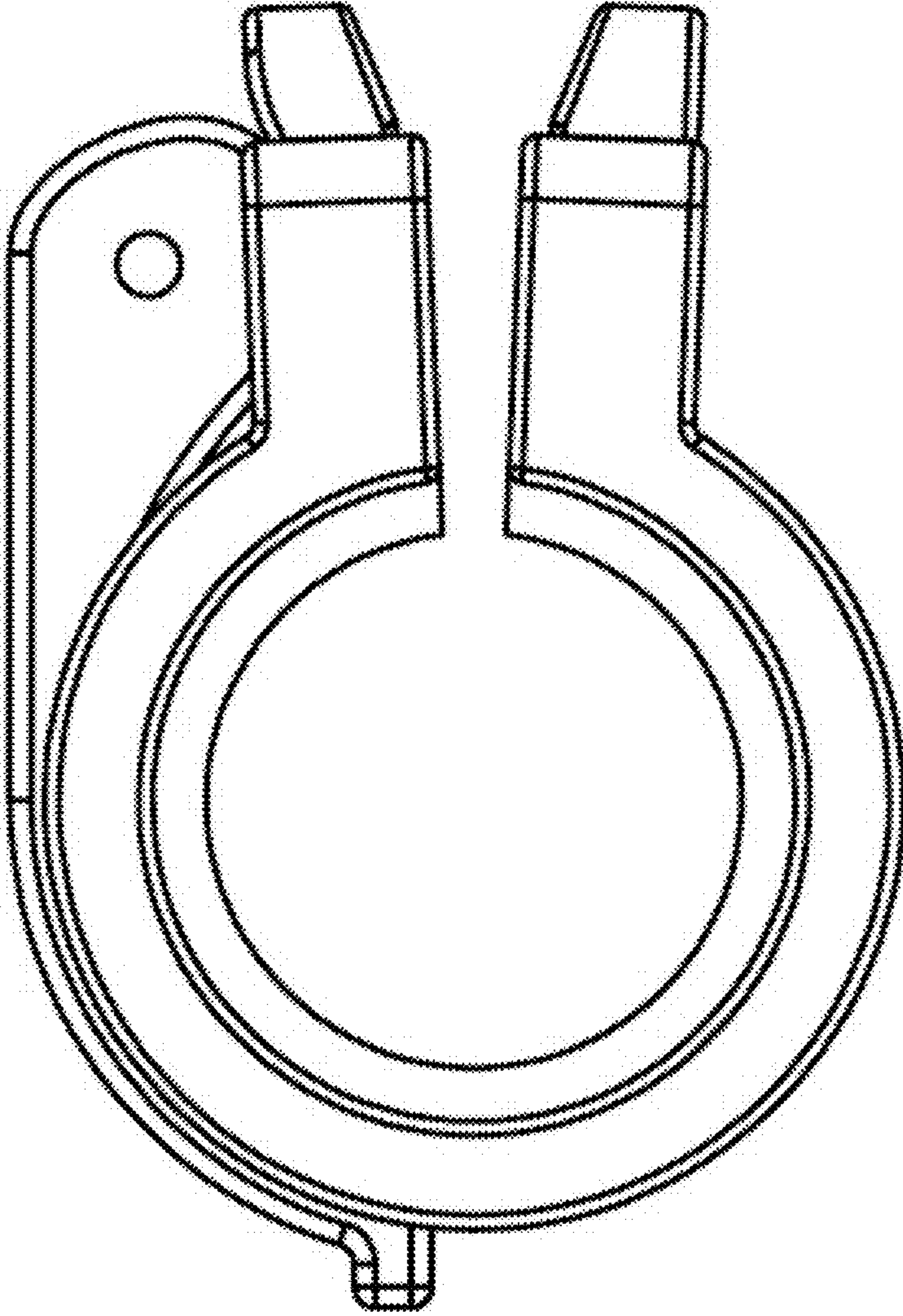
**Fig. 2**



**Fig. 3**

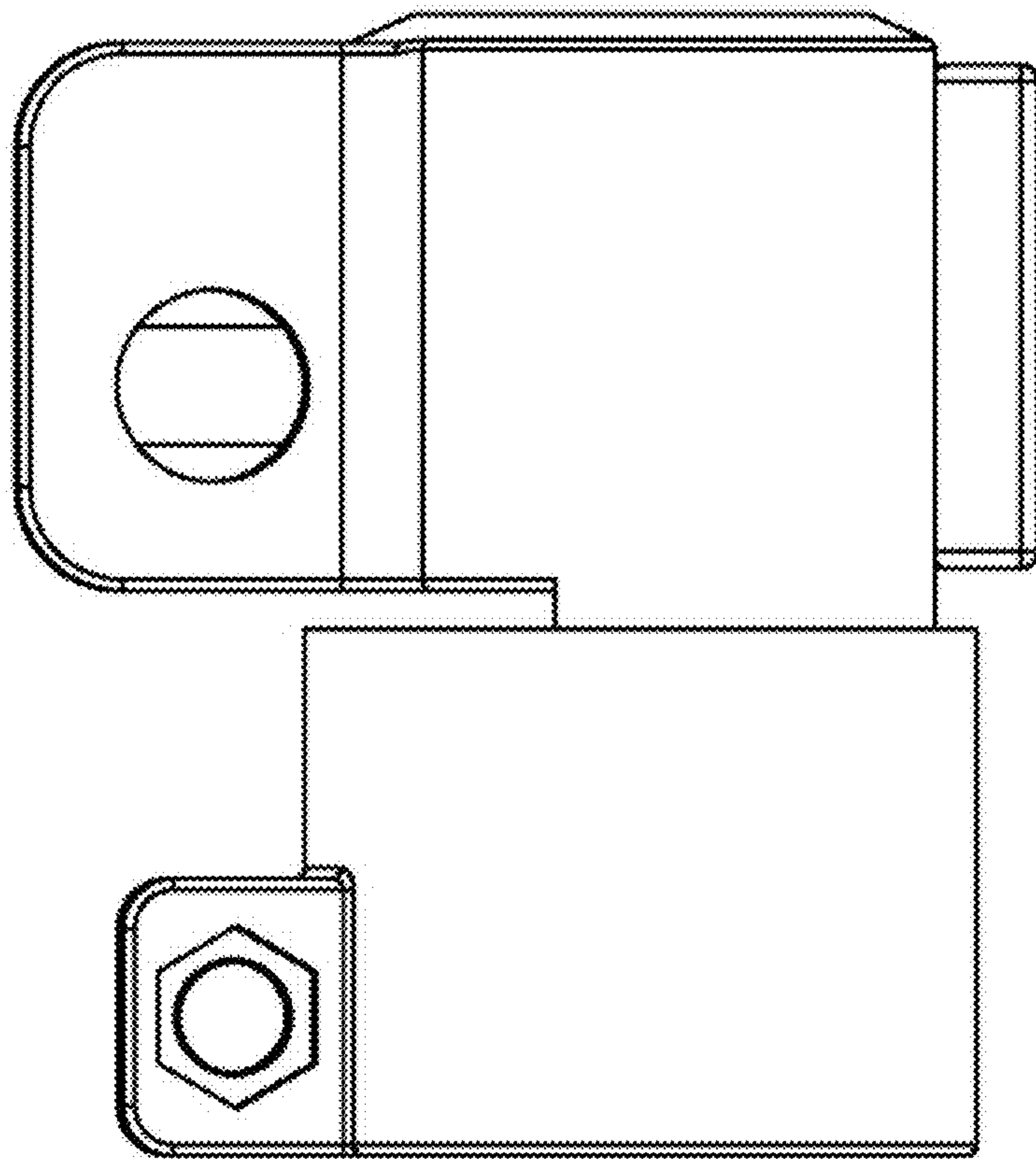


**Fig. 4**



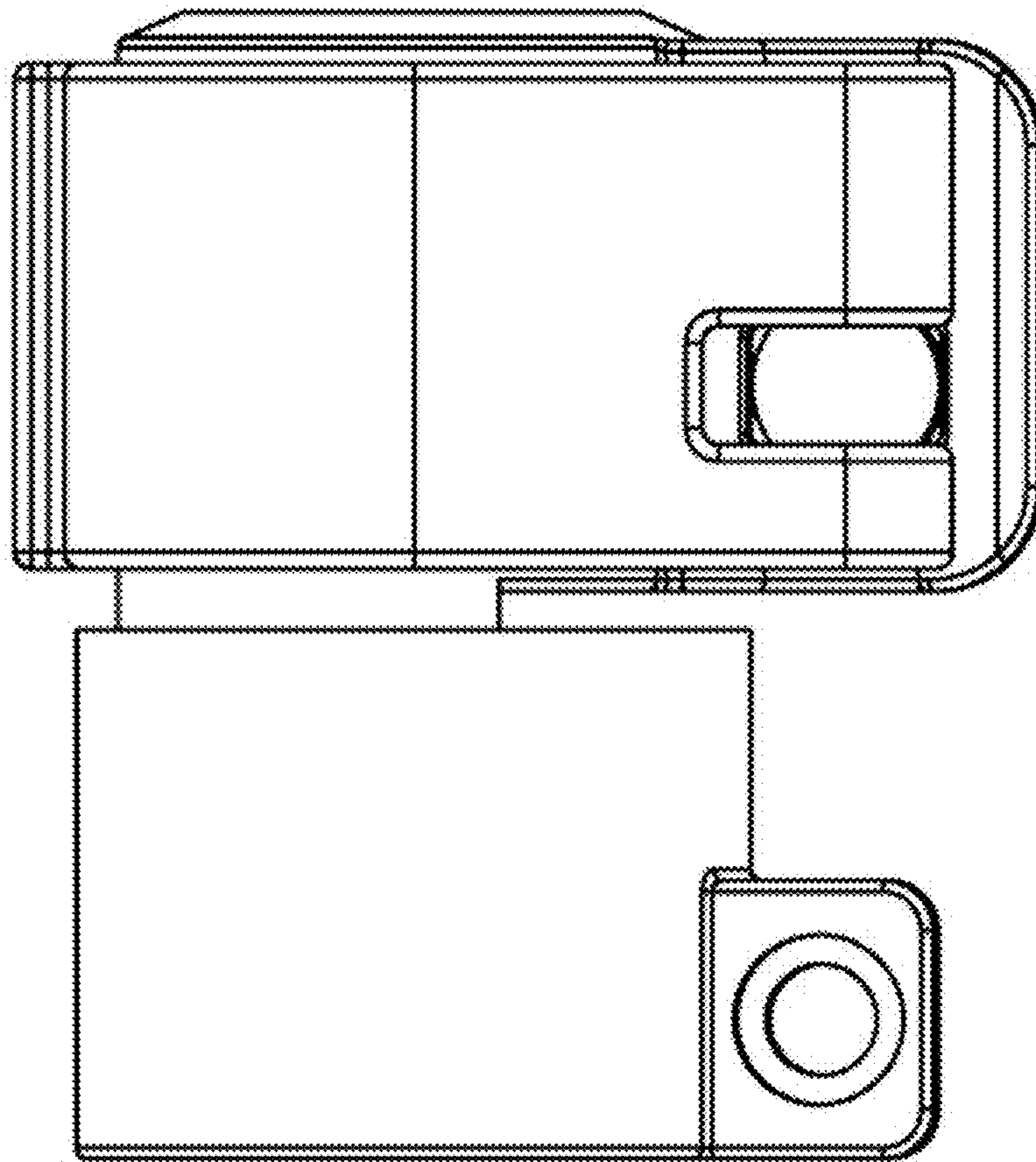
**Fig. 5**



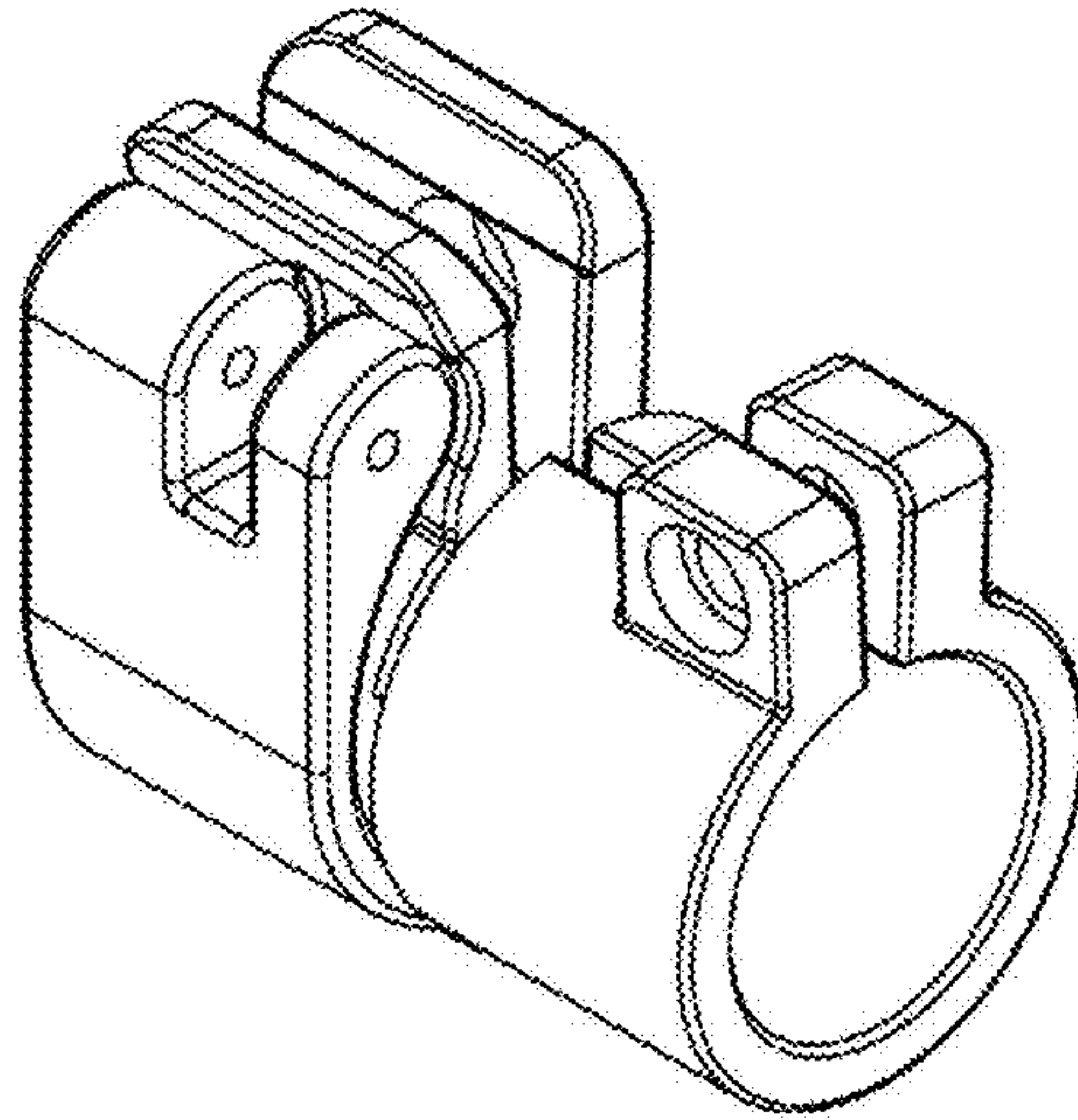


**Fig. 6**

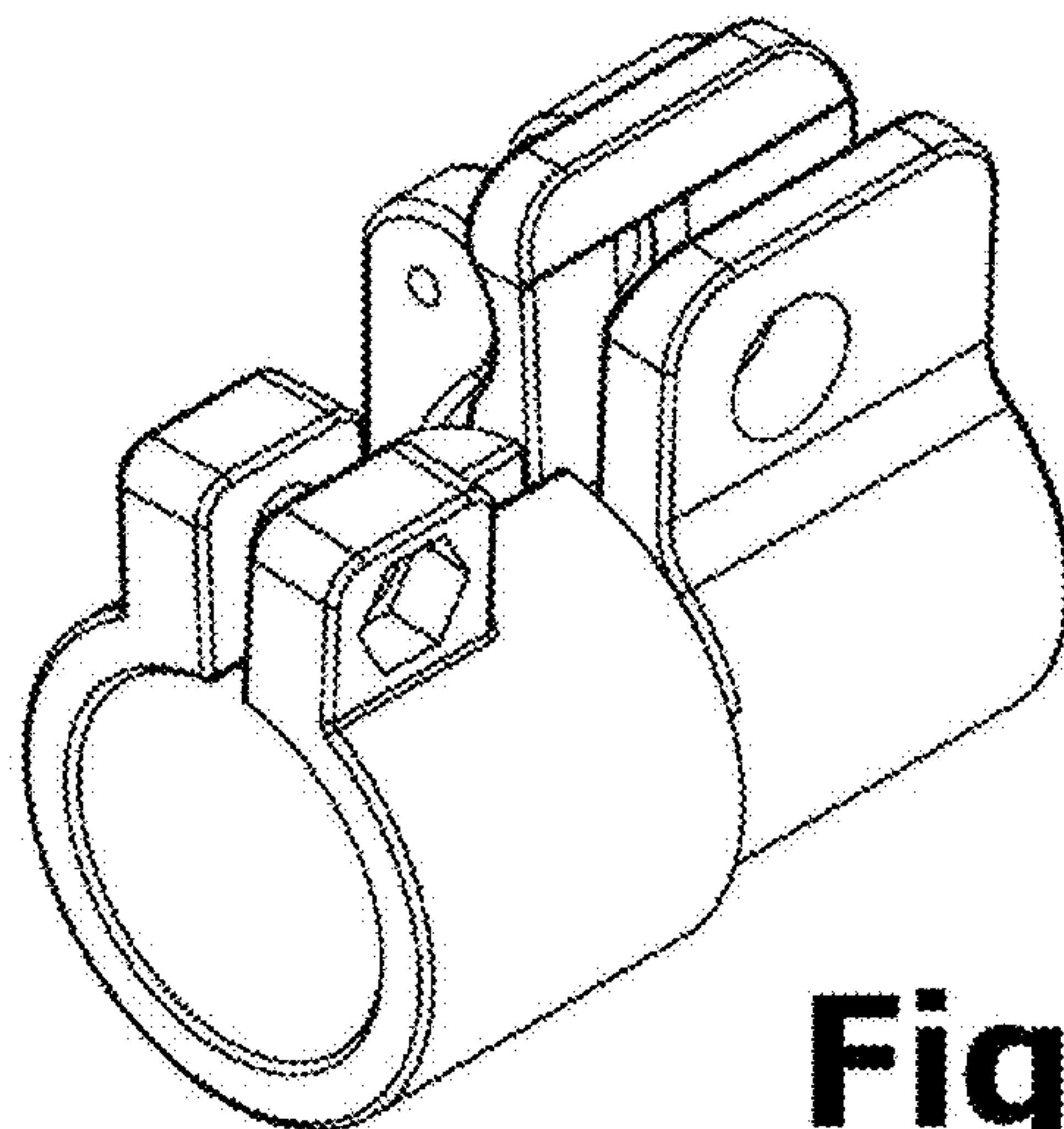




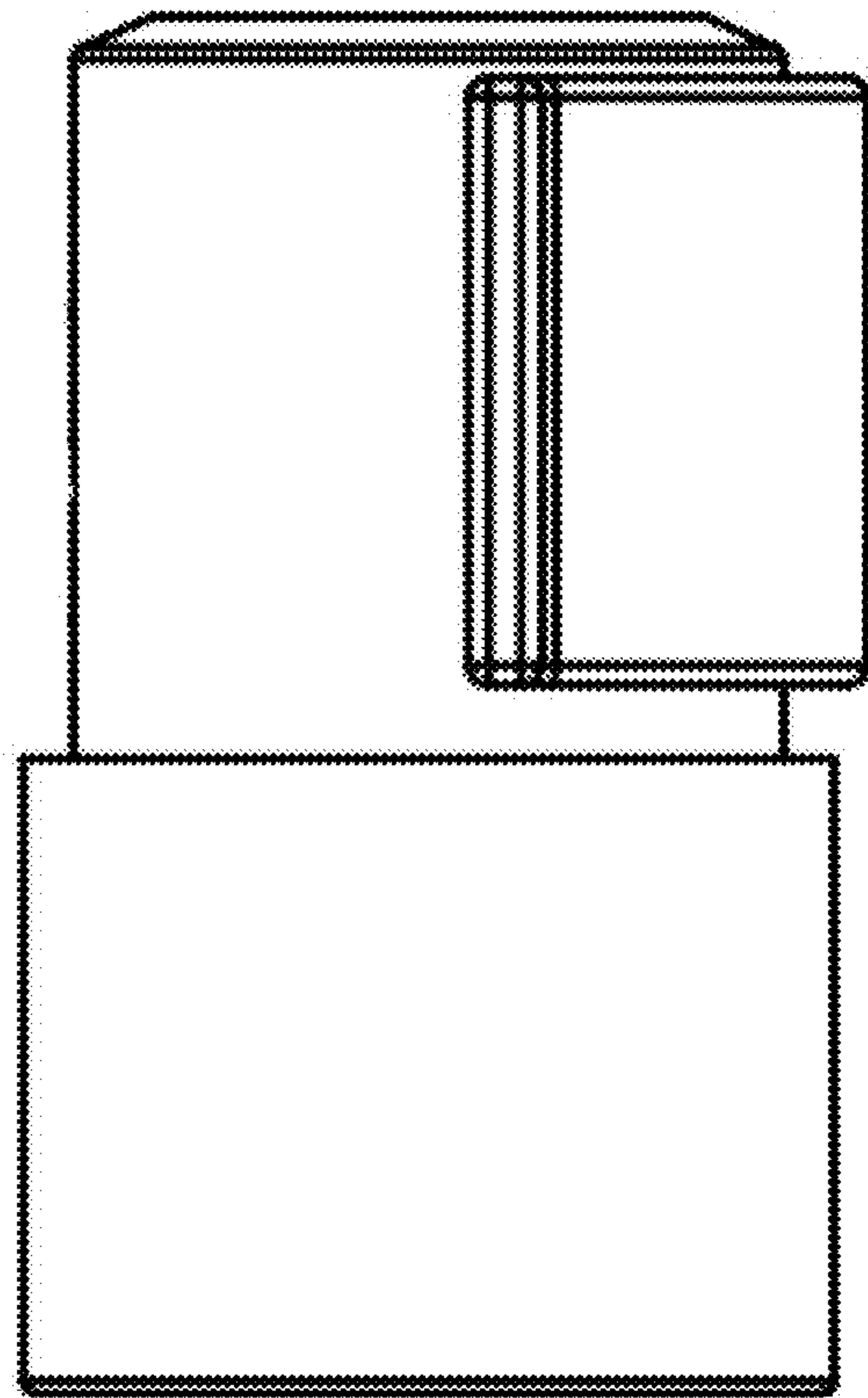
**Fig. 7**



**Fig. 8**

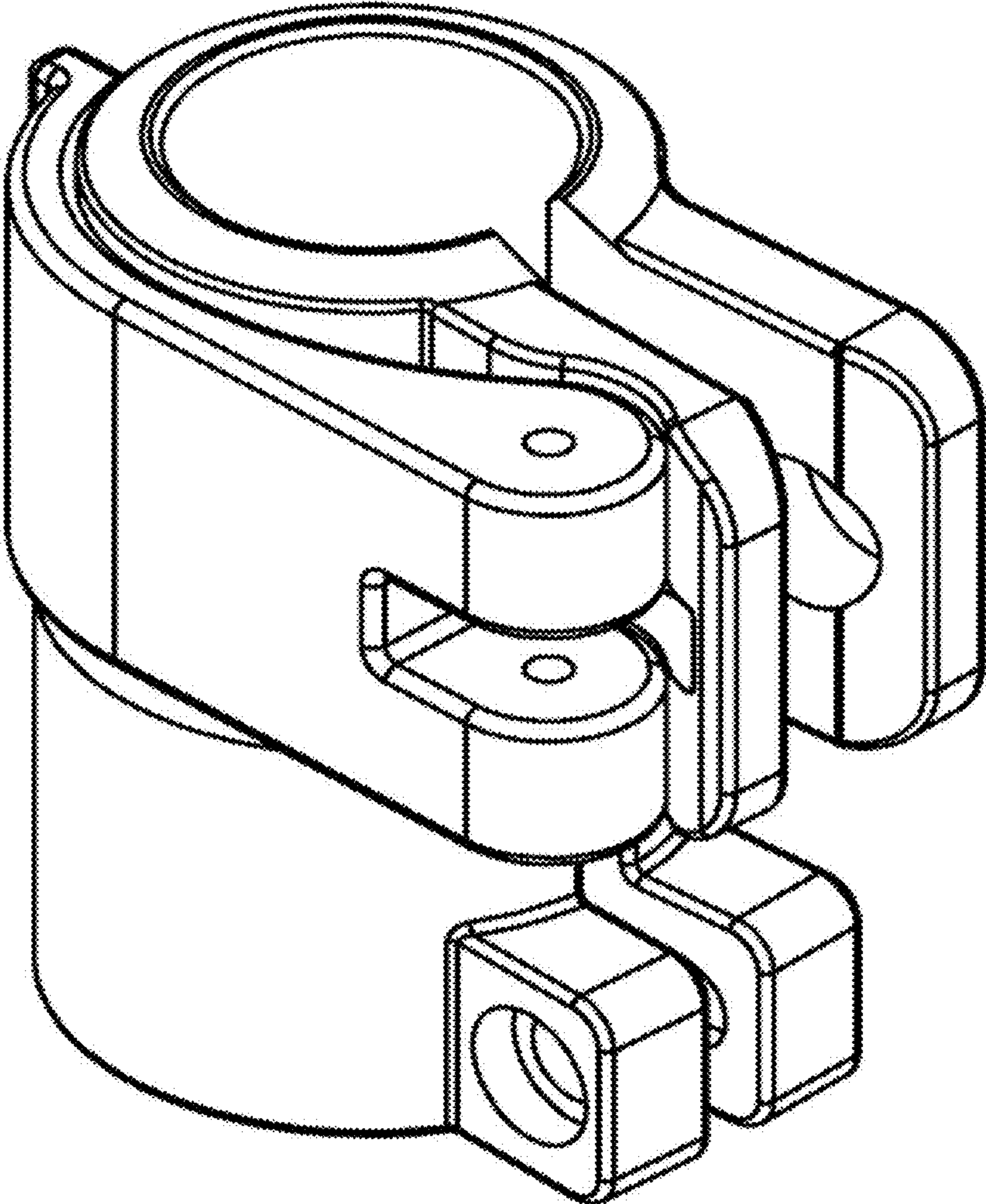


**Fig. 9**

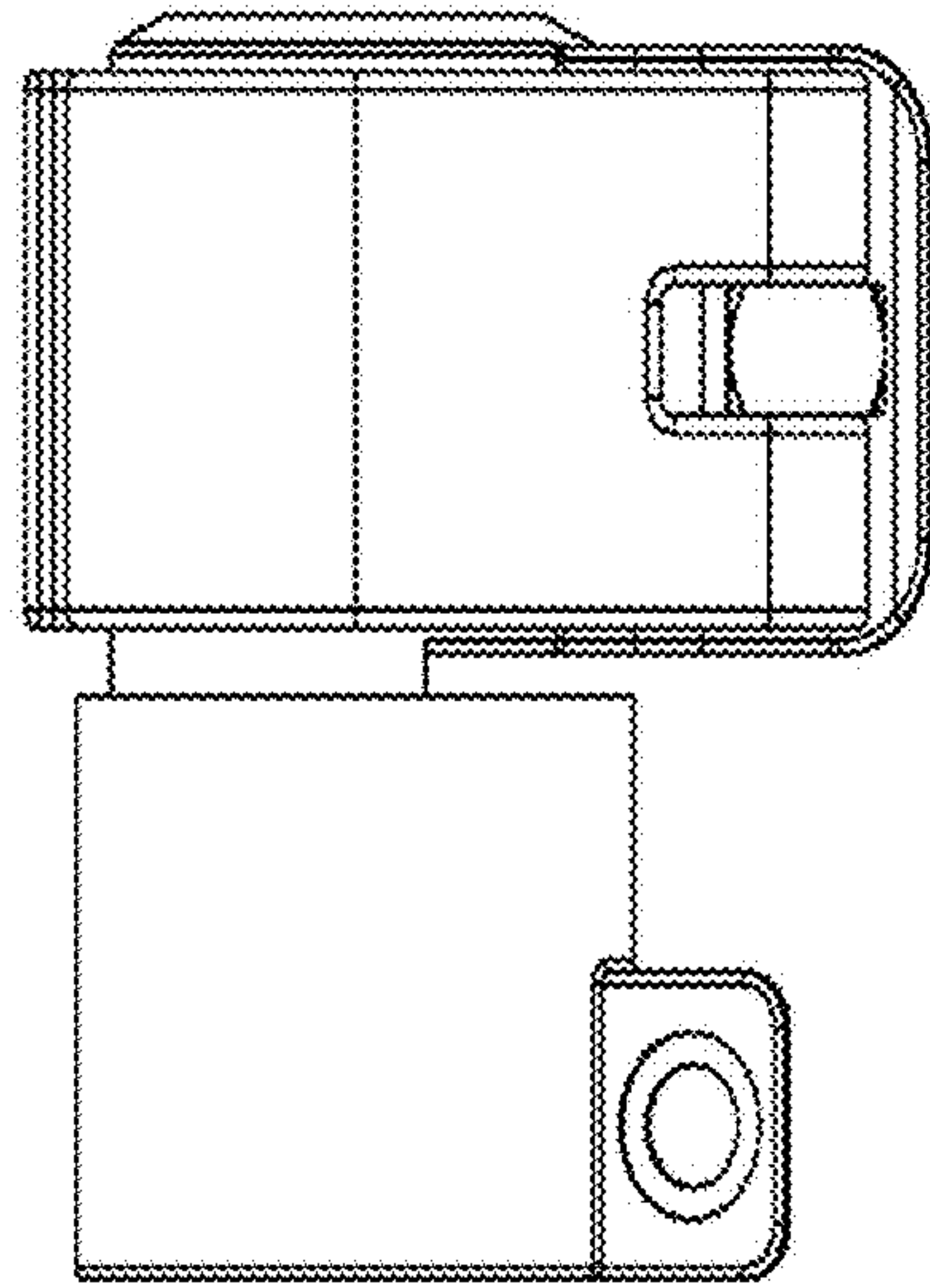


**Fig. 10**

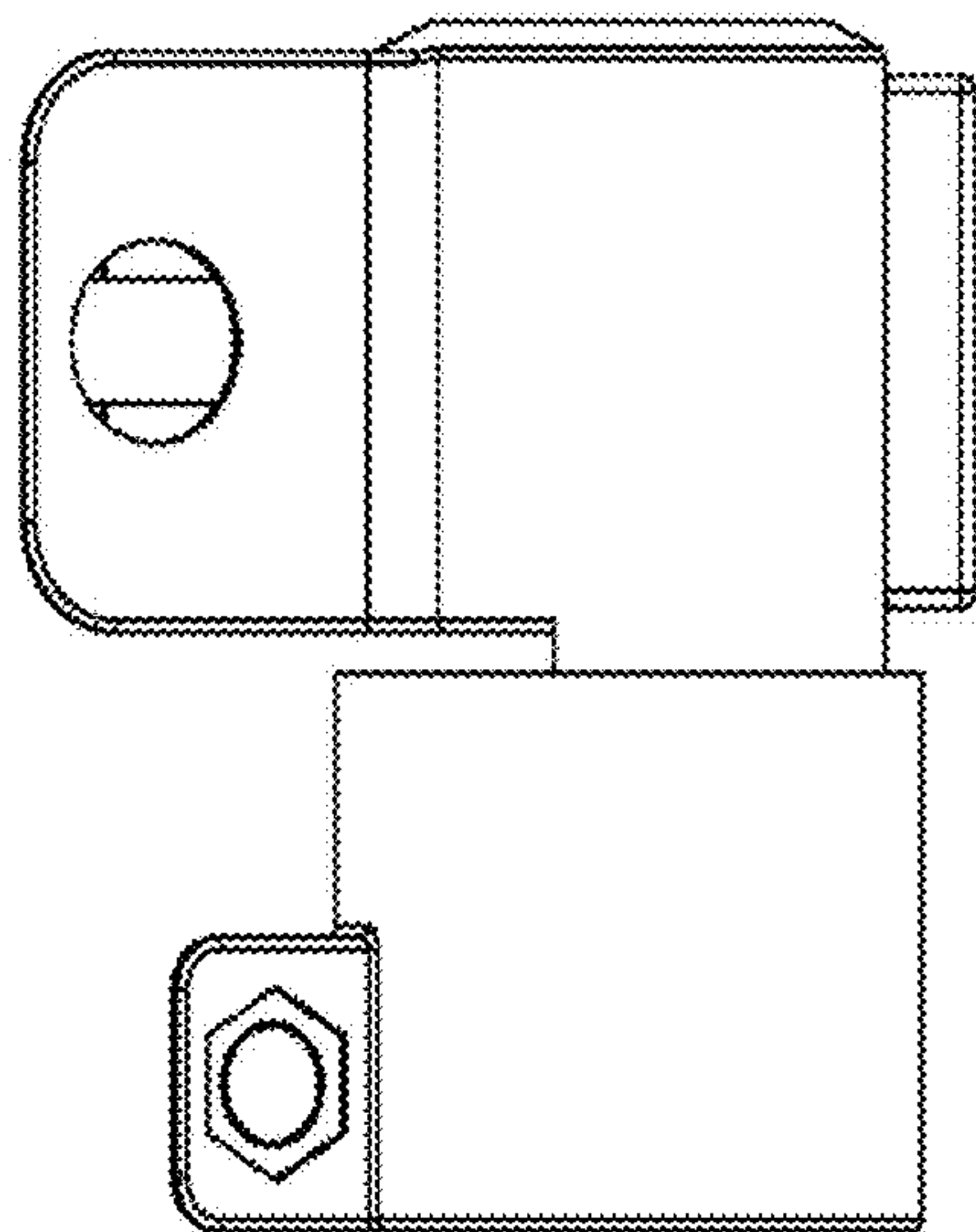




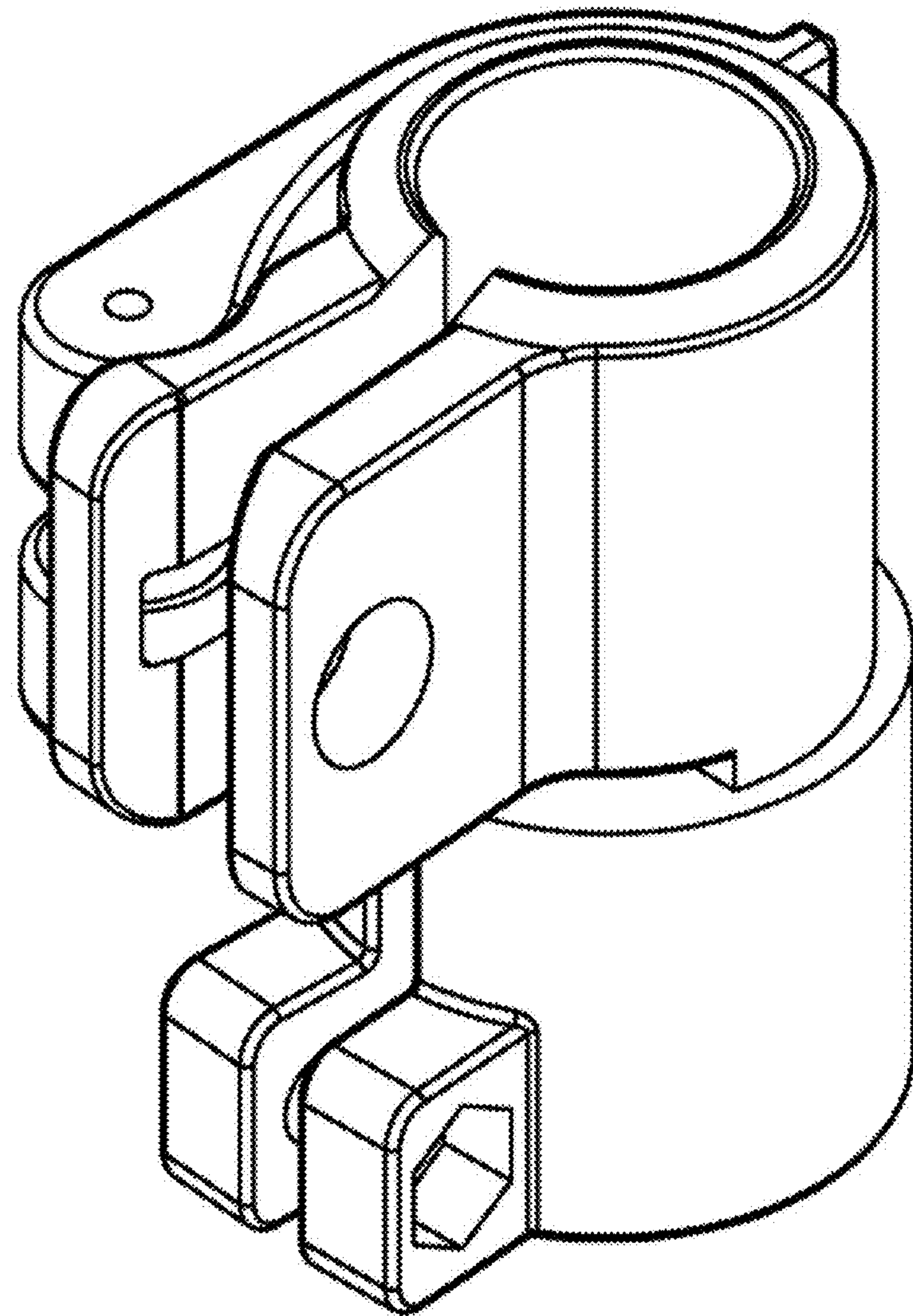
**Fig. 11**



**Fig. 12**

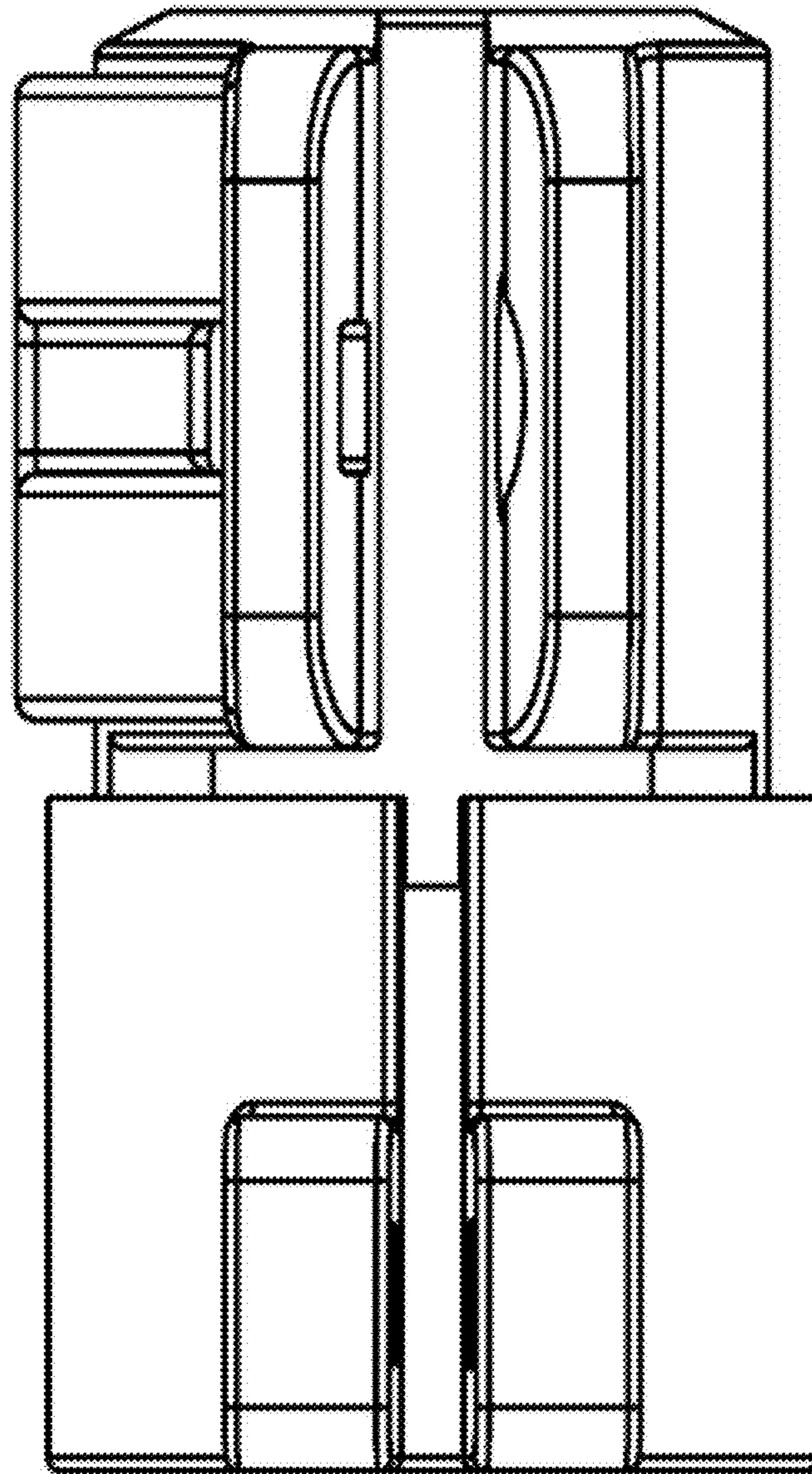


**Fig. 13**

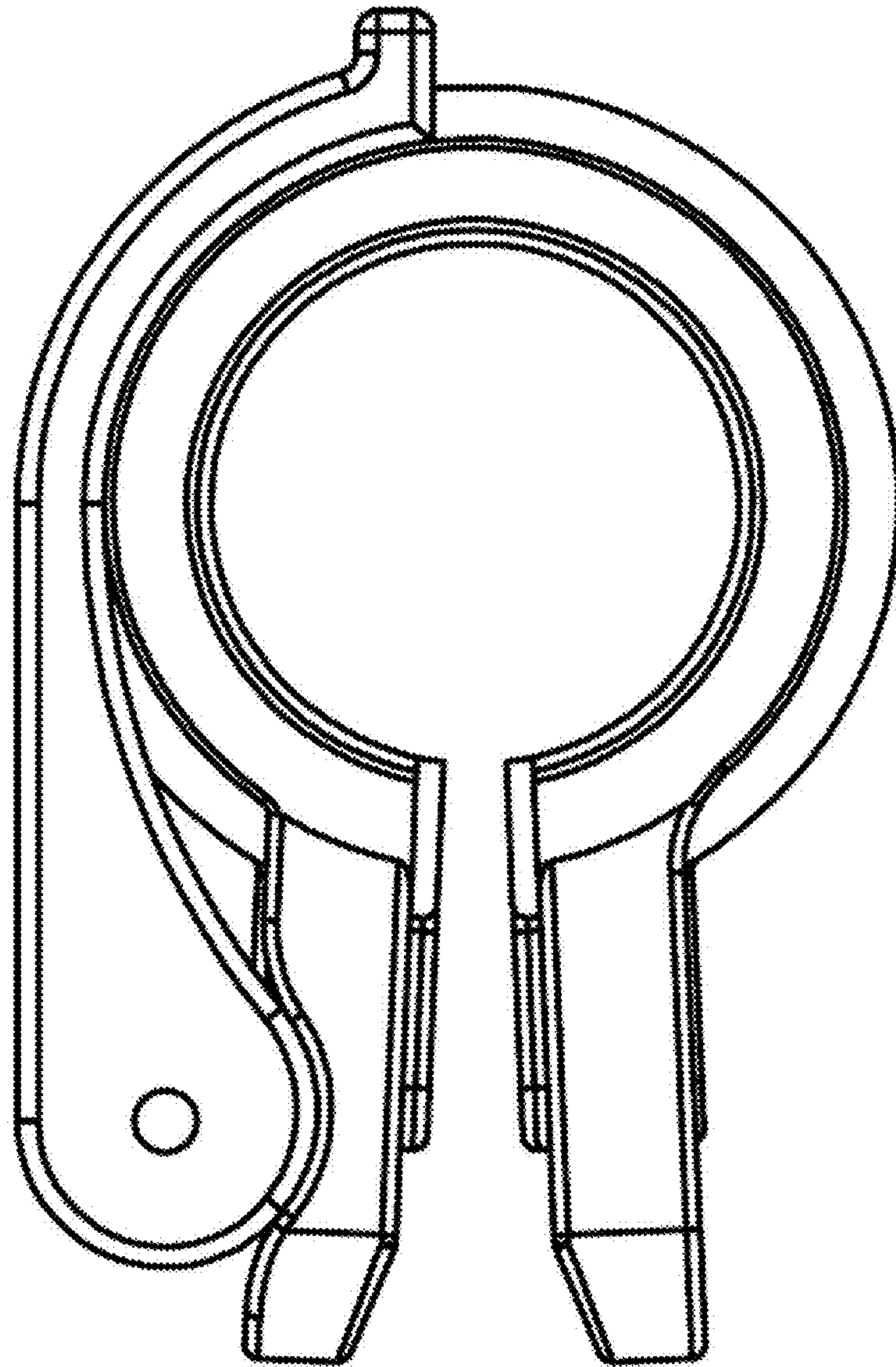


**Fig. 14**

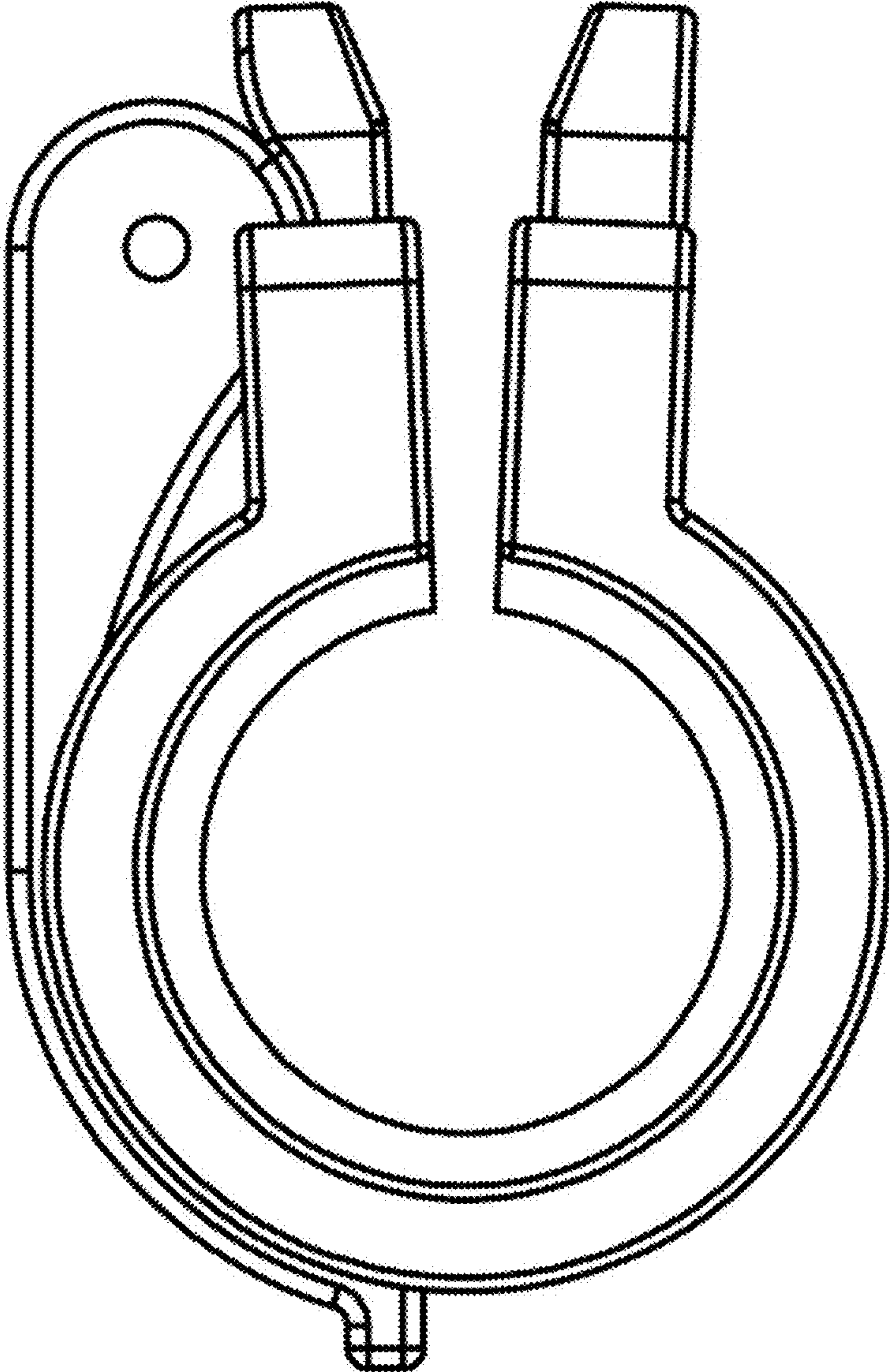




**Fig. 15**



**Fig. 16**



**Fig. 17**