



US00D850898S

(12) **United States Design Patent**
Vandenberg

(10) **Patent No.:** **US D850,898 S**
(45) **Date of Patent:** **** Jun. 11, 2019**

- (54) **FASTENER POSITIONING DEVICE**
- (71) Applicant: **National Nail Corp.**, Grand Rapids, MI (US)
- (72) Inventor: **Roger A. Vandenberg**, Hudsonville, MI (US)
- (73) Assignee: **National Nail Corp.**, Grand Rapids, MI (US)
- (**) Term: **15 Years**
- (21) Appl. No.: **29/675,948**
- (22) Filed: **Jan. 7, 2019**
- (51) **LOC (11) Cl.** **08-08**
- (52) **U.S. Cl.**
USPC **D8/382**
- (58) **Field of Classification Search**
USPC D8/382, 349, 354, 373, 374, 380, 394, D8/395, 398, 399
CPC E04F 15/02; E04F 15/04; E04F 15/02183; E04F 2015/02088; E04F 2015/02094; E04F 2201/05; E04F 2015/02116; E04F 2015/02122; E04F 2015/02077; Y10T 403/4602; Y10T 403/553; Y10T 403/75; F16B 5/002
See application file for complete search history.

- 3,760,547 A 9/1973 Brenneman
 - 4,125,972 A 11/1978 Pate
 - 4,126,006 A 11/1978 Lewis
 - 4,170,430 A 10/1979 Mrotzek
 - D271,941 S * 12/1983 Calapp D3/259
 - 4,701,066 A 10/1987 Beam et al.
 - 4,776,144 A 10/1988 Pardo
- (Continued)

OTHER PUBLICATIONS

Trex Elevations Deck Clips downloaded from <https://www.trex.com/products/accessory-hardware/> on Dec. 26, 2018.
(Continued)

Primary Examiner — Sandra S Snapp
Assistant Examiner — Ieisha N Price
(74) *Attorney, Agent, or Firm* — Warner Norcross + Judd, LLP

(57) **CLAIM**

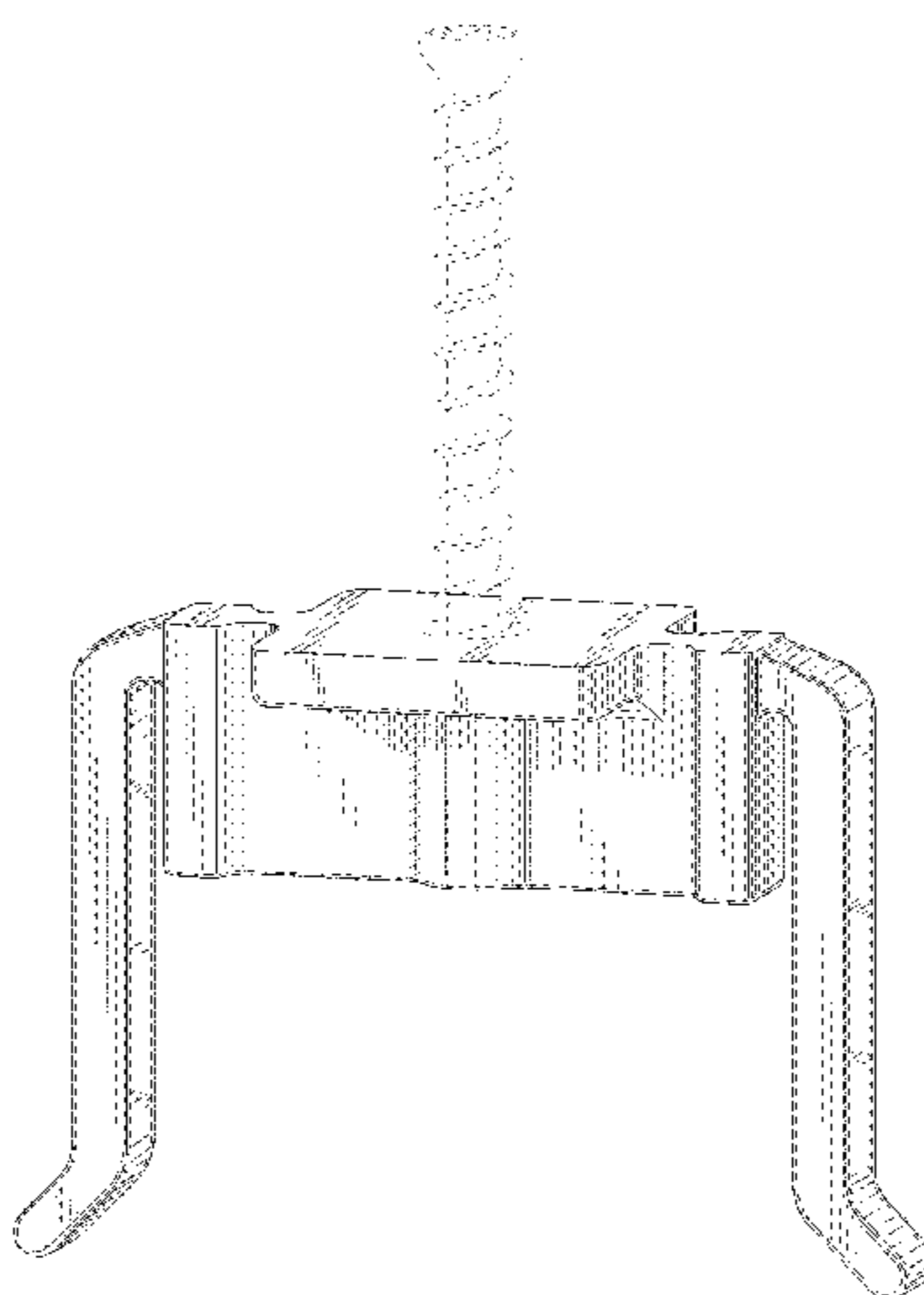
The ornamental design for a fastener positioning device, as shown and described.

DESCRIPTION

FIG. 1 is an upper perspective view of the fastener positioning device embodying the new design;
FIG. 2 is a front view thereof, the rear view being a mirror view thereof;
FIG. 3 is a right side view thereof, the left side being a mirror view thereof;
FIG. 4 is a top view thereof; and,
FIG. 5 is a bottom view thereof.
FIGS. 1-5 show features of a fastener positioning device in broken lines. These features are shown for environmental purposes and do not form any part of the claimed design. The broken lines immediately adjacent the solid line portions of the design form the boundary of the design, with the broken lines forming no part of the claimed design.

1 Claim, 3 Drawing Sheets

- (56) **References Cited**
U.S. PATENT DOCUMENTS
- 876,399 A 1/1908 Robinson
- 1,714,738 A 5/1929 Smith
- 1,879,459 A 9/1932 Pelton
- 1,888,611 A 11/1932 Wolfson
- 2,065,525 A 12/1936 Hamilton
- 2,116,737 A 5/1938 Urbain
- 2,129,975 A 9/1938 Urbain
- 2,129,976 A 9/1938 Urbain et al.
- 2,620,705 A 12/1952 Podvinecz



(56)

References Cited

U.S. PATENT DOCUMENTS

D319,002 S * 8/1991 Mirza D8/372
 5,271,670 A 12/1993 Grabher
 D359,726 S * 6/1995 Umeya D13/199
 D393,201 S * 4/1998 Hearidge D8/395
 D415,570 S * 10/1999 Bradshaw D24/224
 6,036,398 A 3/2000 Theodorou
 D435,684 S * 12/2000 Gary D26/138
 6,230,385 B1 5/2001 Nelson
 6,418,681 B1 7/2002 Dunks
 D476,555 S * 7/2003 Niwa D6/328
 6,647,638 B1 11/2003 Doyal
 6,651,400 B1 11/2003 Murphy
 6,675,545 B2 1/2004 Chen et al.
 6,871,467 B2 3/2005 Hafner
 6,986,934 B2 1/2006 Chen et al.
 6,993,875 B2 2/2006 Rudduck
 D519,024 S * 4/2006 Knight D8/395
 7,052,200 B2 5/2006 Harris
 7,168,213 B2 1/2007 Rudduck et al.
 D547,169 S * 7/2007 Harris D8/382
 7,600,353 B2 10/2009 Hafner
 7,721,503 B2 5/2010 Pervan et al.
 D619,880 S * 7/2010 MacDonald E04F 13/0826
 D8/354
 7,779,765 B2 8/2010 Donnell, Jr. et al.
 7,841,145 B2 11/2010 Pervan et al.
 7,841,150 B2 11/2010 Pervan
 D629,679 S * 12/2010 Riddell D8/394
 7,908,816 B2 3/2011 Grafenauer et al.
 7,980,041 B2 7/2011 Pervan et al.
 8,042,311 B2 10/2011 Pervan et al.
 8,079,196 B2 12/2011 Pervan
 D651,503 S * 1/2012 Ellis D8/349
 8,245,478 B2 8/2012 Bergelin et al.
 8,336,272 B2 12/2012 Prager et al.
 8,359,805 B2 1/2013 Pervan et al.
 D675,512 S * 2/2013 Gary D8/395
 8,387,327 B2 3/2013 Pervan
 8,499,521 B2 8/2013 Pervan et al.
 8,511,031 B2 8/2013 Bergelin et al.
 D690,583 S * 10/2013 Sendra-Gonzalez ... H02S 20/00
 D8/394
 8,544,230 B2 10/2013 Pervan
 8,608,407 B1 * 12/2013 Vaughn B63B 35/38
 403/294
 8,627,862 B2 1/2014 Pervan et al.
 8,650,826 B2 2/2014 Pervan et al.
 8,677,714 B2 3/2014 Pervan
 8,713,886 B2 5/2014 Pervan et al.
 8,726,769 B1 5/2014 Jacker
 8,733,065 B2 5/2014 Pervan
 8,763,341 B2 7/2014 Pervan
 8,769,905 B2 7/2014 Pervan et al.
 8,826,622 B2 9/2014 Cappelle et al.
 8,887,468 B2 11/2014 Hakansson et al.

8,925,274 B2 1/2015 Darko et al.
 8,991,055 B2 3/2015 Cappelle
 9,145,691 B2 9/2015 Cappelle
 9,212,493 B2 12/2015 Cappelle et al.
 9,216,541 B2 12/2015 Boo et al.
 9,222,267 B2 12/2015 Bergelin et al.
 9,238,917 B2 1/2016 Pervan et al.
 9,260,870 B2 2/2016 Vermeulen et al.
 9,347,469 B2 5/2016 Pervan et al.
 9,347,470 B2 5/2016 Maertens et al.
 9,366,036 B2 6/2016 Pervan
 9,388,584 B2 7/2016 Pervan et al.
 9,428,919 B2 8/2016 Pervan et al.
 9,458,634 B2 10/2016 Derelov
 9,476,208 B2 10/2016 Vermeulen et al.
 D796,939 S * 9/2017 Julian D8/367
 D821,853 S * 7/2018 Mikkelsen D8/354
 2004/0071505 A1 * 4/2004 Wisniewski F16B 12/26
 403/292
 2004/0168382 A1 9/2004 Rudduck et al.
 2005/0003160 A1 1/2005 Chen et al.
 2006/0179757 A1 8/2006 Schulner
 2007/0196624 A1 8/2007 Chen et al.
 2009/0108719 A1 4/2009 Lilly
 2009/0173032 A1 7/2009 Prager et al.
 2009/0193741 A1 8/2009 Cappelle
 2009/0249730 A1 10/2009 Vibiano
 2010/0050556 A1 3/2010 Bums
 2010/0107524 A1 5/2010 Moss
 2010/0260962 A1 10/2010 Chen et al.
 2010/0319290 A1 12/2010 Pervan et al.
 2011/0167744 A1 7/2011 Whispell et al.
 2011/0225922 A1 9/2011 Pervan et al.
 2012/0255158 A1 10/2012 Kawasaki
 2013/0287484 A1 10/2013 Phillips
 2014/0290173 A1 10/2014 Hamberger
 2014/0305064 A1 10/2014 Baker et al.
 2015/0211558 A1 7/2015 Garrison
 2017/0321434 A1 * 11/2017 Shadwell E04F 15/04
 2018/0010627 A1 * 1/2018 Shadwell E04B 1/003
 2019/0055738 A1 * 2/2019 Vandenberg E04F 15/02044

OTHER PUBLICATIONS

DeckLock Limited Universal Decking Spacers, downloaded from <http://www.hellotrade.com/decklock/universal-decking-spacers.html> (viewed Jun. 8, 2017).
 Deck Spacers, downloaded from <http://www.contractortalk.com/f50/spacers-cleats-simpson-worth-anything-82833/> viewed Jun. 8, 2017).
 Spacer clip, discovered 2017.
 Camo hidden deck clips and fasteners downloaded from https://www.decksdirect.com/camo-hidden-deck-clips-and-fasteners.html?source=merchant&742=957&gclid=EAIaIQobChMI1_HKw8Tc3wIVAp7ACh3JMwrrEAQYBSABEgLVtfd_BwE#742=957 on Jan. 7, 2019.

* cited by examiner

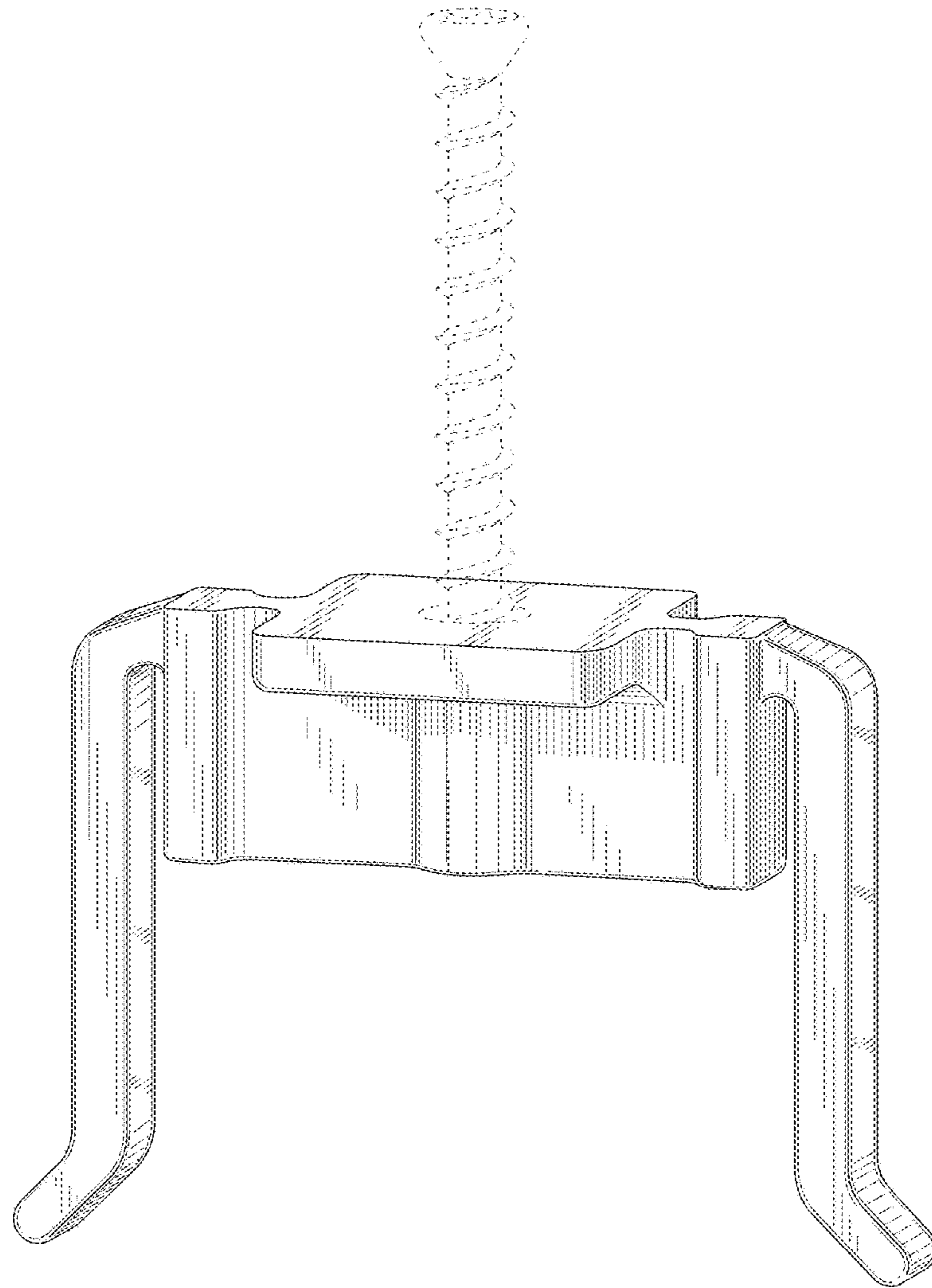


Fig. 1

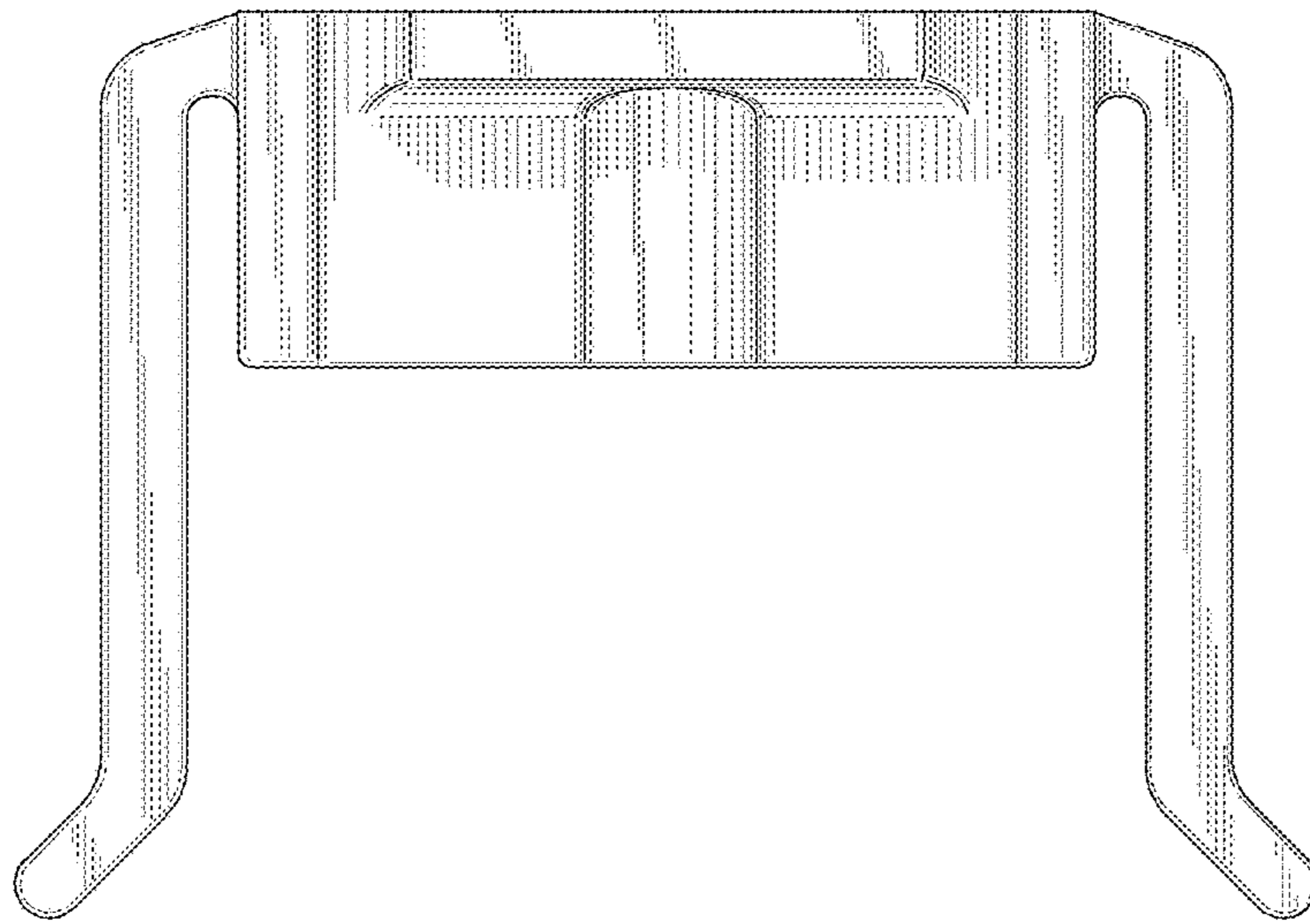


Fig. 2

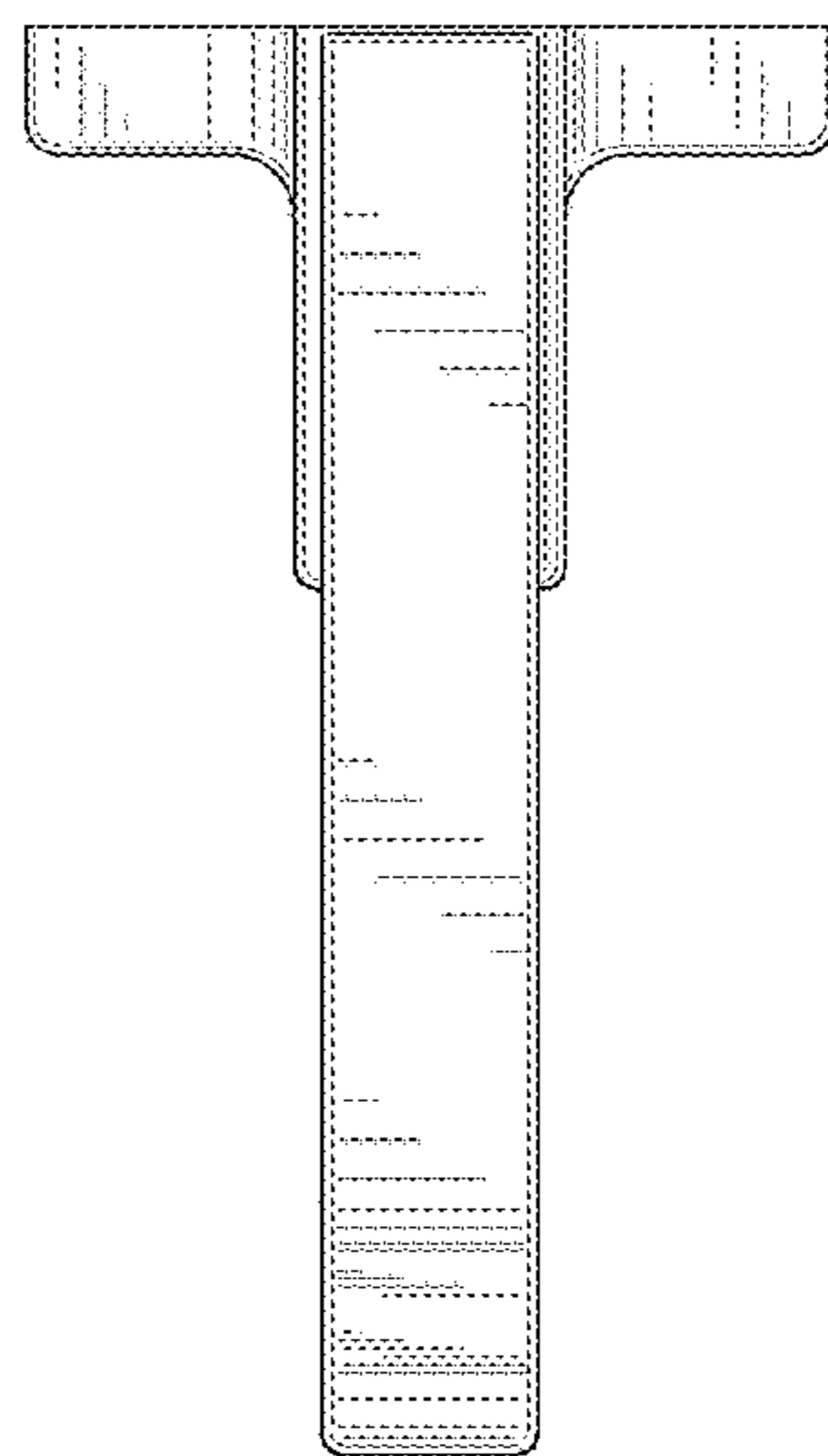


Fig. 3

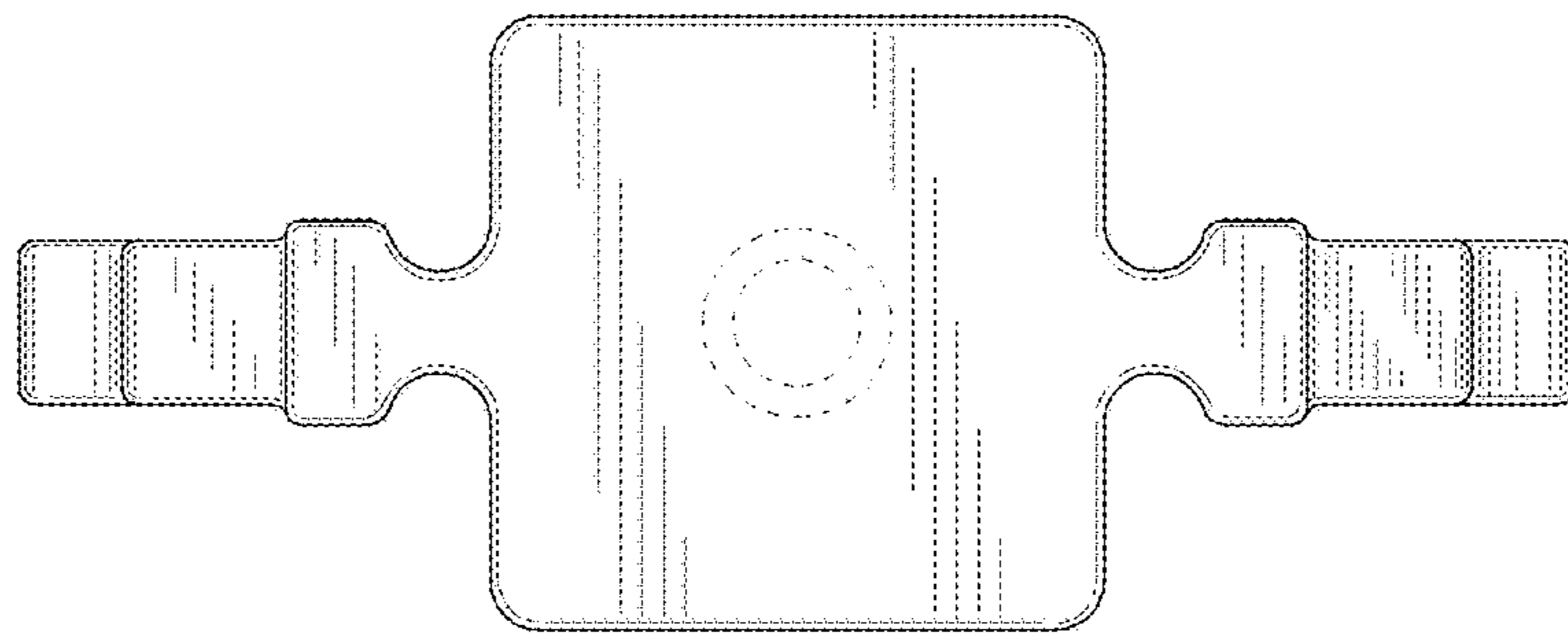


Fig. 4

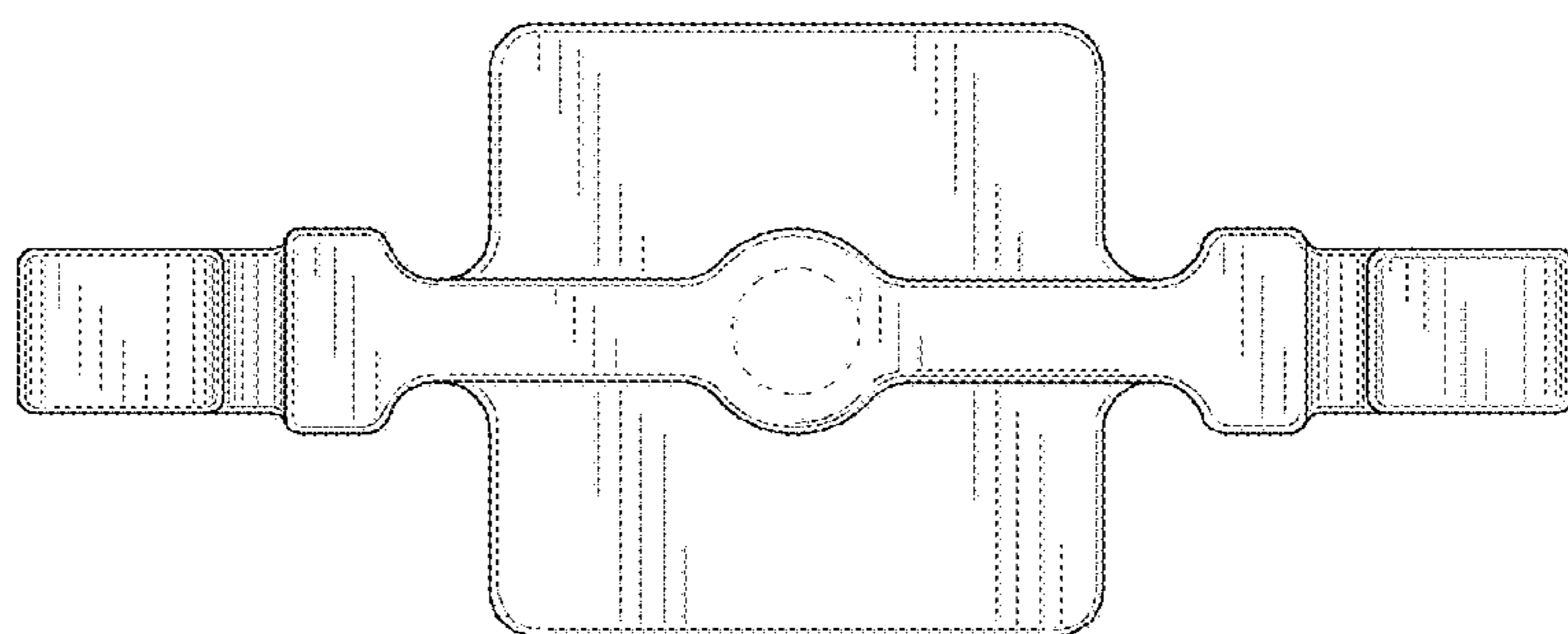


Fig. 5