



US00D850896S

(12) **United States Design Patent** (10) **Patent No.:** **US D850,896 S**
Shaw (45) **Date of Patent:** **** Jun. 11, 2019**

(54) **DOWEL TUBE**

(71) Applicant: **Shaw & Sons, Inc.**, Costa Mesa, CA (US)

(72) Inventor: **Ronald D. Shaw**, Costa Mesa, CA (US)

(73) Assignee: **Shaw & Sons, Inc.**, Costa Mesa, CA (US)

(**) Term: **15 Years**

(21) Appl. No.: **29/630,103**

(22) Filed: **Dec. 19, 2017**

(51) **LOC (11) Cl.** **08-08**

(52) **U.S. Cl.**
USPC **D8/382**

(58) **Field of Classification Search**
USPC D8/382, 387, 391, 393, 396; D25/68, D25/133, 134, 199
CPC F16B 9/00; F16B 13/02; F16B 13/141; E04B 1/483; E04B 1/4114; E04B 1/4121; E04G 21/185; E04C 5/161; E04C 5/162; E04C 5/165; E01C 11/14
See application file for complete search history.

5,618,125 A 4/1997 McPhee et al.
5,678,952 A * 10/1997 Shaw E01C 11/14 404/136
D387,437 S * 12/1997 Heaton D25/127
5,941,045 A * 8/1999 Plehanoff E04B 1/483 52/396.02
D420,752 S * 2/2000 Hiscock D25/68
6,145,262 A 11/2000 Schrader et al.
6,185,886 B1 * 2/2001 Gruen E02D 5/80 52/223.13
6,210,070 B1 4/2001 Shaw et al.
6,354,760 B1 3/2002 Boxall et al.
6,775,952 B2 8/2004 Boxall et al.
6,926,463 B2 8/2005 Shaw et al.
7,481,031 B2 1/2009 Boxall et al.

(Continued)

Primary Examiner — Sandra S Snapp
Assistant Examiner — Ieisha N Price
(74) *Attorney, Agent, or Firm* — Stetina Brunda Garred and Brucker

(57) **CLAIM**
The ornamental design for a dowel tube, as shown and described.

DESCRIPTION

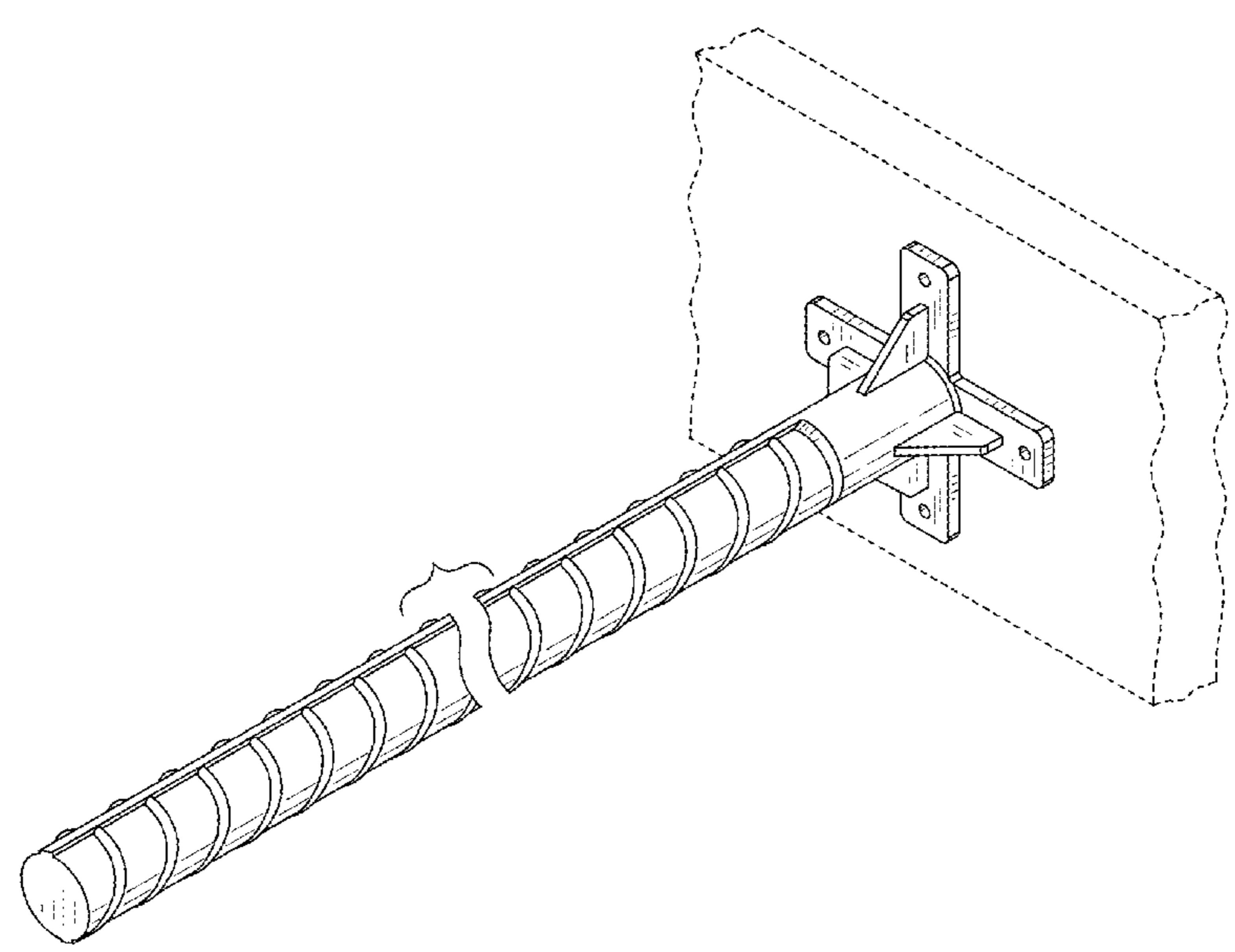
FIG. 1 is a perspective view of the dowel tube of the present invention showing my new design;
FIG. 2 is a top plan view thereof;
FIG. 3 is a left side view thereof;
FIG. 4 is a front view thereof;
FIG. 5 is a rear view thereof;
FIG. 6 is a right side elevational view thereof; and,
FIG. 7 is a bottom plan view thereof.
The broken lines in the drawings illustrate portions of the dowel tube and form no part of the claimed design.
The dowel tube is shown with a symbolic break in its length.
The appearance of any portion of the article between the break lines forms no part of the claimed design.

(56) **References Cited**

U.S. PATENT DOCUMENTS

2,823,573 A * 2/1958 Bradley B65H 75/14 242/118.61
D273,984 S * 5/1984 Vlock 433/225
4,619,096 A * 10/1986 Lancelot, III B21J 5/08 52/600
5,005,331 A * 4/1991 Shaw E01C 11/14 52/396.02
5,216,862 A * 6/1993 Shaw E01C 11/14 52/396.02
5,363,619 A 11/1994 McPhee
5,487,249 A 6/1996 Shaw et al.

1 Claim, 2 Drawing Sheets



(56)

References Cited

U.S. PATENT DOCUMENTS

7,637,689	B2	12/2009	Boxall et al.	
7,716,890	B2	5/2010	Boxall et al.	
7,736,088	B2	6/2010	Boxall et al.	
D619,885	S *	7/2010	Hansort	D8/356
7,874,762	B2	1/2011	Shaw et al.	
D634,168	S *	3/2011	Ghatikar	D8/10
7,967,528	B2	6/2011	Mercer et al.	
8,142,104	B2	3/2012	Mercer et al.	
8,302,359	B2	11/2012	Boxall et al.	
8,303,210	B2	11/2012	Parkes et al.	
8,356,955	B2	1/2013	Nadler	
8,381,470	B2	2/2013	Boxall et al.	
8,573,884	B2	11/2013	Nadler	
D694,725	S *	12/2013	Marq	D13/183
8,627,626	B2	1/2014	Boxall et al.	
D699,555	S *	2/2014	Yazich	D8/387
9,340,969	B1	5/2016	Shaw	
9,458,638	B2	10/2016	Parkes et al.	
9,617,694	B2	4/2017	Shaw	
2007/0134063	A1 *	6/2007	Shaw	E01C 11/14 404/62
2009/0060657	A1 *	3/2009	Albritton	E01C 11/14 404/72
2010/0319295	A1 *	12/2010	Nelson	E04C 5/20 52/677
2014/0248076	A1	9/2014	Shaw	
2015/0197898	A1	7/2015	Shaw	
2017/0096810	A1	4/2017	Shaw	
2018/0087265	A1 *	3/2018	Boyd	E04B 1/4114

* cited by examiner

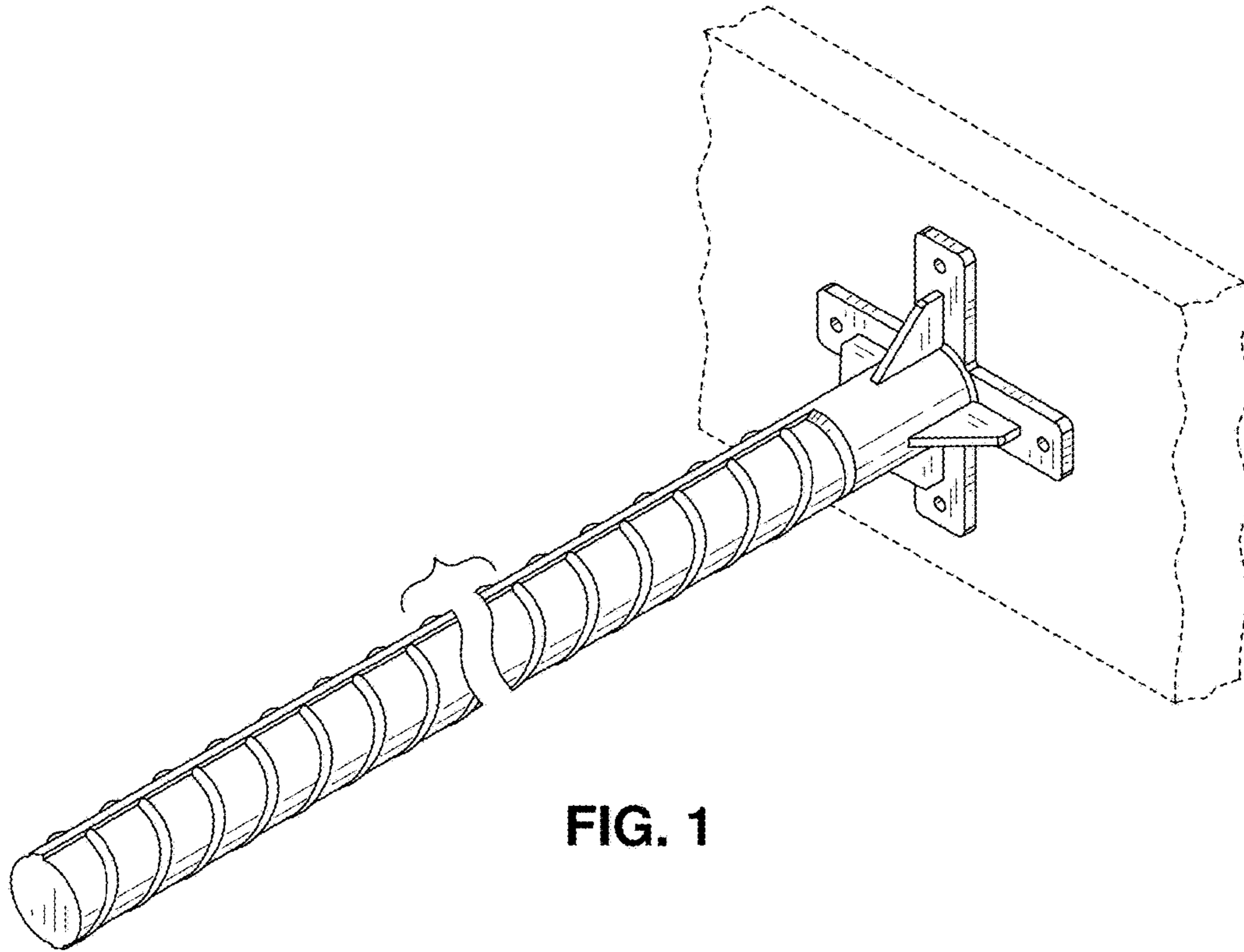


FIG. 1

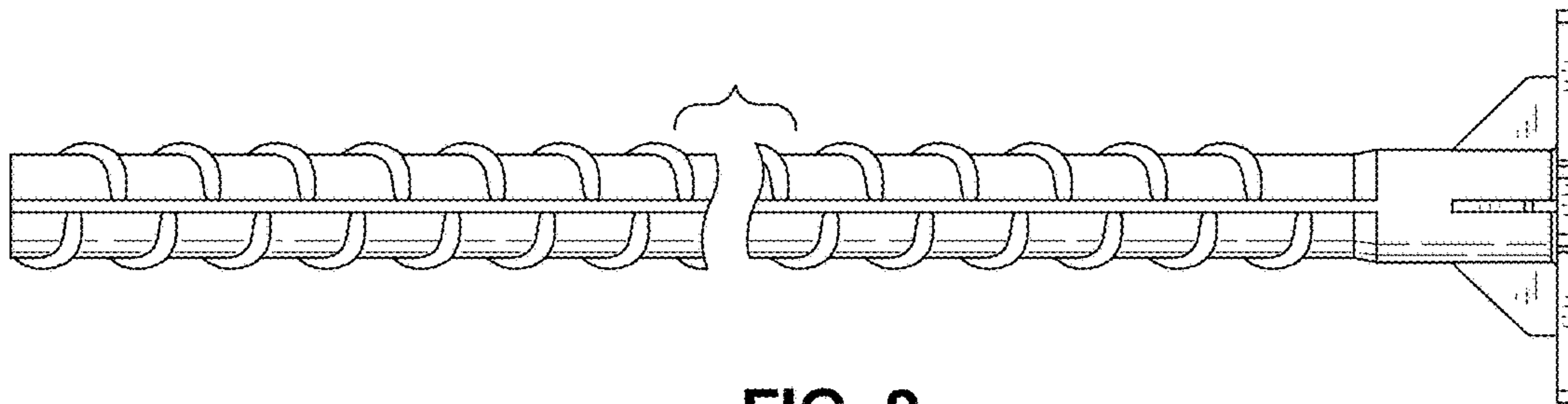


FIG. 2

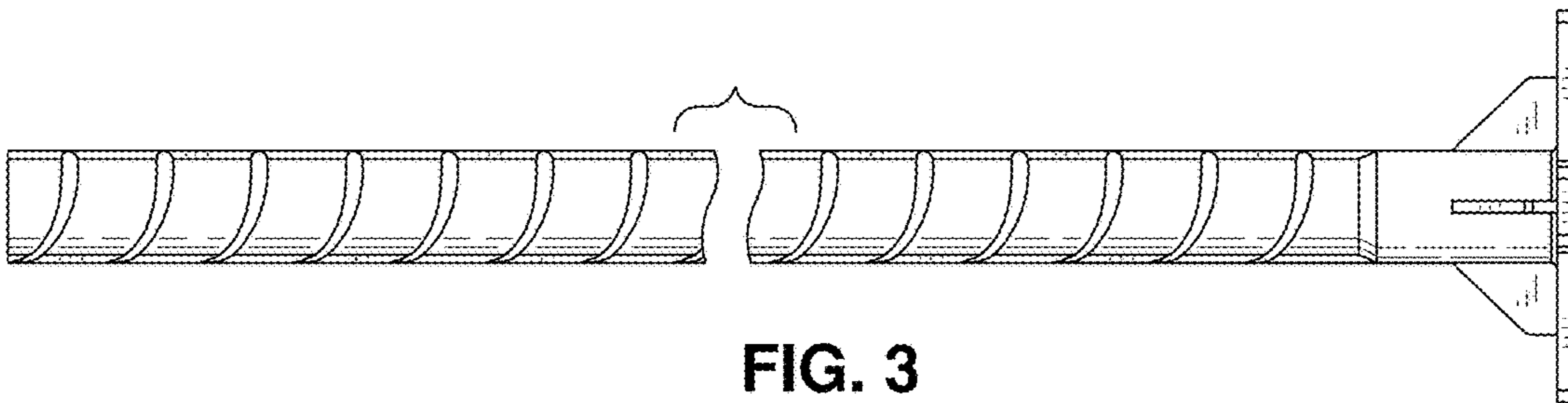


FIG. 3

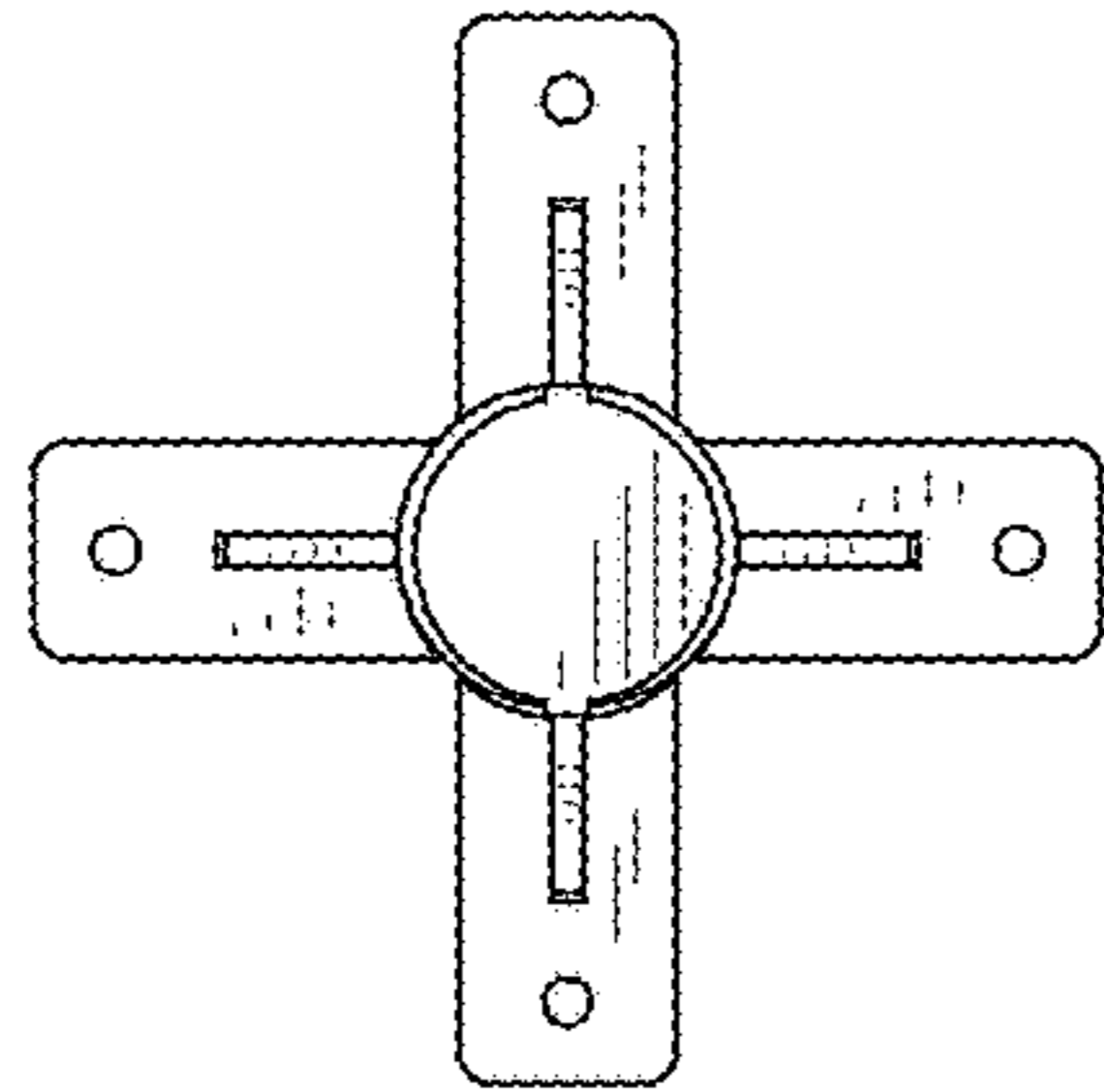


FIG. 4

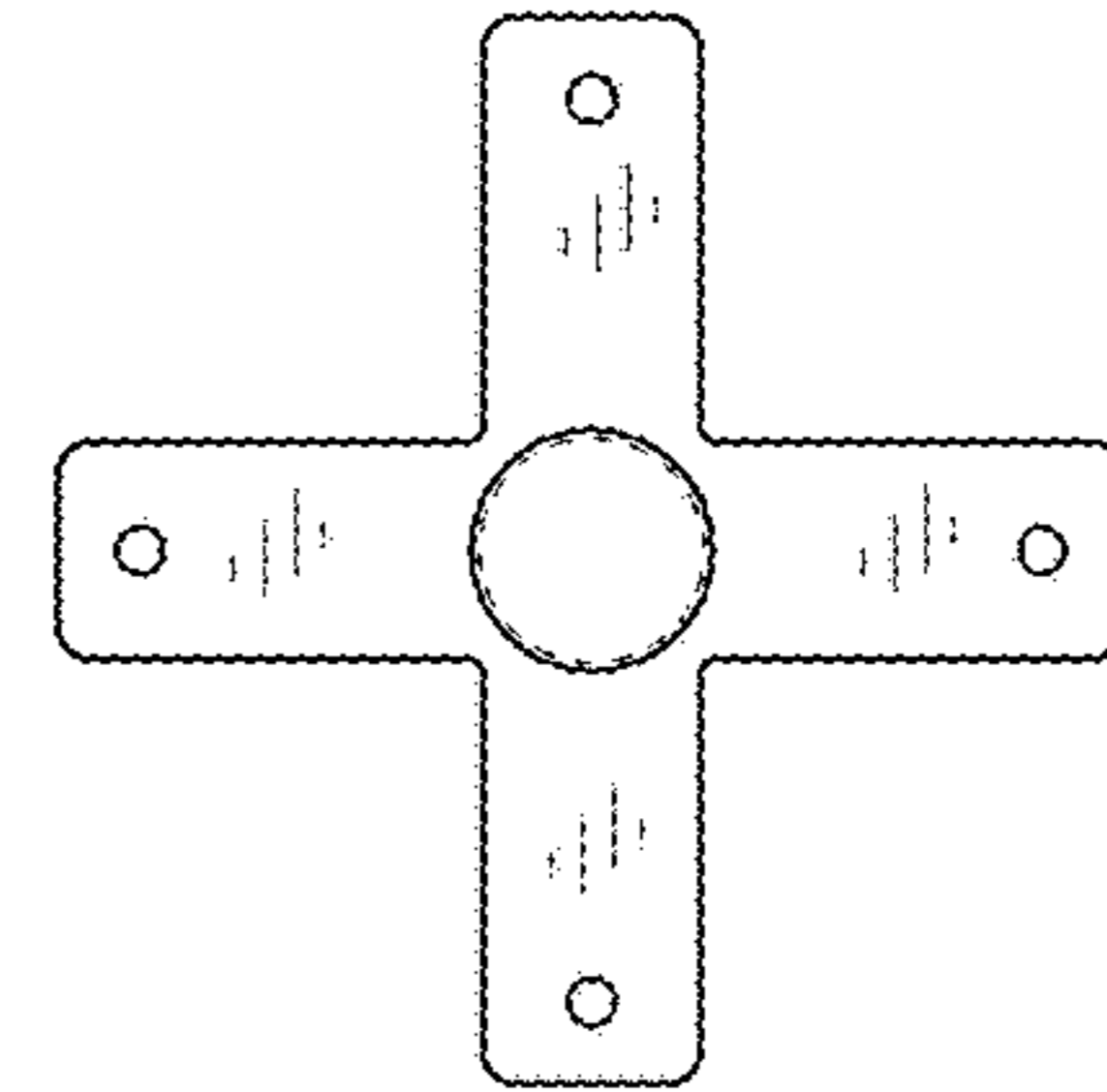


FIG. 5

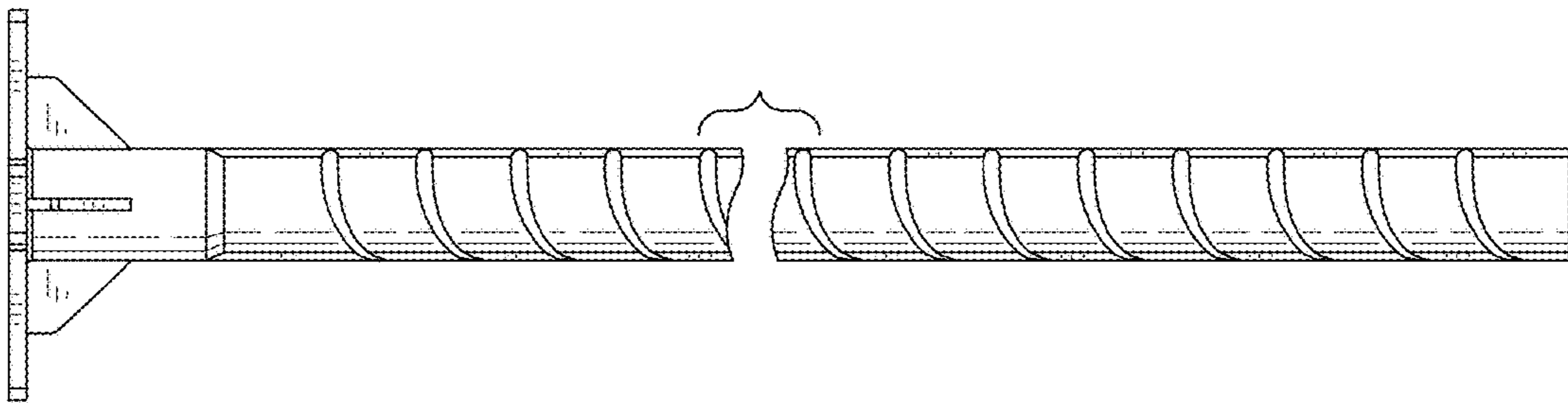


FIG. 6

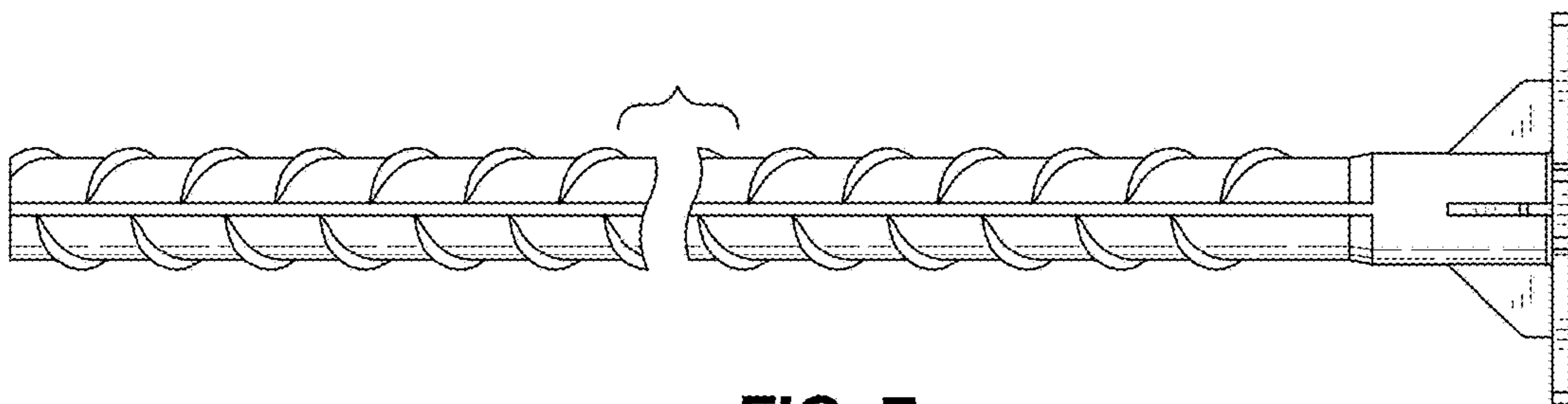


FIG. 7