



US00D850895S

(12) **United States Design Patent**
Rehhahn

(10) **Patent No.:** **US D850,895 S**
(45) **Date of Patent:** **** Jun. 11, 2019**

(54) **SHEET PILE**

(71) Applicant: **Jens Rehhahn**, Zeischa (DE)

(72) Inventor: **Jens Rehhahn**, Zeischa (DE)

(**) Term: **15 Years**

(21) Appl. No.: **29/629,167**

(22) Filed: **Dec. 12, 2017**

(51) **LOC (11) Cl.** **08-08**

(52) **U.S. Cl.**
USPC **D8/382**

(58) **Field of Classification Search**
USPC D8/16, 19, 71, 371, 366, 367, 382, 394,
D8/395; D25/119

CPC E02D 5/02; E02D 5/04; E02D 5/06; E02D
5/08; E02D 5/12; Y10T 403/73

See application file for complete search history.

(56) **References Cited**

U.S. PATENT DOCUMENTS

1,012,124	A *	12/1911	Conkling	E02D 5/04 198/850
1,197,374	A *	9/1916	Hobbs	E02D 5/04 405/281
1,498,778	A *	6/1924	Boardman	E02D 5/04 405/278
1,775,850	A *	9/1930	Dougherty	E02D 5/04 405/278
1,799,152	A *	4/1931	Boardman	E02D 5/04 29/897.3
3,402,560	A *	9/1968	Alm	B62D 33/06 181/230
4,863,315	A *	9/1989	Wickberg	E02D 5/08 405/278
6,234,720	B1 *	5/2001	Queen	E02D 5/30 405/232

D573,266	S *	7/2008	Chefren	D25/119
D612,220	S *	3/2010	Brundige	D8/16
D666,484	S *	9/2012	Heindl	D8/382
D717,636	S *	11/2014	Stanley	D8/363
D782,903	S *	4/2017	Heindl	D8/382
D788,573	S *	6/2017	Heindl	D8/382
D811,865	S *	3/2018	Heindl	D8/382
D811,867	S *	3/2018	Heindl	D8/382
2003/0053869	A1 *	3/2003	Moulin	E02D 5/14 405/274
2007/0183851	A1 *	8/2007	Van de Coterlet	E02D 5/06 405/279
2008/0145153	A1 *	6/2008	Wendt	E02B 3/108 405/274
2008/0175674	A1 *	7/2008	Heindl	E02D 5/08 405/278
2017/0002536	A1 *	1/2017	Dawson	E02D 5/04

* cited by examiner

Primary Examiner — Sandra S Snapp

Assistant Examiner — Ieisha N Prince

(74) *Attorney, Agent, or Firm* — 24IP Law Group USA,
PLLC; Timothy Dewitt

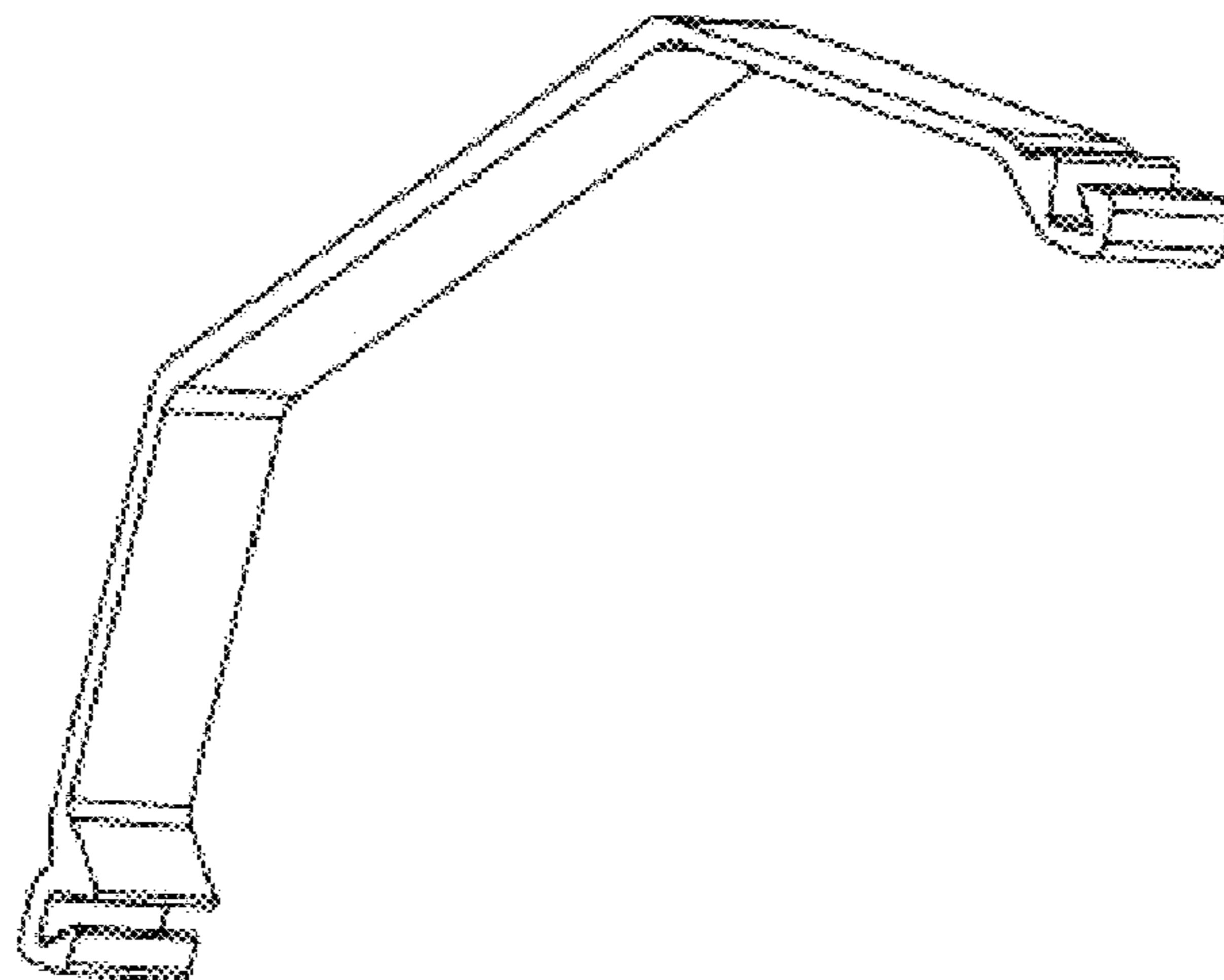
(57) **CLAIM**

The ornamental design for a sheet pile, as shown and described.

DESCRIPTION

FIG. 1 is a perspective view of the sheet pile;
FIG. 2 is a right side view of the sheet pile;
FIG. 3 is a left side view of the sheet pile;
FIG. 4 is a rear view of the sheet pile;
FIG. 5 is a front view of the sheet pile;
FIG. 6 is a bottom view of the sheet pile; and,
FIG. 7 is a top view of the sheet pile.

1 Claim, 3 Drawing Sheets



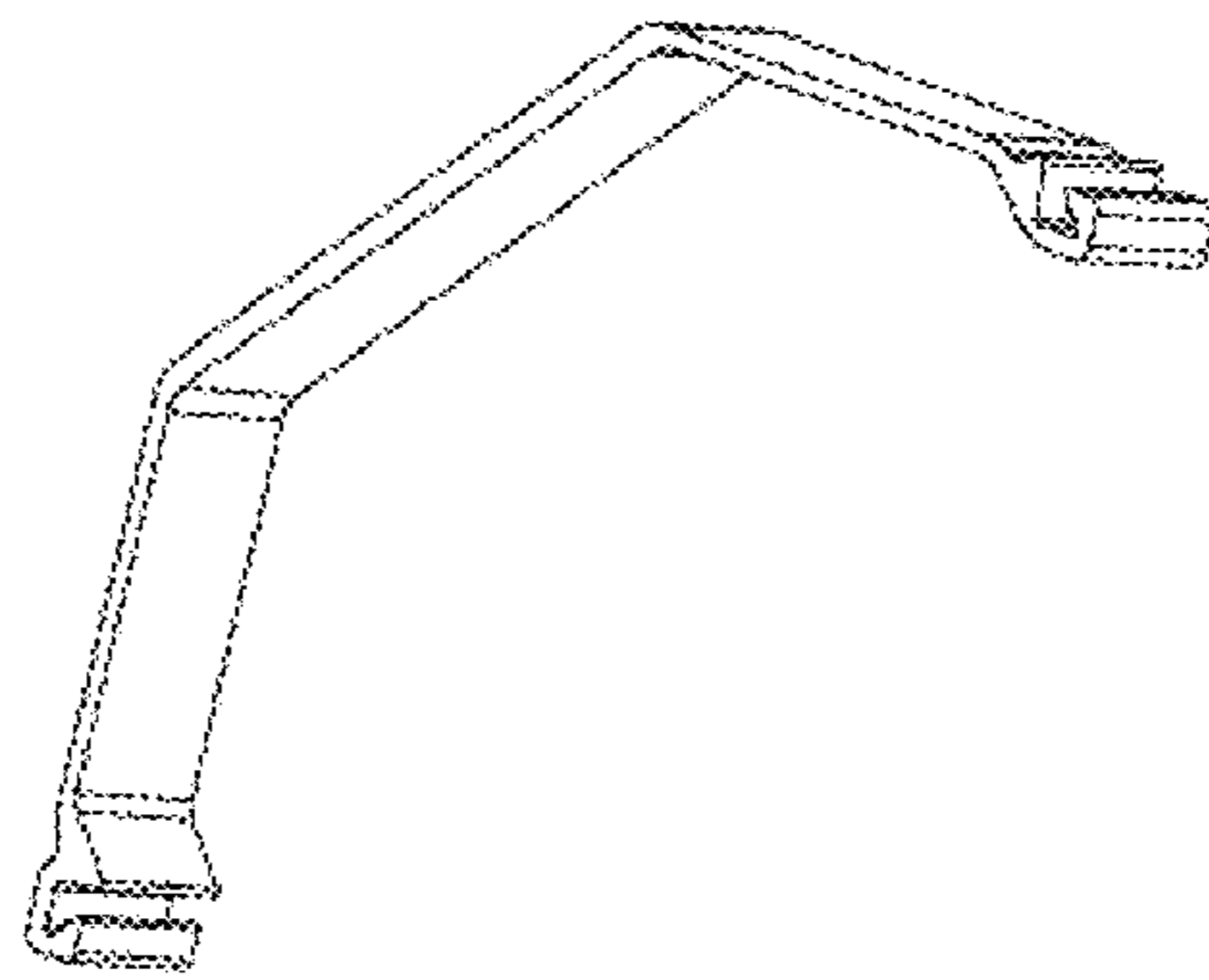


FIG. 1

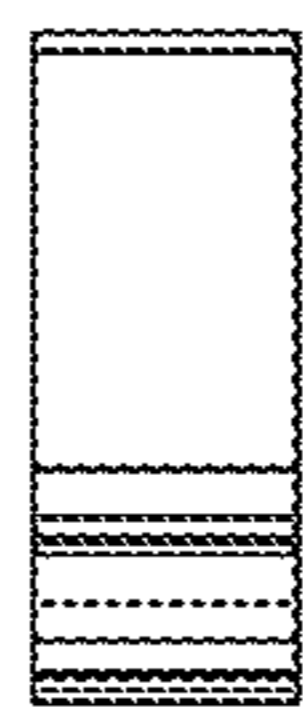


FIG. 2

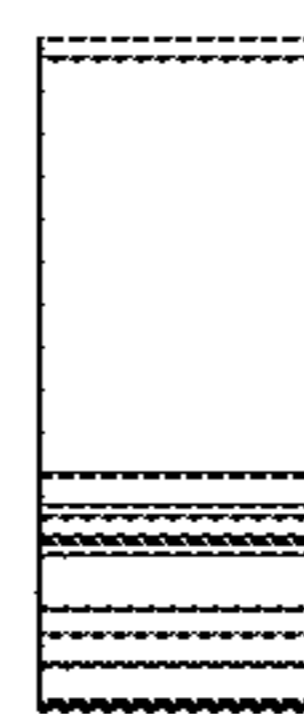


FIG. 3

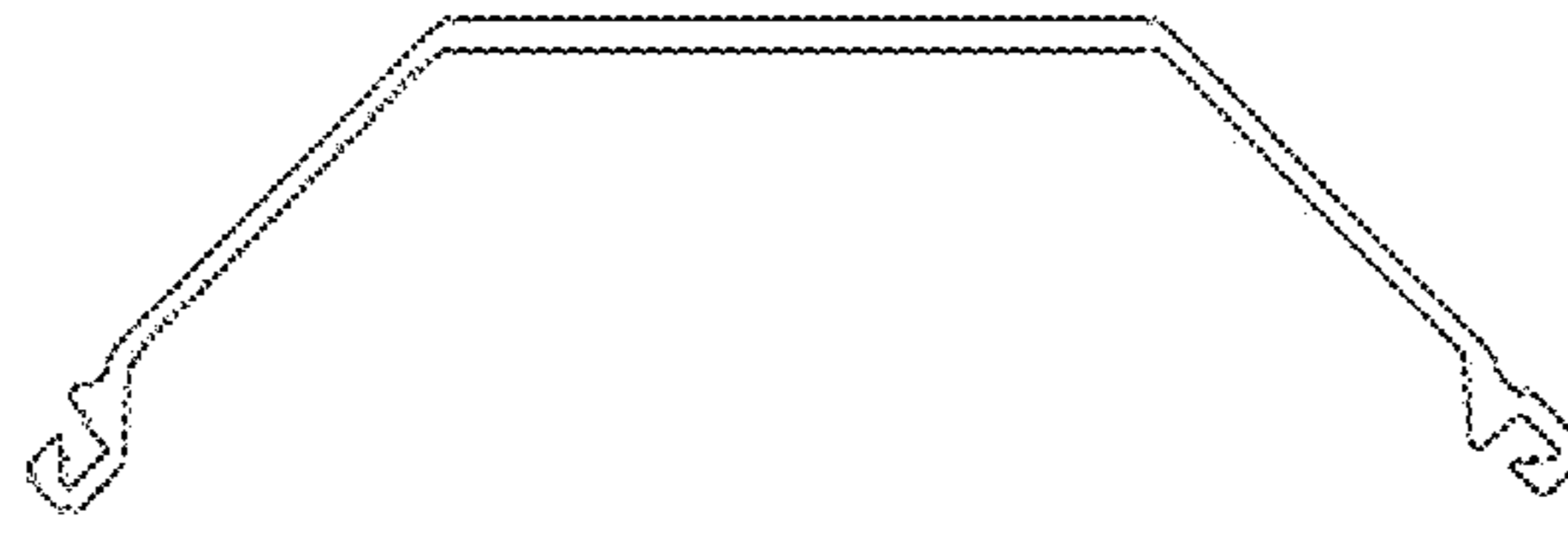


FIG. 4

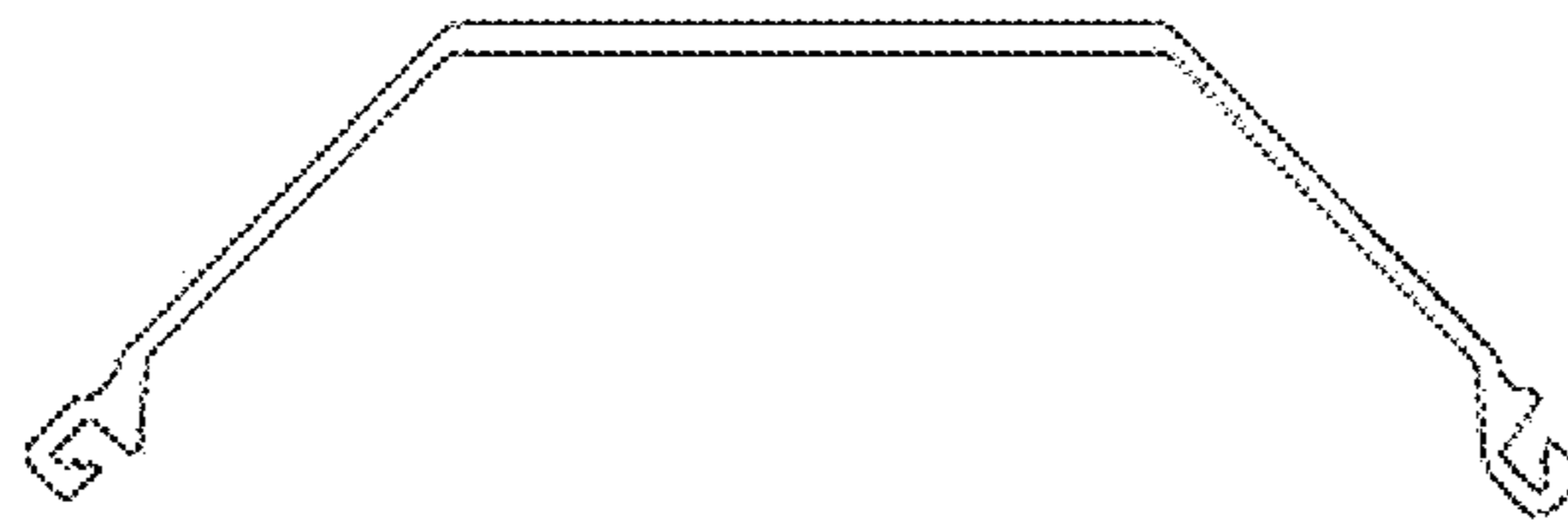


FIG. 5



FIG. 6



FIG. 7