



US00D850893S

(12) **United States Design Patent** (10) **Patent No.:** **US D850,893 S**
Lissoni (45) **Date of Patent:** **** Jun. 11, 2019**

(54) **SOFA**
 (71) Applicant: **B&B ITALIA S.p.A.**, Milan (IT)
 (72) Inventor: **Piero Lissoni**, Milan (IT)
 (73) Assignee: **B&B ITALIA S.P.A.**, Milan (IT)
 (**) Term: **15 Years**
 (21) Appl. No.: **29/619,471**
 (22) Filed: **Sep. 29, 2017**

(30) **Foreign Application Priority Data**

Mar. 31, 2017 (IT) 402017000035951

(51) **LOC (11) Cl.** **06-01**
 (52) **U.S. Cl.**
 USPC **D8/381**

(58) **Field of Classification Search**

USPC D6/334, 335, 336, 360, 361, 367, 368,
 D6/371-375, 379-381, 716, 716.1-716.8
 CPC A47C 7/00; A47C 7/62; A47C 7/18; A47C
 7/54; A47C 4/00; A47C 4/028; A47C
 4/28; A47C 3/16; A47C 3/04; A47C 3/12;
 A47C 1/02; A47C 1/14

See application file for complete search history.

(56) **References Cited**

U.S. PATENT DOCUMENTS

D432,807 S * 10/2000 Gollinucci D6/334
 D567,527 S * 4/2008 Galardo D6/381

D603,617 S * 11/2009 Weiss D6/381
 D603,619 S * 11/2009 Weiss D6/381
 D615,315 S * 5/2010 Andersen D6/367
 D616,215 S * 5/2010 Andersen D6/381
 D628,402 S * 12/2010 Missoni D6/381
 D720,944 S * 1/2015 Barber D6/381
 D737,070 S * 8/2015 Sonmez D6/381
 D762,998 S * 8/2016 Warren D6/371
 D773,837 S * 12/2016 Bougay D6/334
 D785,955 S * 5/2017 Jourdan D6/334
 D798,627 S * 10/2017 Rockwell D6/381
 D804,843 S * 12/2017 Urquiola D6/381

* cited by examiner

Primary Examiner — Deanna L Pratt

(74) *Attorney, Agent, or Firm* — Thomas | Horstemeyer,
 LLP

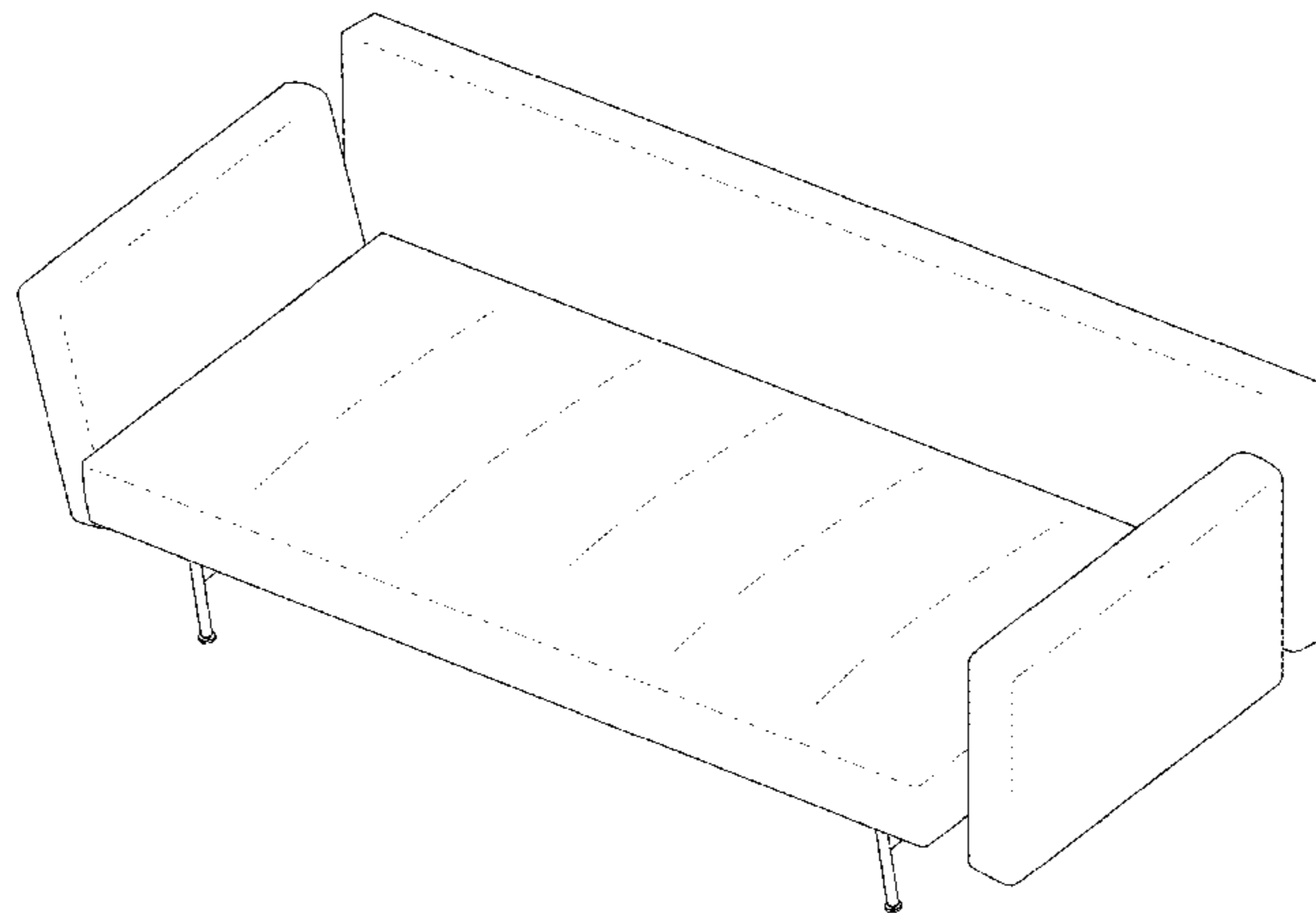
(57) **CLAIM**

The ornamental design for a sofa, as shown and described.

DESCRIPTION

FIG. 1 is a perspective view of a sofa showing my new design;
 FIG. 2 is a side view thereof;
 FIG. 3 is a side view thereof, opposite that of FIG. 2;
 FIG. 4 is a front view thereof;
 FIG. 5 is a rear view thereof, from a side opposite that of FIG. 4;
 FIG. 6 is a top view thereof; and,
 FIG. 7 is a bottom view thereof, opposite that of FIG. 6.
 The sofa can be made in any color or combination of colors or shades.

1 Claim, 7 Drawing Sheets



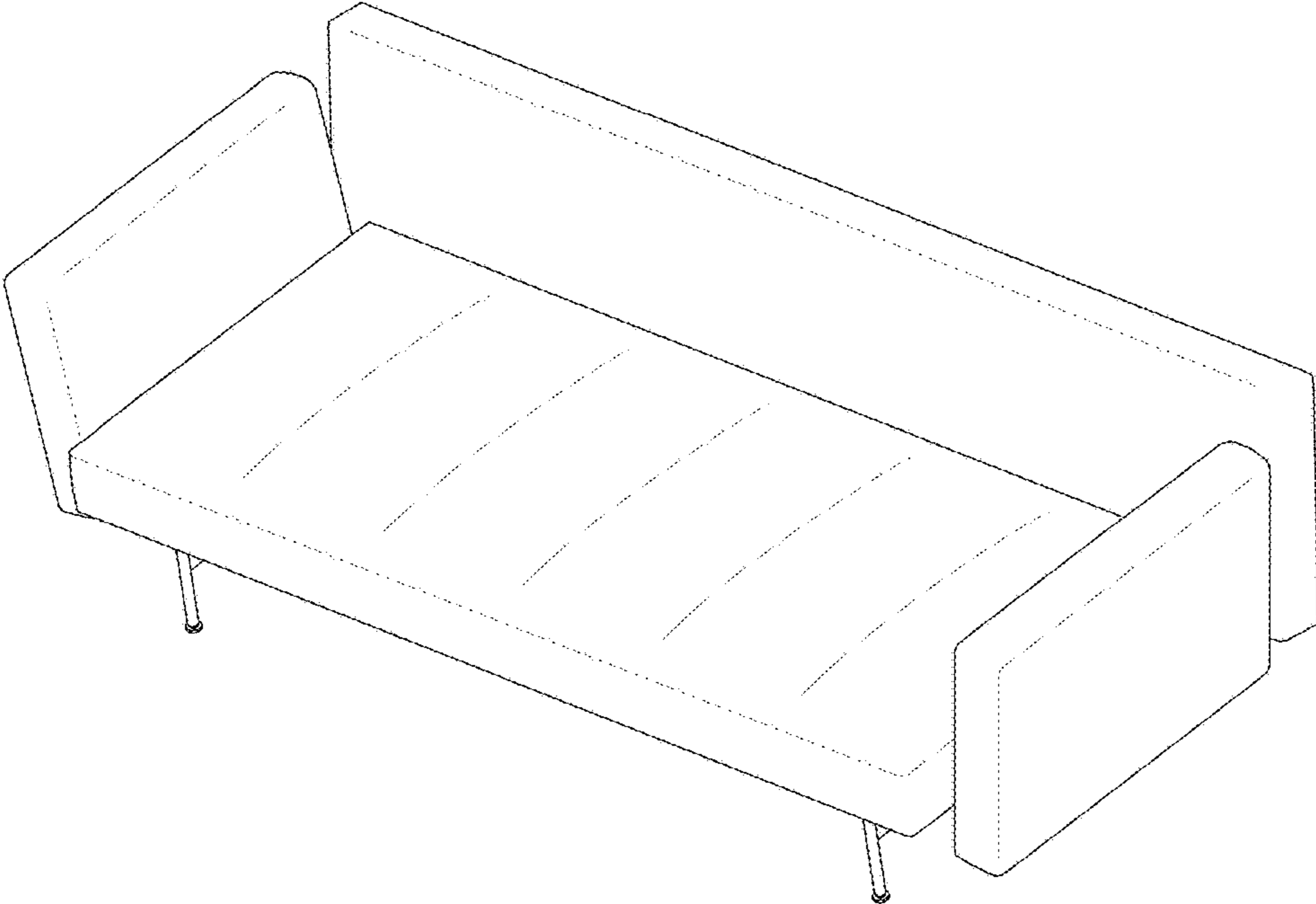


FIG. 1

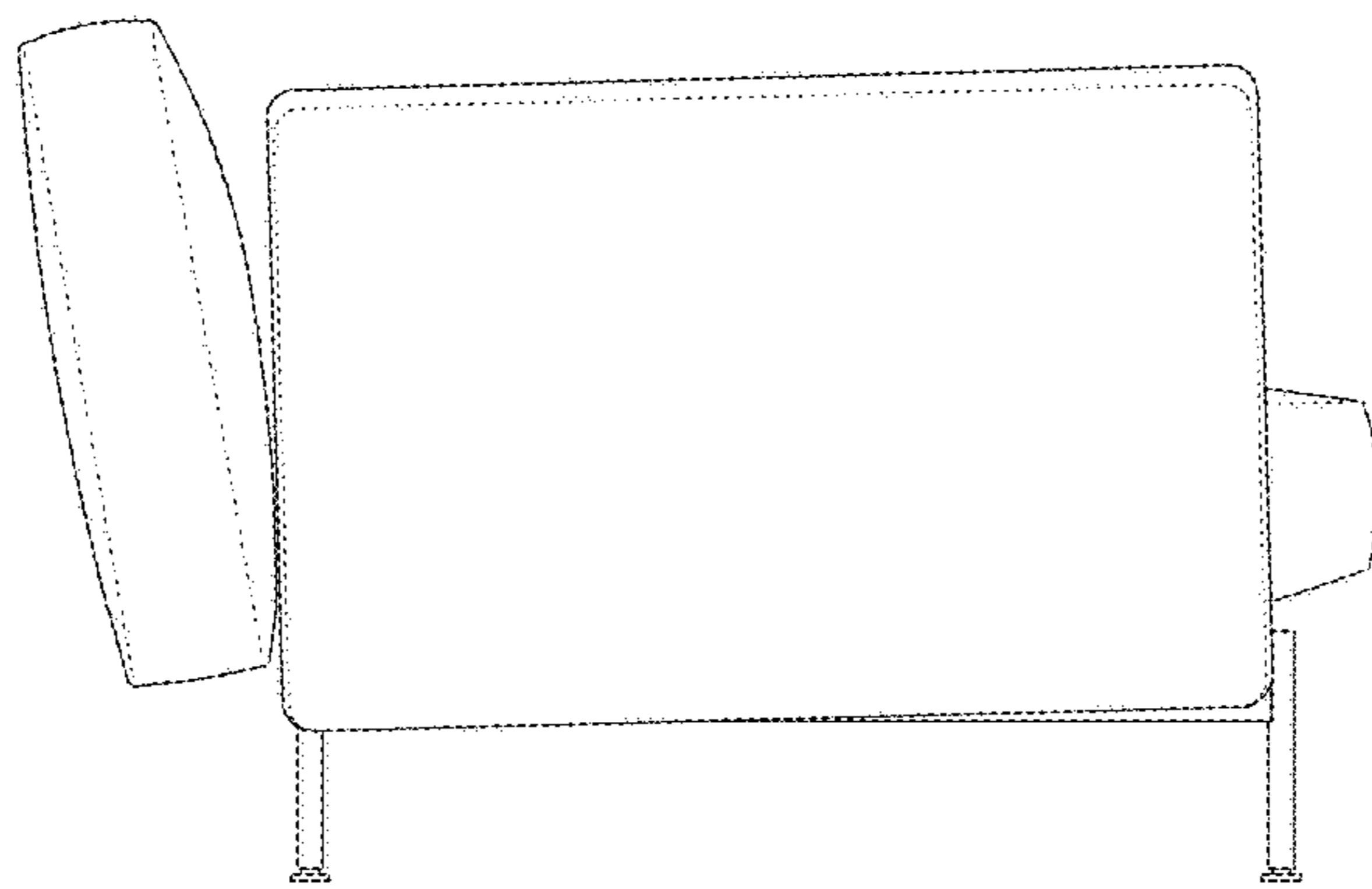


FIG. 2

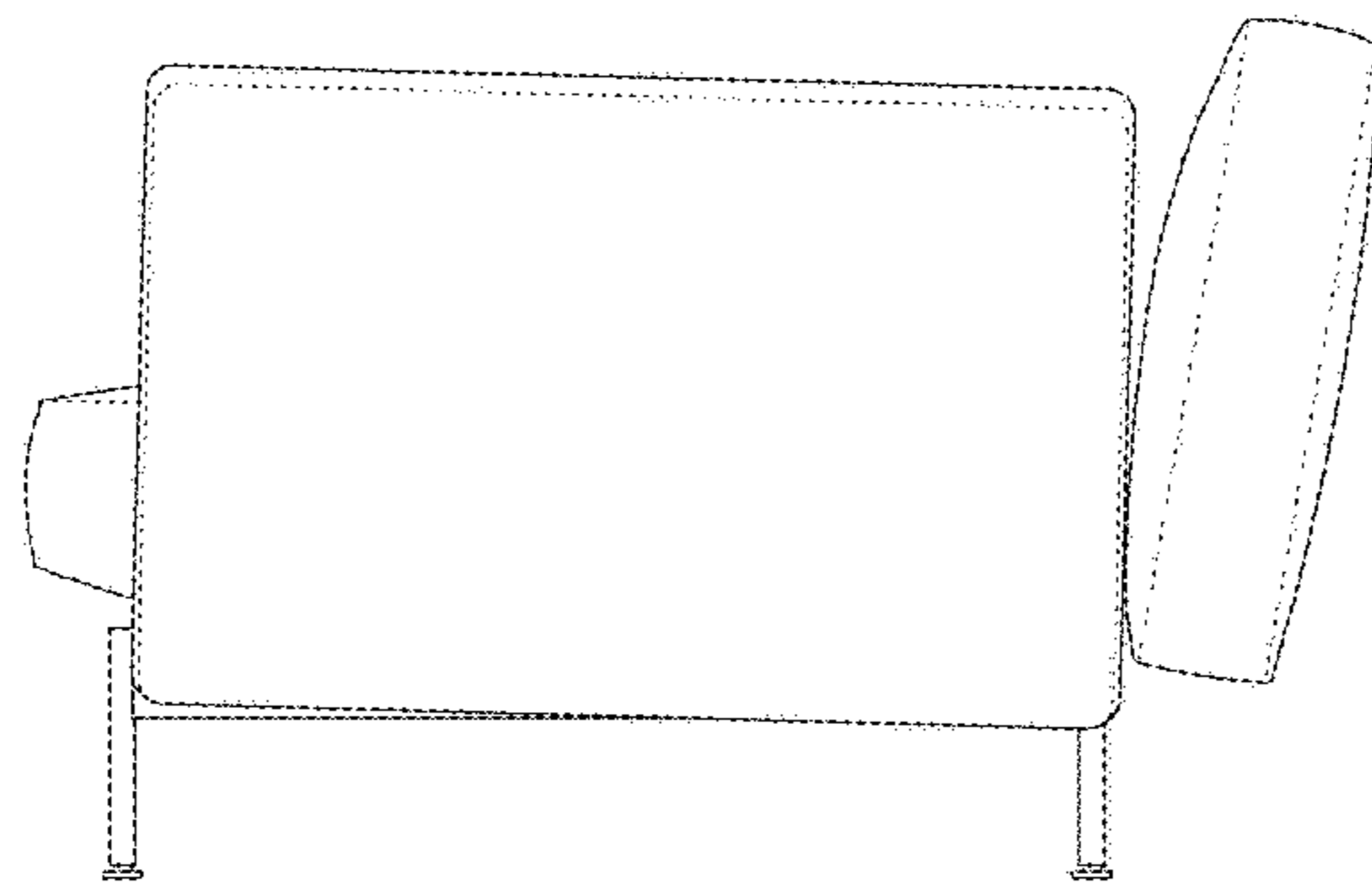


FIG. 3

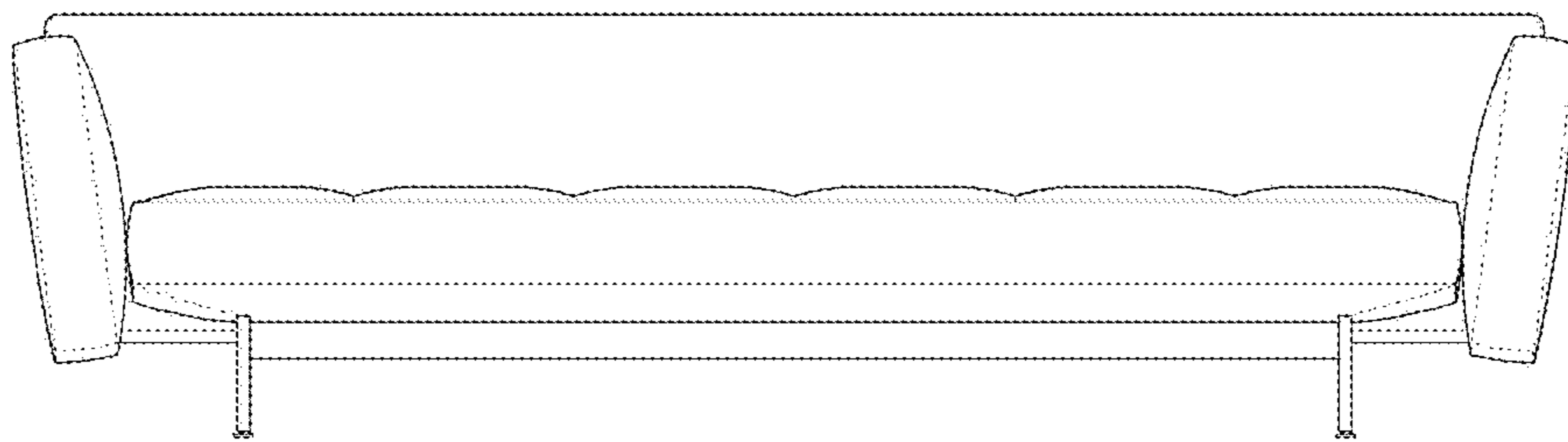


FIG. 4

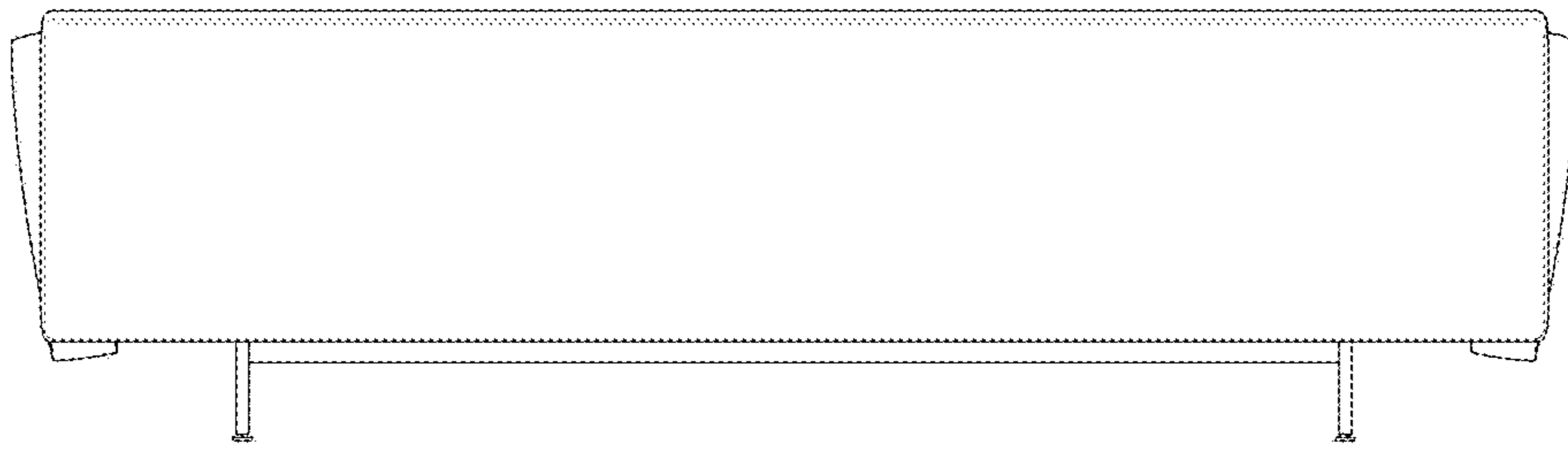


FIG. 5

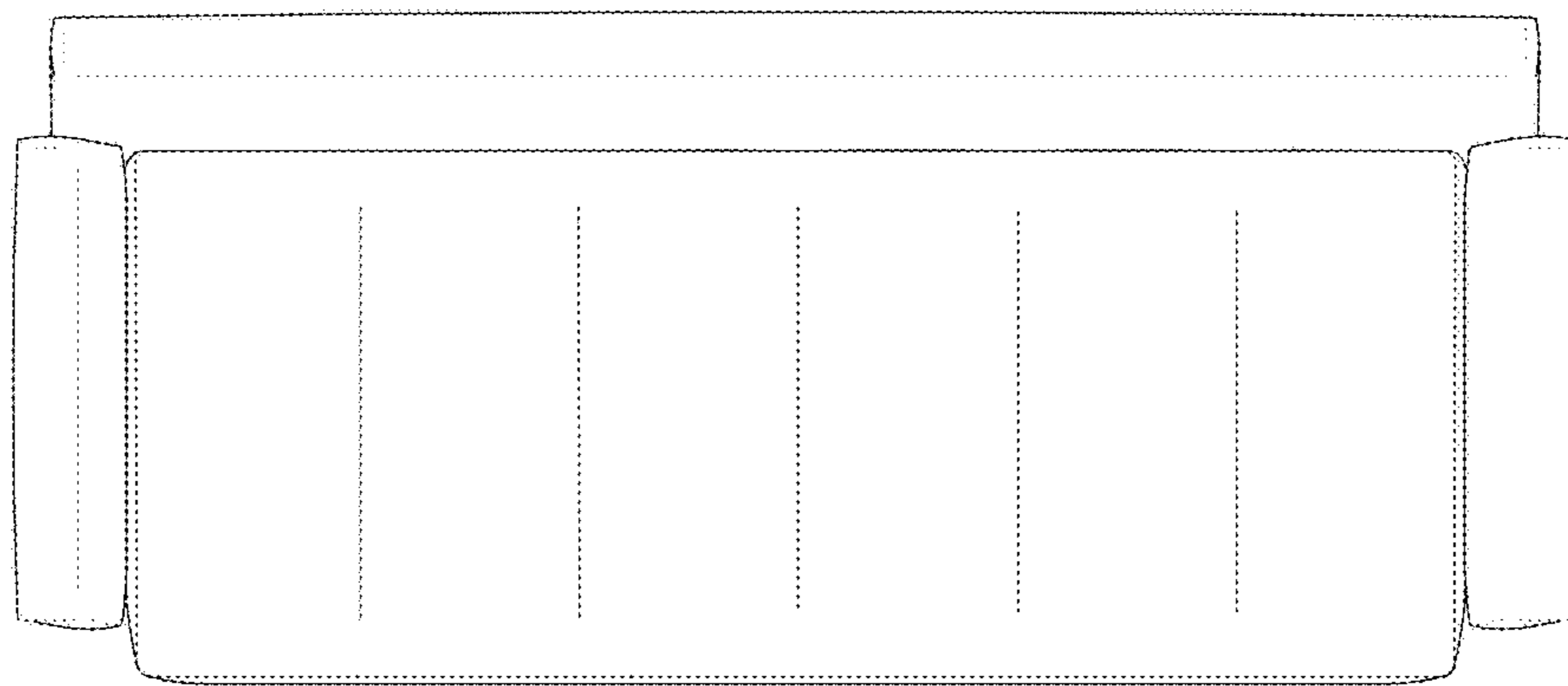


FIG. 6

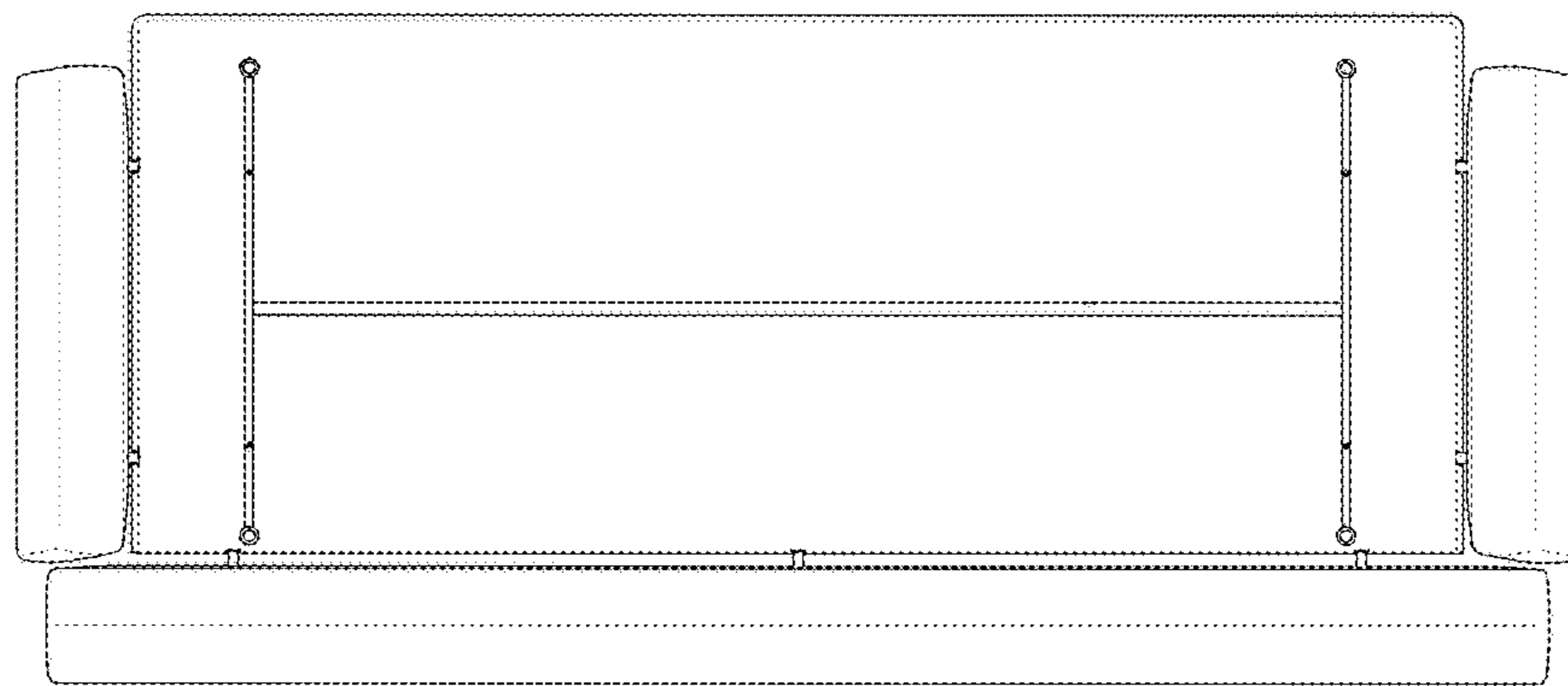


FIG. 7