



US00D850892S

(12) **United States Design Patent** (10) **Patent No.:** **US D850,892 S**  
**Lin** (45) **Date of Patent:** **\*\* Jun. 11, 2019**

- (54) **MOUNTING BRACKET**
- (71) Applicant: **Yen-Cheng Lin**, Taichung (TW)
- (72) Inventor: **Yen-Cheng Lin**, Taichung (TW)
- (\*\*) Term: **15 Years**
- (21) Appl. No.: **29/637,970**
- (22) Filed: **Feb. 23, 2018**
- (51) **LOC (11) Cl.** ..... **08-05**
- (52) **U.S. Cl.**  
 USPC ..... **D8/373**
- (58) **Field of Classification Search**  
 USPC ..... D8/373, 358, 359, 354, 71, 330, 336,  
 D8/351, 356, 360.1, 363, 364, 367, 370,  
 D8/372, 379, 381, 382, 395, 396;  
 D6/349, 352; D9/426, 502, 750;  
 D10/72, 73, 89; D11/79, 93; D13/103,  
 D13/107; D19/67; D21/673, 674, 675,  
 D21/839, 840; D25/19, 62, 68, 69;  
 D26/40, 49; D29/122, 124; D30/153,  
 D30/155  
 CPC ..... B65H 75/40; B65H 75/4407; B65H  
 75/4471; B65H 2701/34; B65H 2701/32;  
 B65H 2511/142; B65H 29/008; B65H  
 2701/33; B65H 54/585; B65H 51/22;  
 B65H 75/08; B65H 75/02; B65H  
 2301/41485; B65H 75/4468; B65H  
 2301/414323; B65H 2301/414325; B65H  
 16/02; B65H 2301/4131; B65H 75/403;  
 B65H 75/441; B65D 85/66; B65D 85/67;  
 B66D 3/006; B66D 3/18; B66D 3/26;  
 B66D 3/02; B66D 3/14; B63B 21/18;  
 B63B 21/26; B65B 57/005; A61G  
 7/1051; A61G 7/1061; B66B 11/08;  
 A62C 33/04; B08B 2203/0276; B21C  
 47/28; H02G 11/02; A01K 89/003; H04M  
 1/15; A01D 34/822; A47L 9/26; H04R  
 1/1033; Y10S 24/909; E05C 19/10; E05C  
 17/50; E05C 3/045; E05C 3/30; E05C  
 19/02; E05C 19/026; A47G 25/0614;

A47G 25/18; A47G 25/32; A47G 7/047;  
 A47G 7/045; A47G 7/042; A47G 7/044;  
 F16B

(Continued)

(56) **References Cited**

U.S. PATENT DOCUMENTS

D304,291 S \* 10/1989 Weinerman ..... D8/331  
 D556,015 S \* 11/2007 Muchnik ..... D8/349

(Continued)

*Primary Examiner* — Barbara Fox

*Assistant Examiner* — Kristin E Reed

(74) *Attorney, Agent, or Firm* — Muncy, Geissler, Olds & Lowe, P.C.

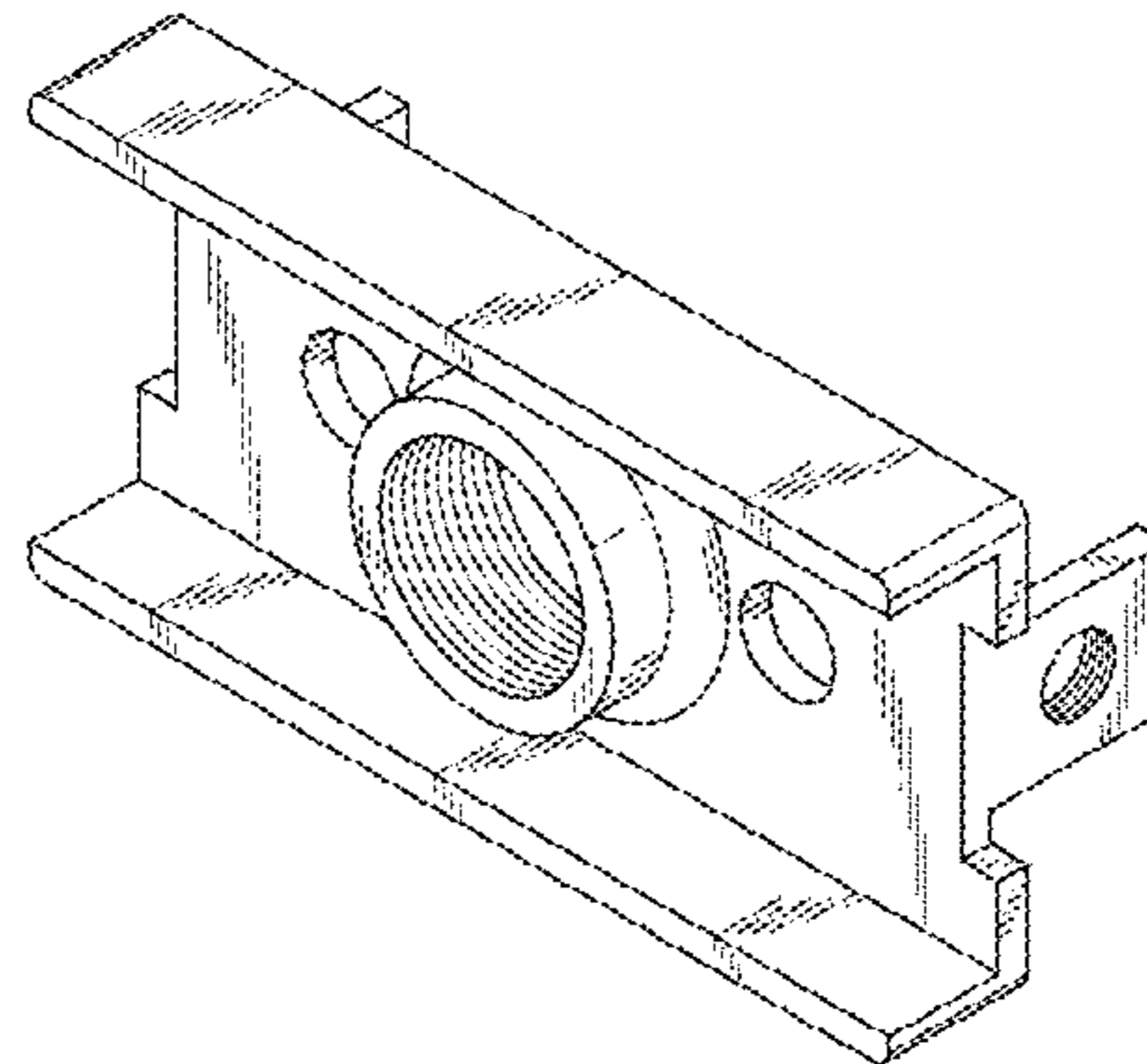
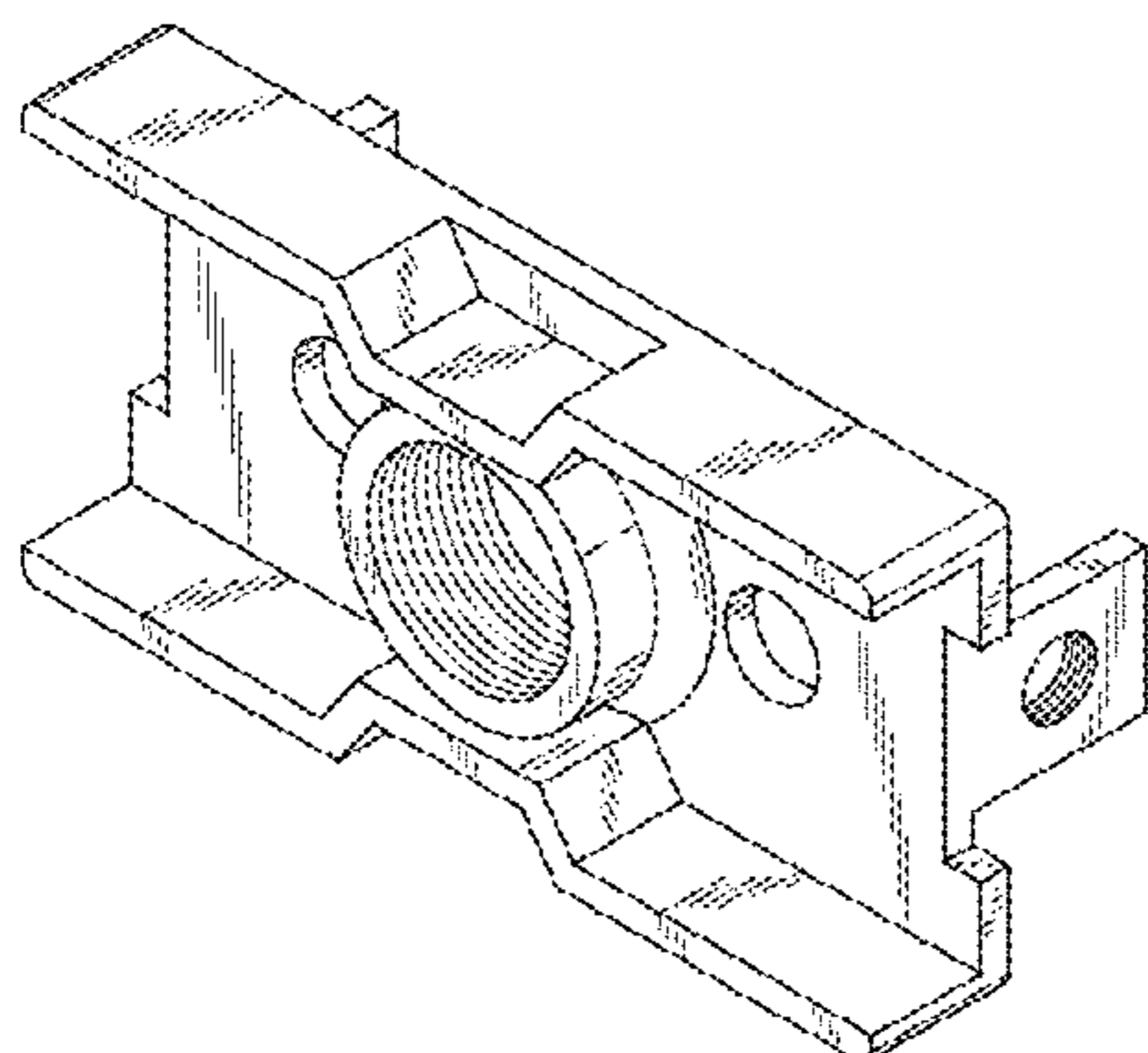
(57) **CLAIM**

The ornamental design for a mounting bracket, as shown.

**DESCRIPTION**

FIG. 1 is a perspective view of a mounting bracket according to a first embodiment of the present design;  
 FIG. 2 is a front view thereof;  
 FIG. 3 is a rear view thereof;  
 FIG. 4 is a left side view thereof;  
 FIG. 5 is a right side view thereof;  
 FIG. 6 is a top view thereof;  
 FIG. 7 is a bottom view thereof;  
 FIG. 8 is another perspective view of the first embodiment of the present design;  
 FIG. 9 is a perspective view of the mounting bracket according to a second embodiment of the present design;  
 FIG. 10 is a front view thereof;  
 FIG. 11 is a rear view thereof;  
 FIG. 12 is a left side view thereof;  
 FIG. 13 is a right side view thereof;  
 FIG. 14 is a top view thereof;  
 FIG. 15 is a bottom view thereof; and,  
 FIG. 16 is another perspective view of the second embodiment of the present design.

**1 Claim, 8 Drawing Sheets**



(58) **Field of Classification Search**

CPC ..... 12/44; F16B 12/46; F16B 5/0614; F16B  
12/02; F16B 12/685; E04B 1/2616; E04B  
2001/2415; E04B 1/5818; E04B 1/5831;  
A47B 88/0055; E04F 11/1812; F16L  
1/0246; A01G 9/024; A01G 25/14; A01G  
27/001; A01G 9/042; A01G 27/005;  
A01G 31/001; A01G 9/02; A01G 9/083;  
A01G 9/12

See application file for complete search history.

(56) **References Cited**

U.S. PATENT DOCUMENTS

D556,017	S	*	11/2007	Hutter, III	.....	D8/354
D564,868	S	*	3/2008	Terada	.....	D8/382
D569,237	S	*	5/2008	Wu	.....	D8/367
D615,847	S	*	5/2010	Tezak	.....	D8/349
D622,131	S	*	8/2010	Tezak	.....	D8/349
8,308,038	B2	*	11/2012	Tanaka	.....	B25C 7/00 227/119
D757,520	S	*	5/2016	Pratt	.....	D8/349
D772,046	S	*	11/2016	McCoy	.....	D8/354
D772,049	S	*	11/2016	McCoy	.....	D8/354
D772,050	S	*	11/2016	McCoy	.....	D8/354
D789,181	S	*	6/2017	Webb	.....	D8/354

\* cited by examiner

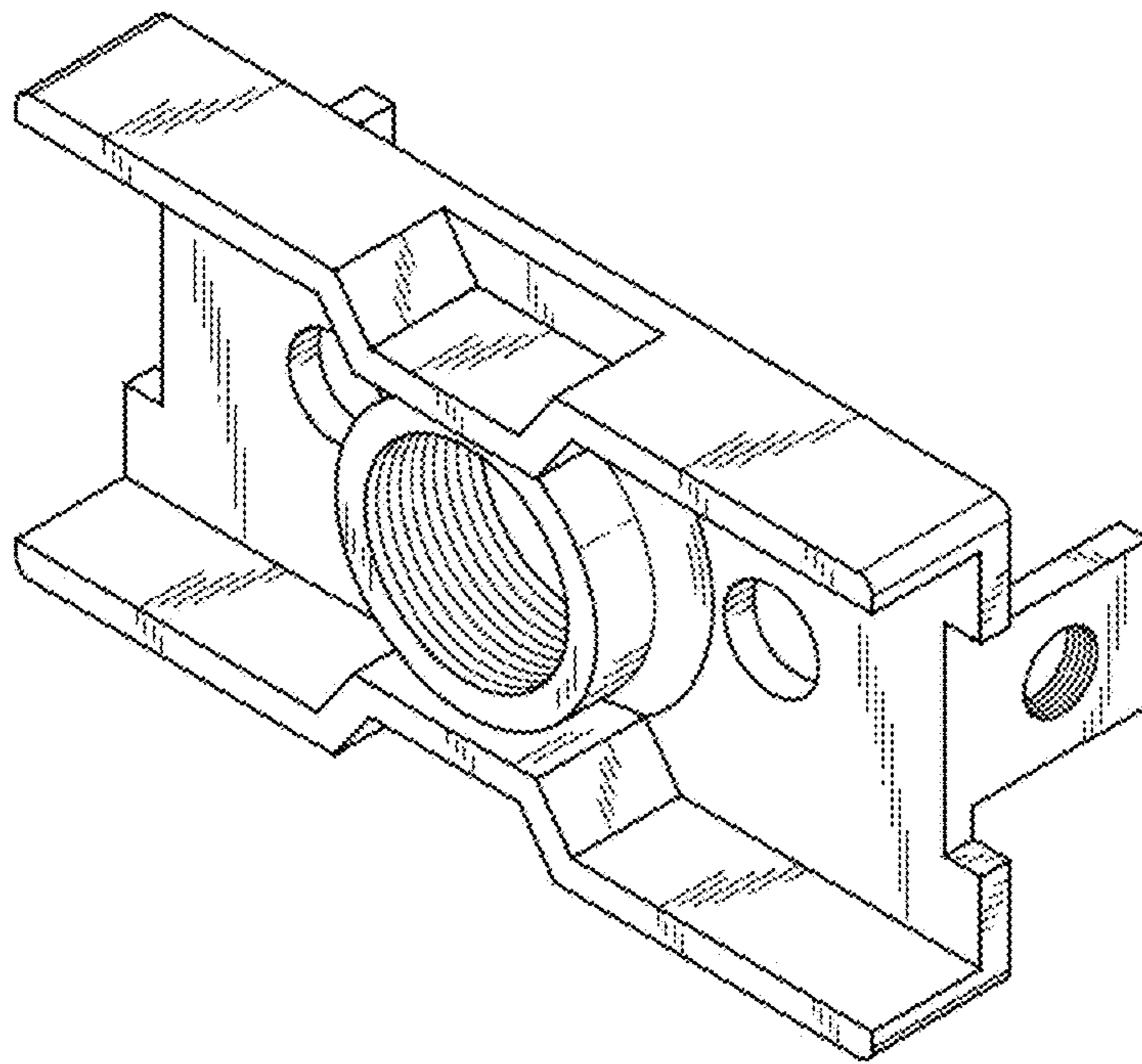


FIG. 1

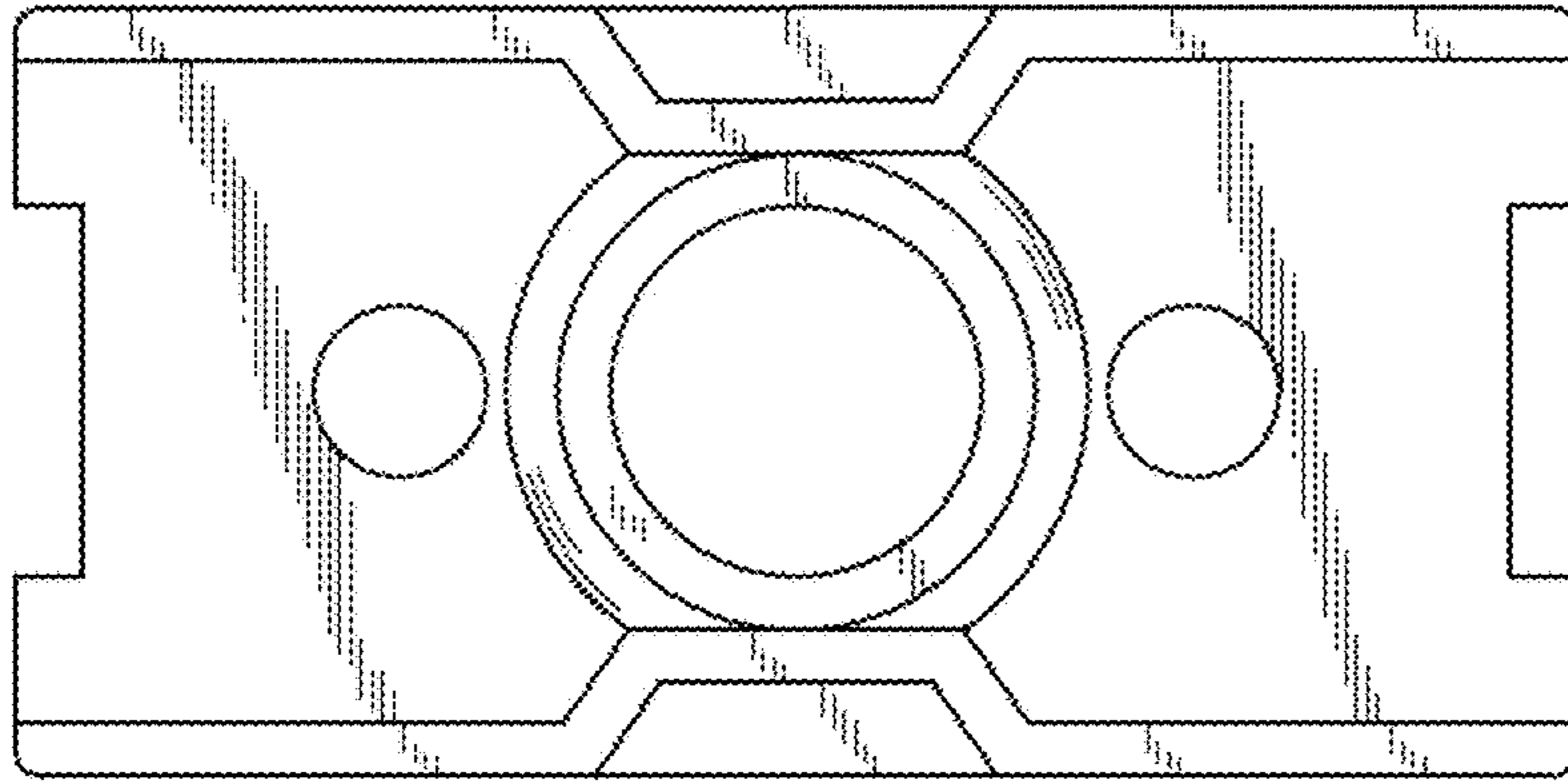


FIG. 2

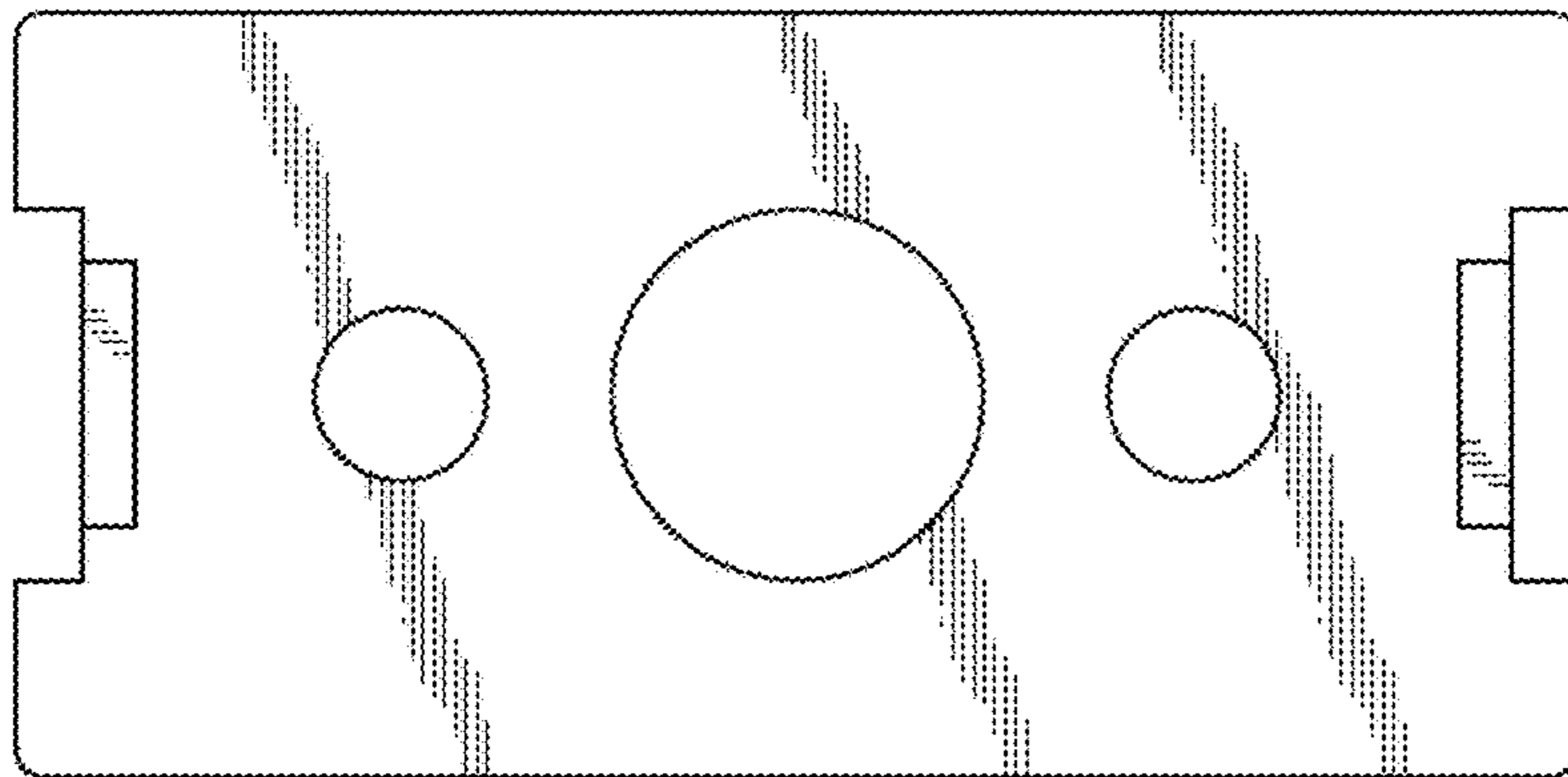


FIG. 3

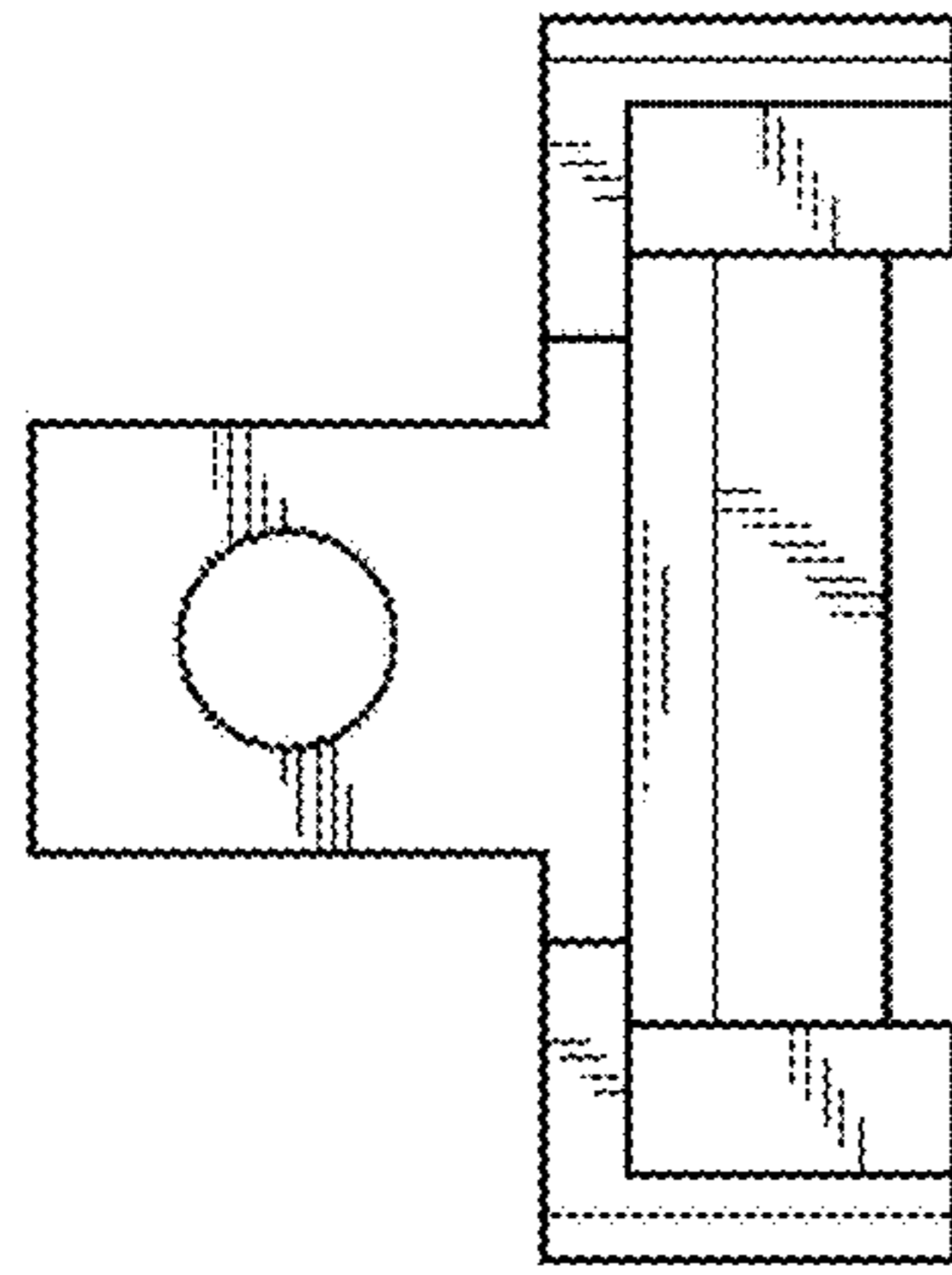


FIG. 4

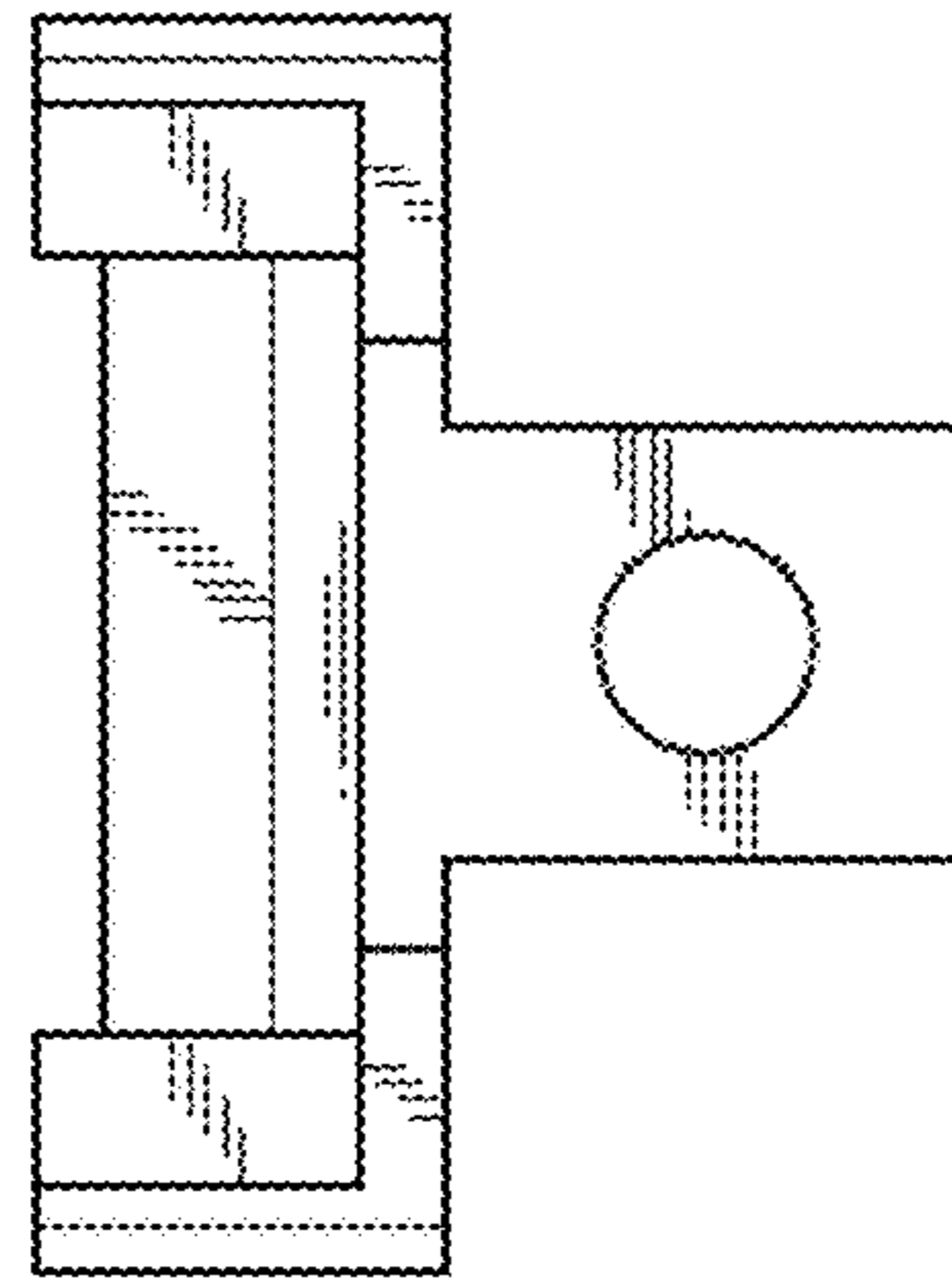


FIG. 5

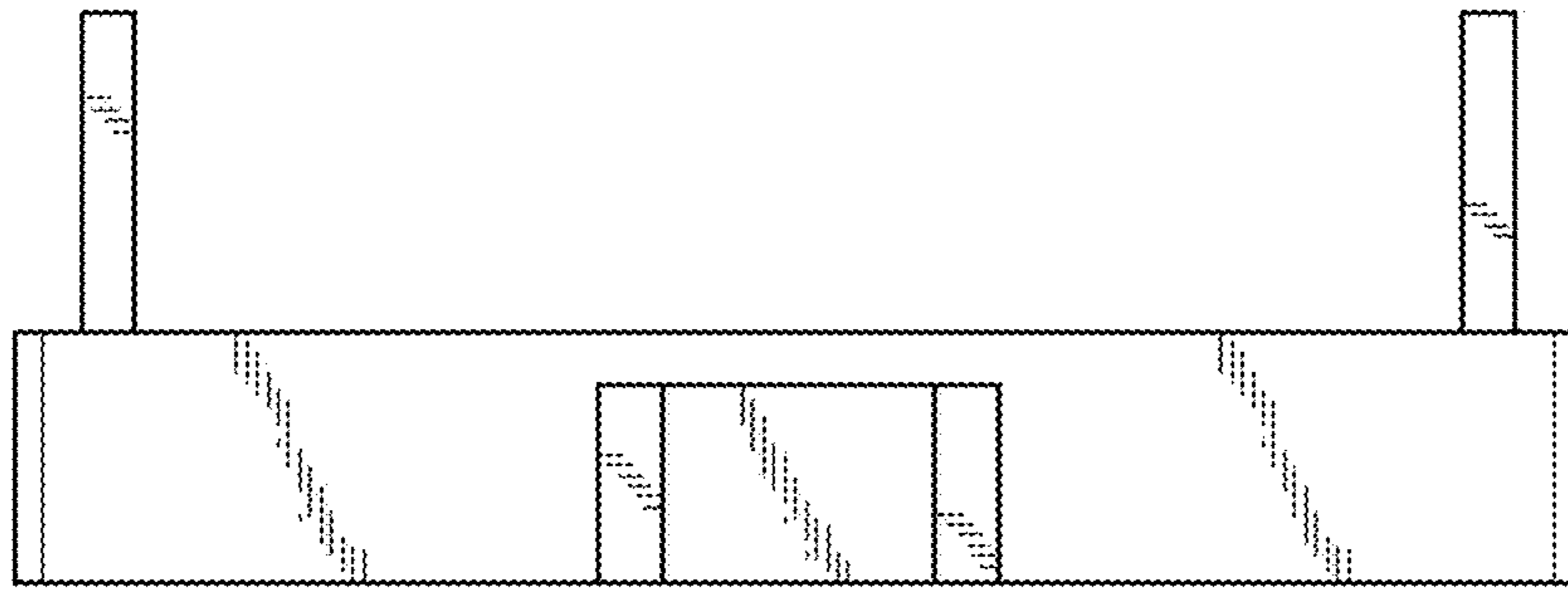


FIG. 6

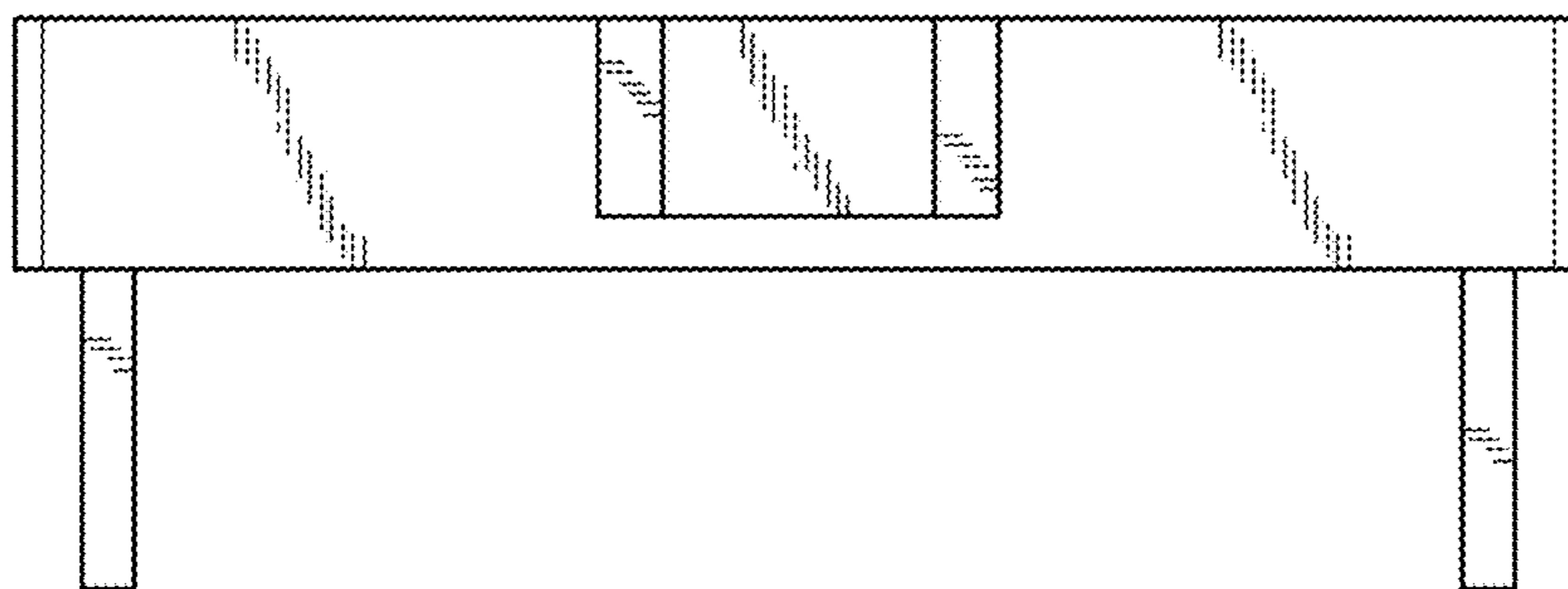


FIG. 7

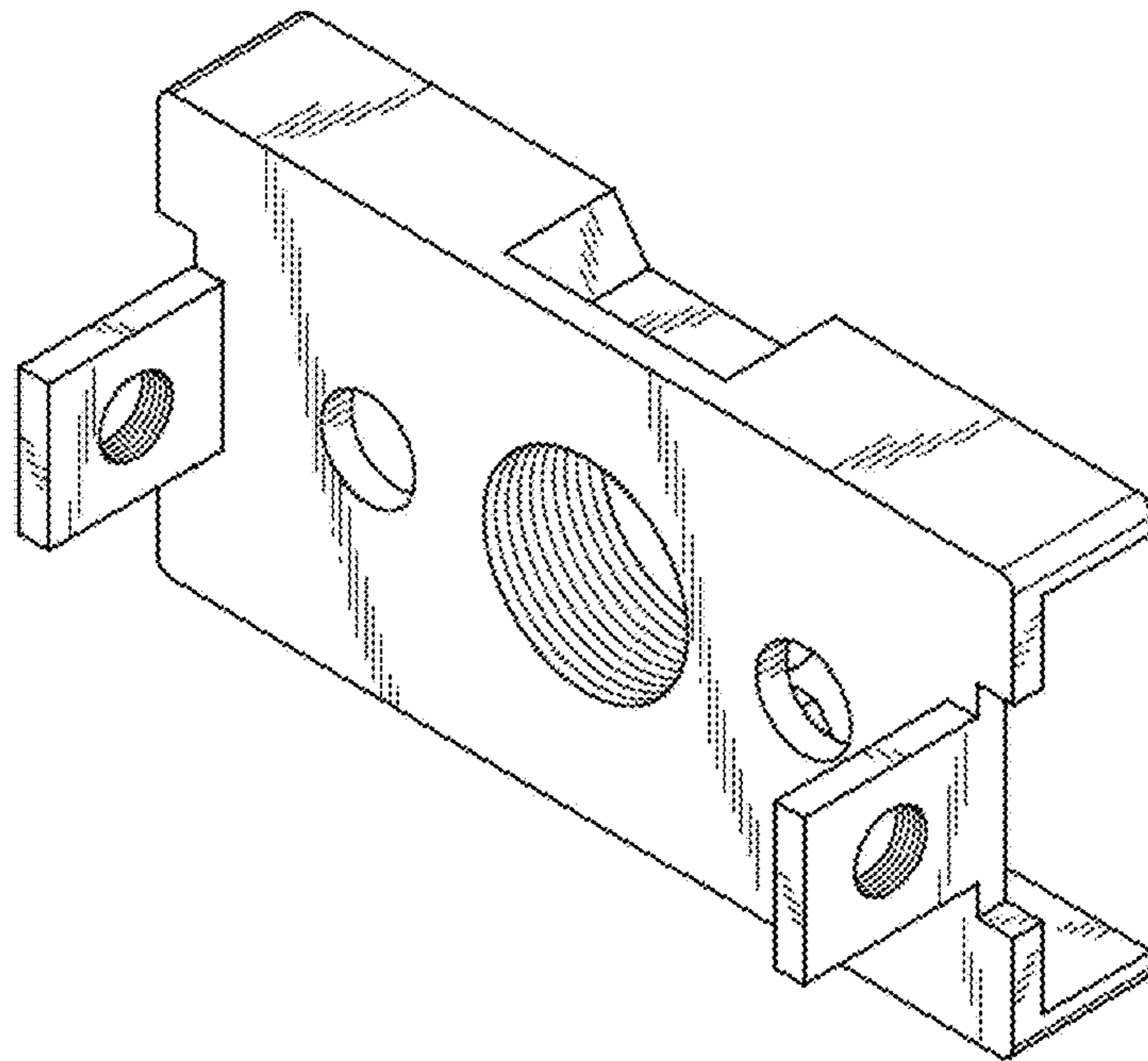


FIG. 8

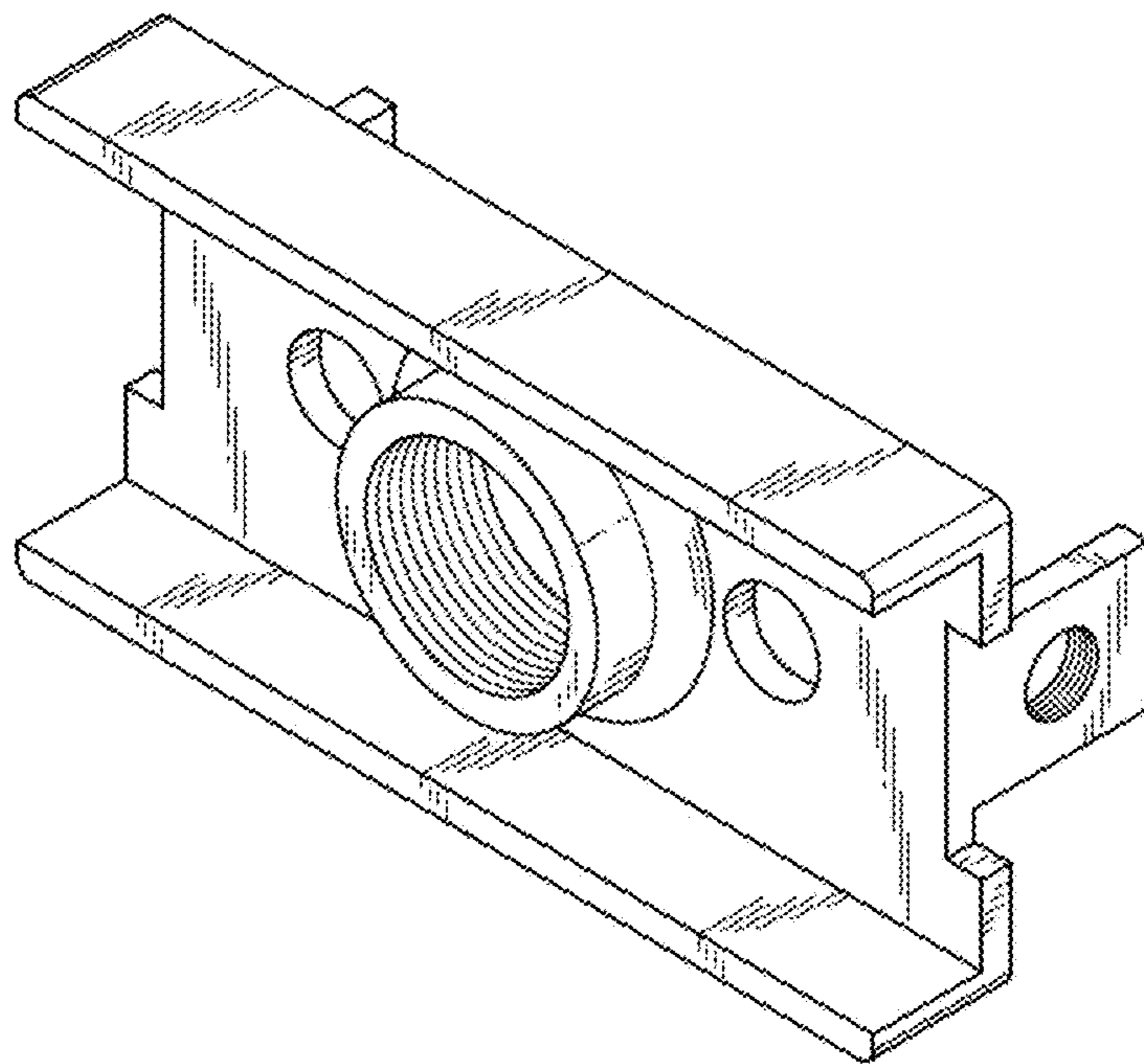


FIG. 9

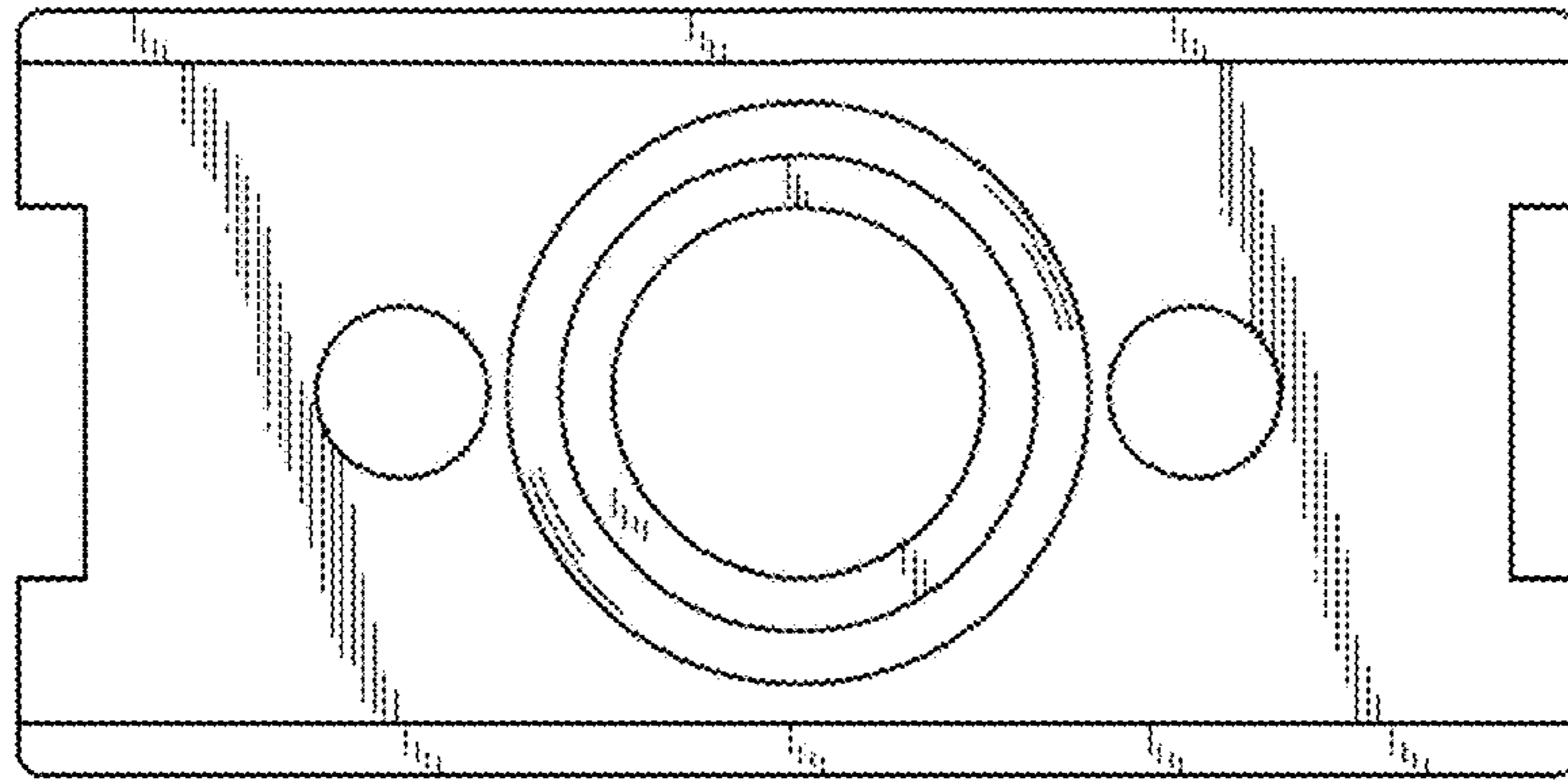


FIG. 10

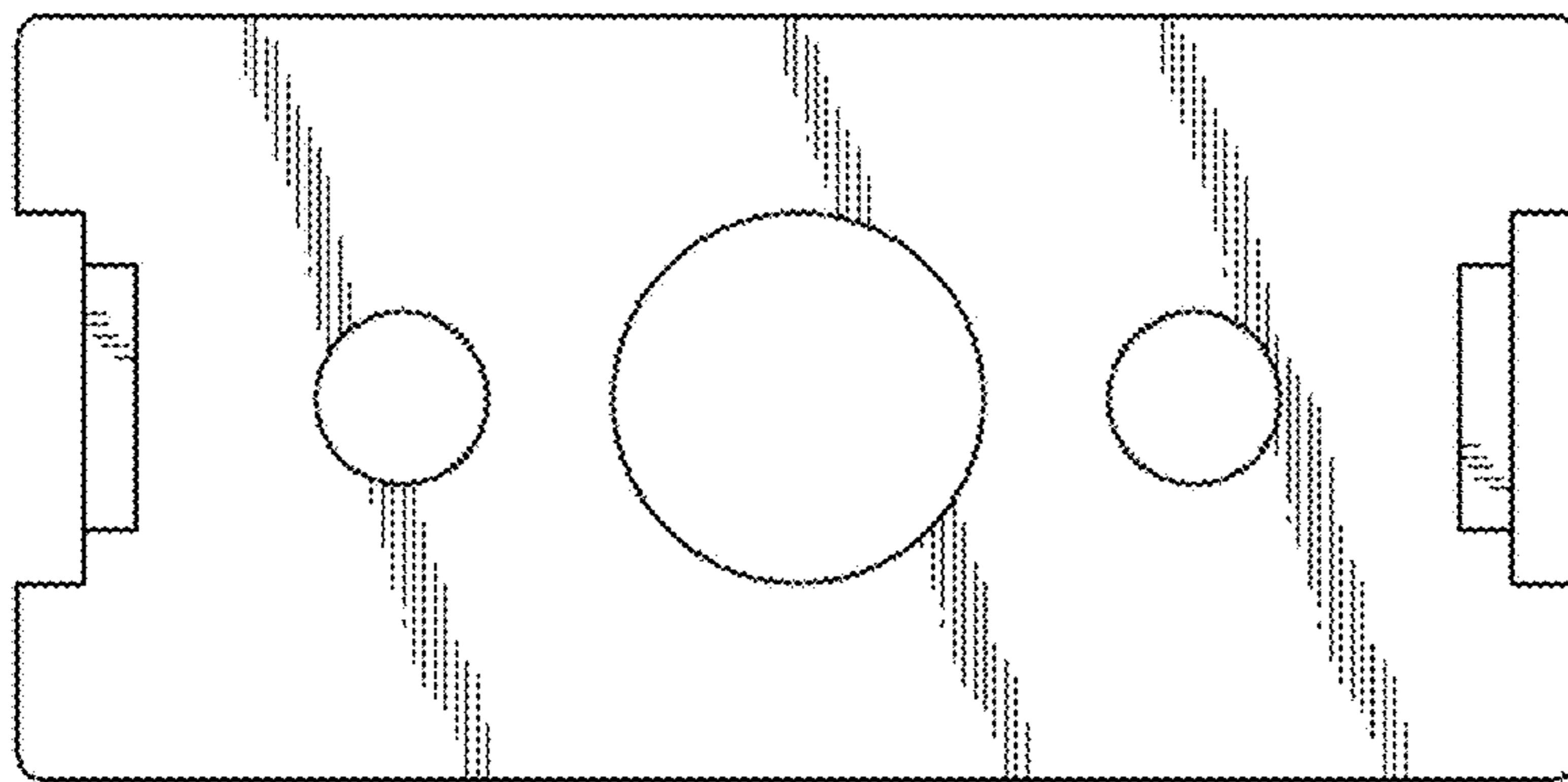


FIG. 11



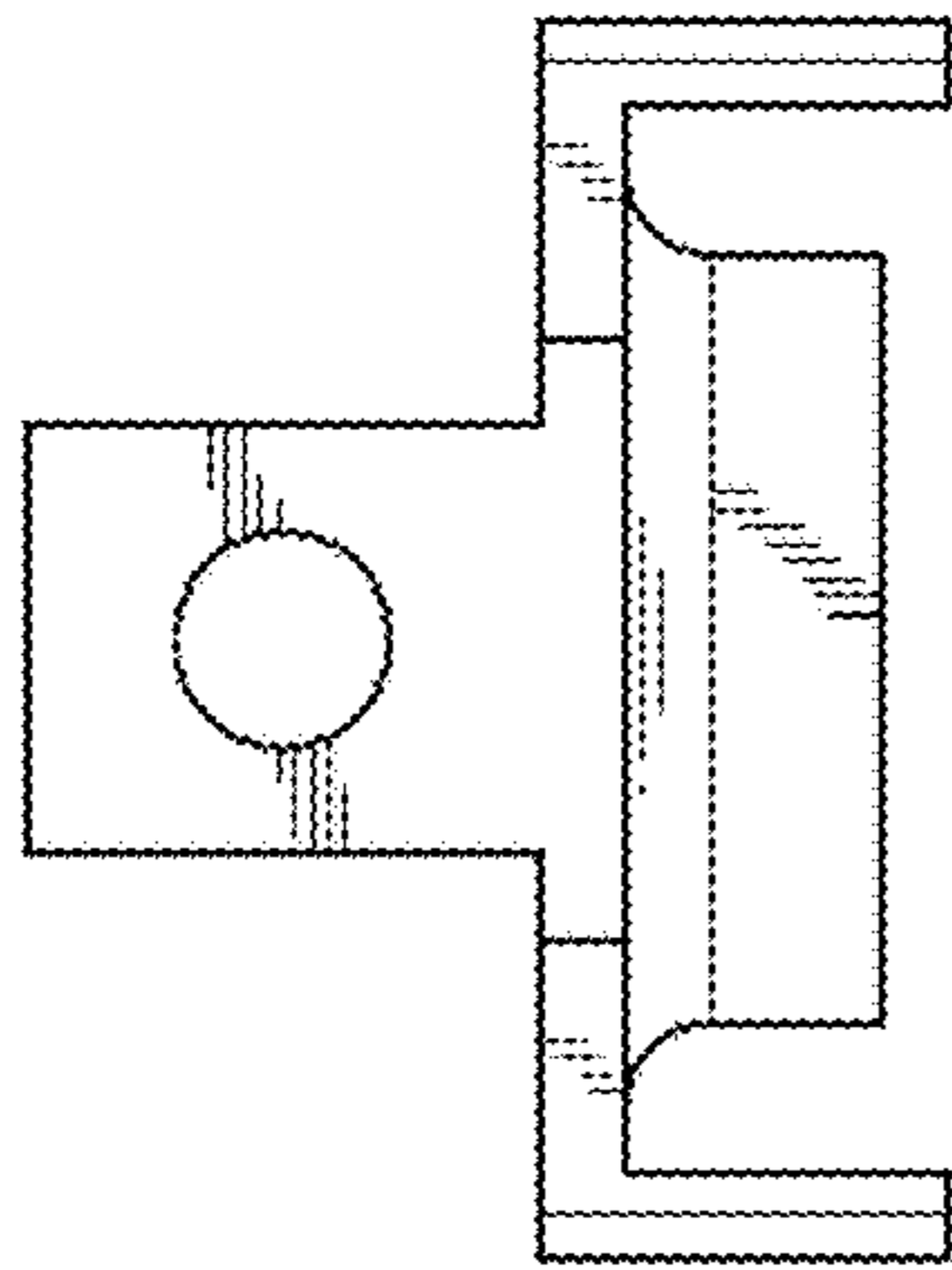


FIG. 12

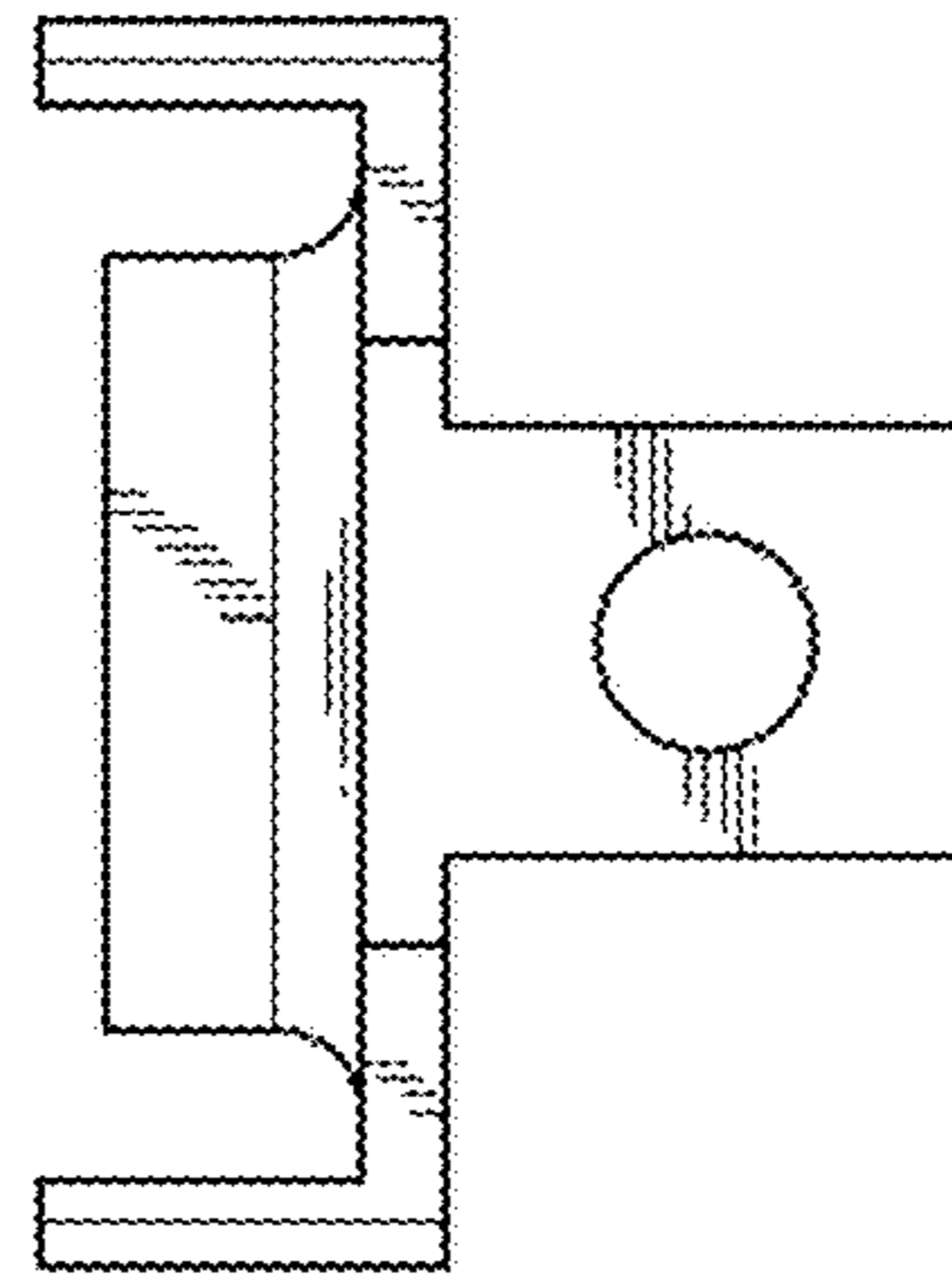


FIG. 13

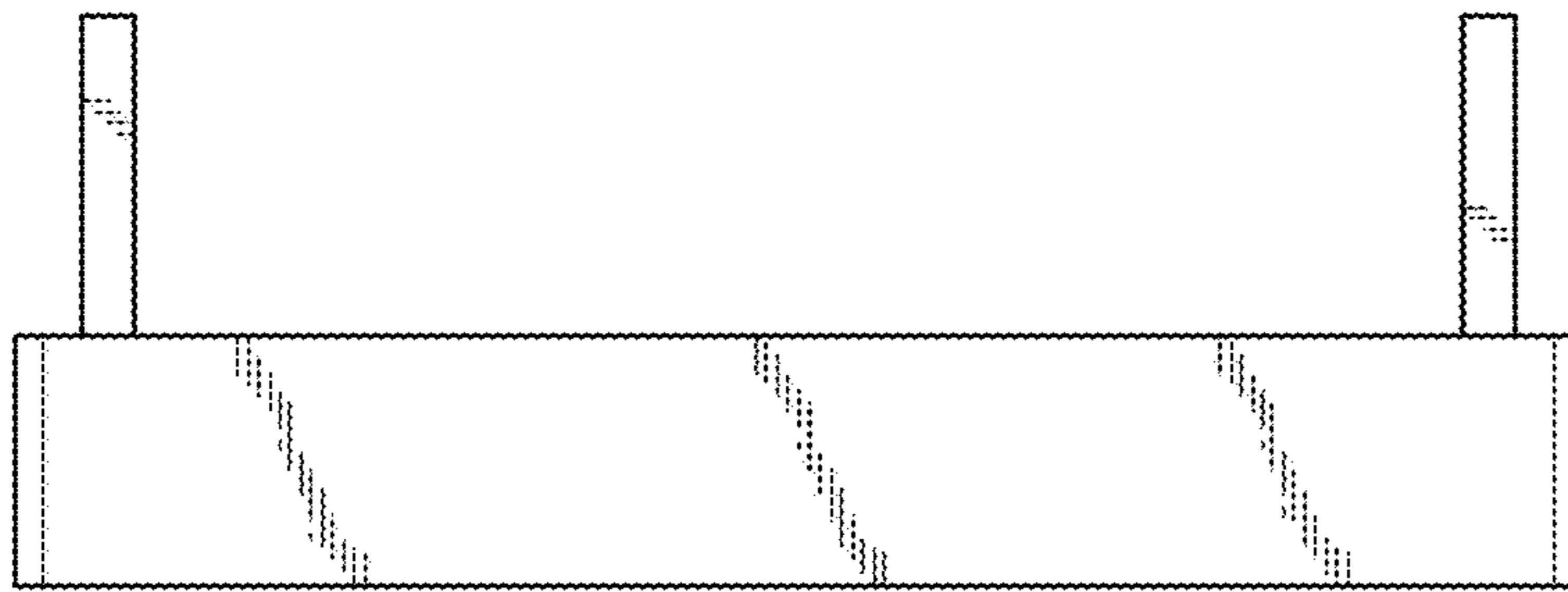


FIG. 14

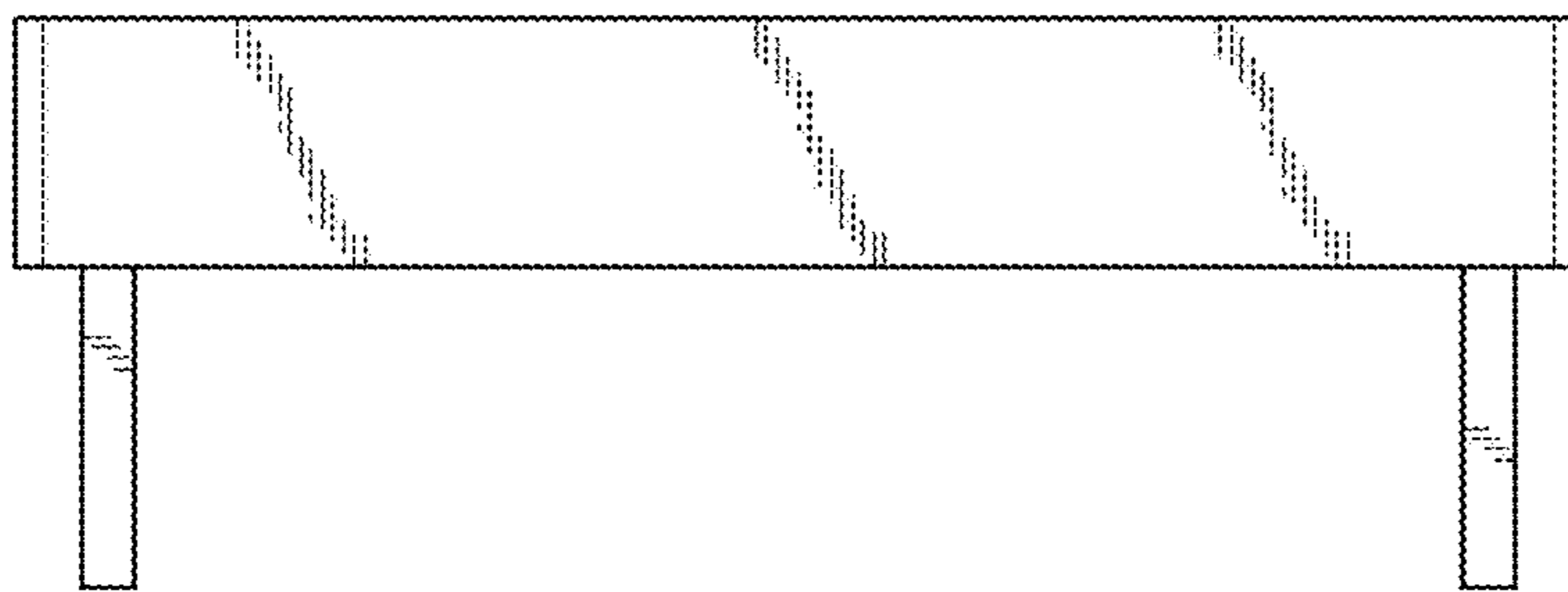


FIG. 15

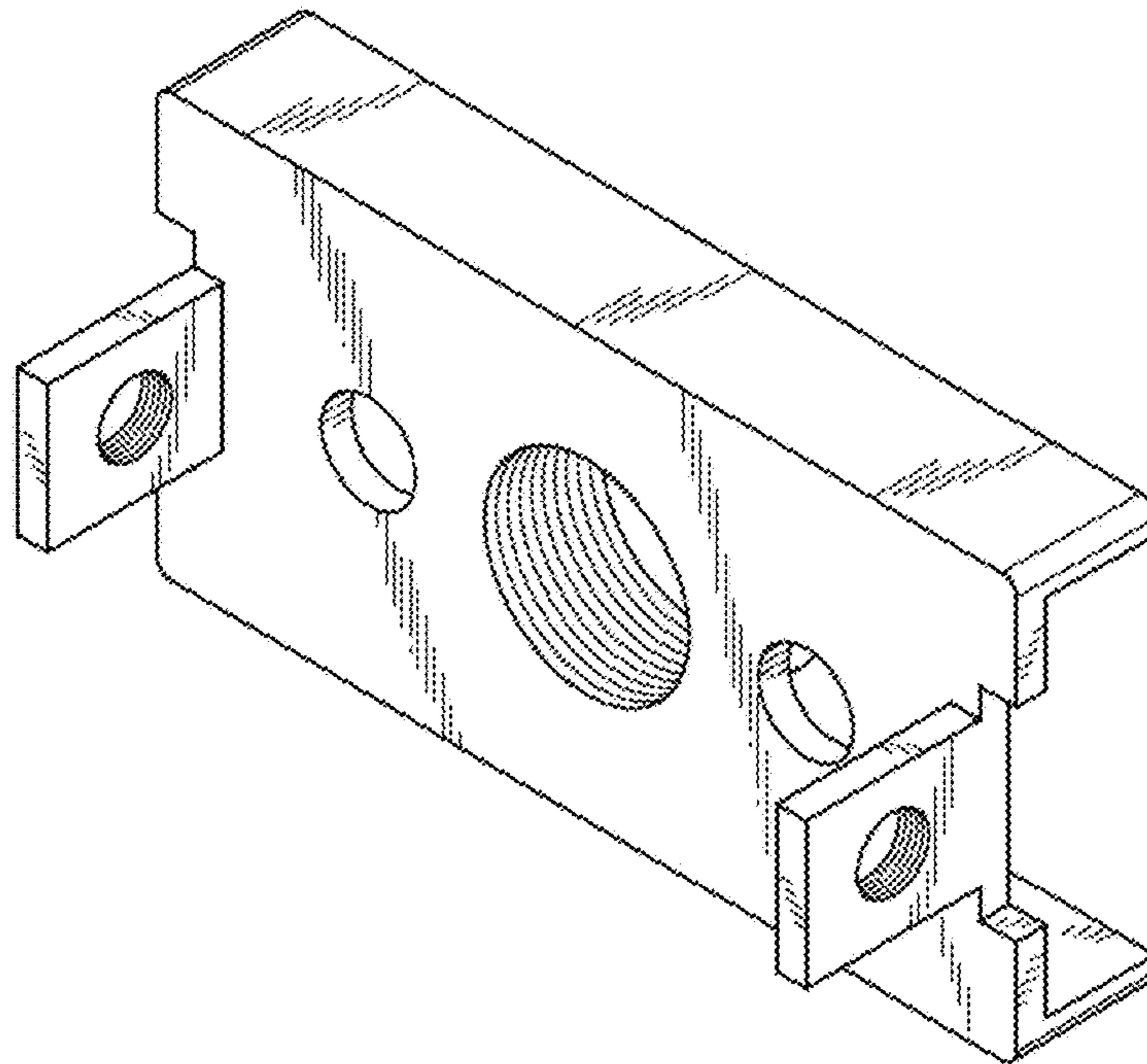


FIG. 16