



US00D850891S

(12) **United States Design Patent** (10) **Patent No.:** **US D850,891 S**
Rawls-Meehan et al. (45) **Date of Patent:** **** Jun. 11, 2019**

(54) **DRIVE ARM FOR HEAD FRAME OF AN ADJUSTABLE BED**

(71) Applicant: **ASCION, LLC**, Bloomfield Hills, MI (US)

(72) Inventors: **Martin B. Rawls-Meehan**, Franklin, MI (US); **Robert A. Rizzitano**, Canton, MA (US)

(73) Assignee: **ASCION, LLC**, Bloomfield Hills, MI (US)

(**) Term: **15 Years**

(21) Appl. No.: **29/537,644**

(22) Filed: **Aug. 27, 2015**

Related U.S. Application Data

(63) Continuation of application No. 13/830,796, filed on Mar. 14, 2013, now Pat. No. 9,173,794, which is a continuation-in-part of application No. 13/750,934, filed on Jan. 25, 2013, now Pat. No. 9,173,793, which is a continuation-in-part of application No. 12/702,405, filed on Feb. 9, 2010, now abandoned.

(51) **LOC (11) Cl.** **08-05**

(52) **U.S. Cl.**
USPC **D8/355**

(58) **Field of Classification Search**
USPC D8/349, 354, 355
CPC .. A47F 5/00; A47H 1/10; A47G 29/00; A47G 29/08; A47B 97/00; A47B 47/00

See application file for complete search history.

(56) **References Cited**

U.S. PATENT DOCUMENTS

| | | | | | | |
|--------------|----|---|--------|----------|-------|-----------------------|
| D220,380 | S | * | 4/1971 | Hughes | | D8/323 |
| D260,852 | S | * | 9/1981 | Loeschen | | D8/381 |
| D611,801 | S | * | 3/2010 | Chustak | | D8/355 |
| D749,931 | S | * | 2/2016 | Oshima | | D8/323 |
| D752,417 | S | * | 3/2016 | Witting | | D8/354 |
| D785,438 | S | * | 5/2017 | Cooper | | D8/323 |
| 2014/0259526 | A1 | * | 9/2014 | Migli | | E05D 5/0276 16/231 |
| 2015/0191952 | A1 | * | 7/2015 | Pyo | | E05D 7/0407 16/239 |

* cited by examiner

Primary Examiner — Janice Hallmark

Assistant Examiner — Harold E Blackwell, II

(74) *Attorney, Agent, or Firm* — Dinsmore & Shohl LLP

(57) **CLAIM**

The ornamental design for a drive arm for head frame of an adjustable bed, as shown and described.

DESCRIPTION

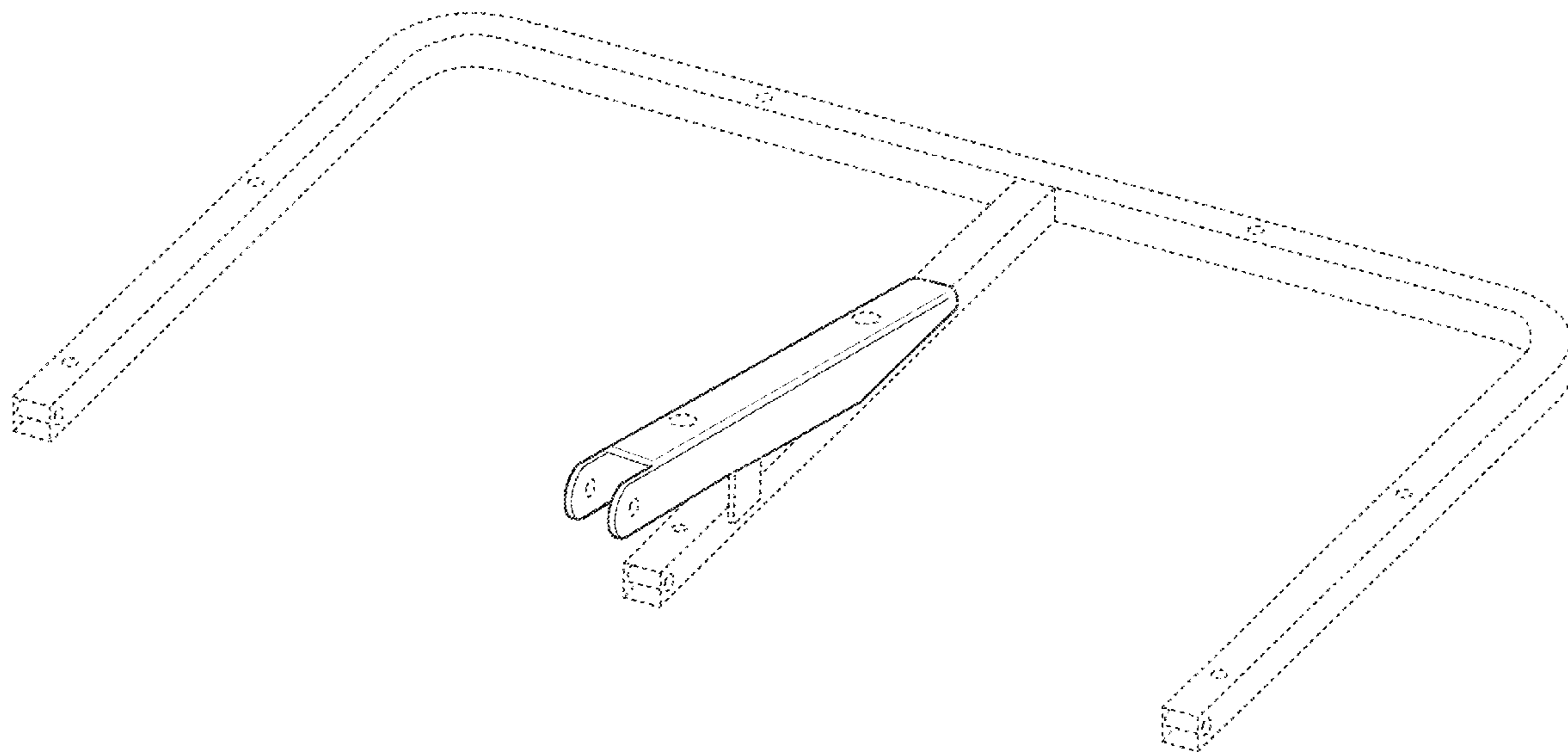
FIG. 1 is a perspective view of a drive arm for a head frame of an adjustable bed in accordance with the present invention;

FIG. 2 is a top view of the drive arm of FIG. 1;

FIG. 3 is a side view of the drive arm of FIGS. 1 and 2; and, FIG. 4 is an end view of the drive arm of FIGS. 1-3.

The dash-dash broken lines illustrate environmental subject matter only and the dash-dot-dash broken lines illustrate the boundaries of the claim. All broken lines form no part of the claimed design.

1 Claim, 2 Drawing Sheets



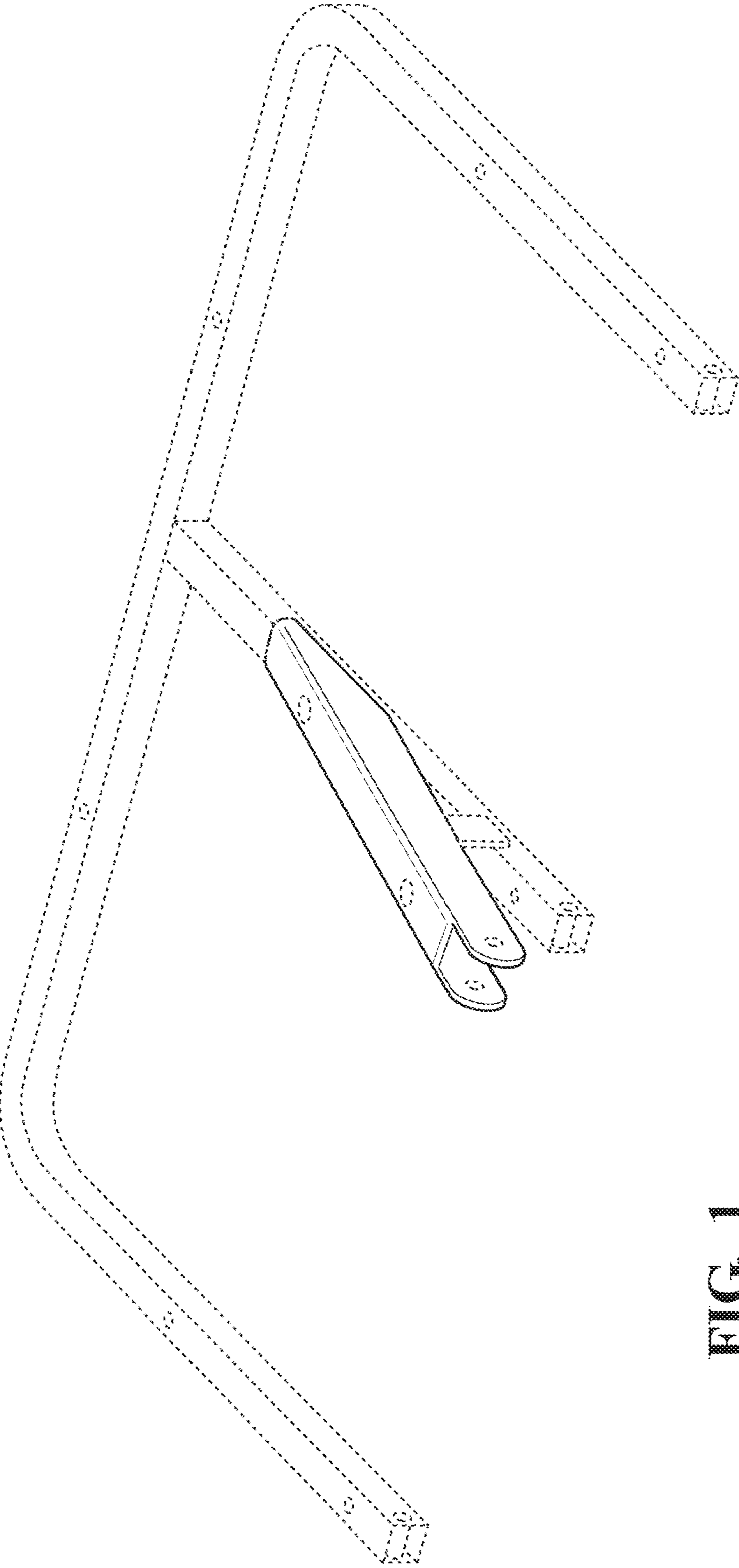


FIG. 1

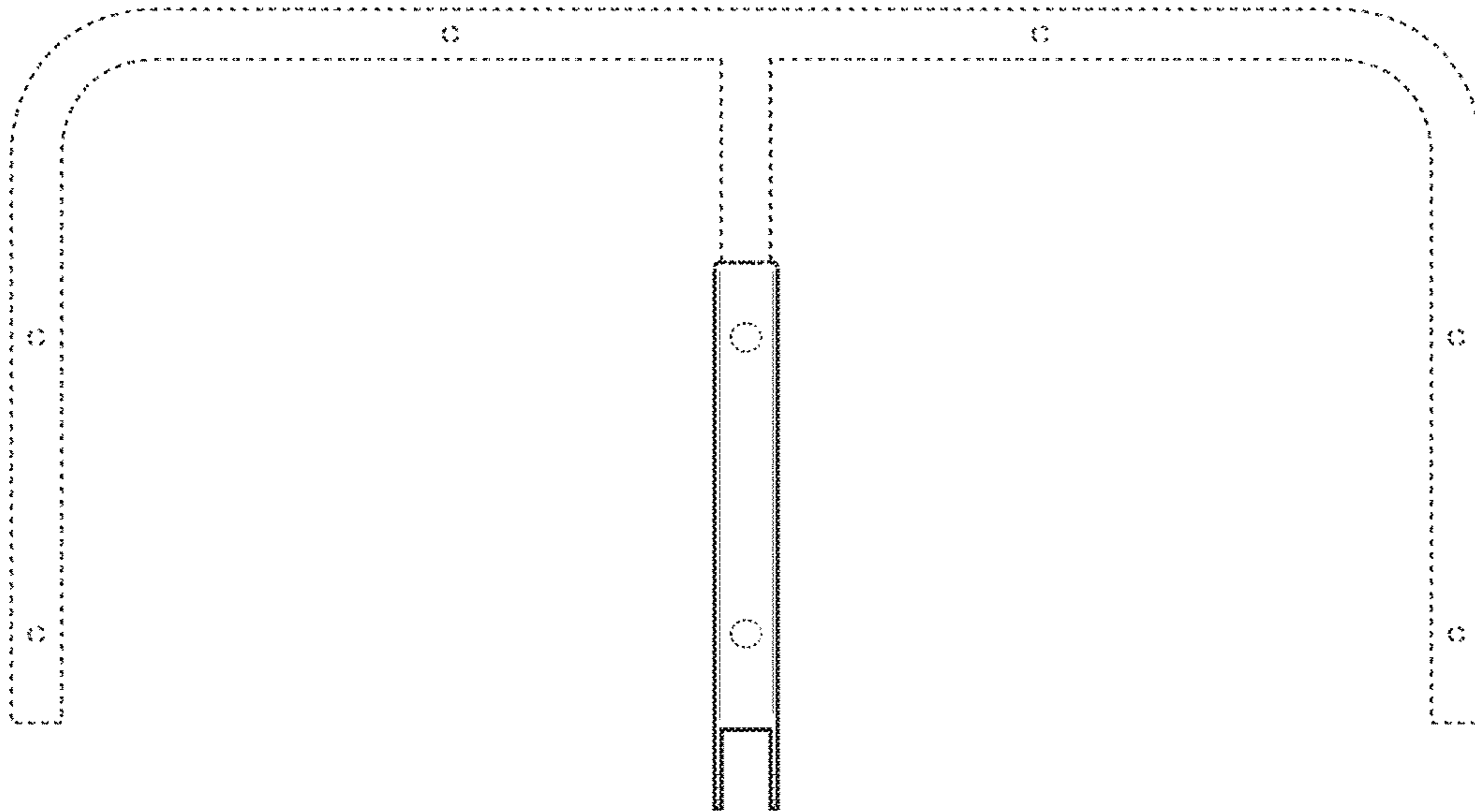


FIG. 2

FIG. 3

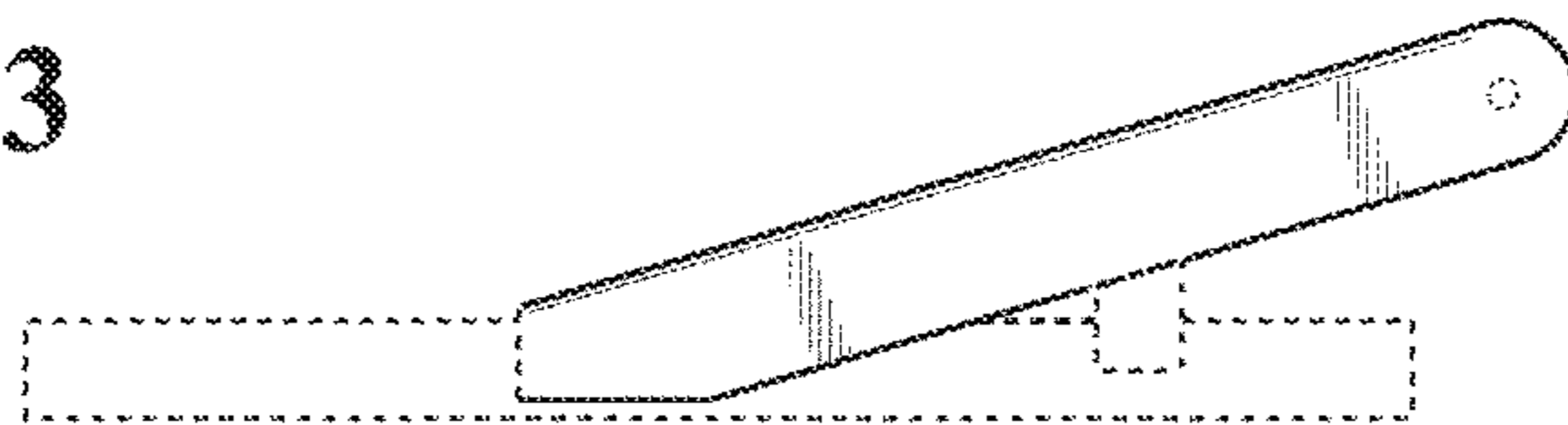


FIG. 4

