



US00D850890S

(12) **United States Design Patent**
Cole et al.

(10) **Patent No.:** **US D850,890 S**

(45) **Date of Patent:** **** Jun. 11, 2019**

(54) **RAIL FOR MOUNTING AN ENCLOSURE OF AN ELECTRONIC CONTROLLER**

(71) Applicant: **Sun Hydraulics, LLC**, Sarasota, FL (US)

(72) Inventors: **Chris Cole**, Spring Branch, TX (US); **Curt Rainbolt**, Broken Arrow, OK (US); **Jake Holloway**, Owasso, OK (US); **Lowell Bonner**, Broken Arrow, OK (US)

(73) Assignee: **Sun Hydraulics, LLC**, Sarasota, FL (US)

(**) Term: **15 Years**

(21) Appl. No.: **29/617,477**

(22) Filed: **Sep. 14, 2017**

(51) **LOC (11) Cl.** **08-05**

(52) **U.S. Cl.**
USPC **D8/354**

(58) **Field of Classification Search**
USPC D23/249; D8/354, 16, 499, 396, 366, D8/380, 382, 349, 394, 373, 381; D6/702; 48/200, 300, 27.1; D25/61, D25/133, 134, 199; D22/110; 42/124; D12/223
CPC E04B 2001/2415; E04B 2001/2439; E04B 2001/405
See application file for complete search history.

(56) **References Cited**

U.S. PATENT DOCUMENTS

D398,835 S * 9/1998 Coll D8/354
D507,959 S * 8/2005 Mottini D8/354

D543,447 S * 5/2007 Allsopp D8/394
D556,015 S * 11/2007 Muchnik D8/349
D561,563 S * 2/2008 Hoffner D8/354
D743,184 S * 11/2015 Lin D6/581
D752,954 S * 4/2016 Lax D8/354
D760,066 S * 6/2016 Krenek D8/354
D767,370 S * 9/2016 Yato D8/354
D829,079 S * 9/2018 Halling D8/349
D839,078 S * 1/2019 Stahl D8/349
D839,995 S * 2/2019 Cole D23/249

* cited by examiner

Primary Examiner — Cynthia Ramirez

Assistant Examiner — Gino Colan

(74) *Attorney, Agent, or Firm* — McDonnell Boehnen Hulbert & Berghoff LLP

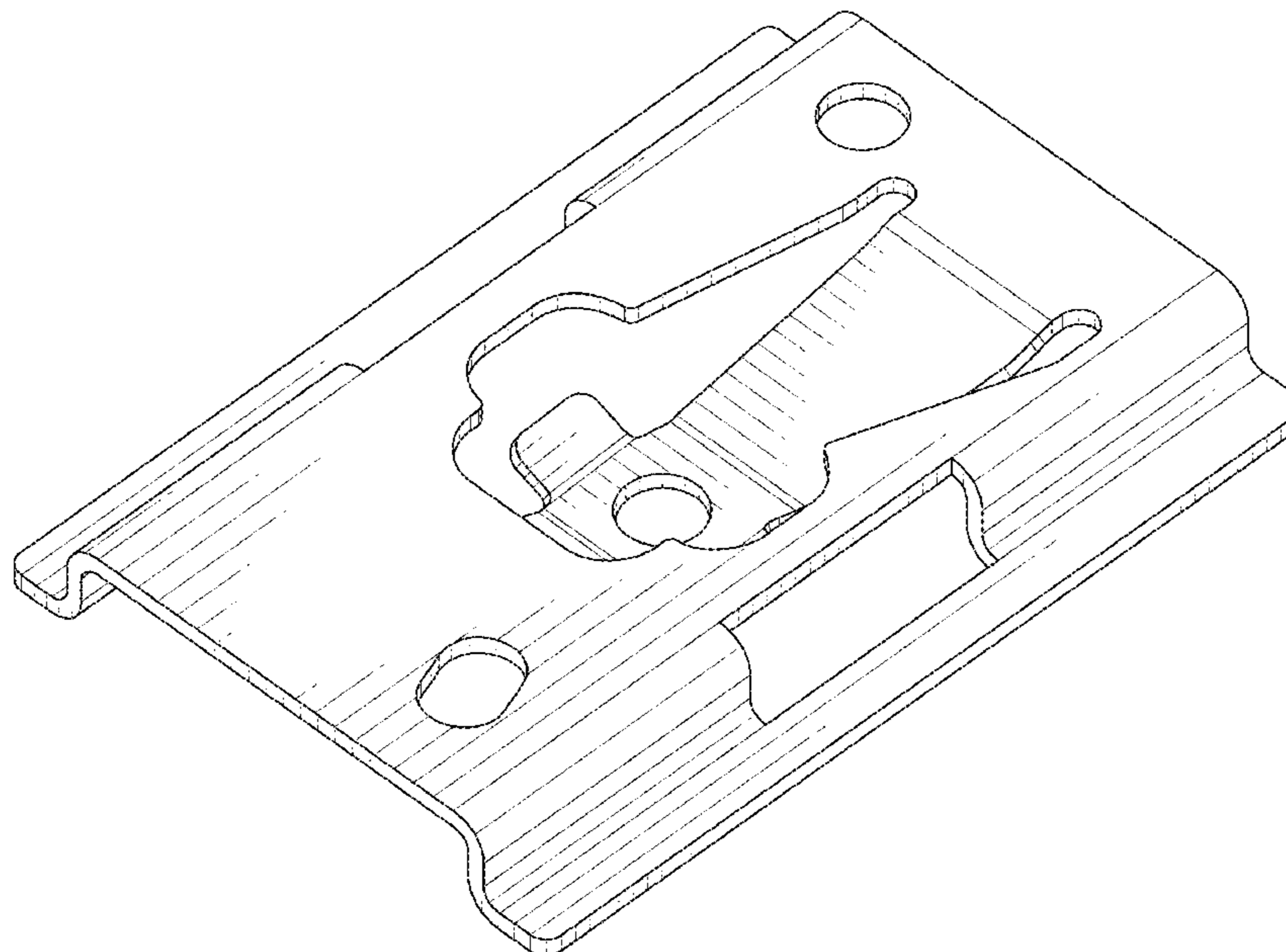
(57) **CLAIM**

The ornamental design for a rail for mounting an enclosure of an electronic controller, as shown and described.

DESCRIPTION

FIG. 1 is a downward perspective view from a left rear corner of a rail for mounting an enclosure of an electronic controller showing our new design;
FIG. 2 is an upward perspective view from a right rear corner thereof;
FIG. 3 is top plan view thereof;
FIG. 4 is bottom plan view thereof;
FIG. 5 is a front elevational view thereof, wherein a rear elevational view is a mirror image of the front elevational view;
FIG. 6 is a right side elevational view thereof; and,
FIG. 7 is a left side elevational view thereof.

1 Claim, 6 Drawing Sheets



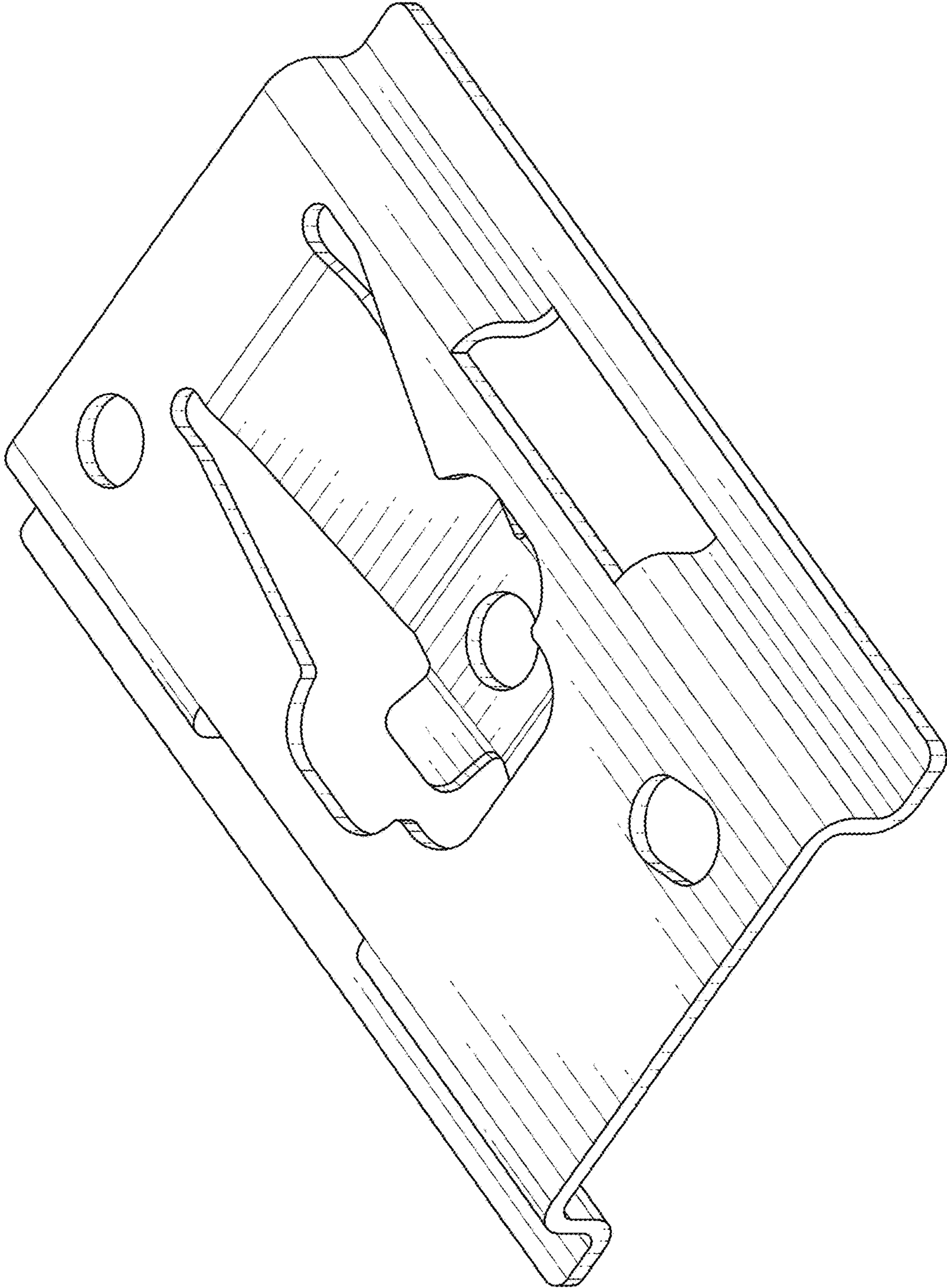


FIG. 1

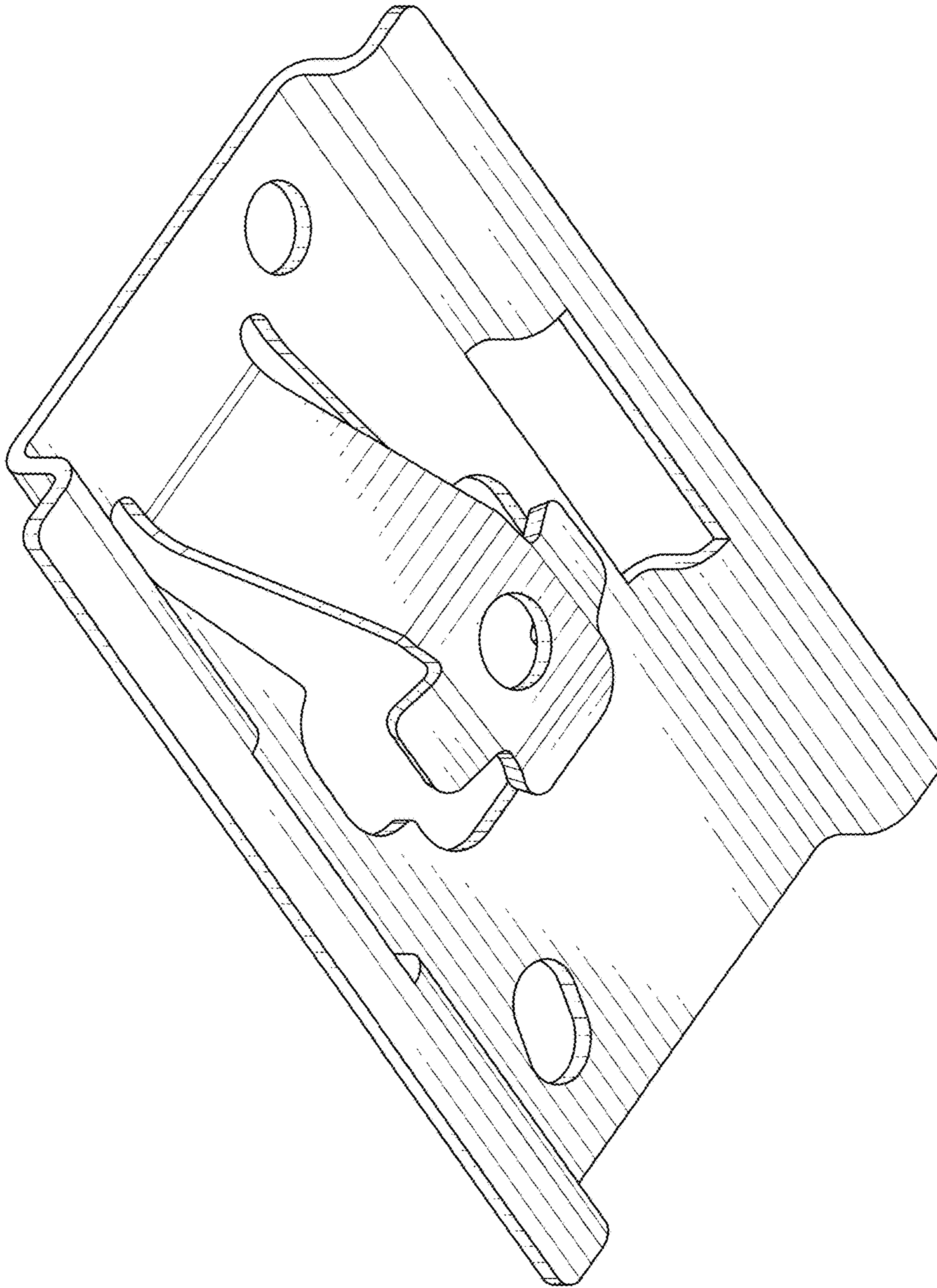


FIG. 2

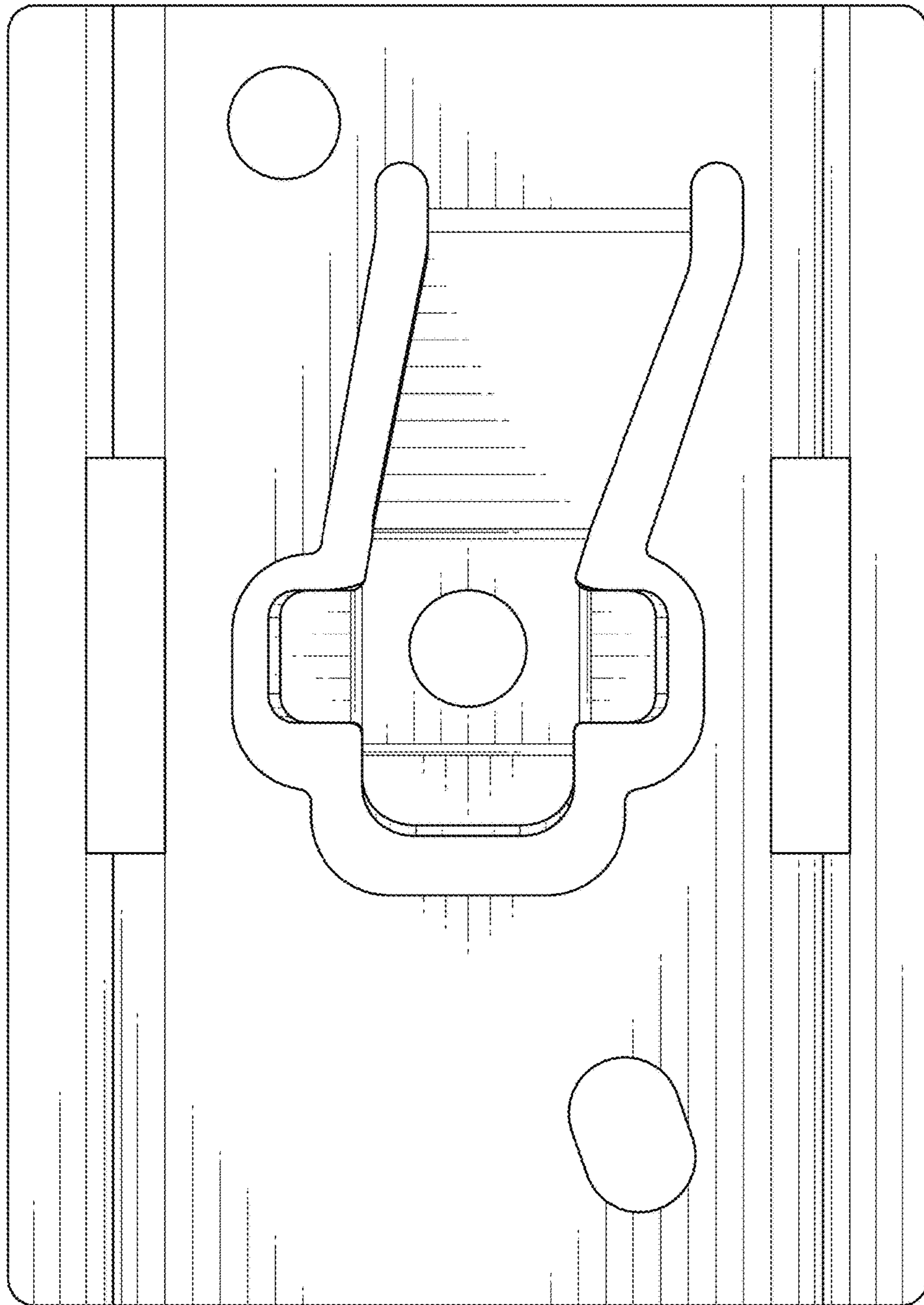


FIG. 3

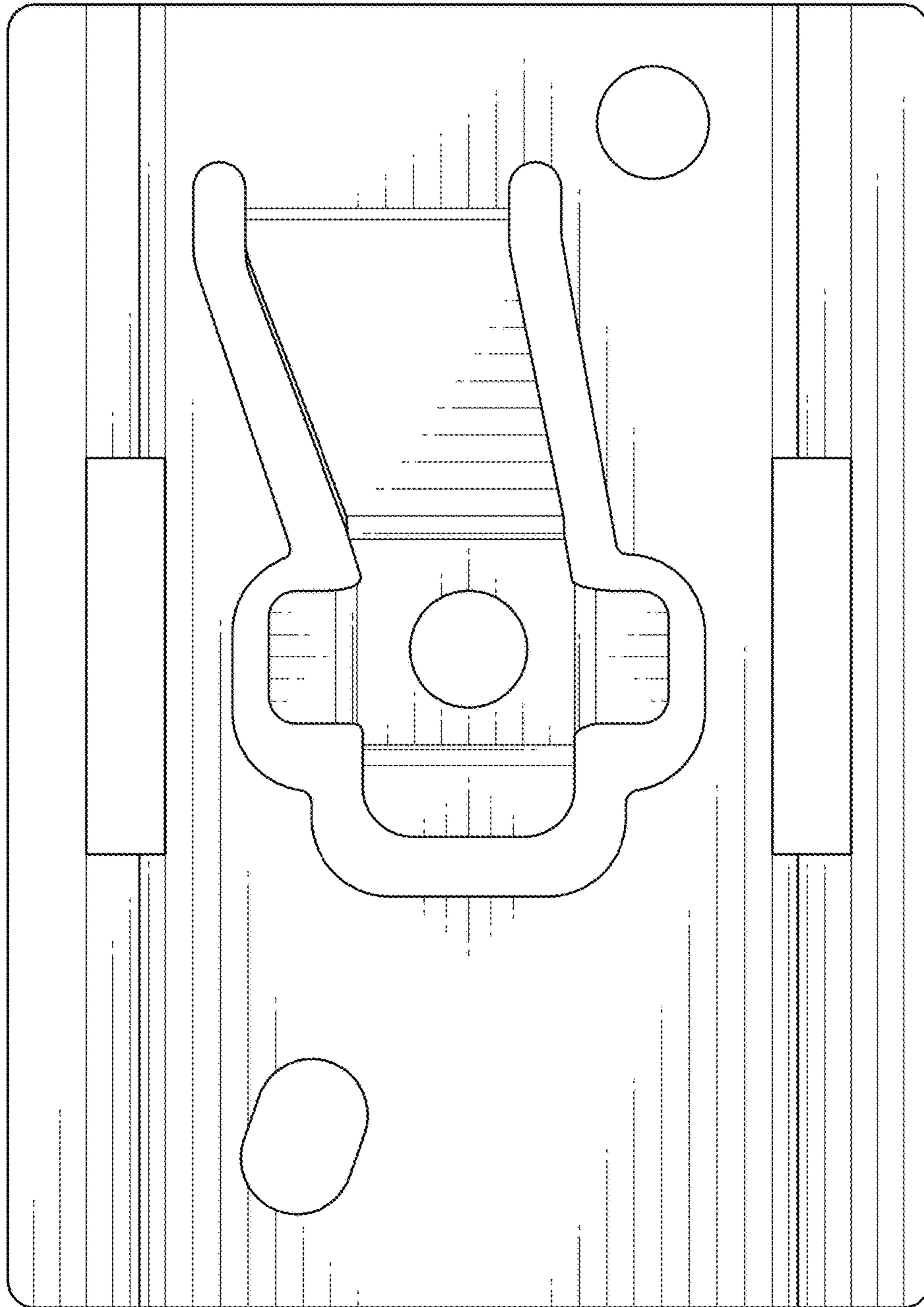


FIG. 4

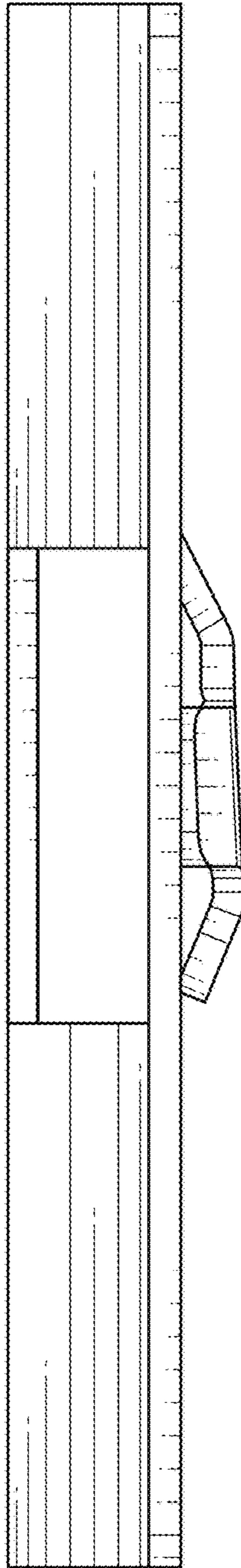


FIG. 5

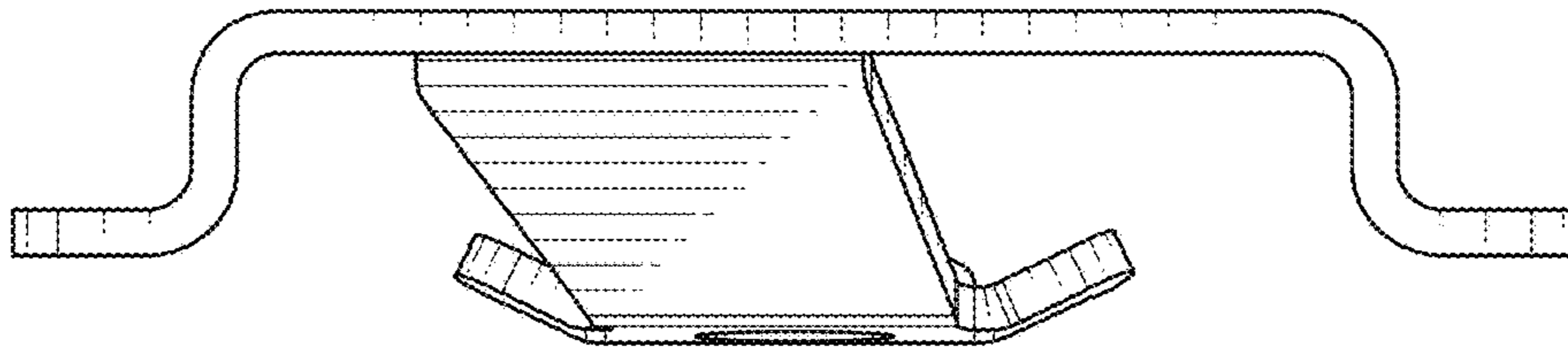


FIG. 6

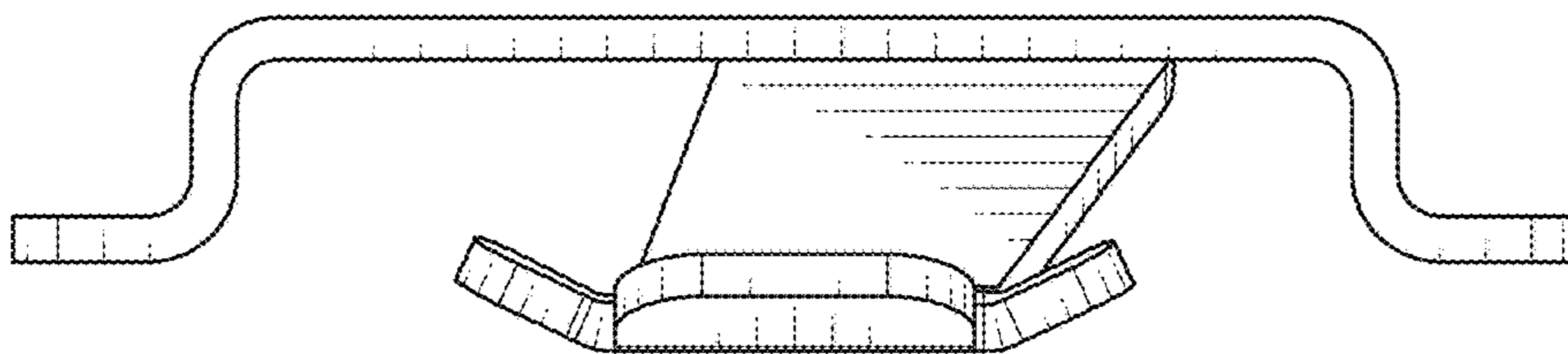


FIG. 7