



US00D850889S

(12) **United States Design Patent** (10) **Patent No.:** **US D850,889 S**  
**Esses** (45) **Date of Patent:** **\*\* Jun. 11, 2019**

(54) **MAGNETIC MOUNTING HEAD**  
(71) Applicant: **PREMIER ACCESSORY GROUP LLC**, Edison, NJ (US)

(72) Inventor: **Alfred Esses**, Brooklyn, NY (US)

(73) Assignee: **PREMIER ACCESSORY GROUP LLC**, Edison, NJ (US)

(\*\*) Term: **15 Years**

(21) Appl. No.: **29/640,570**

(22) Filed: **Mar. 15, 2018**

(51) **LOC (11) Cl.** ..... **08-08**

(52) **U.S. Cl.**  
USPC ..... **D8/349**

(58) **Field of Classification Search**  
USPC .... D6/672, 684, 680, 683.1, 703.5; D8/349, D8/354, 355, 330, 331, 333, 380, 382; D13/144, 154, 133, 129, 199; D22/125; D25/119, 164, 199, 139, 141; D26/138, D26/76, 78, 79, 80  
CPC .. F16C 2314/72; F16C 29/0623; F16C 29/06; F16C 29/0609; F16C 29/005; F16C 29/008; F16C 29/04; F16C 29/0657; F16C 29/004; F16C 29/12; A47B 1/10; A47B 88/493; A47B 88/423; A47B 2088/4235; B44C 5/02  
See application file for complete search history.

(56) **References Cited**

U.S. PATENT DOCUMENTS

D588,066 S \* 3/2009 Kettula ..... D13/108  
D592,142 S \* 5/2009 Kettula ..... D13/108  
D598,375 S \* 8/2009 Nomi ..... D13/108

D621,783 S \* 8/2010 Riede ..... D13/144  
D626,507 S \* 11/2010 Riede ..... D13/144  
D628,152 S \* 11/2010 Fujii ..... D13/108  
D628,153 S \* 11/2010 Fujii ..... D13/108  
D680,063 S \* 4/2013 Sasada ..... D13/103  
D708,131 S \* 7/2014 Miller ..... H02J 7/0042  
D13/108  
D732,512 S \* 6/2015 Fariello ..... D14/230  
D764,891 S \* 8/2016 Gokcebay ..... D8/330  
D768,572 S \* 10/2016 Xiao ..... D13/144  
D791,076 S \* 7/2017 Kim ..... D13/108  
D834,521 S \* 11/2018 Wang ..... D13/144  
D836,418 S \* 12/2018 Gokcebay ..... D8/331  
D838,246 S \* 1/2019 Miller ..... D13/144  
2016/0286294 A1 \* 9/2016 Schreiber ..... H04R 1/08

\* cited by examiner

*Primary Examiner* — Mark A Goodwin

*Assistant Examiner* — Benjamin M Weeks

(74) *Attorney, Agent, or Firm* — Gottlieb, Rackman & Reisman, P.C.

(57) **CLAIM**

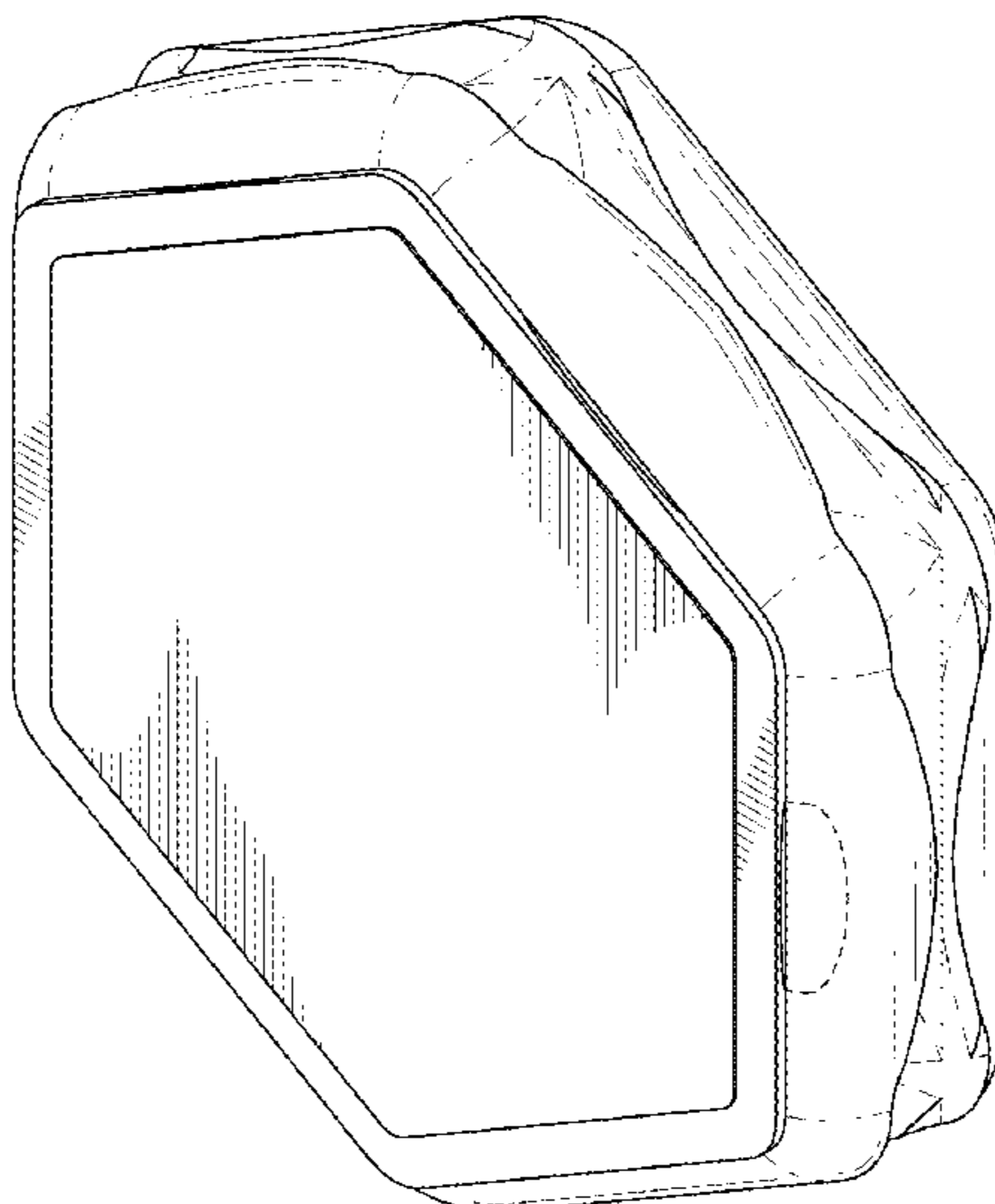
The ornamental design for a magnetic mounting head, as shown and described.

**DESCRIPTION**

FIG. 1 is a perspective view showing my new design; FIG. 2 is a front elevational view thereof; FIG. 3 is a rear elevational view thereof; FIG. 4 is left side elevational view thereof; FIG. 5 is a right side elevational view thereof; FIG. 6 is a top plan view thereof; and, FIG. 7 is a bottom plan view thereof.

The broken lines shown in the drawings are included for the purpose of illustrating portions of the magnetic mounting head that form no part of the claimed design.

**1 Claim, 6 Drawing Sheets**



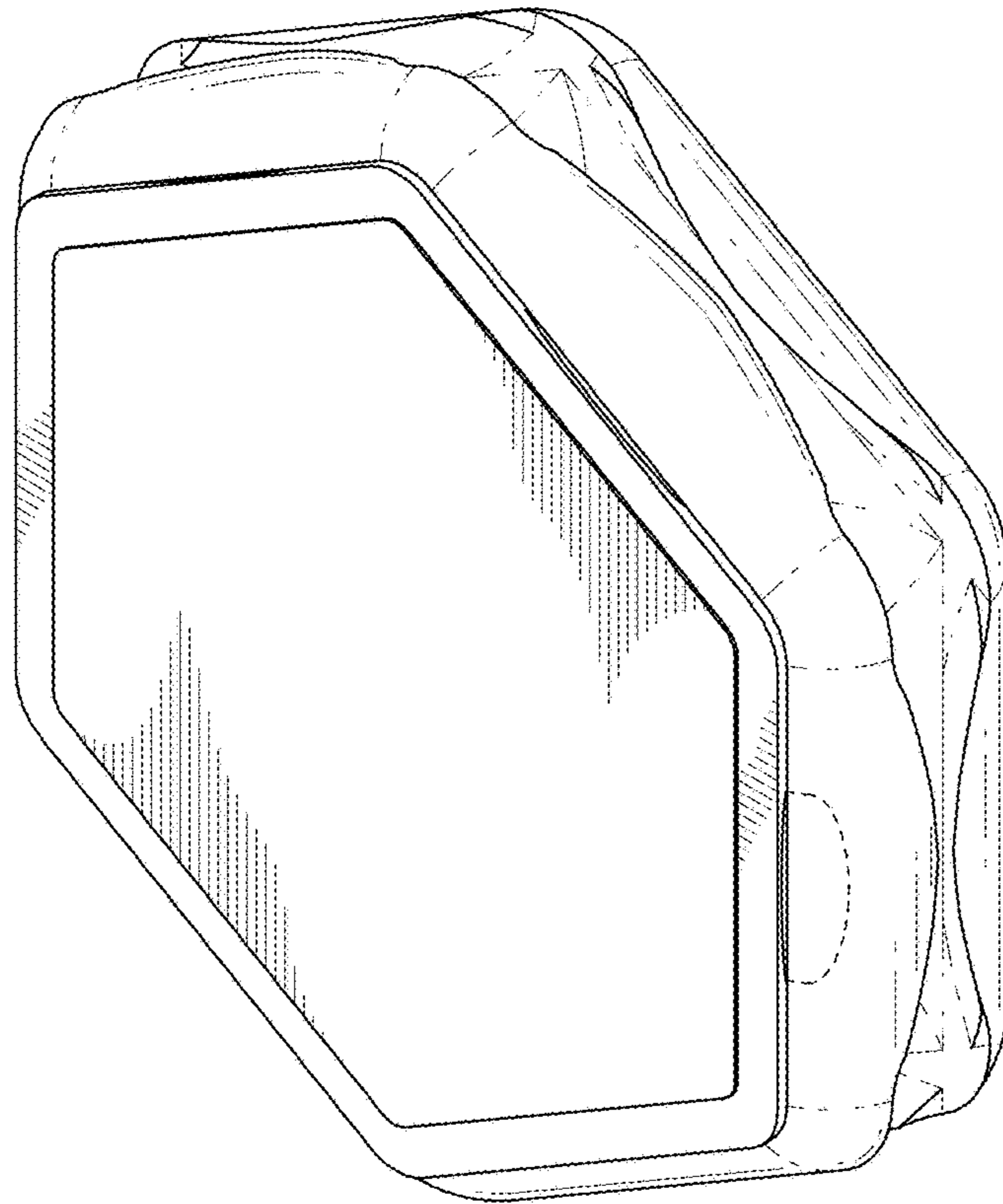


FIG. 1

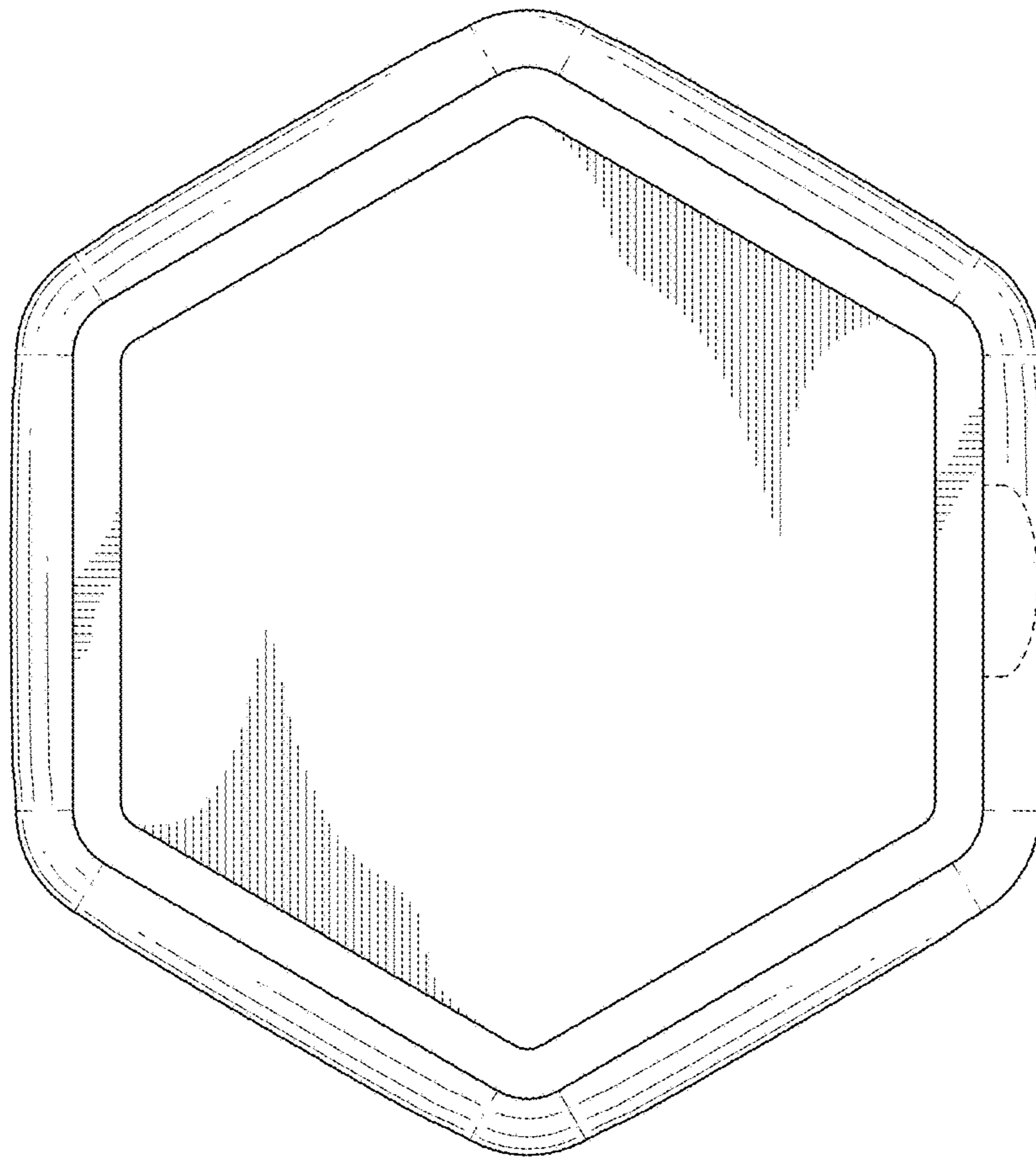


FIG.2

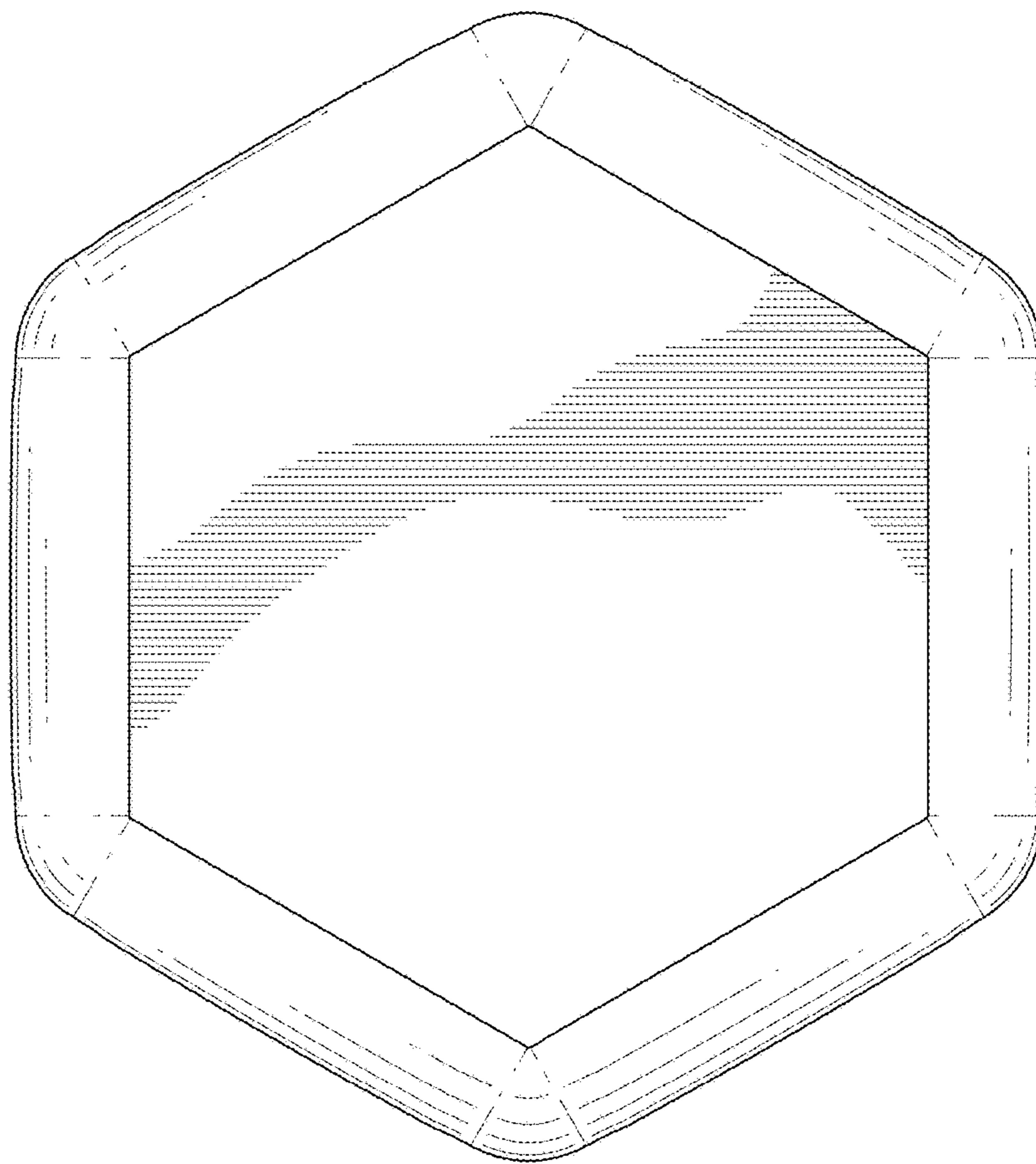


FIG. 3

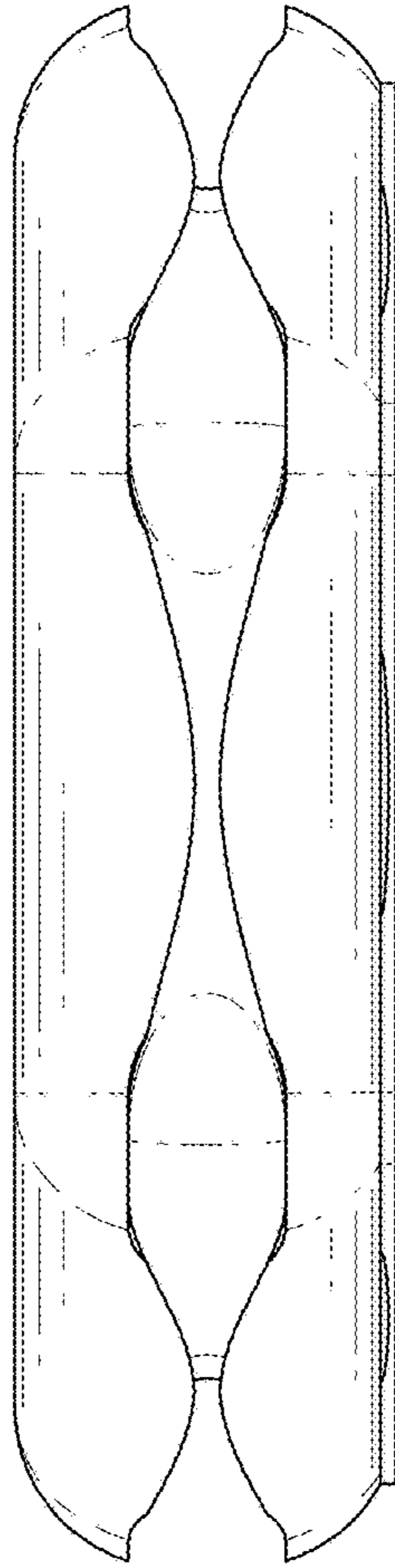


FIG. 4

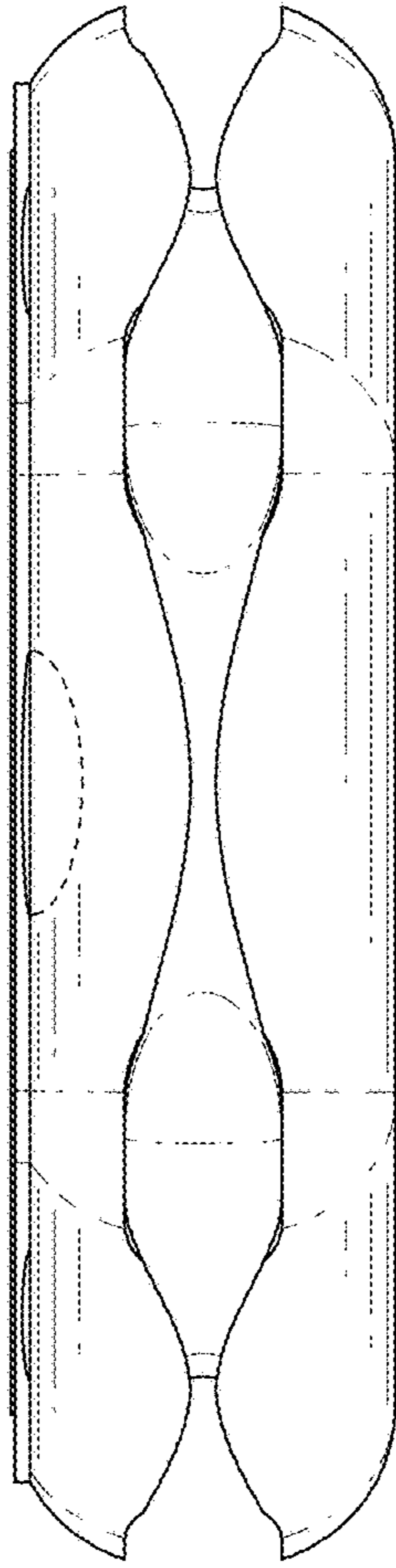


FIG.5

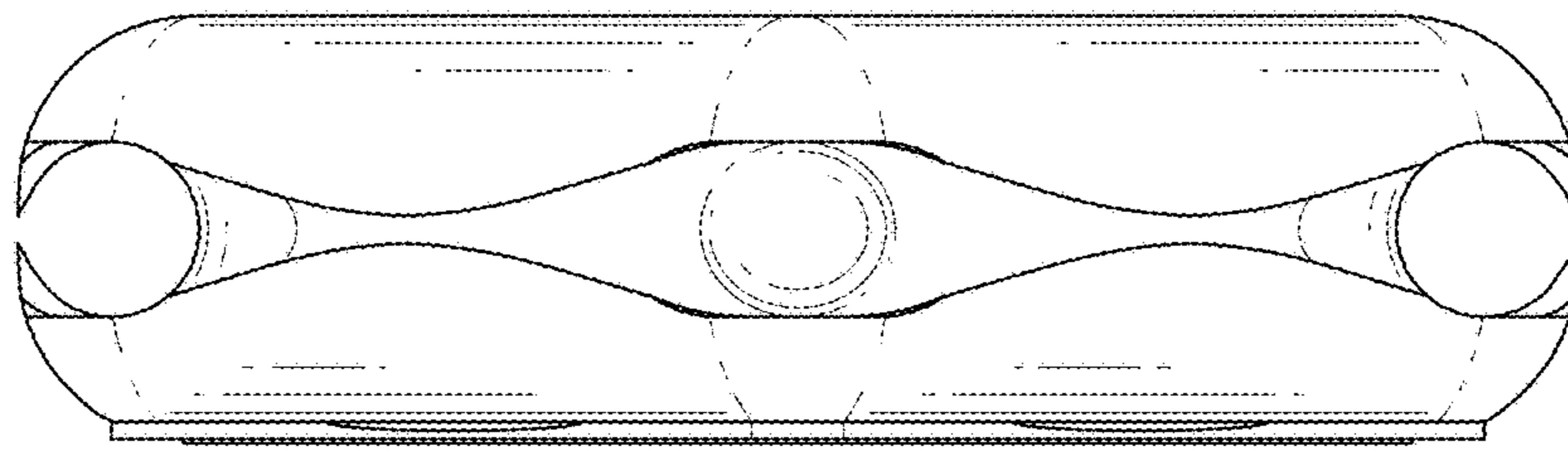


FIG. 6

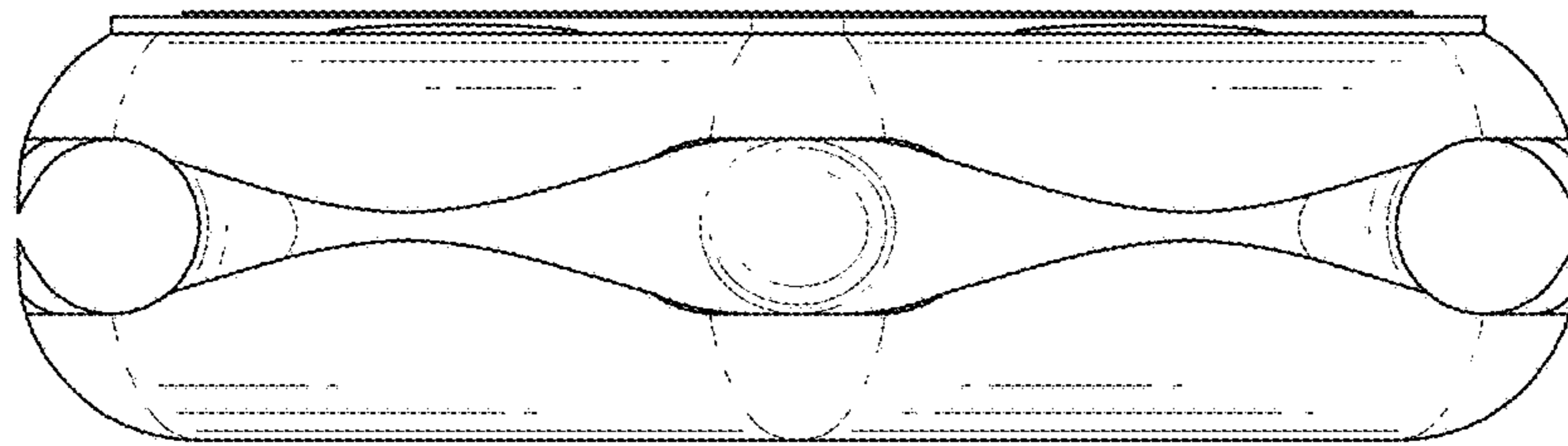


FIG. 7