



US00D850888S

(12) **United States Design Patent**  
**Pigg**

(10) **Patent No.:** **US D850,888 S**

(45) **Date of Patent:** **\*\* Jun. 11, 2019**

(54) **FIRE SUPPRESSION SYSTEM TANK BRACKET**

(71) Applicant: **Jon Pigg**, Quitaque, TX (US)

(72) Inventor: **Jon Pigg**, Quitaque, TX (US)

(\*\*) Term: **15 Years**

(21) Appl. No.: **29/639,717**

(22) Filed: **Mar. 8, 2018**

(51) **LOC (11) Cl.** ..... **08-08**

(52) **U.S. Cl.**  
USPC ..... **D8/349**

(58) **Field of Classification Search**  
USPC .... D6/672, 684, 680, 683.1, 703.5; D8/349,  
D8/354, 355, 330, 331, 333, 380, 382;  
D13/154, 133, 129, 199; D22/125;  
D25/119, 164, 199, 139, 141; D26/138,  
D26/76, 78, 79, 80

CPC .. F16C 2314/72; F16C 29/0623; F16C 29/06;  
F16C 29/0609; F16C 29/005; F16C  
29/008; F16C 29/04; F16C 29/0657;  
F16C 29/004; F16C 29/12; A47B 1/10;  
A47B 88/493; A47B 88/423; A47B  
2088/4235; B44C 5/02

See application file for complete search history.

(56) **References Cited**

**U.S. PATENT DOCUMENTS**

D69,323 S \* 1/1926 Karsh ..... 248/37.3  
D459,488 S \* 6/2002 Thornton ..... D25/119

D622,864 S \* 8/2010 Bajrami ..... D25/35  
D666,321 S \* 8/2012 Morton ..... D25/119  
D674,951 S \* 1/2013 Sonneman ..... D26/102  
D758,771 S \* 6/2016 Austin, III ..... D6/683.1  
D783,390 S \* 4/2017 Nelson ..... D8/349  
D798,345 S \* 9/2017 Maeda ..... D15/89  
D801,736 S \* 11/2017 Paul ..... D6/684  
D823,669 S \* 7/2018 Macdonald ..... D8/349  
D823,670 S \* 7/2018 Macdonald ..... D8/349  
D834,920 S \* 12/2018 Macdonald ..... D8/349  
D839,075 S \* 1/2019 Macdonald ..... D8/349

\* cited by examiner

*Primary Examiner* — Mark A Goodwin

*Assistant Examiner* — Benjamin M Weeks

(74) *Attorney, Agent, or Firm* — Sarah Hegi Simpson;  
McWhorter, Cobb & Johnson, LLP

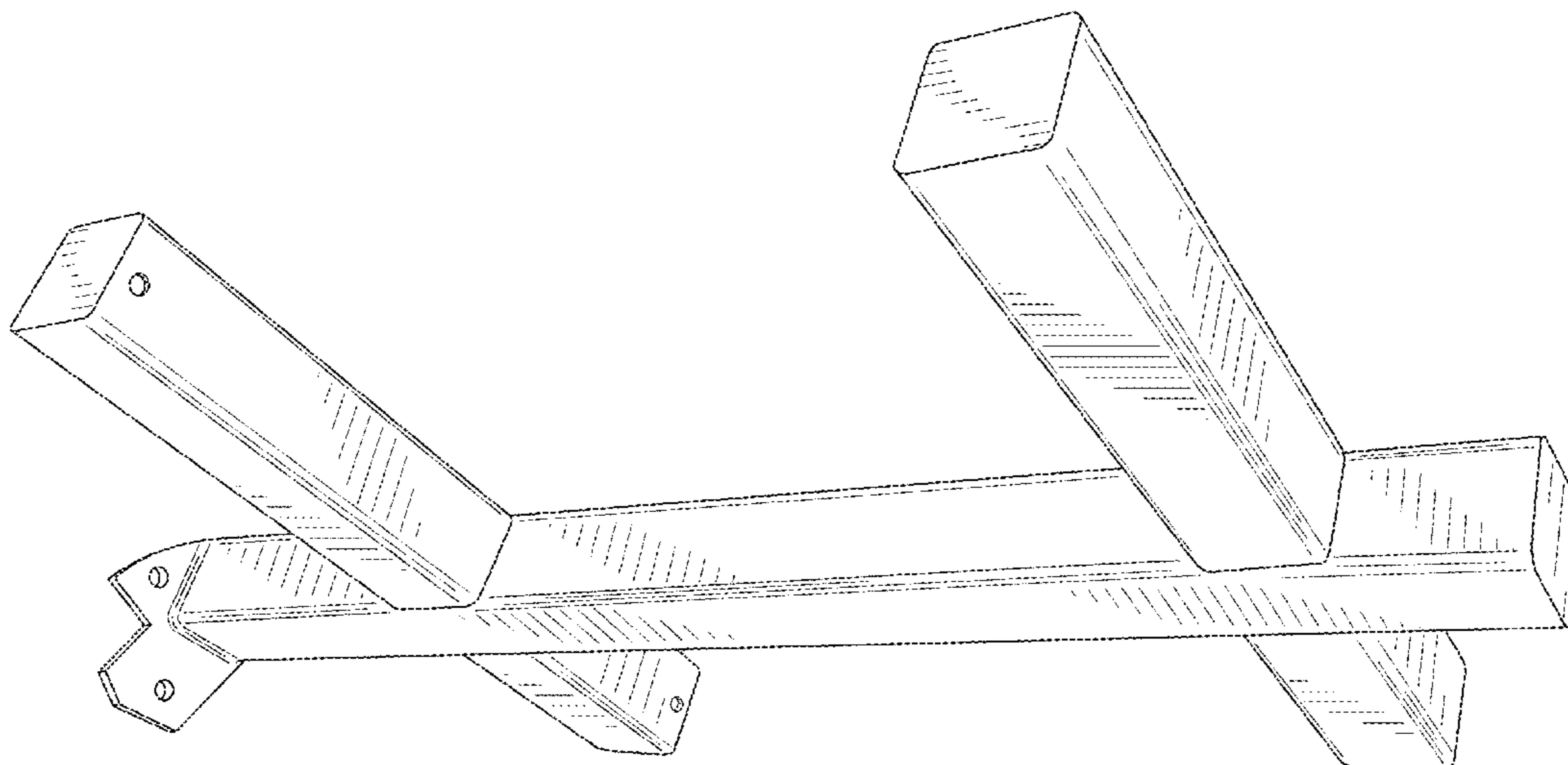
(57) **CLAIM**

I claim the ornamental design for a fire suppression system tank bracket, as shown and described.

**DESCRIPTION**

FIG. 1 is a bottom front perspective view of a fire suppression system tank bracket showing my new design;  
FIG. 2 is a top rear perspective view of the device shown in FIG. 1;  
FIG. 3 is a top front perspective view of the device shown in FIG. 1; and,  
FIG. 4 is a side perspective view of a portion of the device shown in FIG. 1.

**1 Claim, 4 Drawing Sheets**



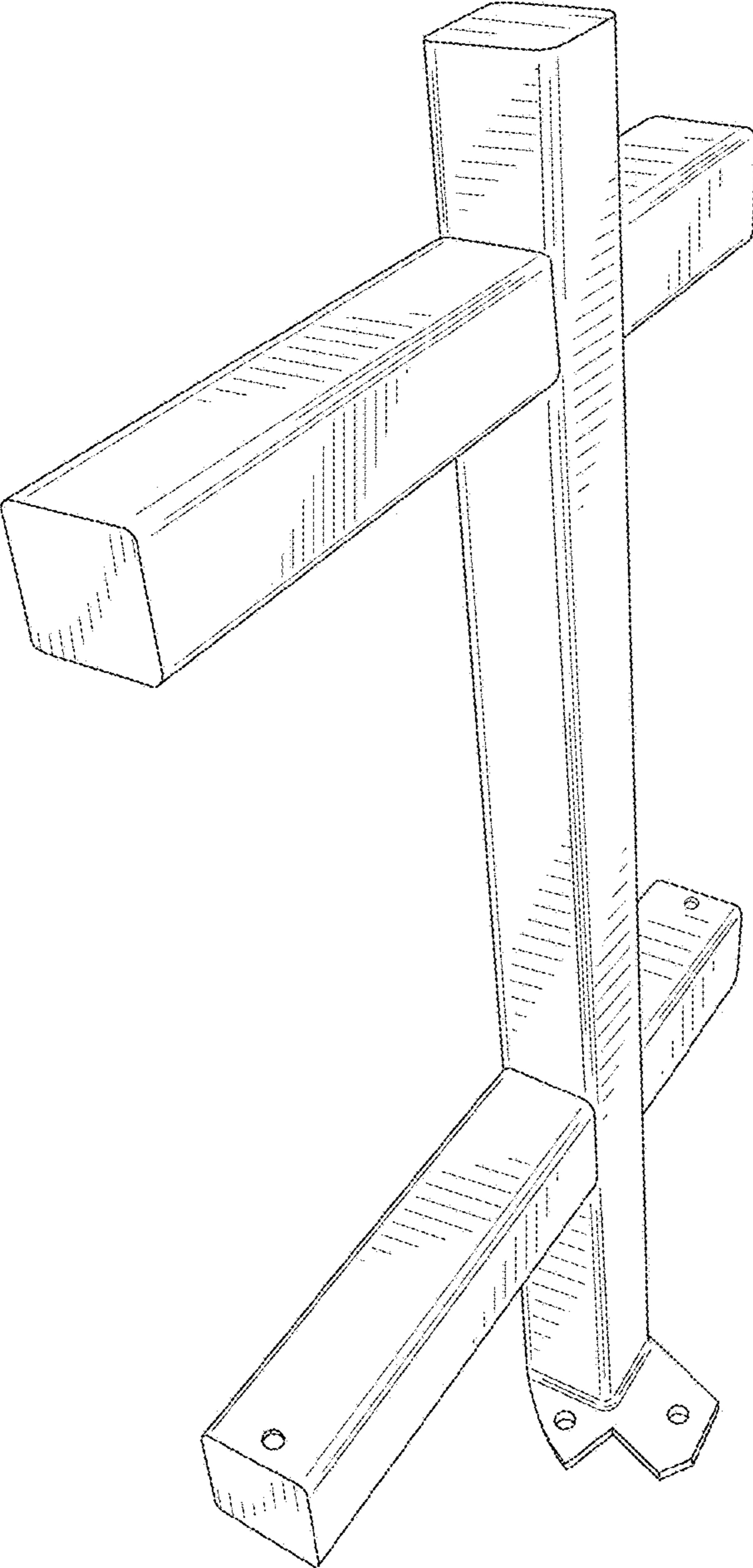


FIG. 1

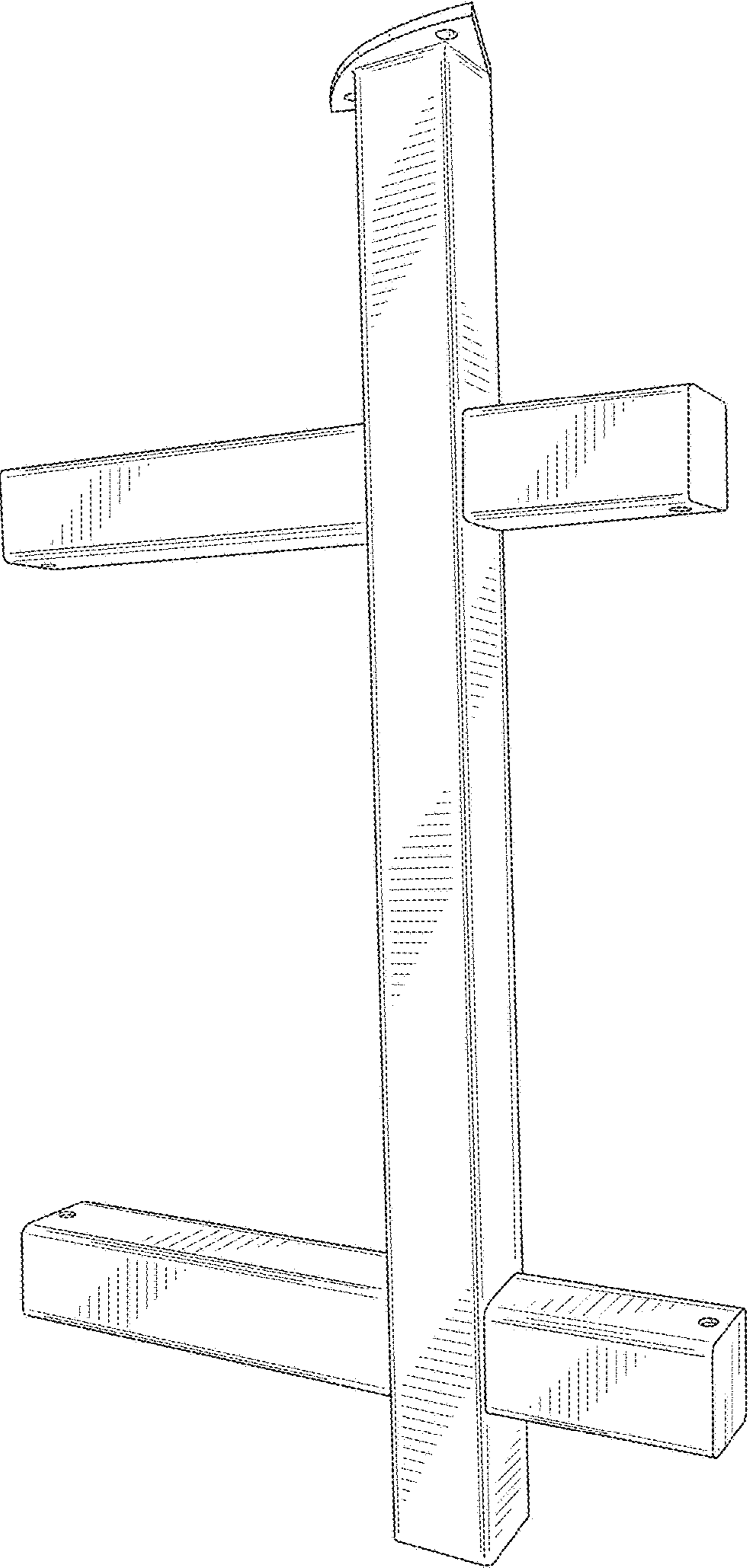


FIG. 2

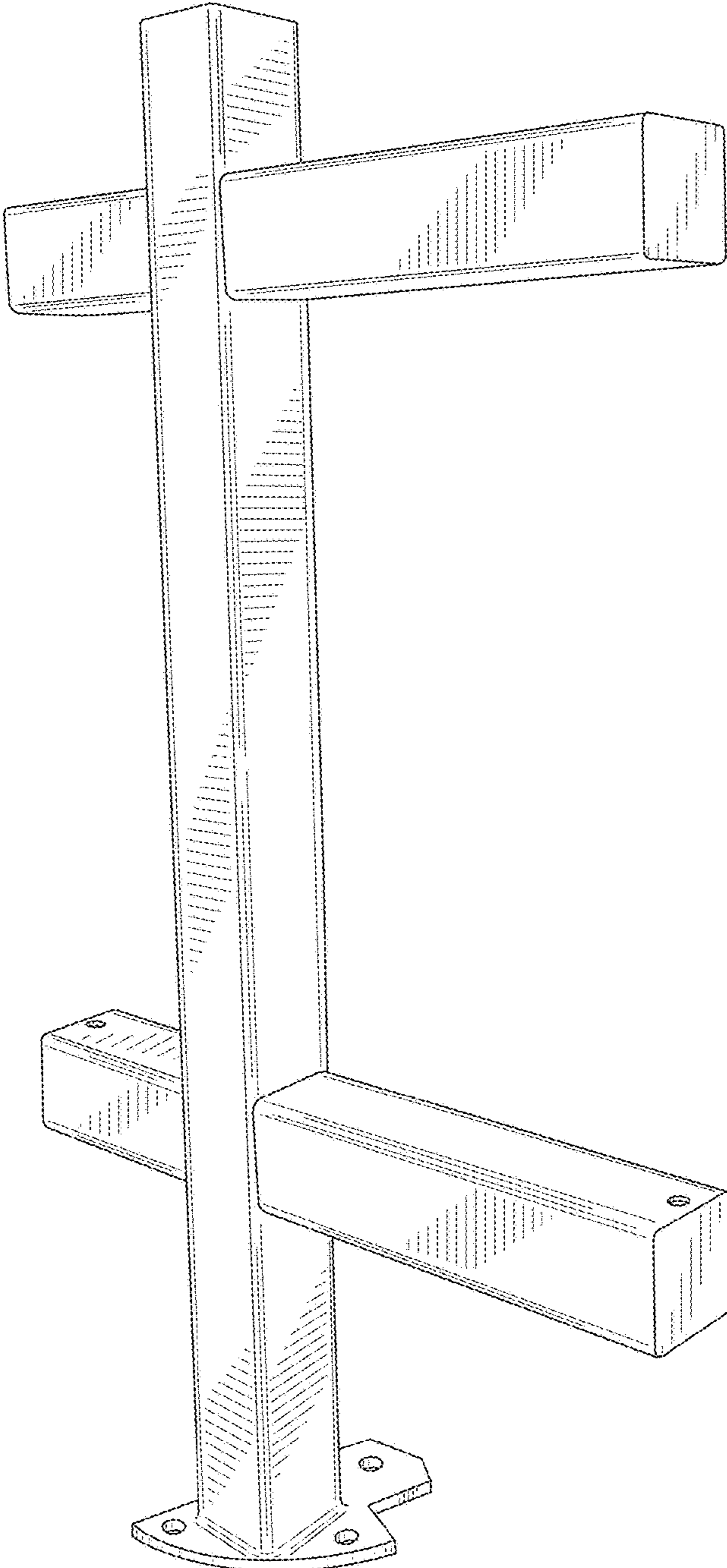


FIG. 3

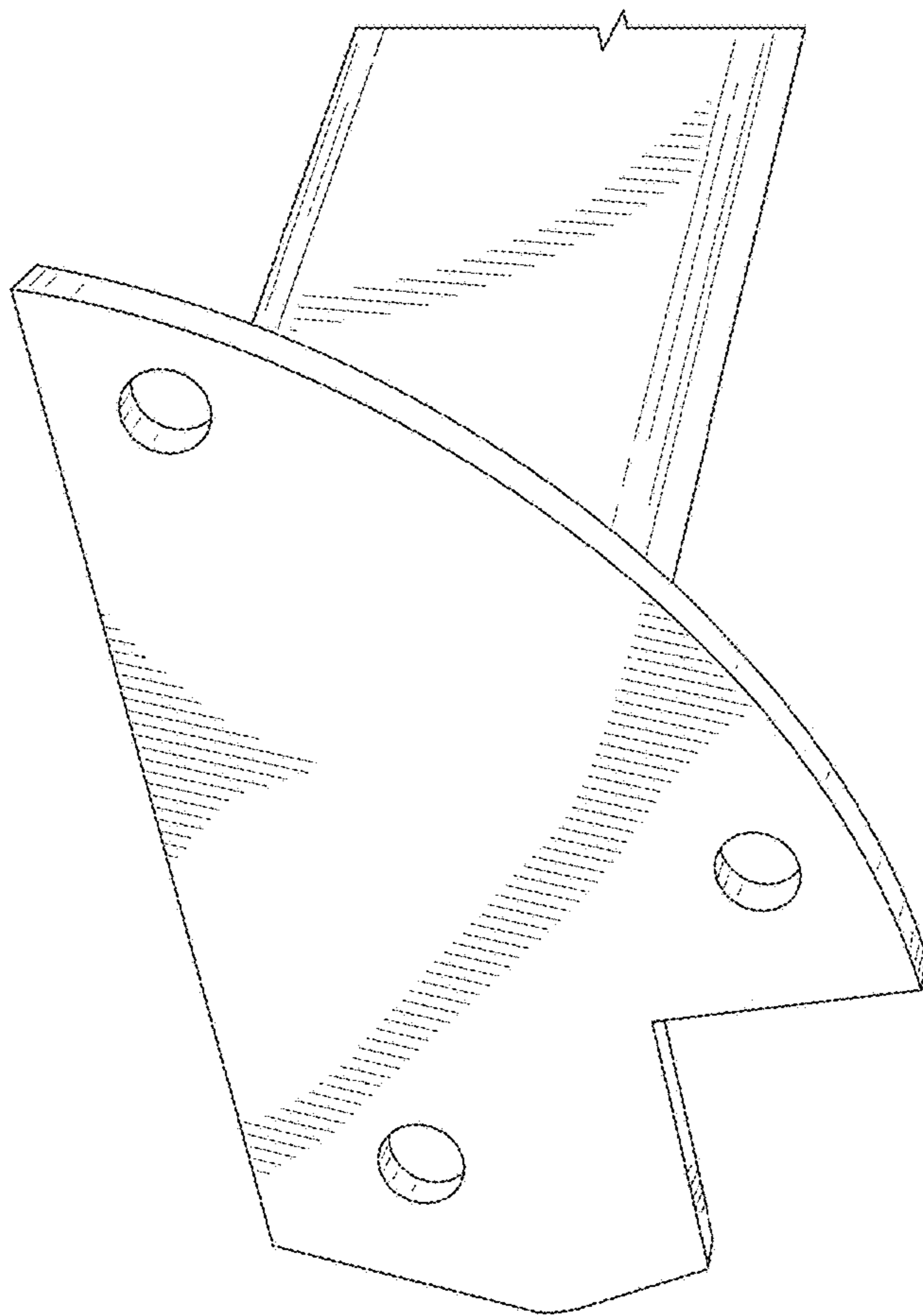


FIG. 4