



US00D850887S

(12) **United States Design Patent**
Solow

(10) **Patent No.:** **US D850,887 S**
(45) **Date of Patent:** **** Jun. 11, 2019**

(54) **MOUNTING BRACKET**
(71) Applicant: **WOLO MFG. CORP.**, Deer Park, NY
(US)
(72) Inventor: **Stanley Solow**, Plainview, NY (US)
(73) Assignee: **WOLO MFG. CORP.**, Deer Park, NY
(US)

6,220,557 B1 * 4/2001 Ziaylek A62C 13/78
248/154
D467,792 S * 12/2002 Zadak A47F 5/0823
D8/354
D556,546 S * 12/2007 Swanson D8/354
D698,287 S * 1/2014 Terpsma D12/162
D758,174 S * 6/2016 Lee D8/382
D782,292 S * 3/2017 Wessel D8/382
D792,184 S * 7/2017 Deshler D6/684
D824,430 S * 7/2018 Sivinski D15/28
D840,282 S * 2/2019 Coste D12/162

(**) Term: **15 Years**

* cited by examiner

(21) Appl. No.: **29/634,433**

Primary Examiner — Mark A Goodwin

(22) Filed: **Jan. 22, 2018**

Assistant Examiner — Benjamin M Weeks

(51) **LOC (11) Cl.** **08-08**

(74) *Attorney, Agent, or Firm* — Andrew F. Young, Esq.;
Lackebach Siegel, LLP

(52) **U.S. Cl.**

USPC **D8/349**

(57) **CLAIM**

(58) **Field of Classification Search**

USPC D6/672, 684, 680, 683.1, 703.5; D8/349,
D8/354, 355, 330, 331, 333, 380, 382;
D13/154, 133, 129, 199; D22/125;
D25/119, 164, 199, 139, 141; D26/138,
D26/76, 78, 79, 80

The ornamental design for a mounting bracket, as shown and described.

CPC .. F16C 2314/72; F16C 29/0623; F16C 29/06;
F16C 29/0609; F16C 29/005; F16C
29/008; F16C 29/04; F16C 29/0657;
F16C 29/004; F16C 29/12; A47B 1/10;
A47B 88/493; A47B 88/423; A47B
2088/4235; B44C 5/02

DESCRIPTION

See application file for complete search history.

FIG. 1 is a front top perspective view of a mounting bracket showing my new design.
FIG. 2 is a front bottom perspective view thereof.
FIG. 3 is a top plan view thereof.
FIG. 4 is a bottom plan view thereof.
FIG. 5 is a left side elevation view thereof.
FIG. 6 is a right side elevation view thereof.
FIG. 7 is a front elevation view thereof.
FIG. 8 is a rear elevation view thereof; and,
FIG. 9 is an illustrative front top perspective view thereof in a use-configuration.

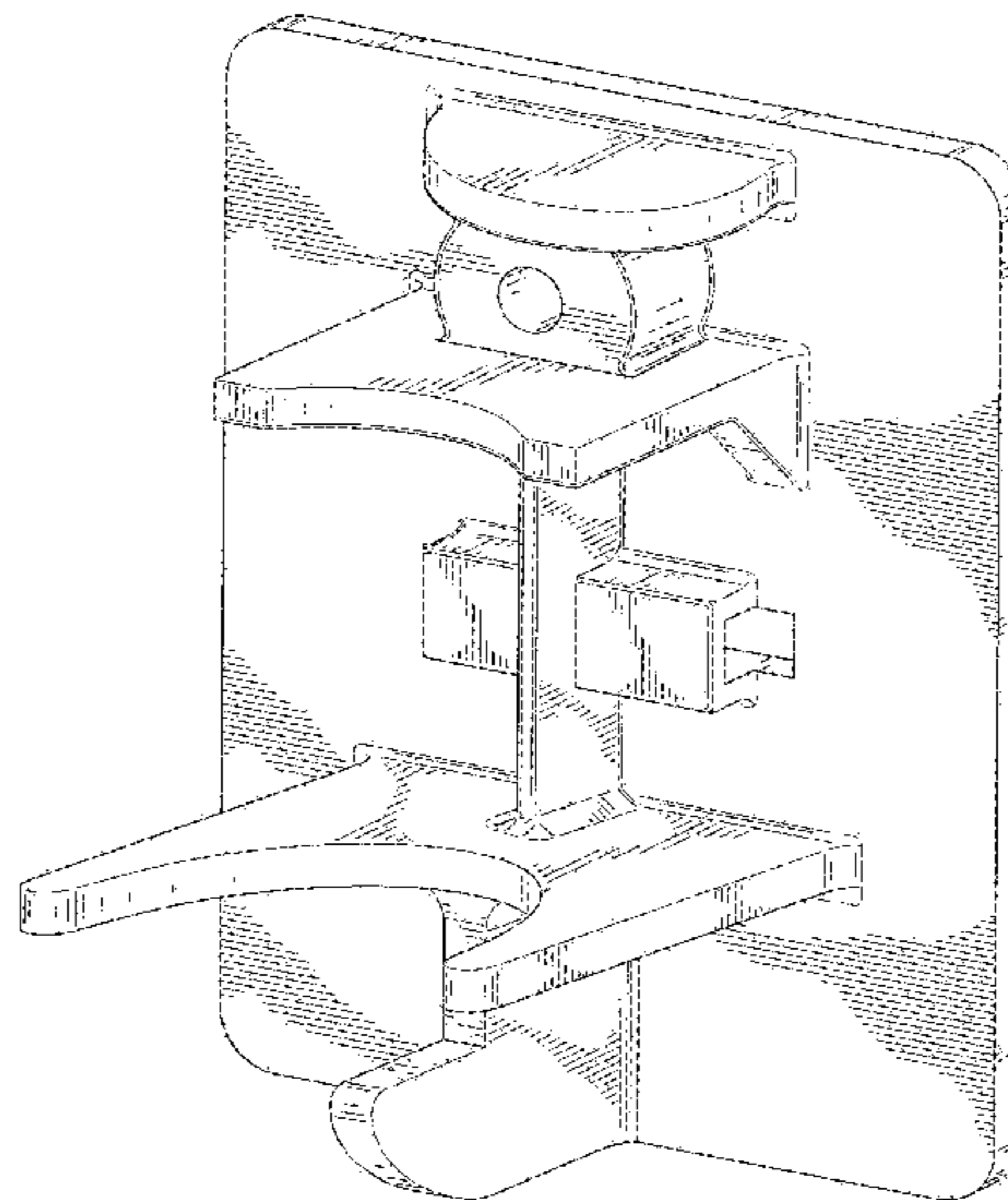
(56) **References Cited**

U.S. PATENT DOCUMENTS

2,431,698 A * 12/1947 Lombard A62C 13/78
248/311.2
D265,287 S * 7/1982 Ziaylek, Jr. D8/373
D375,284 S * 11/1996 Kass D12/162
D377,775 S * 2/1997 Barton, Jr. D12/168

No claim is made to portions which are not shown. The dash-dash lines indicate disclaimed environmental subject matter to which no claim is made. The surfaces are lightly lined for contour.

1 Claim, 8 Drawing Sheets



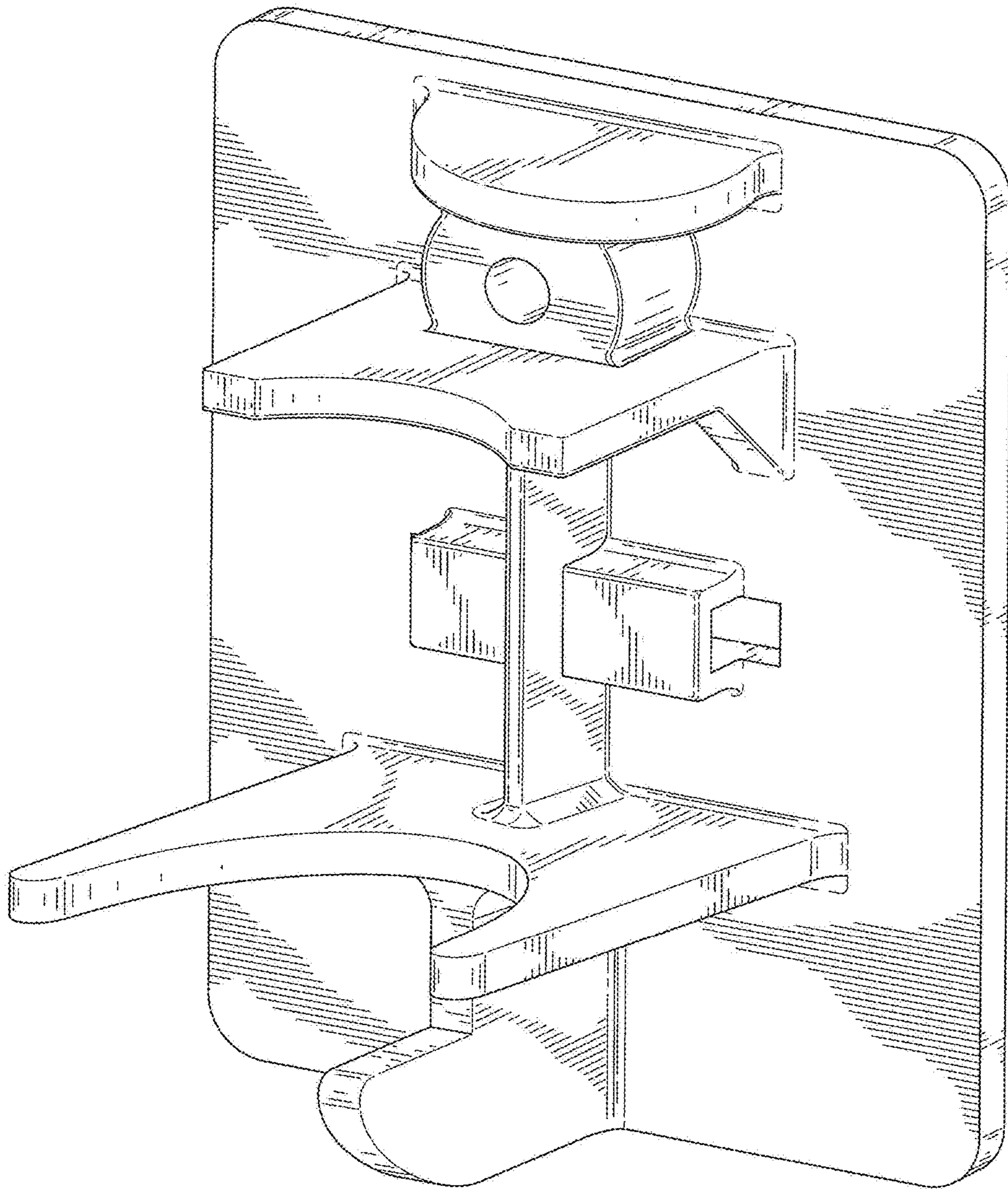


FIG. 1

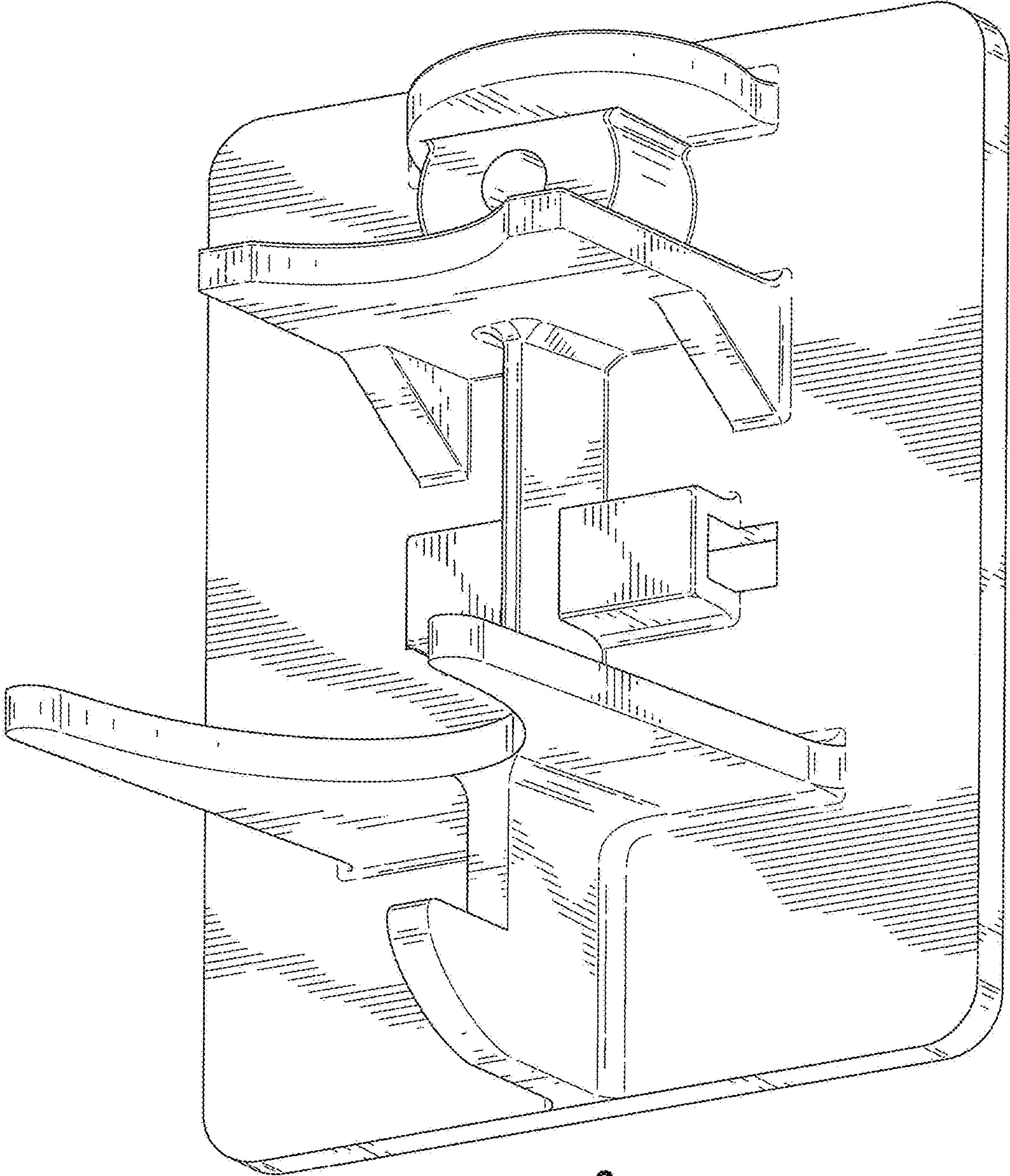


FIG. 2

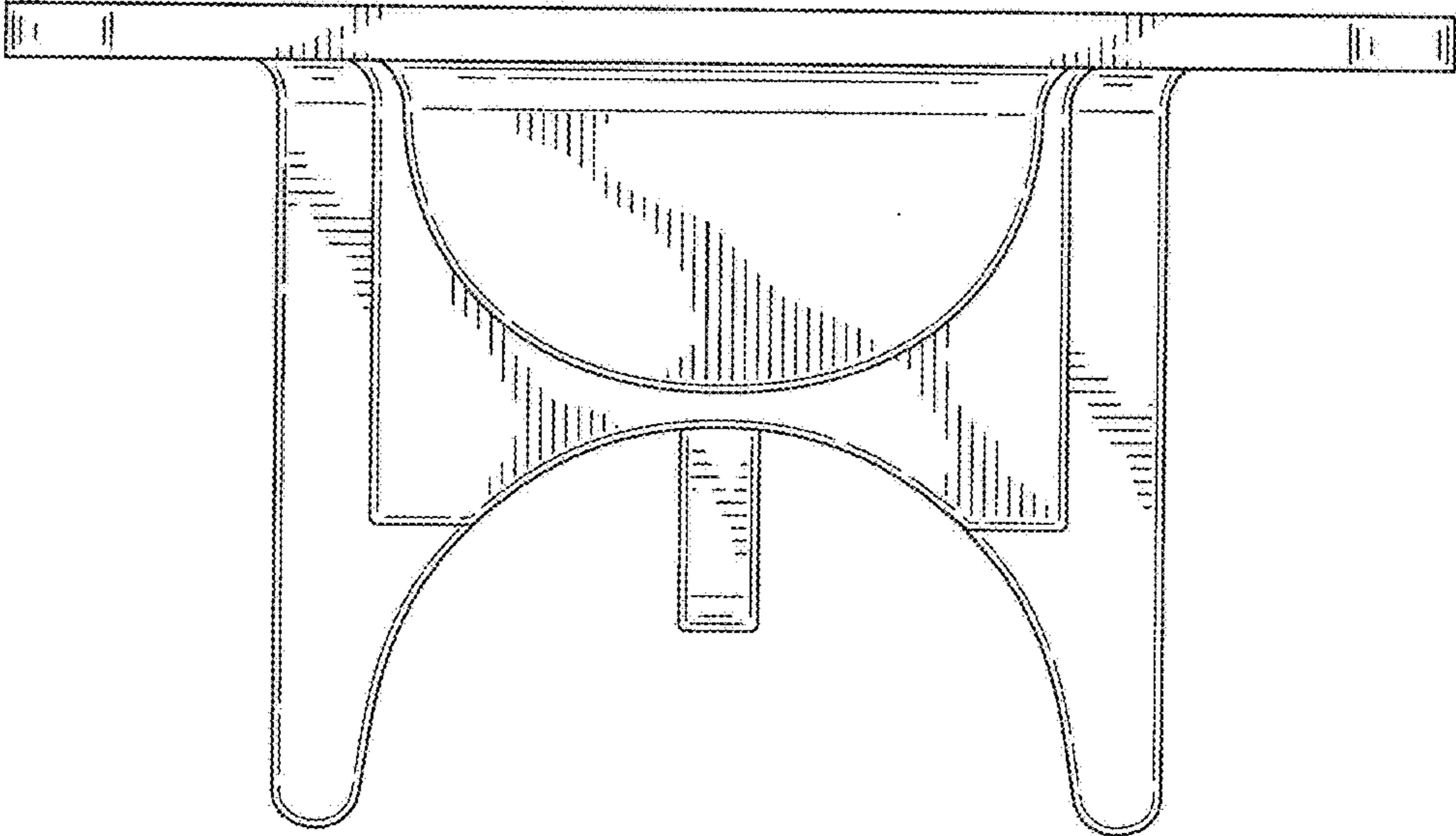


FIG. 3

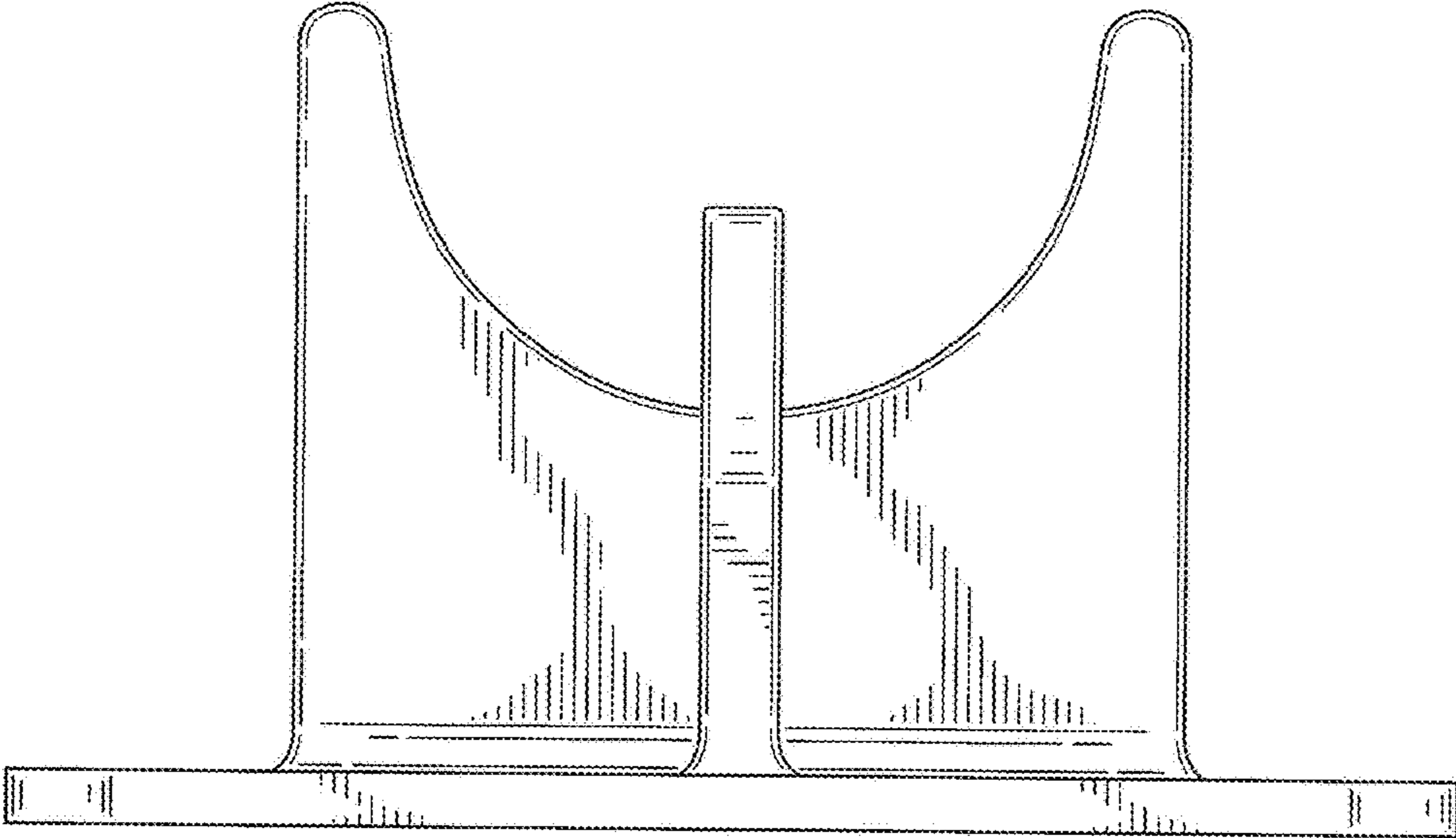


FIG. 4

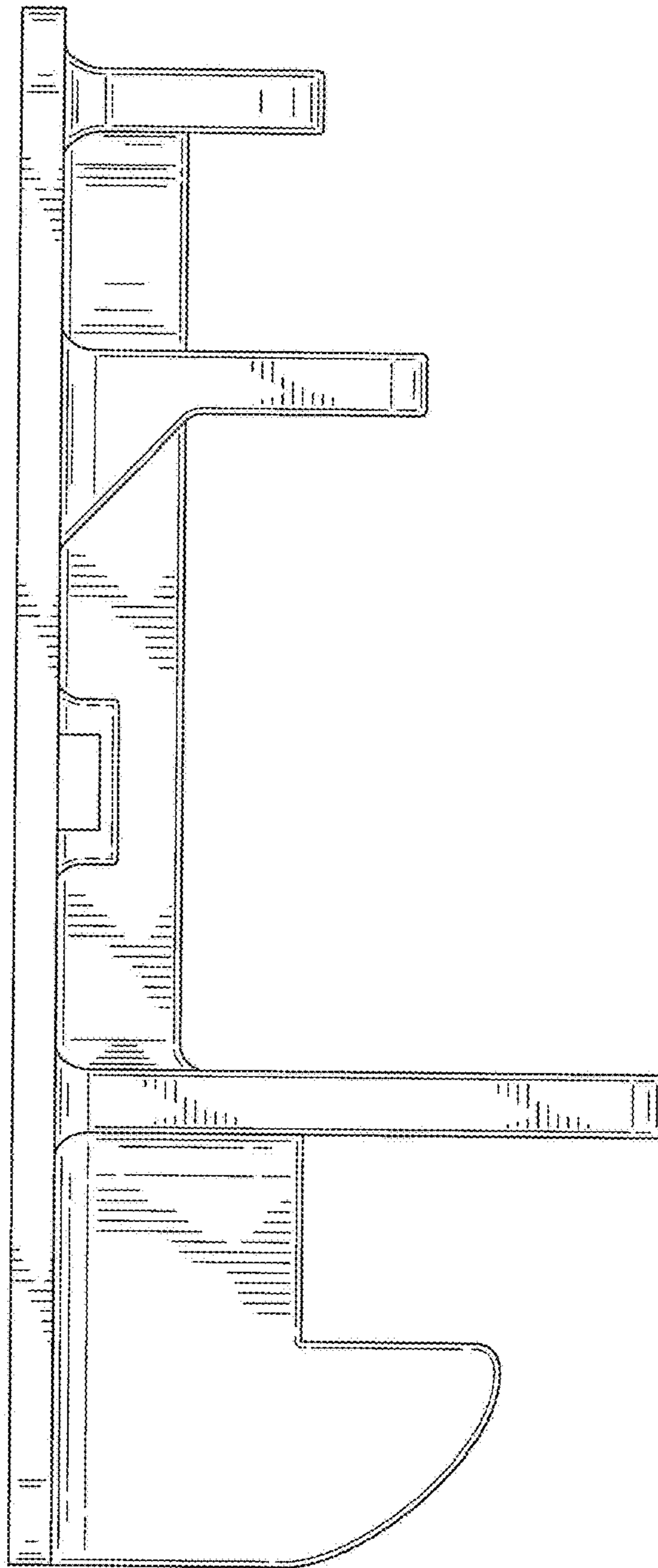


FIG. 5

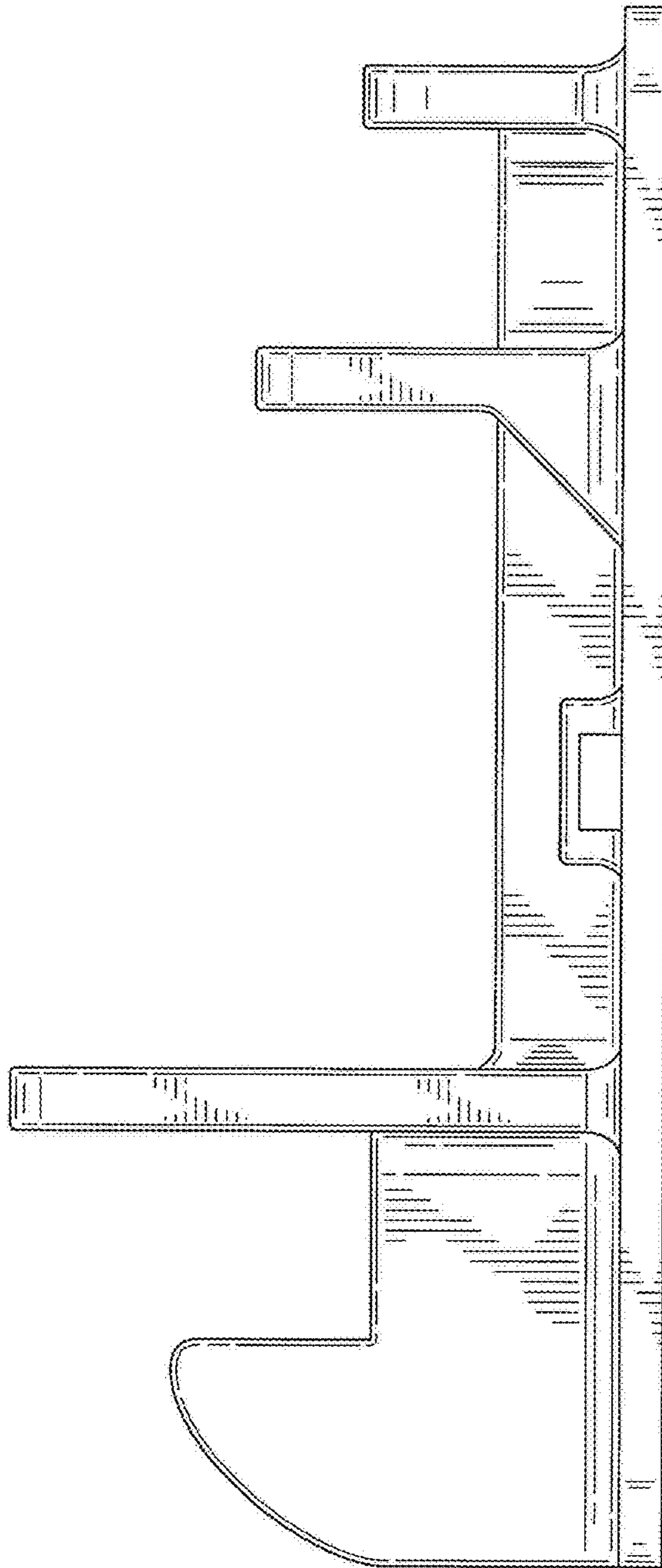


FIG. 6

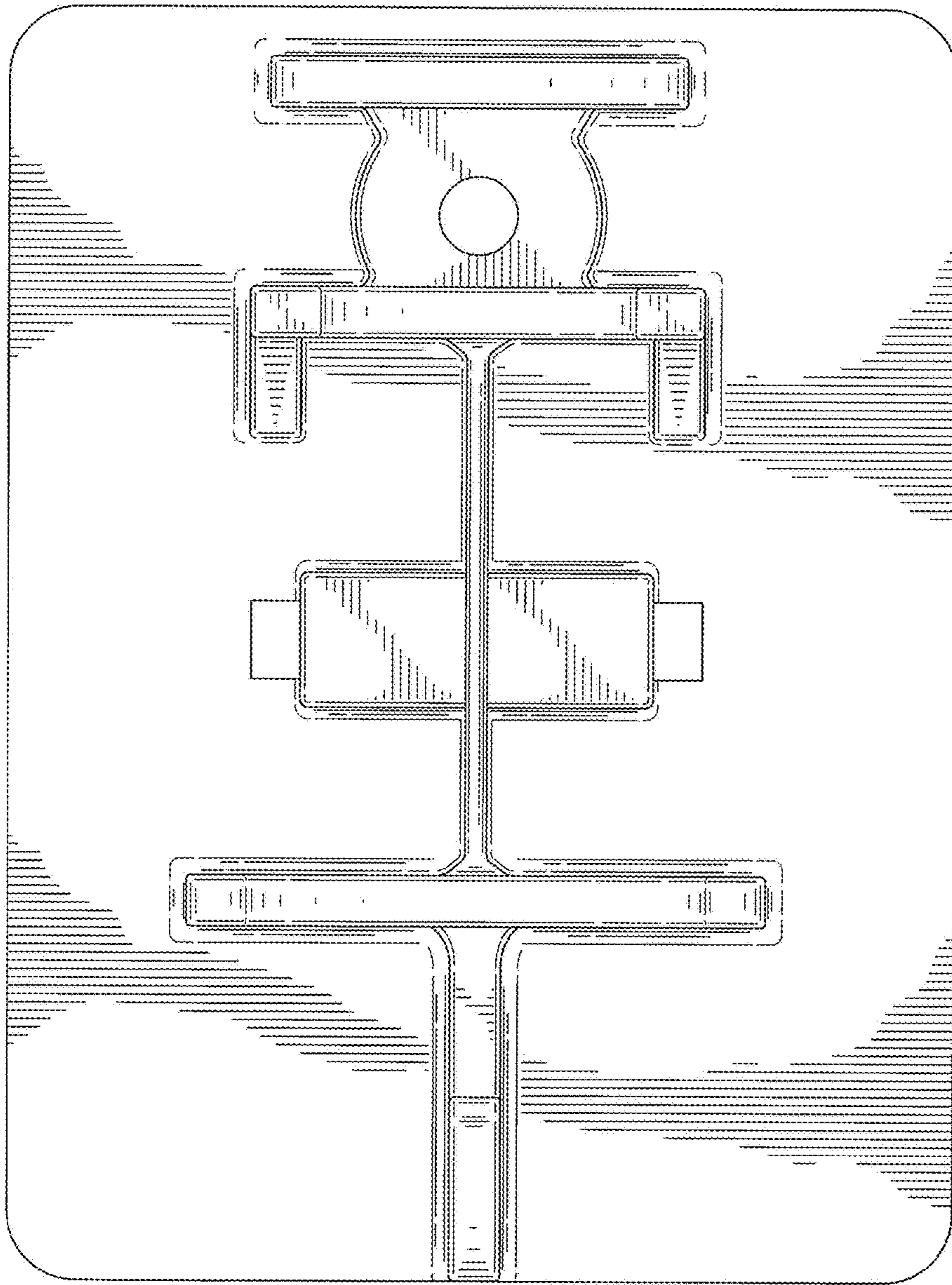


FIG. 7

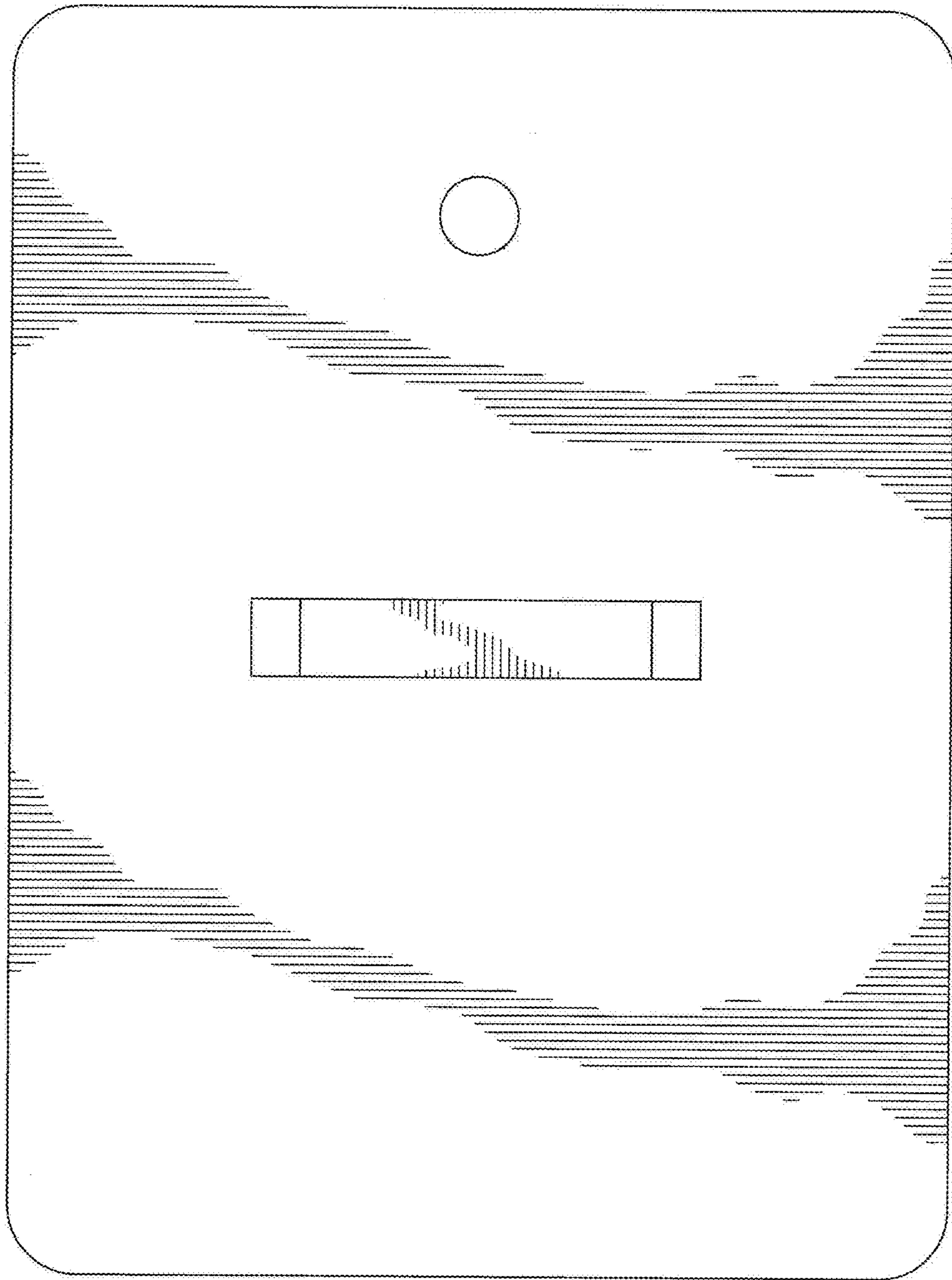


FIG. 8

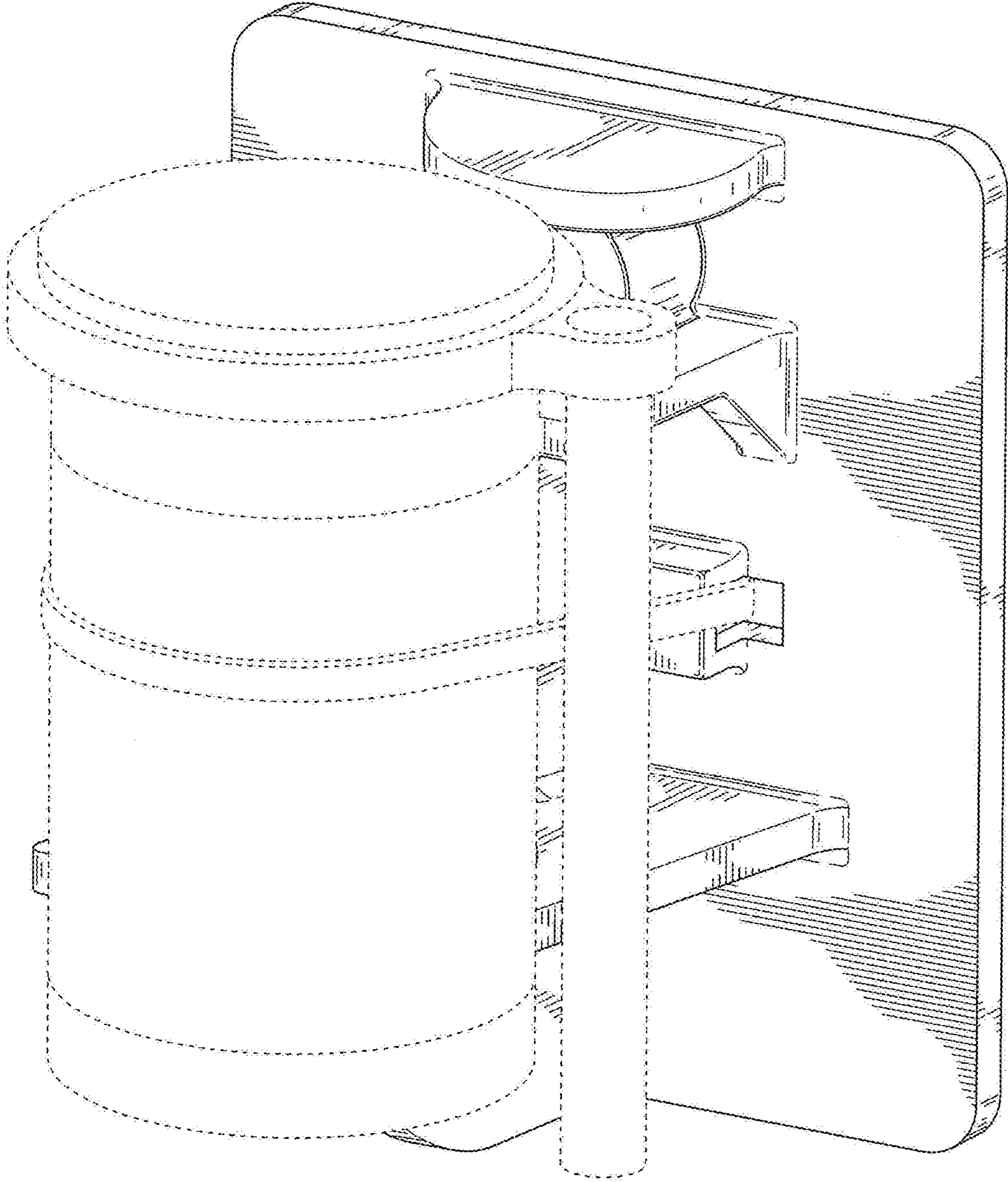


FIG. 9