



US00D850884S

(12) **United States Design Patent**  
**Poidatz et al.**

(10) **Patent No.:** **US D850,884 S**  
(45) **Date of Patent:** **\*\* Jun. 11, 2019**

(54) **DRAWER HANDLE**

(71) Applicant: **DASSAULT AVIATION**, Paris (FR)

(72) Inventors: **Matthieu Poidatz**, Suresnes (FR);  
**Agnès Gervais**, Paris (FR)

(73) Assignee: **DASSAULT AVIATION**, Paris (FR)

(\*\*) Term: **15 Years**

(21) Appl. No.: **29/603,958**

(22) Filed: **May 15, 2017**

(30) **Foreign Application Priority Data**

Nov. 14, 2016 (EM) ..... 003463108-0001

(51) **LOC (11) Cl.** ..... **08-06**

(52) **U.S. Cl.**  
USPC ..... **D8/302**

(58) **Field of Classification Search**  
USPC ..... D8/300, 301, 302, 306, 313, 331;  
D23/254  
CPC ... Y10T 292/57; Y10T 16/44; Y10T 70/5155;  
Y10T 70/5832; Y10T 292/1047; Y10T  
16/458; Y10T 70/5757; Y10T 16/476;  
Y10T 70/8541; Y10T 70/5765; Y10T  
74/20732; Y10T 16/473; Y10T 292/1089;  
Y10T 292/865; Y10T 70/7305; Y10T  
292/097; Y10T 292/0938; Y10T 16/509;  
Y10T 292/0834; Y10T 292/1014; Y10T  
292/0959; Y10T 292/308; Y10T 70/489;  
Y10T 74/20876; Y10T 70/80; Y10T  
74/20828; Y10T 70/8459; Y10T  
74/20864; Y10T 292/1064  
See application file for complete search history.

(56) **References Cited**

U.S. PATENT DOCUMENTS

2,721,751 A \* 10/1955 Holritz ..... E05C 1/145  
292/169

3,283,549 A \* 11/1966 Mees ..... E05C 1/145  
70/208

3,338,610 A \* 8/1967 Pelcin ..... E05C 1/145  
292/126

D218,672 S \* 9/1970 Lauper ..... D8/302

3,743,336 A \* 7/1973 Andrews ..... E05C 1/145  
292/173

D230,132 S \* 1/1974 Pastva, Jr. .... D8/302

D265,965 S \* 8/1982 Davis ..... D8/302

D383,664 S \* 9/1997 Bennett ..... D8/306

6,474,703 B1 \* 11/2002 Berg ..... E05C 1/145  
292/200

D488,991 S \* 4/2004 Bertani ..... E05B 1/0015  
D8/313

D494,836 S \* 8/2004 Bertani ..... D8/313

D498,405 S \* 11/2004 Weinerman ..... D8/306

D502,380 S \* 3/2005 Misner ..... D8/302

D502,642 S \* 3/2005 Misner ..... D8/302

D504,803 S \* 5/2005 Misner ..... D8/302

D542,624 S \* 5/2007 Vickers ..... D8/331

D570,192 S \* 6/2008 Beckner ..... D8/331

D614,016 S \* 4/2010 Zenner ..... D8/331

D656,383 S \* 3/2012 Matre ..... D8/330

(Continued)

Primary Examiner — Lauren R Calve

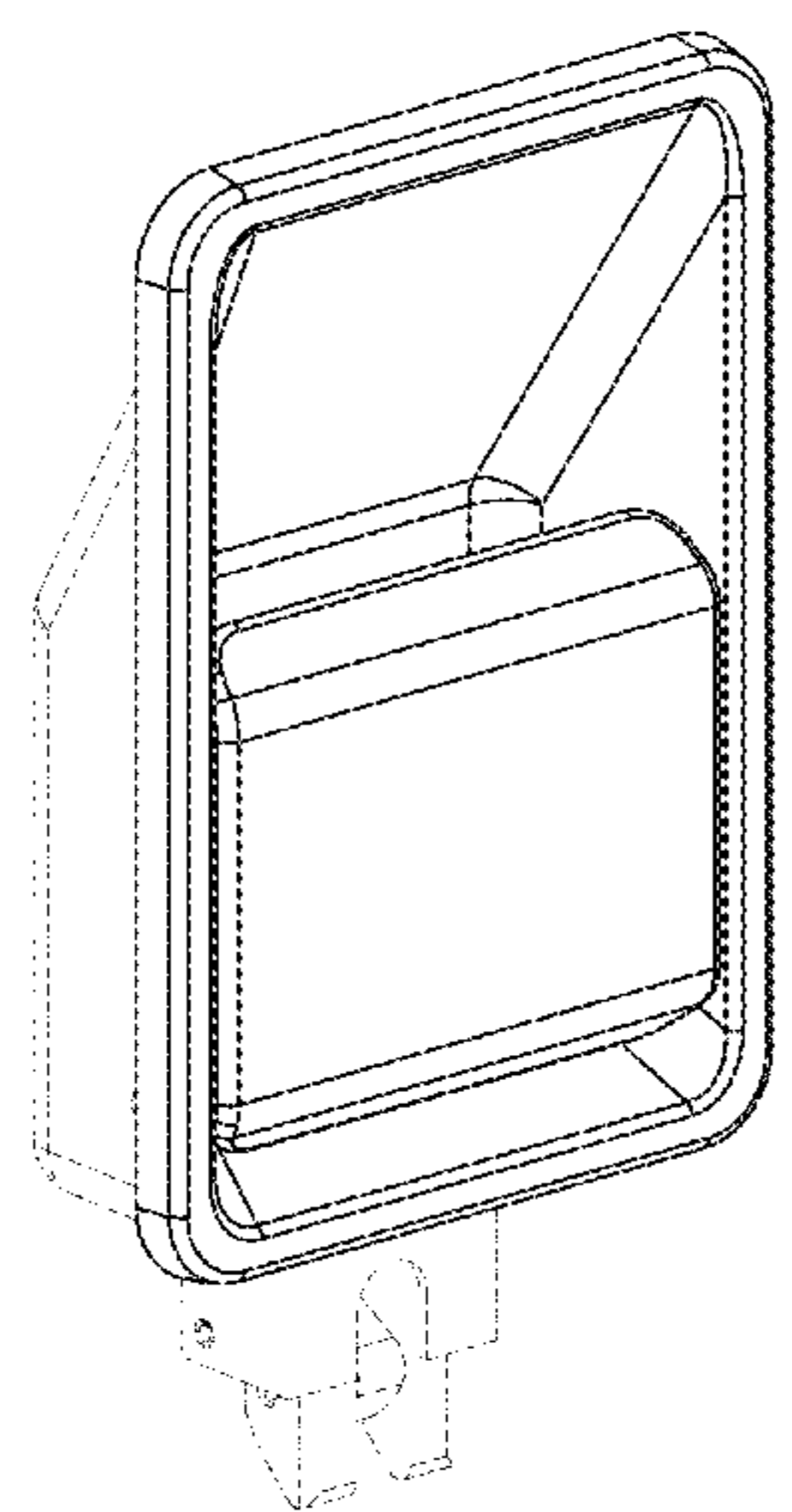
(57) **CLAIM**

The ornamental design for a drawer handle, as shown and described.

**DESCRIPTION**

FIG. 1 is a front perspective view of a drawer handle;  
FIG. 2 is a front elevation view thereof;  
FIG. 3 is a bottom plan view thereof;  
FIG. 4 is a top plan view thereof;  
FIG. 5 is a left side elevation view thereof; and,  
FIG. 6 is a right side elevation view thereof.  
The broken line representations in the figures are for illustration only and form no part of the claimed design.

**1 Claim, 6 Drawing Sheets**



(56)

**References Cited**

U.S. PATENT DOCUMENTS

8,146,394 B2 \* 4/2012 Krueger ..... E05B 5/00  
292/DIG. 31  
D674,678 S \* 1/2013 Pickar ..... D8/302  
D694,087 S \* 11/2013 Burns ..... D8/302  
D732,923 S \* 6/2015 Rechberg ..... D8/331  
D749,396 S \* 2/2016 Alfredsson ..... D8/331  
9,399,879 B2 \* 7/2016 Burns ..... E05B 85/18

\* cited by examiner

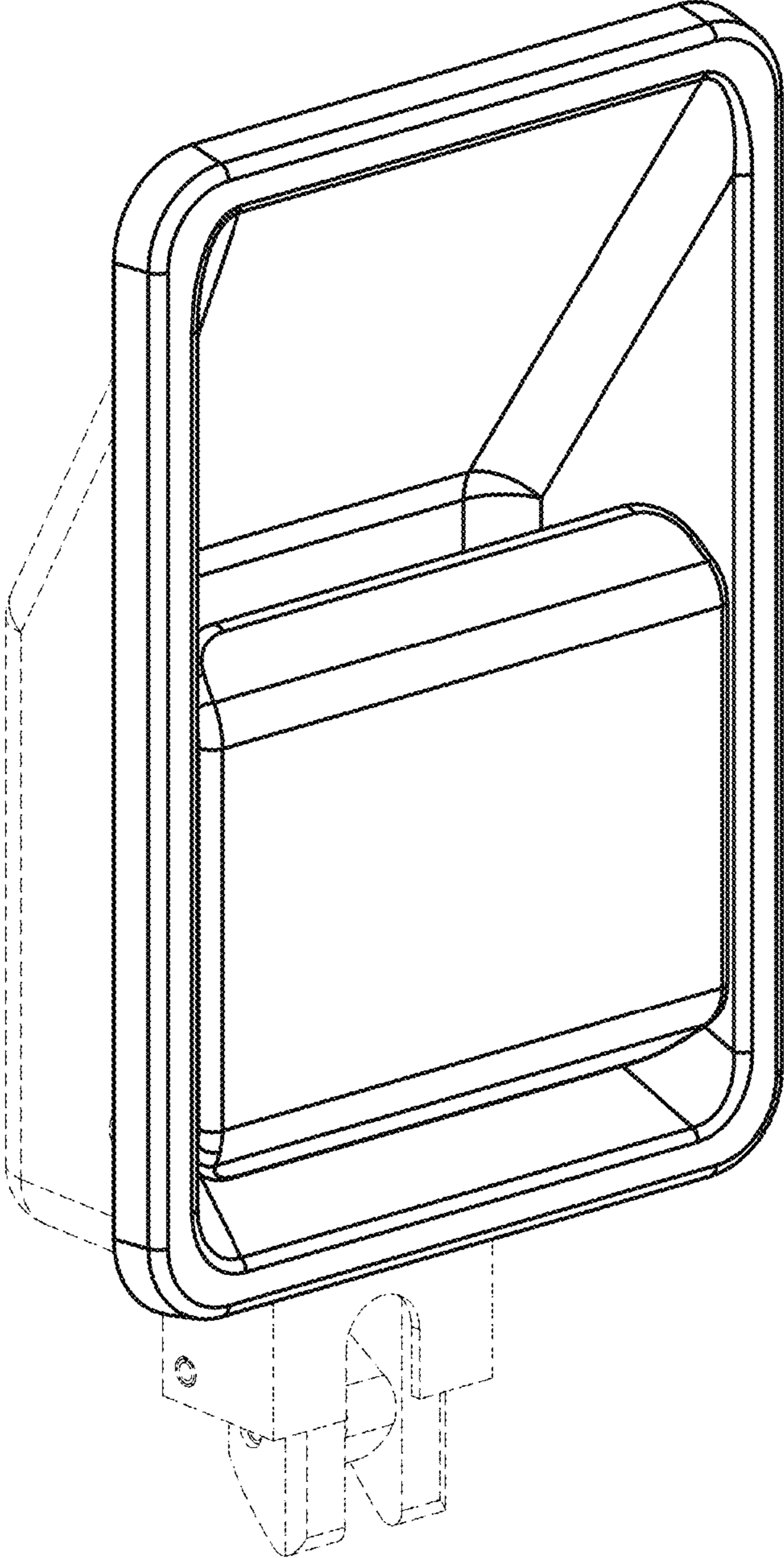


Fig. 1

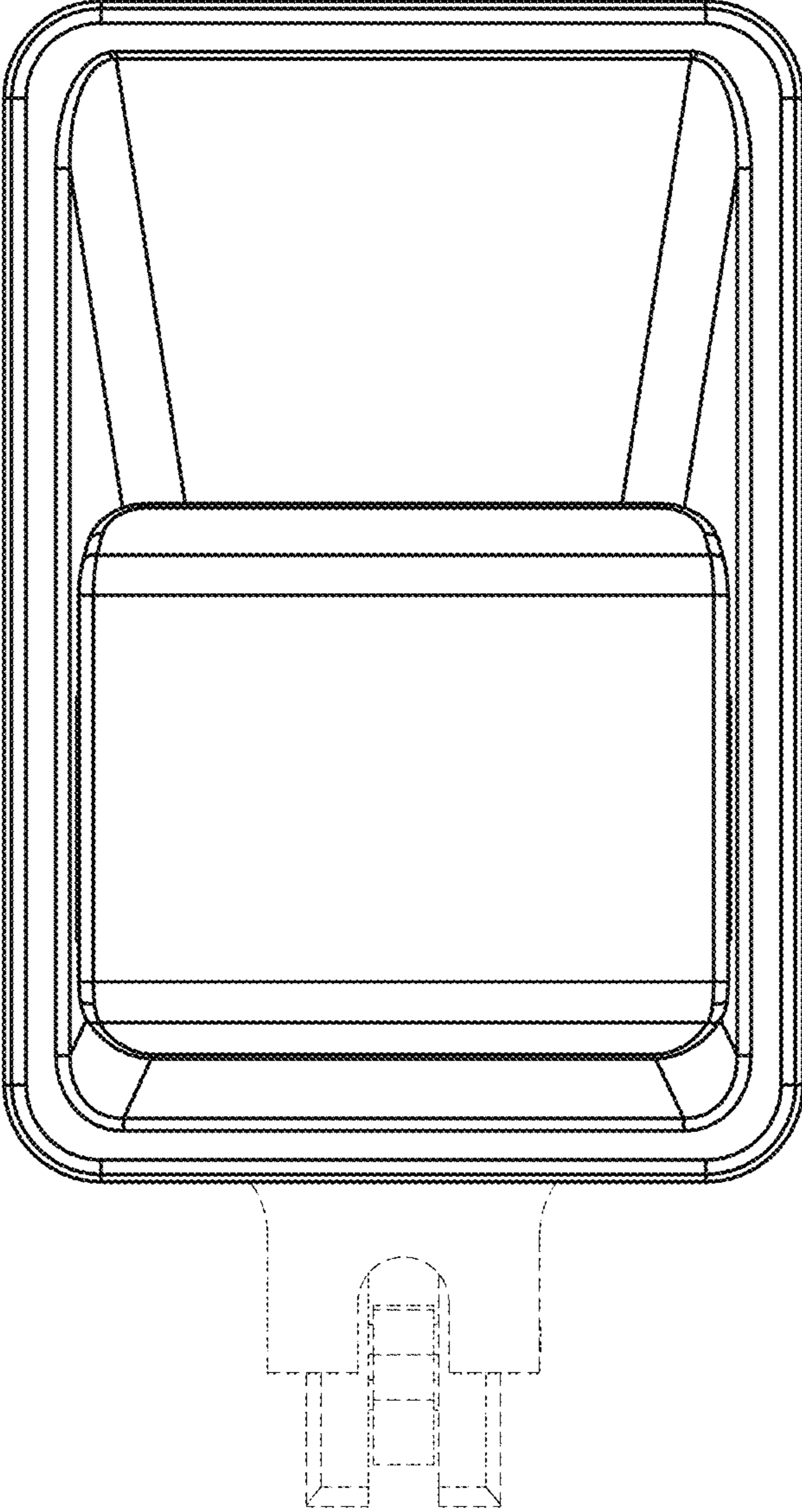


Fig. 2

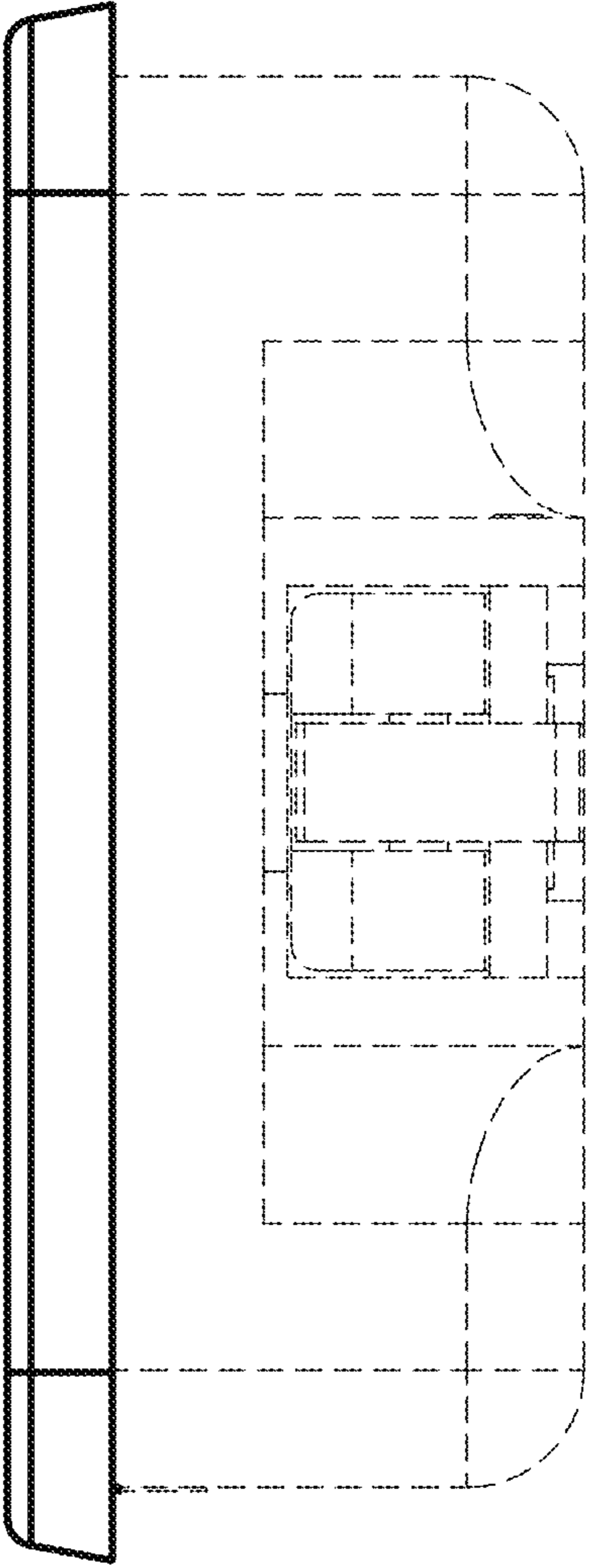


Fig. 3



Fig. 4

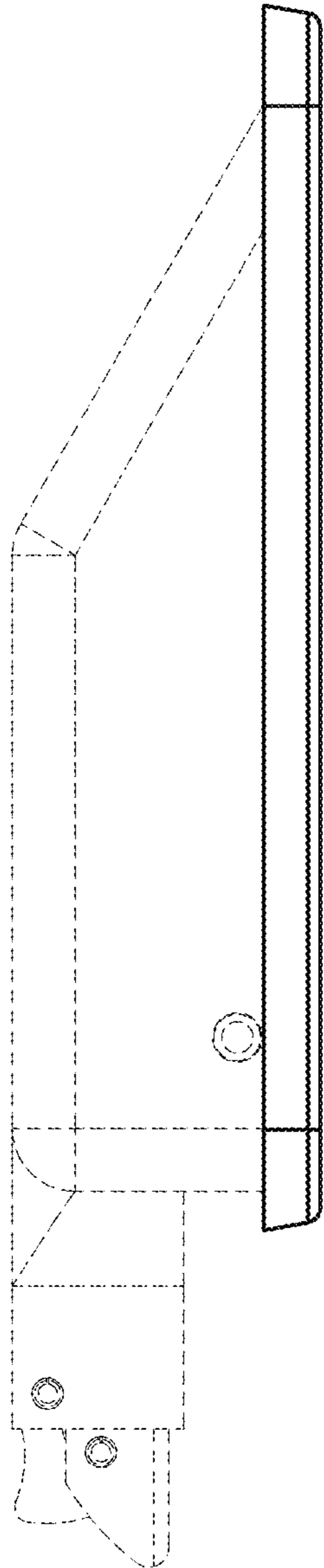


Fig. 5

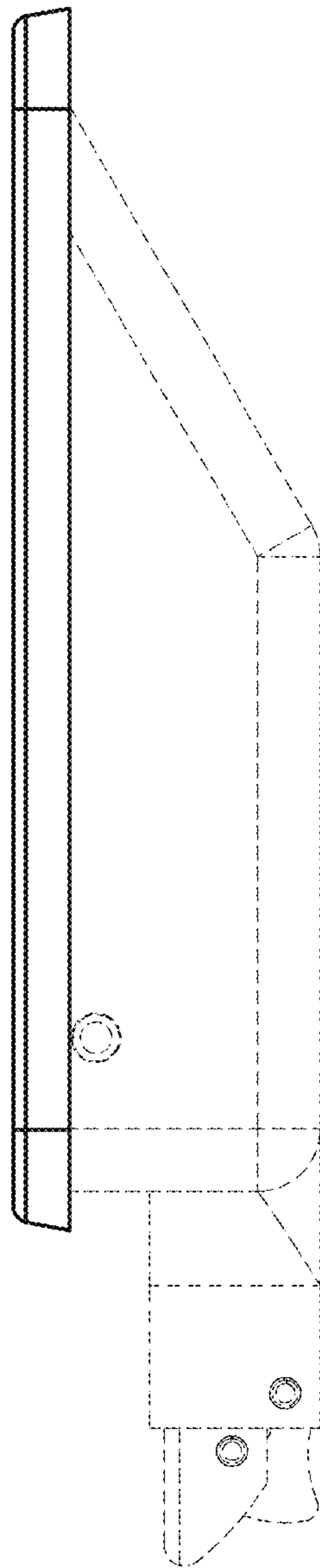


Fig. 6