



US00D850882S

(12) **United States Design Patent**
Lin

(10) **Patent No.:** **US D850,882 S**
(45) **Date of Patent:** **** Jun. 11, 2019**

(54) **MULTI-FUNCTION TOOL**

(71) Applicant: **NOOBO MANUFACTURE CO., LTD.**, Yangjiang, Guangdong (CN)

(72) Inventor: **Xueliang Lin**, Guangdong (CN)

(73) Assignee: **NOOBO MANUFACTURE CO., LTD.**, Dongcheng Town (CN)

(**) Term: **15 Years**

(21) Appl. No.: **29/611,396**

(22) Filed: **Jul. 20, 2017**

(51) **LOC (11) Cl.** **08-05**

(52) **U.S. Cl.**
USPC **D8/105**

(58) **Field of Classification Search**

USPC D8/105-107, 11, 26, 52, 54, 55, 75, 76,
D8/88, 89, 95, 99; D22/118; D15/133
CPC ... B25F 1/04; B25B 7/22; B25B 13/00; B25B
9/00; B25B 27/00; B25B 13/46; B26D
1/00; B25G 1/08; B25C 11/00; A46B
15/00
See application file for complete search history.

(56) **References Cited**

U.S. PATENT DOCUMENTS

D401,133 S *	11/1998	Gardiner	D8/105
D426,447 S *	6/2000	Chau	D8/105
D571,181 S *	6/2008	Klecker	D8/105
D596,911 S *	7/2009	Carpenter	D8/105
D626,810 S *	11/2010	Steineckert	B25F 1/04 D8/105
D635,002 S *	3/2011	Rivera	D8/105
D635,004 S *	3/2011	Rivera	D8/105
7,913,591 B2 *	3/2011	Nenadic	B25F 1/04 7/118
8,528,451 B2 *	9/2013	Steineckert	B25F 1/003 30/155
8,857,299 B2 *	10/2014	Huttula	B25F 1/003 7/128
D747,638 S *	1/2016	Hernandez	D8/105

(Continued)

OTHER PUBLICATIONS

Gerber Suspension Multi-Plier, Gerber, first available on Dec. 7, 2003 on amazon.com, retrieved on Oct. 5, 2018, retrieved from the Internet URL: https://www.amazon.com/Gerber-22-01471-Suspension-Multi-Plier/dp/B000EDPT9K/ref=sr_1_10?ie=UTF8&qid=1538747631&sr=8-10&keywords=multifunction+pliers.*

(Continued)

Primary Examiner — Jennifer Rivard
Assistant Examiner — Alison M Ofstun

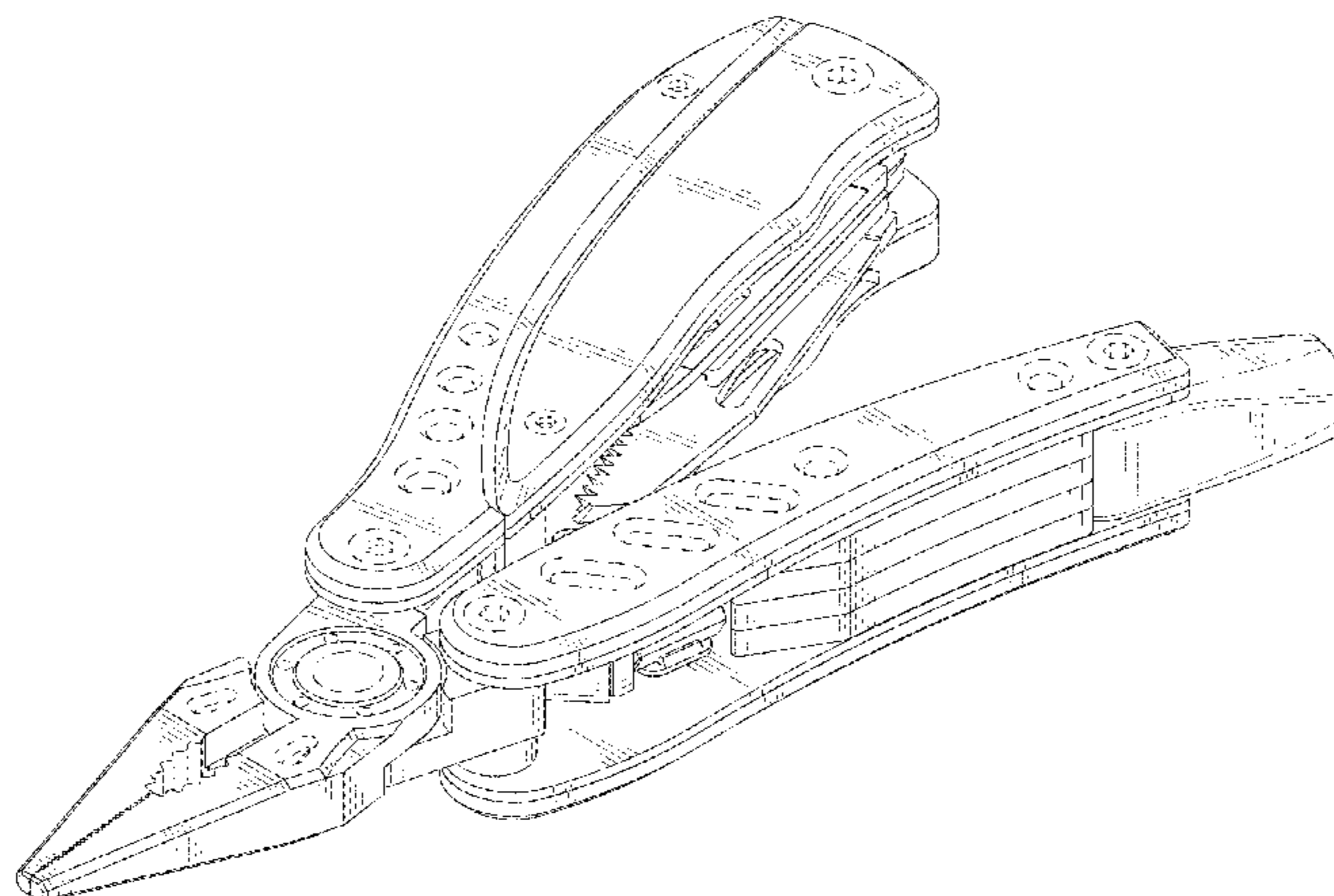
(57) **CLAIM**

The ornamental design for a multi-function tool, as shown and described.

DESCRIPTION

FIG. 1 is a first perspective view of a multi-function tool showing my new design;
FIG. 2 is a second perspective view thereof;
FIG. 3 is a front elevational view thereof;
FIG. 4 is a rear elevational view thereof;
FIG. 5 is a left side view thereof;
FIG. 6 is a right side view thereof;
FIG. 7 is a top plan view thereof;
FIG. 8 is a bottom plan view thereof;
FIG. 9 is a perspective view showing the multi-function tool in a position of use;
FIG. 10 is an enlarged view of the area identified as “10” in FIG. 5;
FIG. 11 is an enlarged view of the area identified as “11” in FIG. 5; and,
FIG. 12 is an enlarged view of the area identified as “12” in FIG. 6.
The broken lines in the drawings are included for the purpose of illustrating portions of the article which form no part of the claimed design.

1 Claim, 12 Drawing Sheets



(56)

References Cited

U.S. PATENT DOCUMENTS

9,682,469 B2 * 6/2017 Heise B25F 1/003
10,086,506 B2 * 10/2018 Purnomohadi B25F 1/003

OTHER PUBLICATIONS

Rexbeti Multitool Pocket Pliers, Rexbeti, first available on Jun. 21, 2018 on amazon.com, retrieved on Oct. 5, 2018, retrieved from the Internet URL: https://www.amazon.com/dp/B07DXH467Q/ref=sspa_dk_detail_5?psc=1&pd_rd_i=B07DXH467Q.*

* cited by examiner

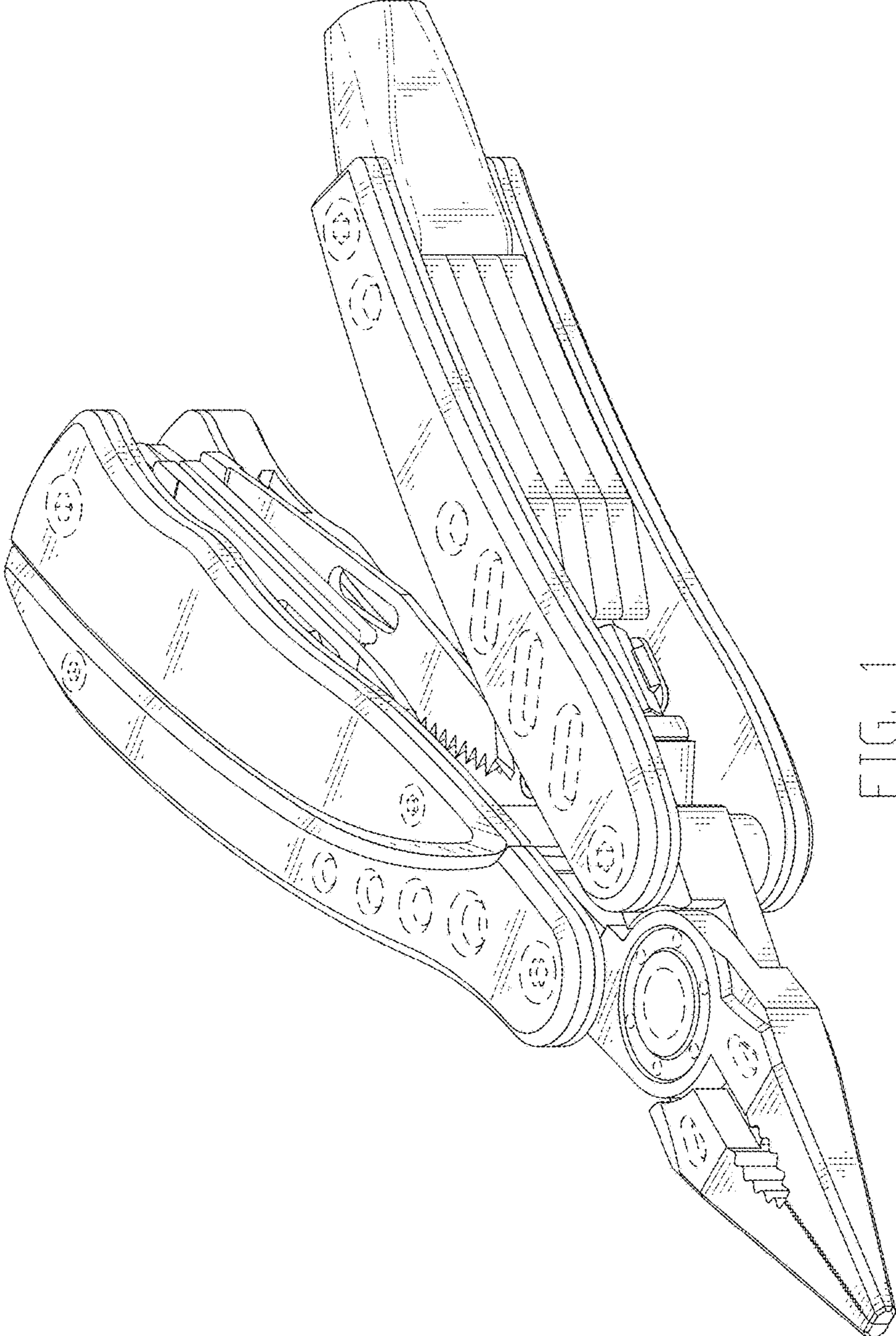


FIG. 1

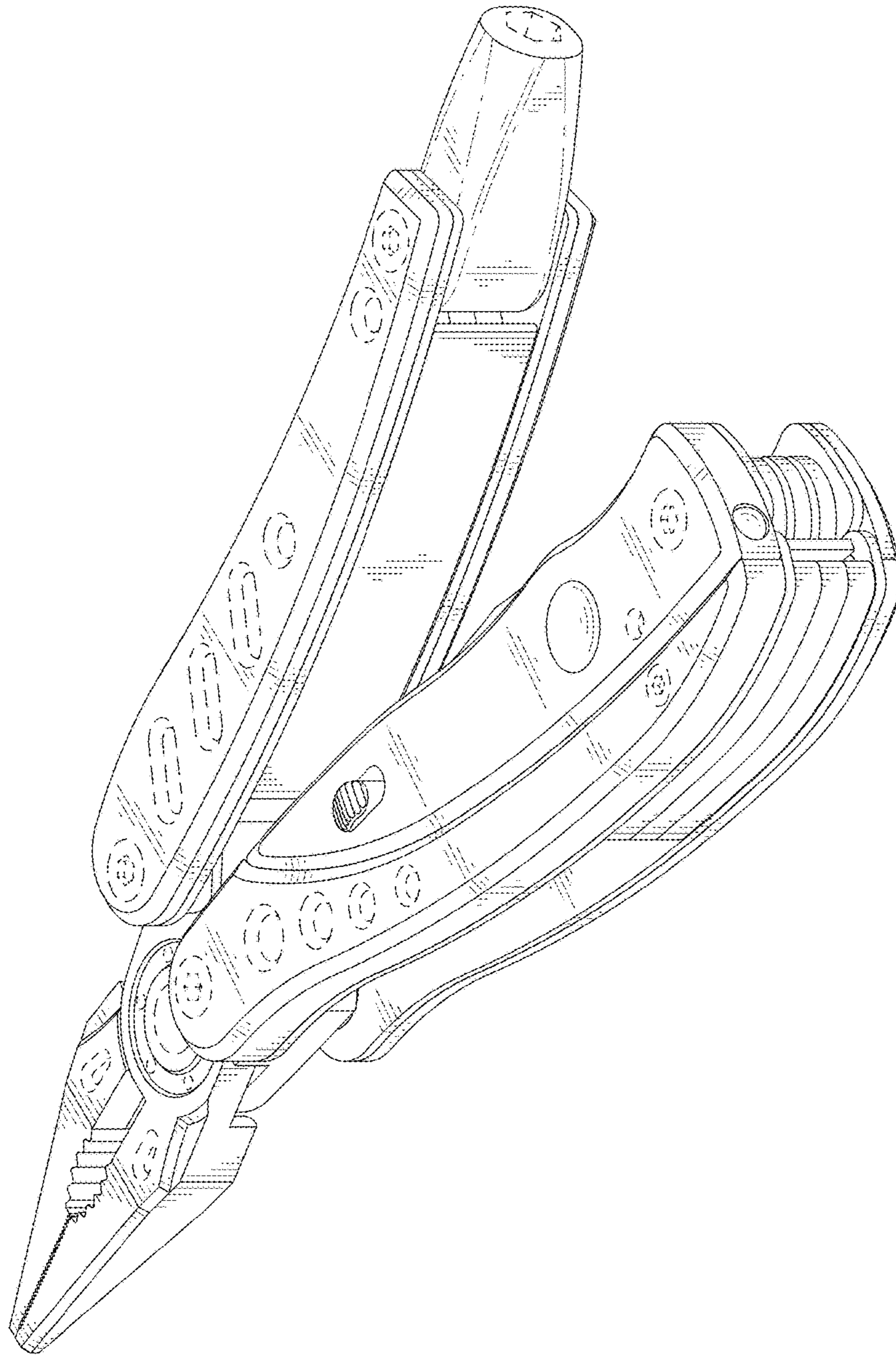


FIG. 2

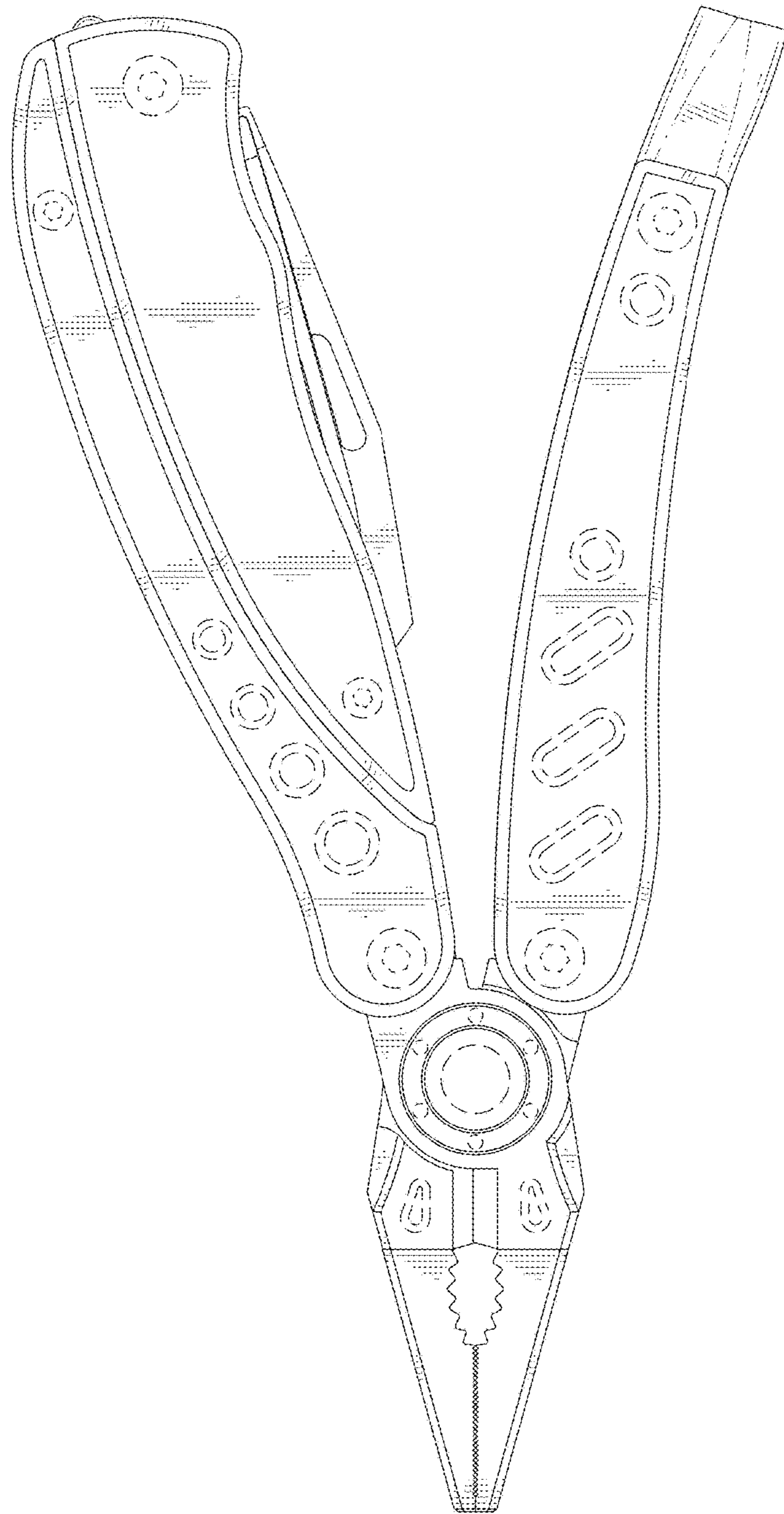


FIG. 3

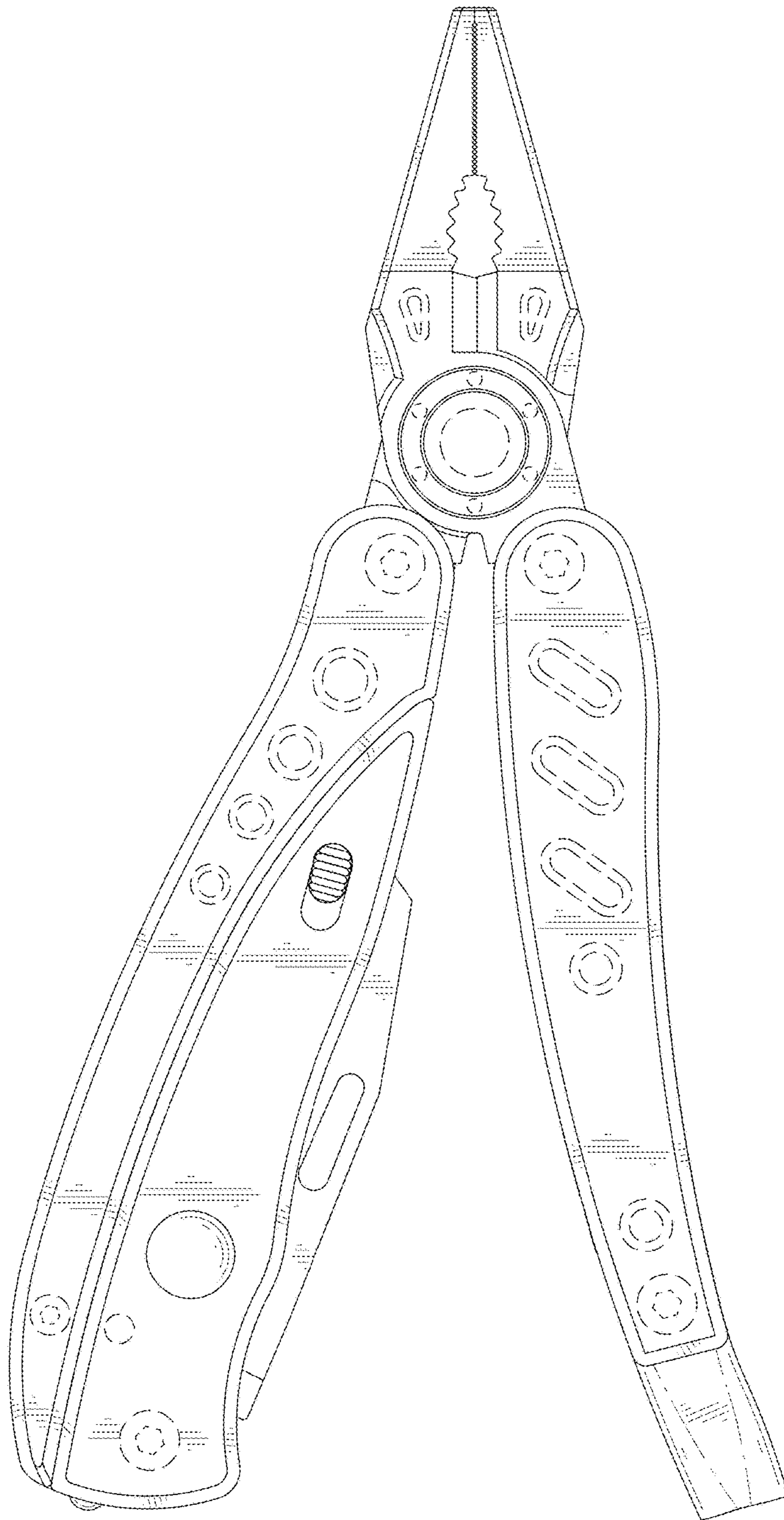


FIG. 4

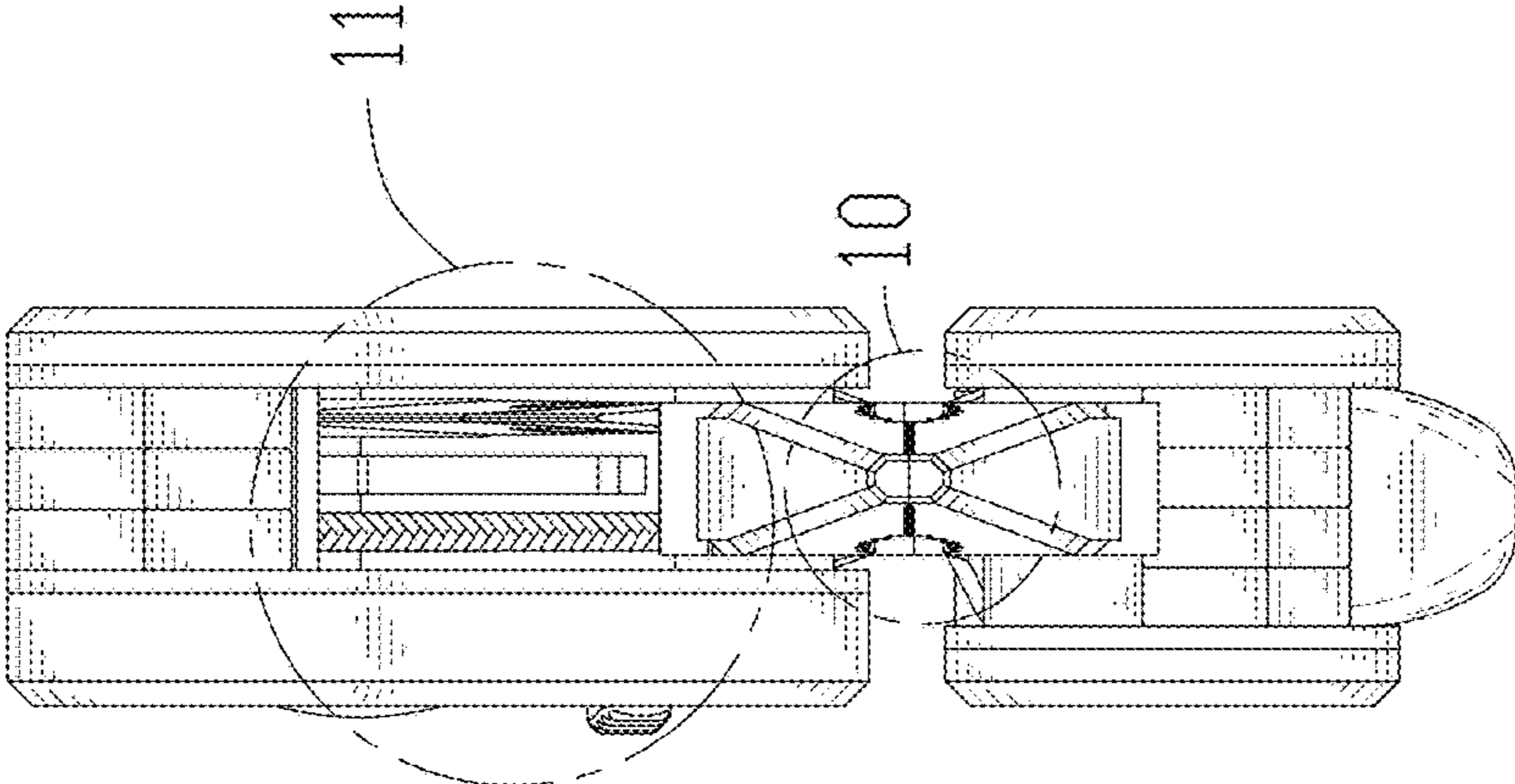


FIG. 5

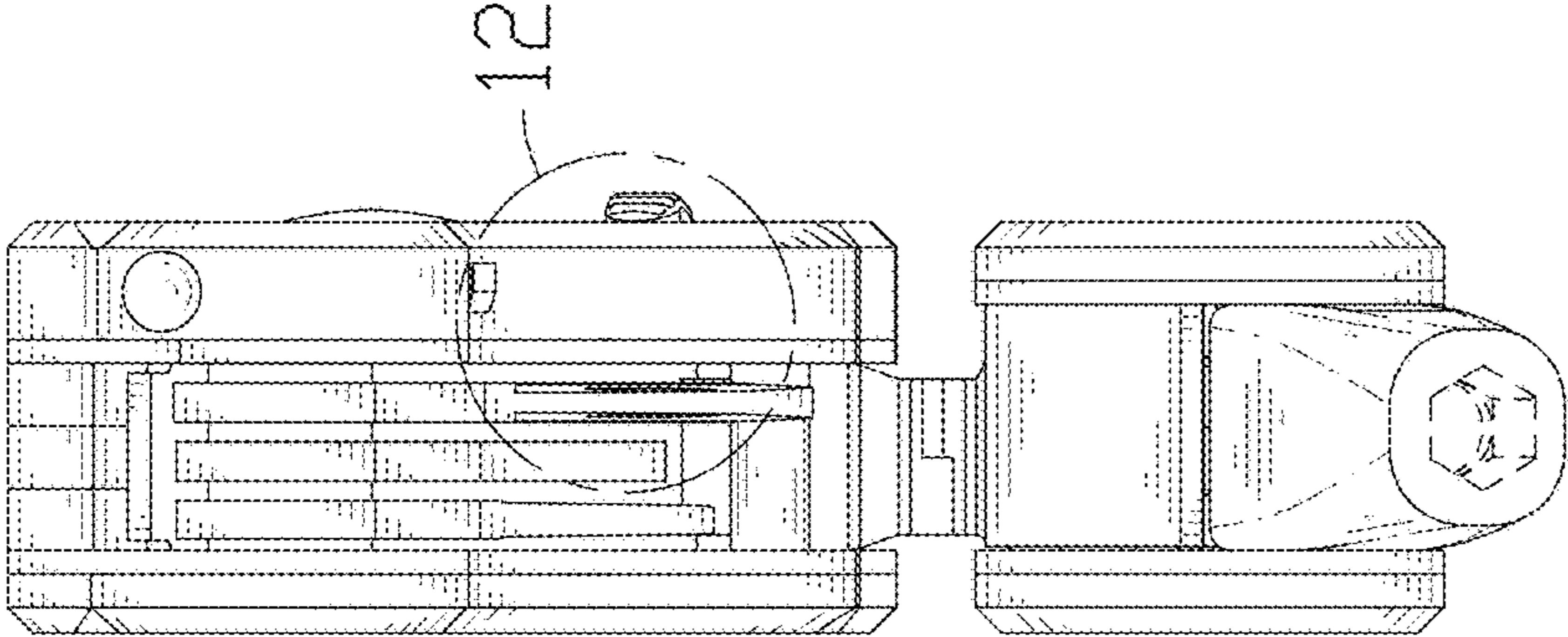


FIG. 6

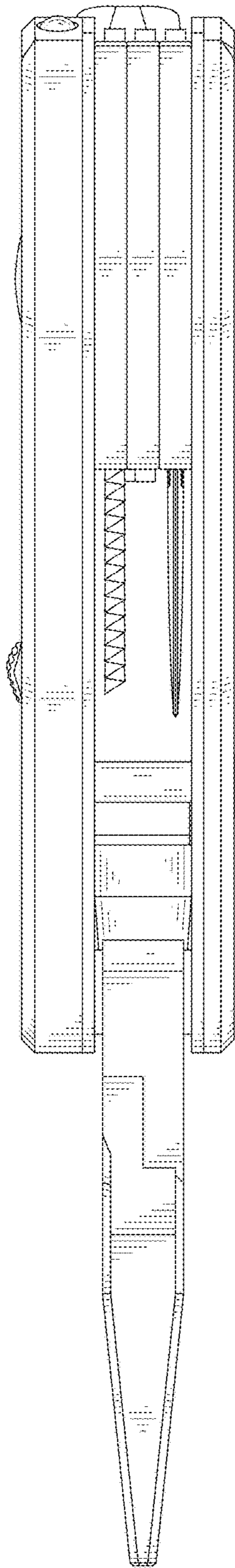


FIG. 7

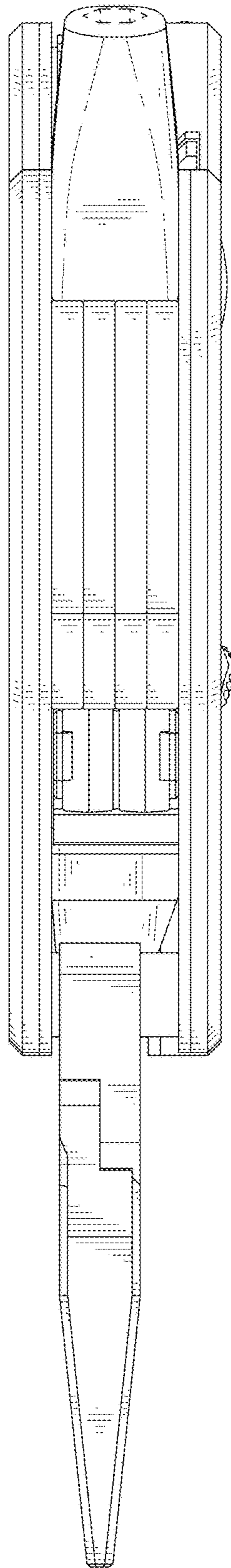


FIG. 8

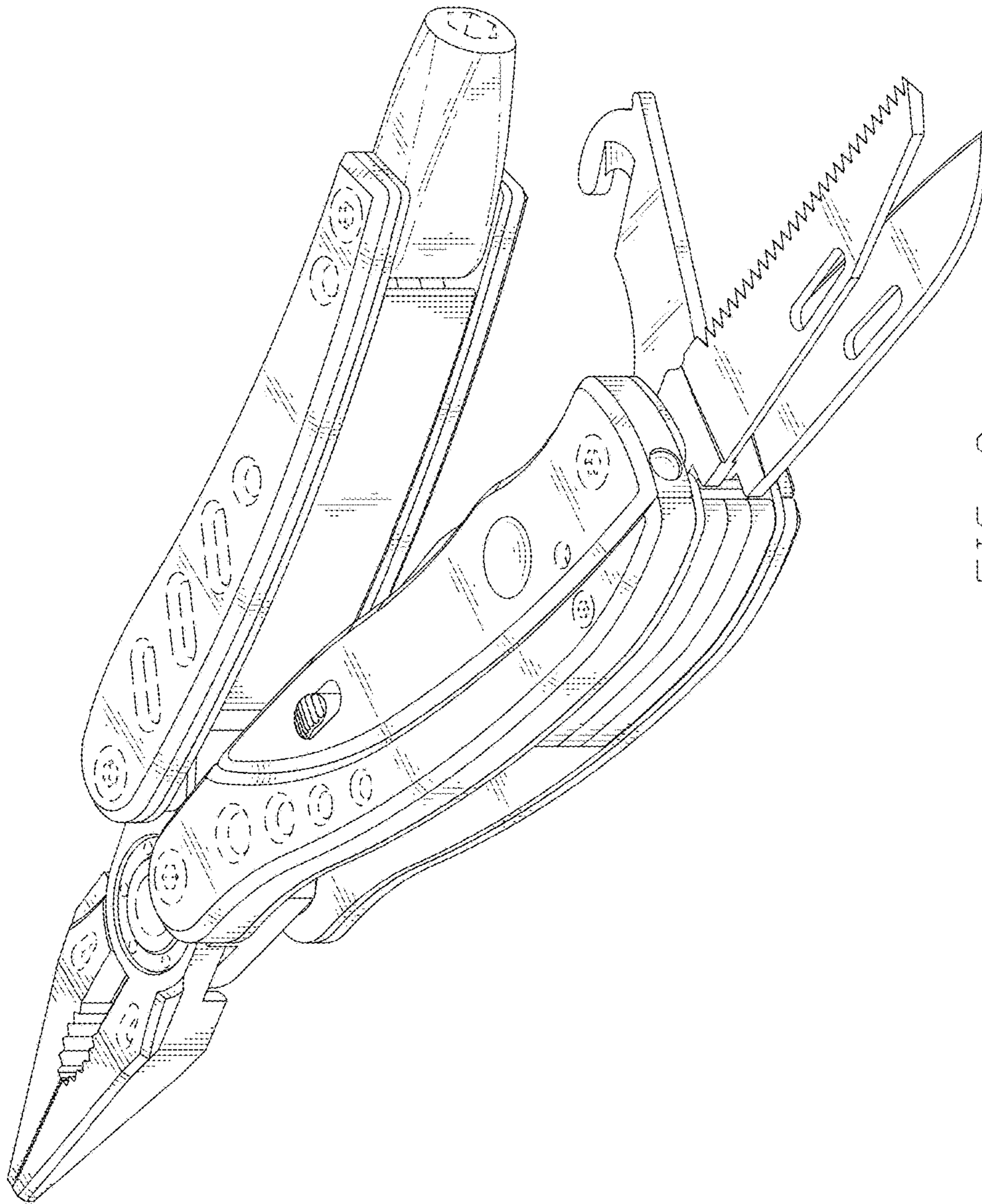


FIG. 9

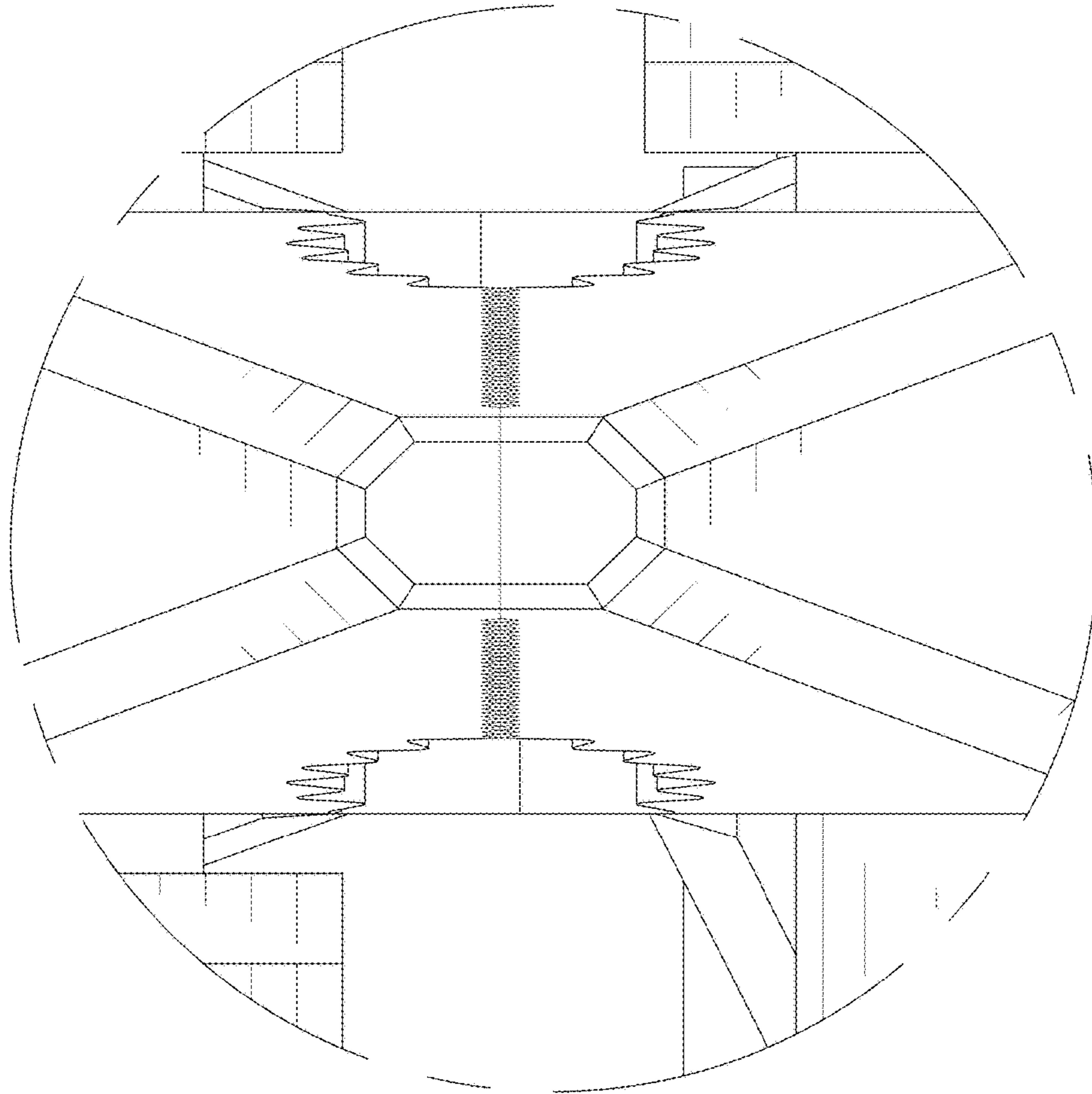


FIG. 10

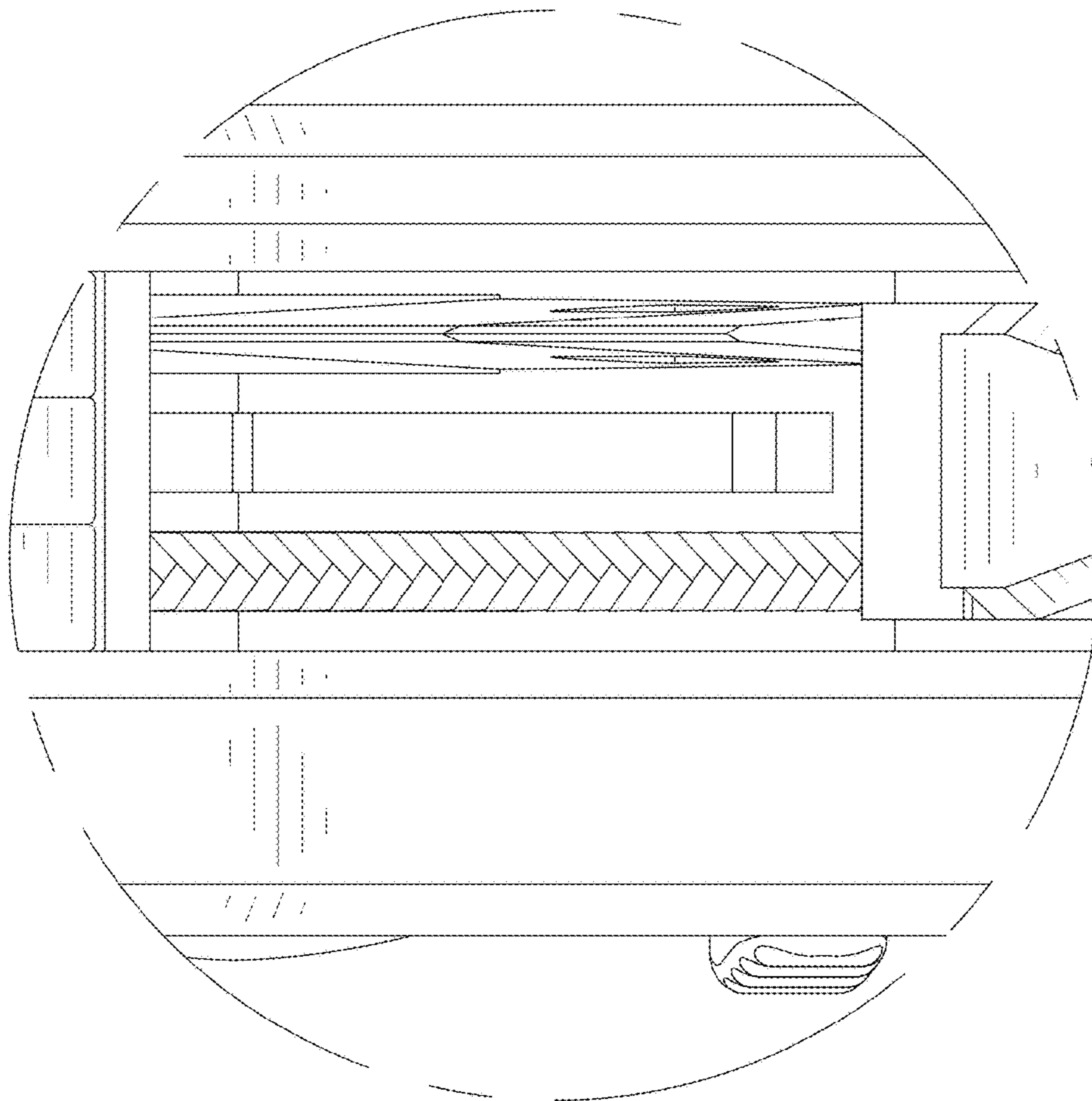


FIG. 11

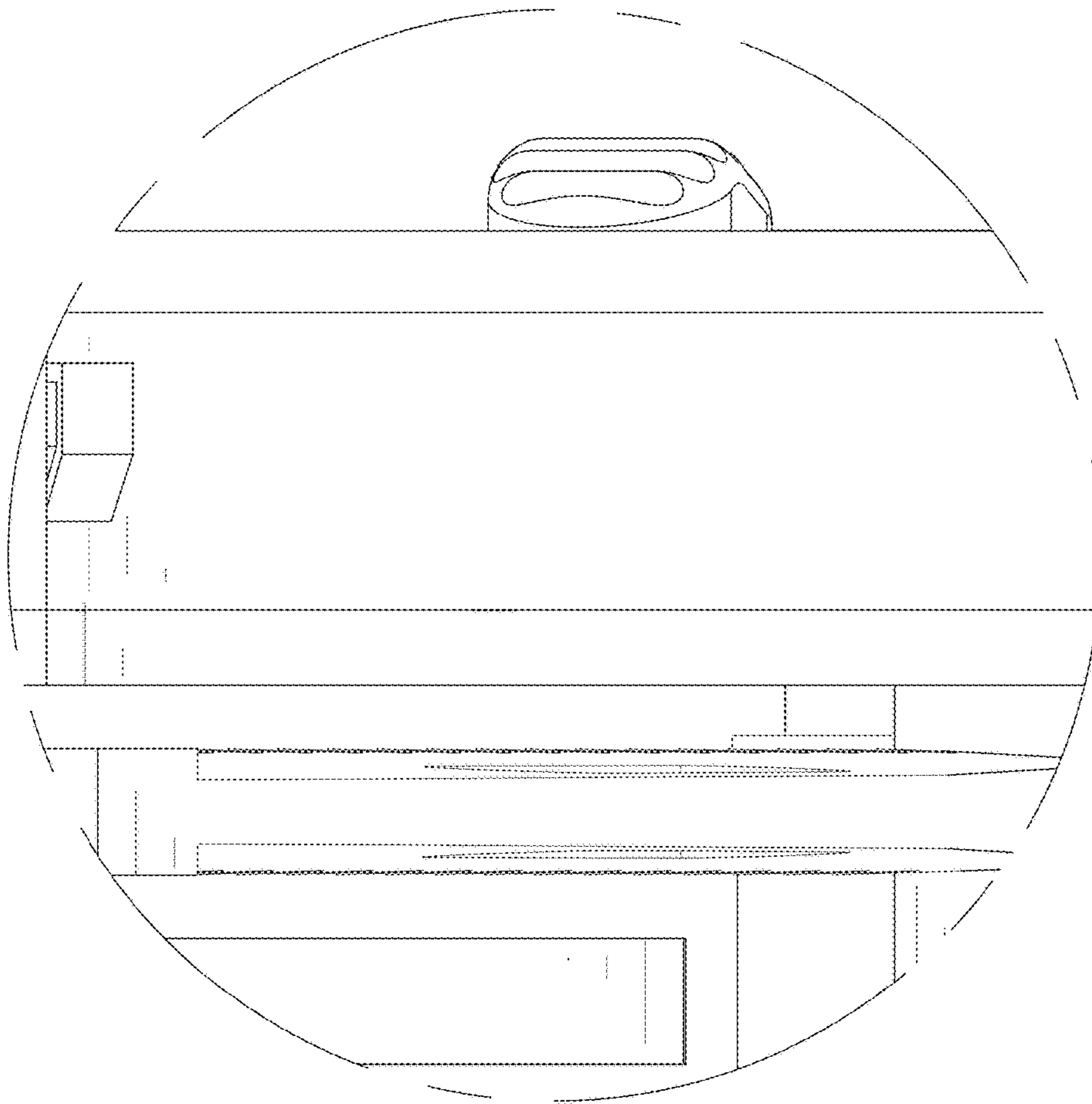


FIG. 12