



US00D850880S

(12) **United States Design Patent** (10) **Patent No.:** **US D850,880 S**
Walters et al. (45) **Date of Patent:** **** Jun. 11, 2019**

- (54) **BENCH DOG T-TRACK**
- (71) Applicants: **James D. Walters**, Aurora, IL (US);
Geoffrey W. Neubauer, Chicago, IL (US)
- (72) Inventors: **James D. Walters**, Aurora, IL (US);
Geoffrey W. Neubauer, Chicago, IL (US)

4,245,827 A	1/1981	Goff et al.	
4,470,586 A	9/1984	Spencer	
4,475,728 A	10/1984	Haddad	
D278,024 S *	3/1985	Hoffman	81/3.55
4,989,654 A	2/1991	Berkeley	
5,443,554 A	8/1995	Robert	
5,584,254 A	12/1996	Williams	
5,617,909 A	4/1997	Duginske	
6,394,712 B1	5/2002	Weinstein et al.	
6,932,335 B1	8/2005	Dykstra	

(Continued)

- (73) Assignee: **Nomis LLC**, Palatine, IL (US)
- (**) Term: **15 Years**

- (21) Appl. No.: **29/624,665**
- (22) Filed: **Nov. 2, 2017**
- (51) **LOC (11) Cl.** **08-08**
- (52) **U.S. Cl.**
USPC **D8/73; D8/355**
- (58) **Field of Classification Search**
USPC D8/73, 394, 396, 355, 72; D10/74, 103;
D15/141
CPC F16B 2/00; F16B 2/005; F16B 2/02; F16B
2/04; F16B 2/06; F16B 2/065; F16B
2/08; F16B 2/12; F16B 2/14; F16B 2/16;
F16B 2/18; F16B 2/185
See application file for complete search history.

(56) **References Cited**
U.S. PATENT DOCUMENTS

1,026,475 A	5/1912	Tarback	
1,954,708 A	4/1934	Mass	
2,577,029 A	12/1951	Moorehead	
2,627,787 A	2/1953	Zitner	
2,658,540 A	11/1953	Sobaski	
2,705,441 A	4/1955	Armstrong	
2,983,289 A	5/1961	McKinley	
2,988,122 A	6/1961	Stevens et al.	
3,124,347 A	3/1964	Haddad	
D228,224 S *	8/1973	Schanger	D8/18
3,984,092 A	10/1976	Fitzpatrick	

OTHER PUBLICATIONS

Bench clamp, Product 1, known prior to Nov. 2, 2017.
(Continued)

Primary Examiner — David G Muller
Assistant Examiner — Nathan M Johnston
(74) *Attorney, Agent, or Firm* — Reinhart Boerner Van
Deuren P.C.

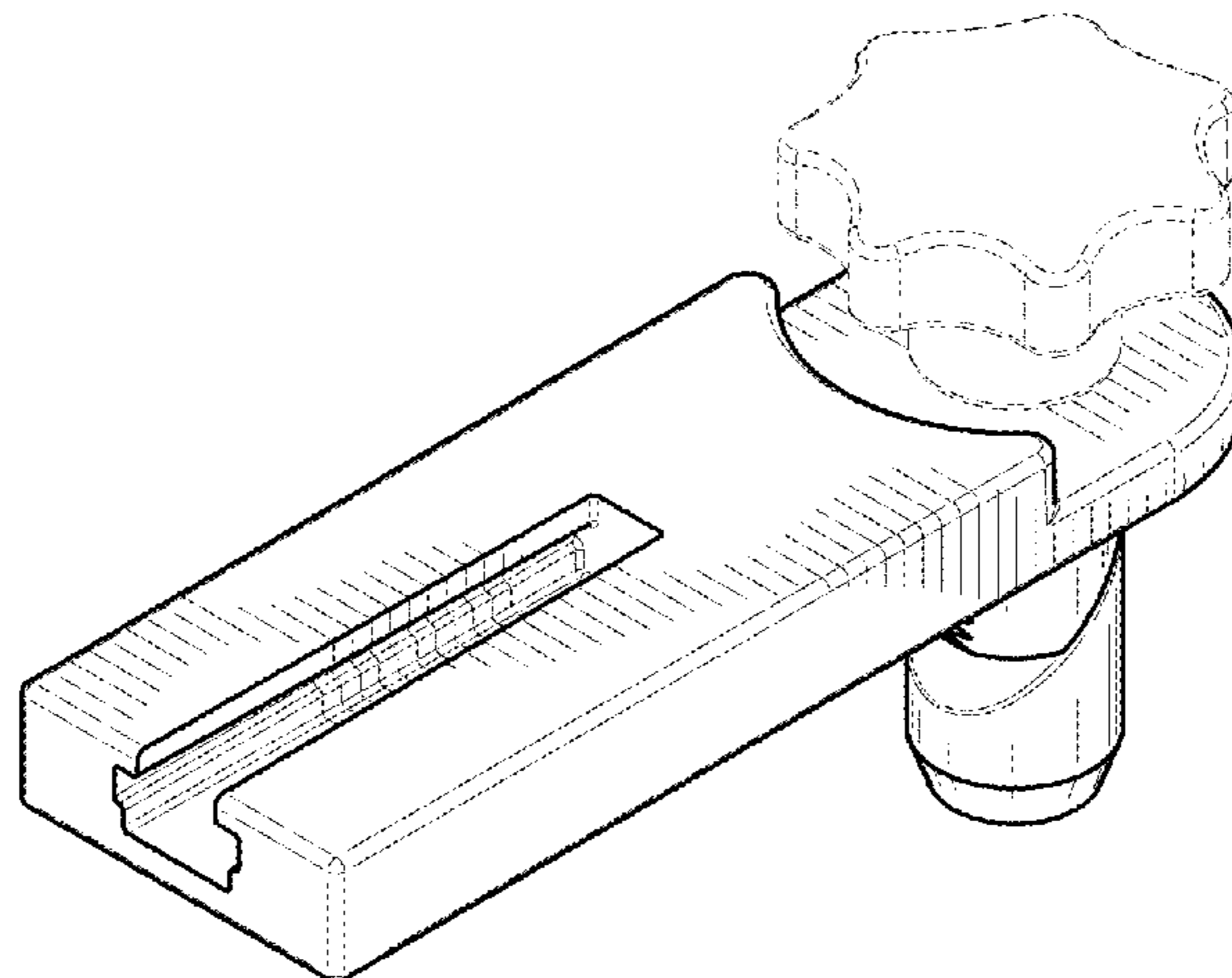
(57) **CLAIM**

We claim the ornamental design for the bench dog T-track, as shown and described.

DESCRIPTION

FIG. 1 is a top perspective view of the bench dog T-track showing our new design;
FIG. 2 is a bottom perspective view thereof;
FIG. 3 is a side elevation view thereof;
FIG. 4 is a rear elevation view thereof;
FIG. 5 is a bottom plan view thereof;
FIG. 6 is a top plan view thereof;
FIG. 7 is an opposite side elevation view thereof;
FIG. 8 is a front elevation view thereof; and,
FIG. 9 is a cross-sectional illustration thereof taken about cut-line 9-9 in FIG. 5.
The broken lines show portions of the design that form no part of the claimed design.

1 Claim, 3 Drawing Sheets



(56)

References Cited

U.S. PATENT DOCUMENTS

7,272,994	B1 *	9/2007	Johnson	B25B 9/00 81/13
D561,008	S	2/2008	Jones		
D627,614	S *	11/2010	Flint	D8/18
7,922,130	B2 *	4/2011	Hawkins	F16L 3/00 248/346.01
7,980,538	B1	7/2011	Weiby		
8,104,754	B1	1/2012	Clark		
8,469,343	B2	6/2013	Clark		
D687,693	S *	8/2013	Caudle	D8/40
9,120,205	B2	9/2015	Clark		
9,211,635	B2	12/2015	Poole		
9,475,197	B1 *	10/2016	McAuley	B25J 1/02
D782,928	S *	4/2017	Takakuwa	D10/103
D782,929	S *	4/2017	Takakuwa	D10/103
D782,930	S *	4/2017	Takakuwa	D10/103
D782,931	S *	4/2017	Takakuwa	D10/103
2005/0077666	A1 *	4/2005	Chang	B25B 7/02 269/6
2007/0267799	A1	11/2007	Dykstra		
2016/0046001	A1 *	2/2016	Clark	B25B 5/003 269/100

OTHER PUBLICATIONS

Bench clamp, Product 2, known prior to Nov. 2, 2017.
 Bench clamp, Product 3, known prior to Nov. 2, 2017.
 Bench clamp, Product 4, known prior to Nov. 2, 2017.
 Bench clamp, Product 5, known prior to Nov. 2, 2017.
 Bench clamp shown with high-profile horizontal clamp, Product 6, known prior to Nov. 2, 2017.
 Peachtree Woodworking Supply Inc.; Kreg Bench Clamps; pages from the internet; date last visited Feb. 1, 2018; https://www.ptreeusa.com/clamp_bench.htm.
 Kreg Tool Company; Bench Clamp Base; pages from the internet; date last visited Feb. 1, 2018; <https://www.kregtool.com/store/c29/bench-clamps/p433/bench-clamp-base/>.
 Peachtree Woodworking Supply Inc.; Kreg Bench Dogs; pages from the internet; date last visited Feb. 1, 2018; https://www.ptreeusa.com/clamp_bench_dogs.htm.
 Peachtree Woodworking Supply Inc.; Clamps & Accessories; pages from the internet; date last visited Feb. 2, 2018; https://www.ptreeusa.conn/clamp_brand_kreg.htm.

* cited by examiner

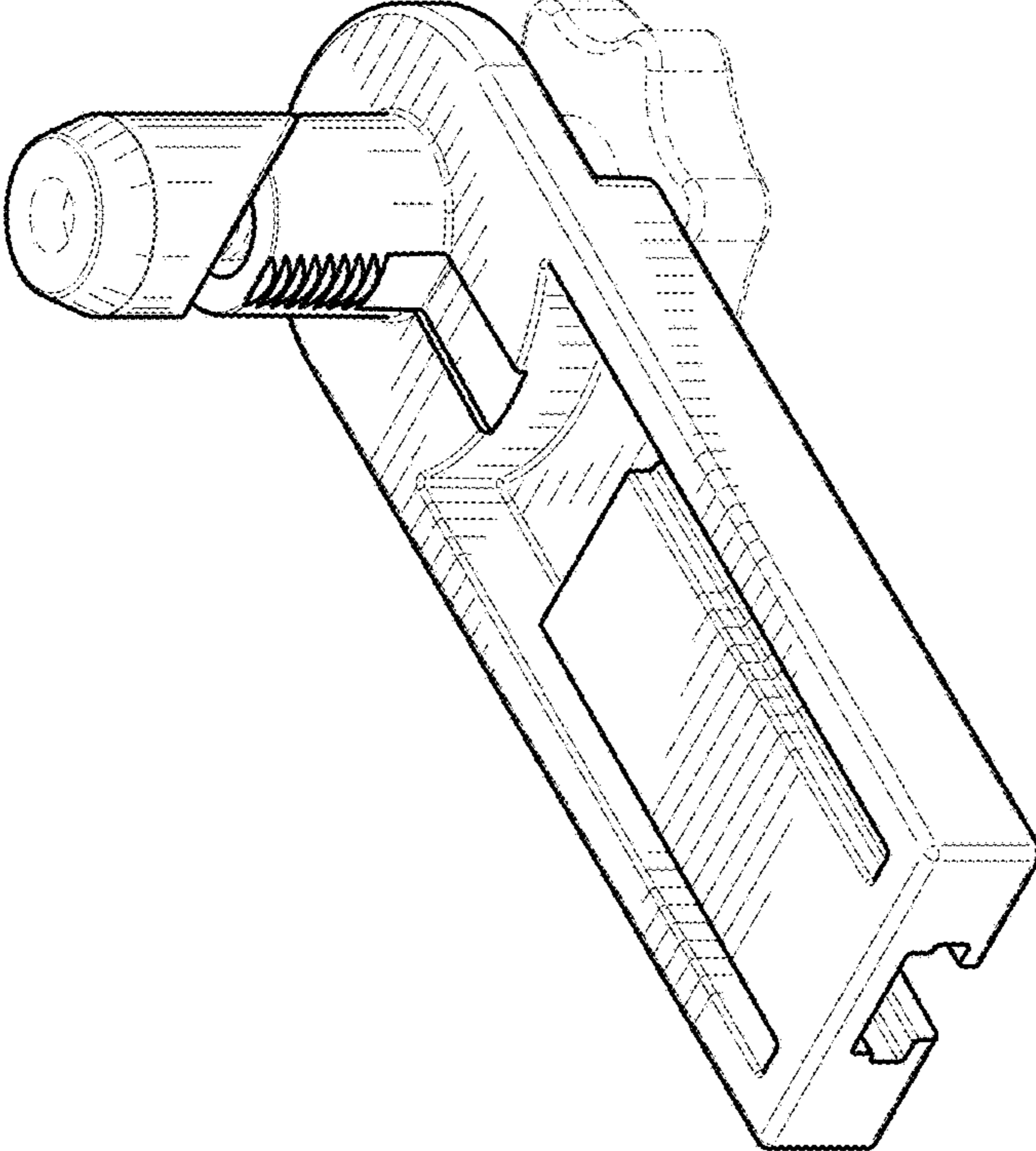


FIG. 2

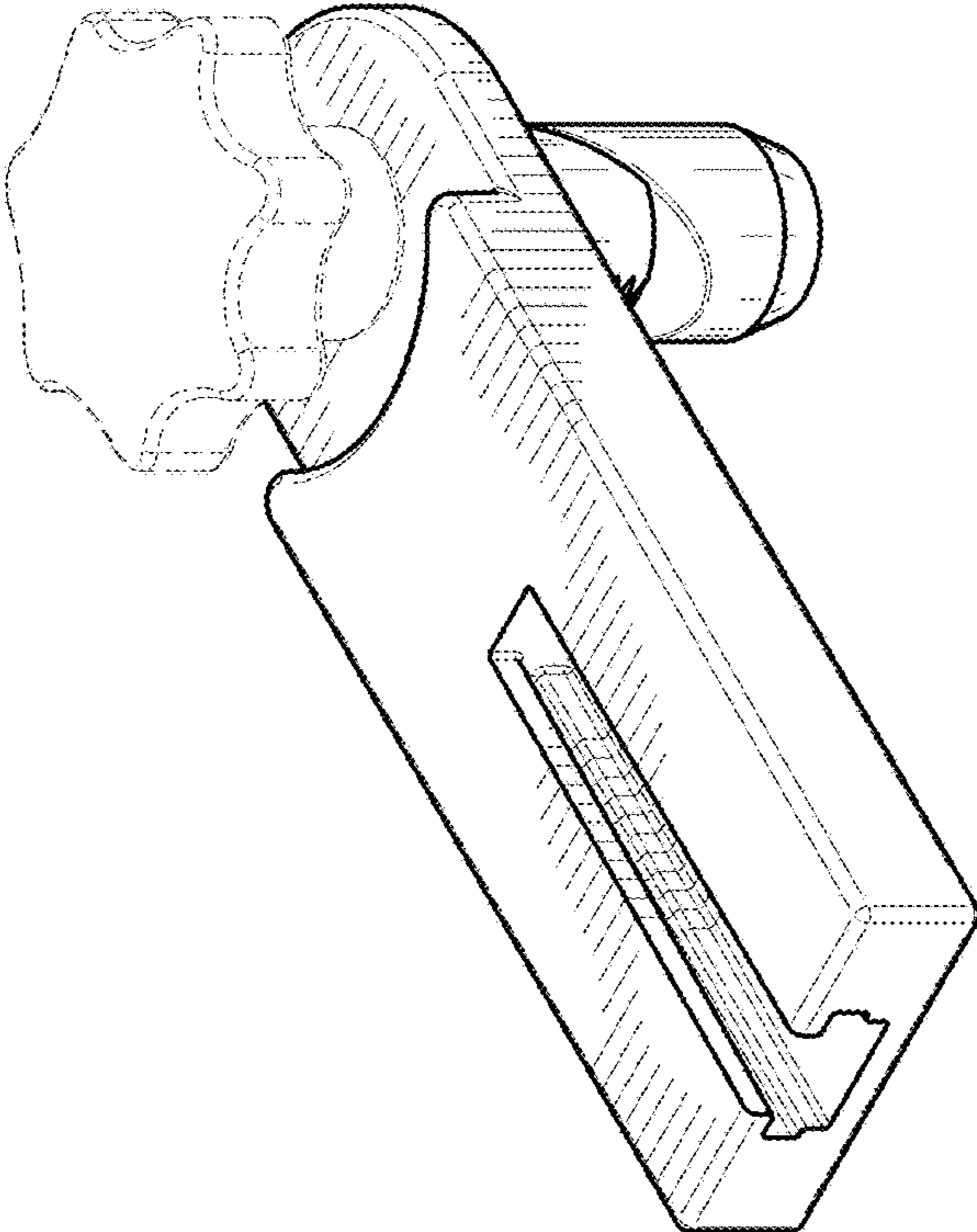


FIG. 1

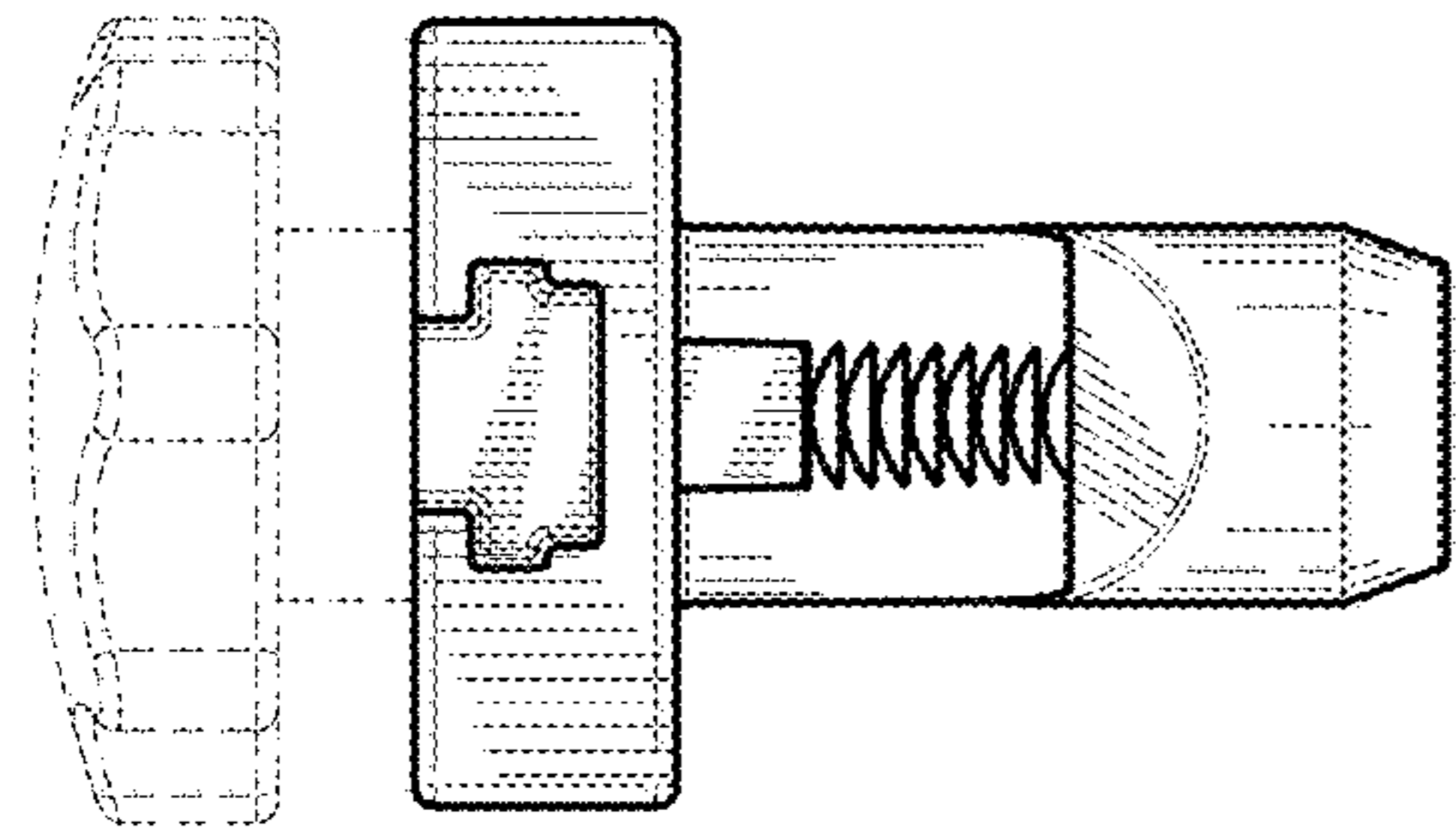


FIG. 4

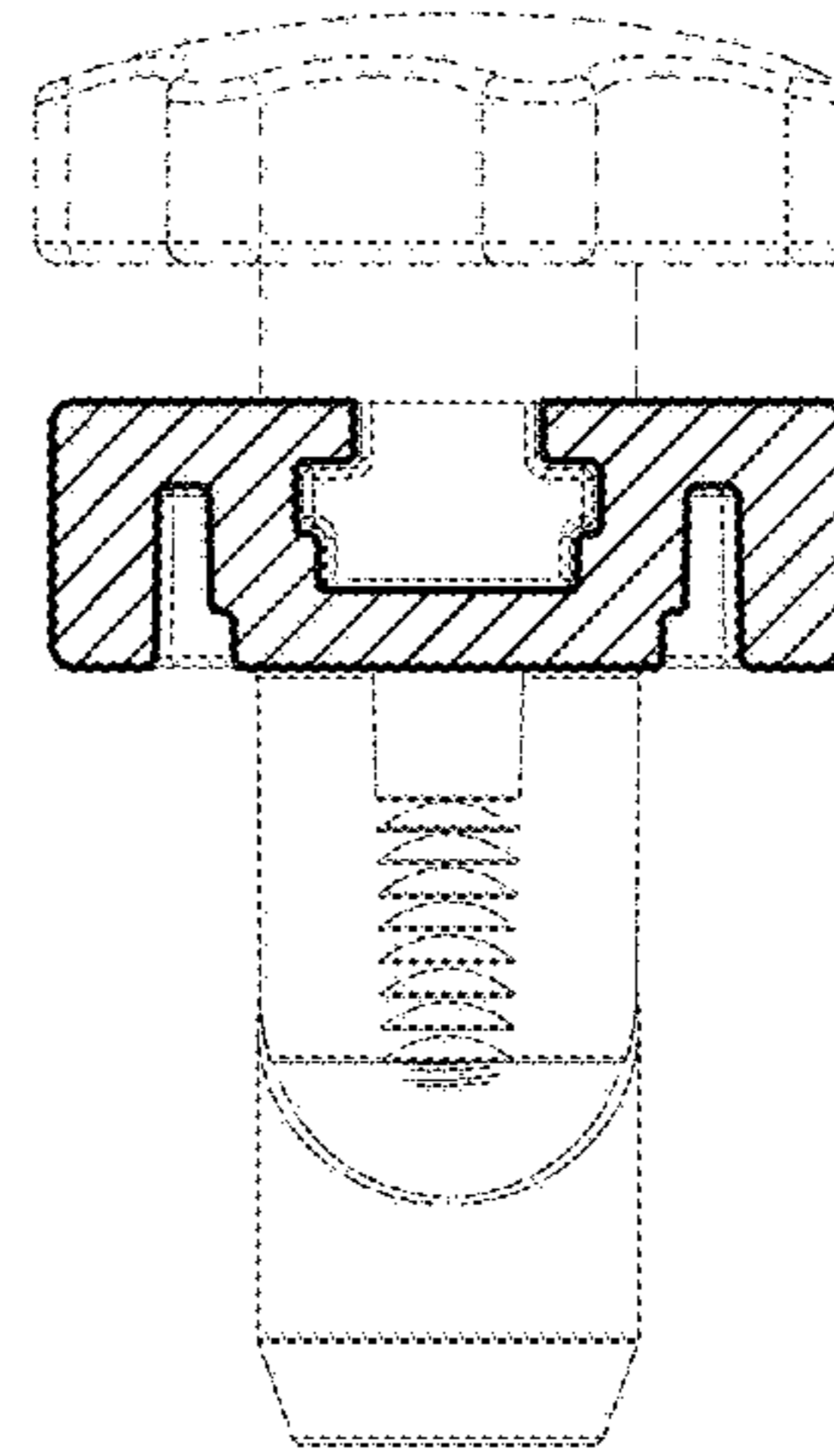


FIG. 9

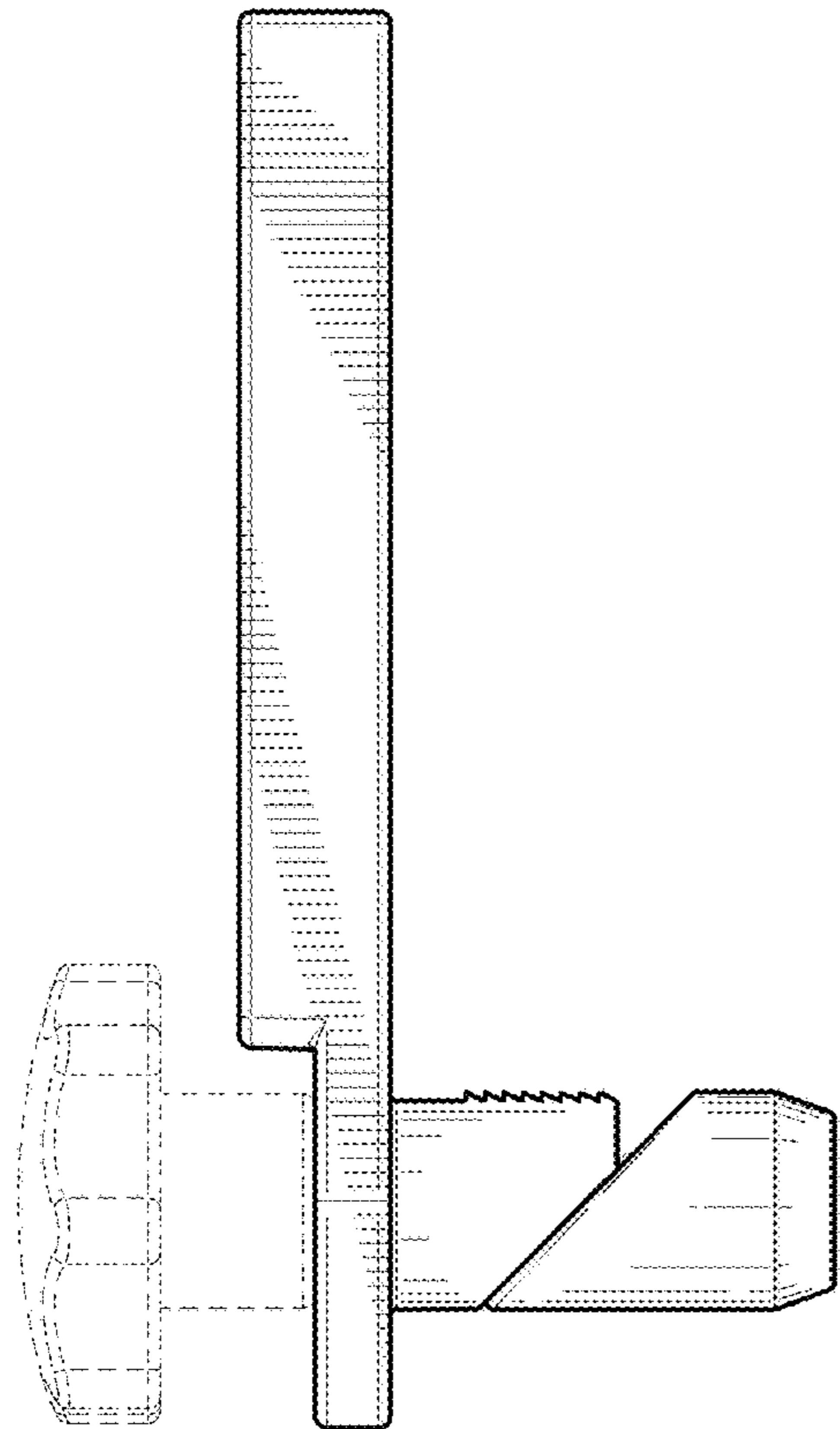


FIG. 3

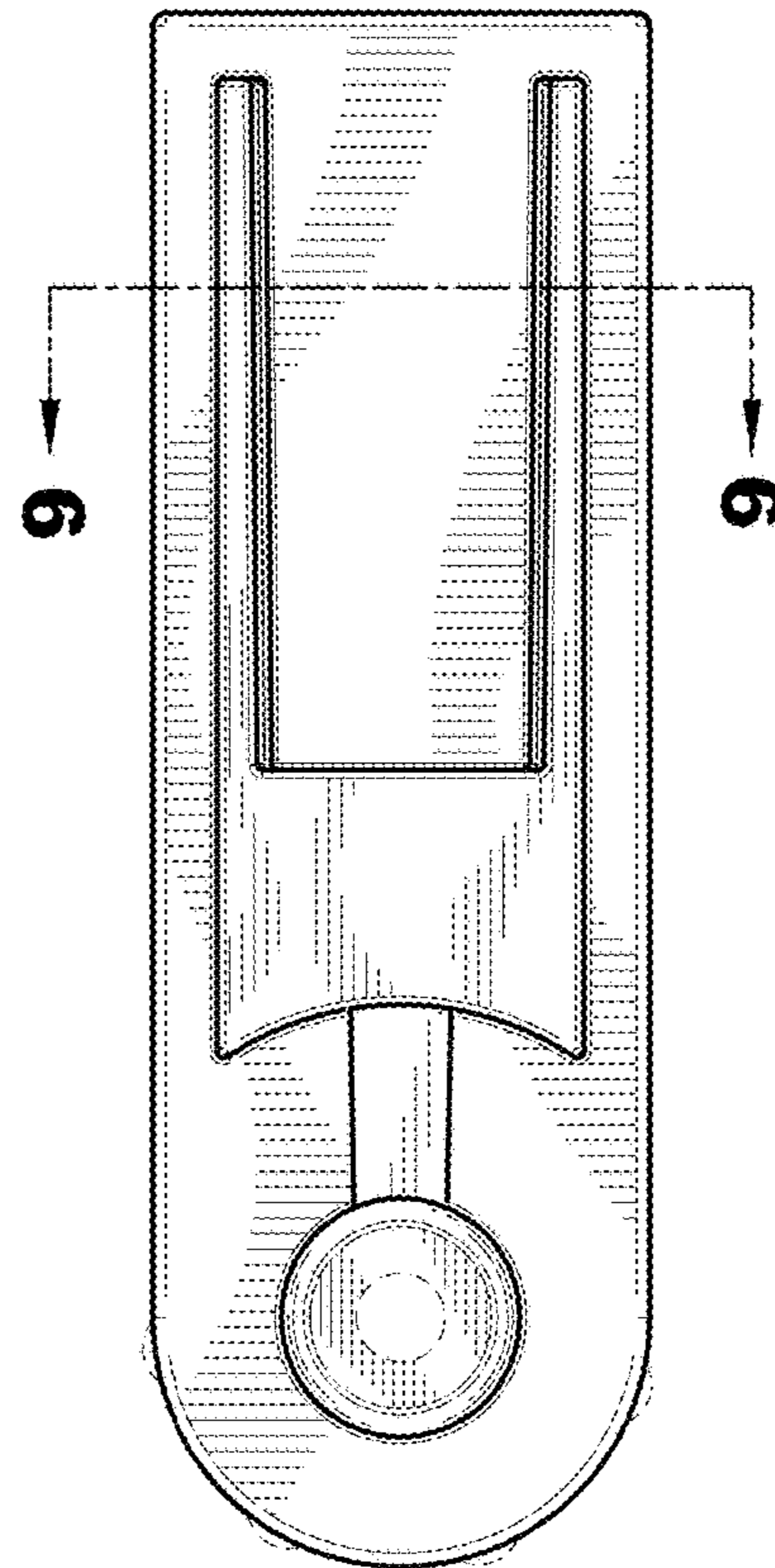


FIG. 5

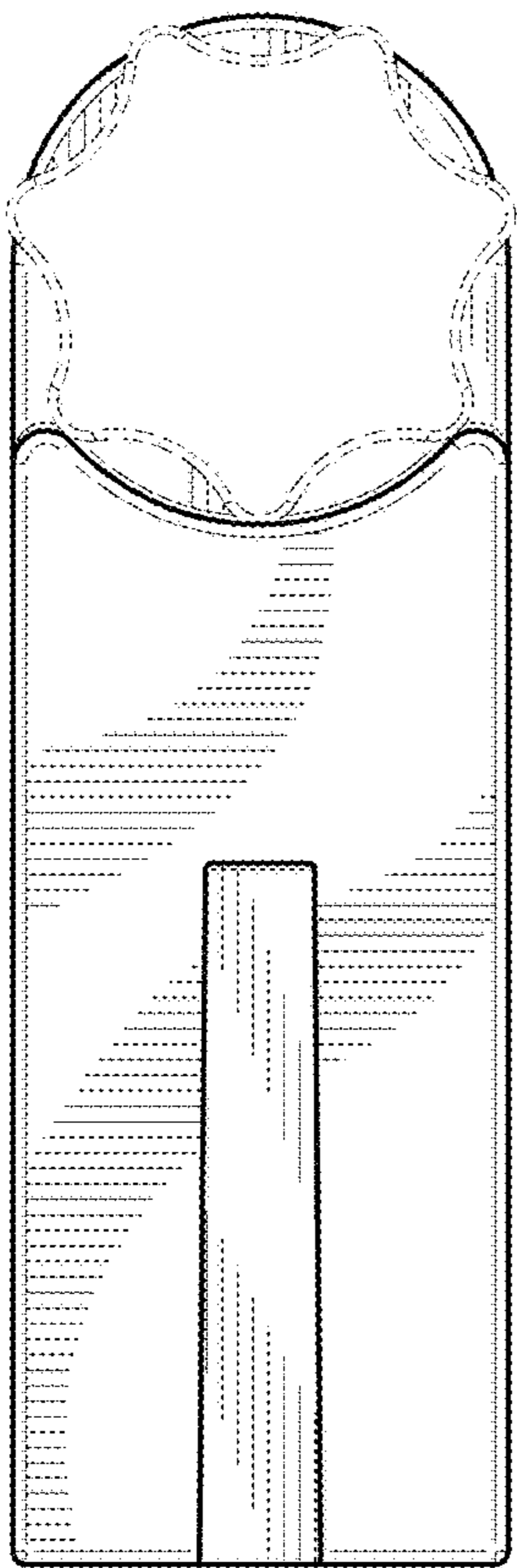


FIG. 6

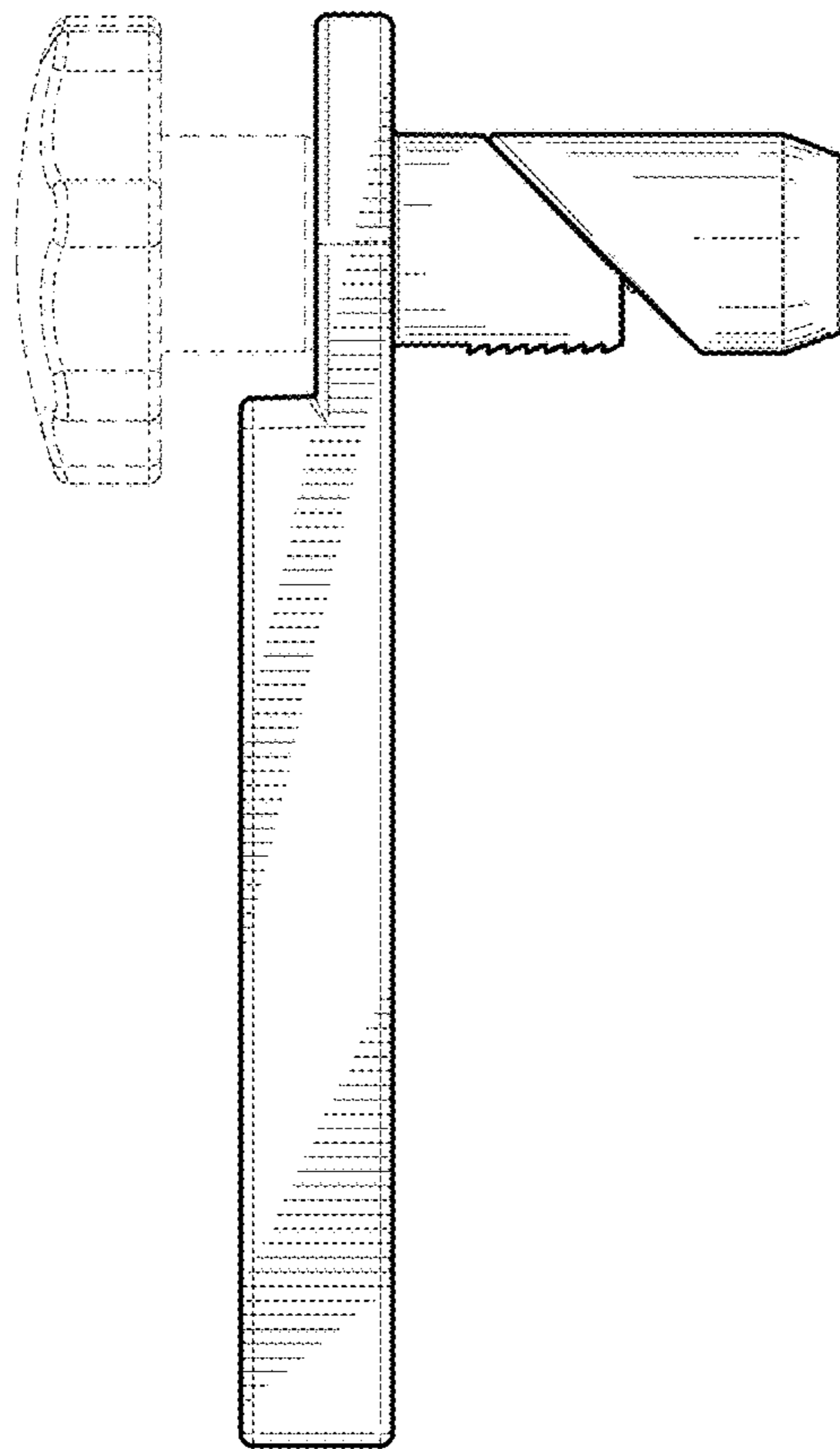


FIG. 7

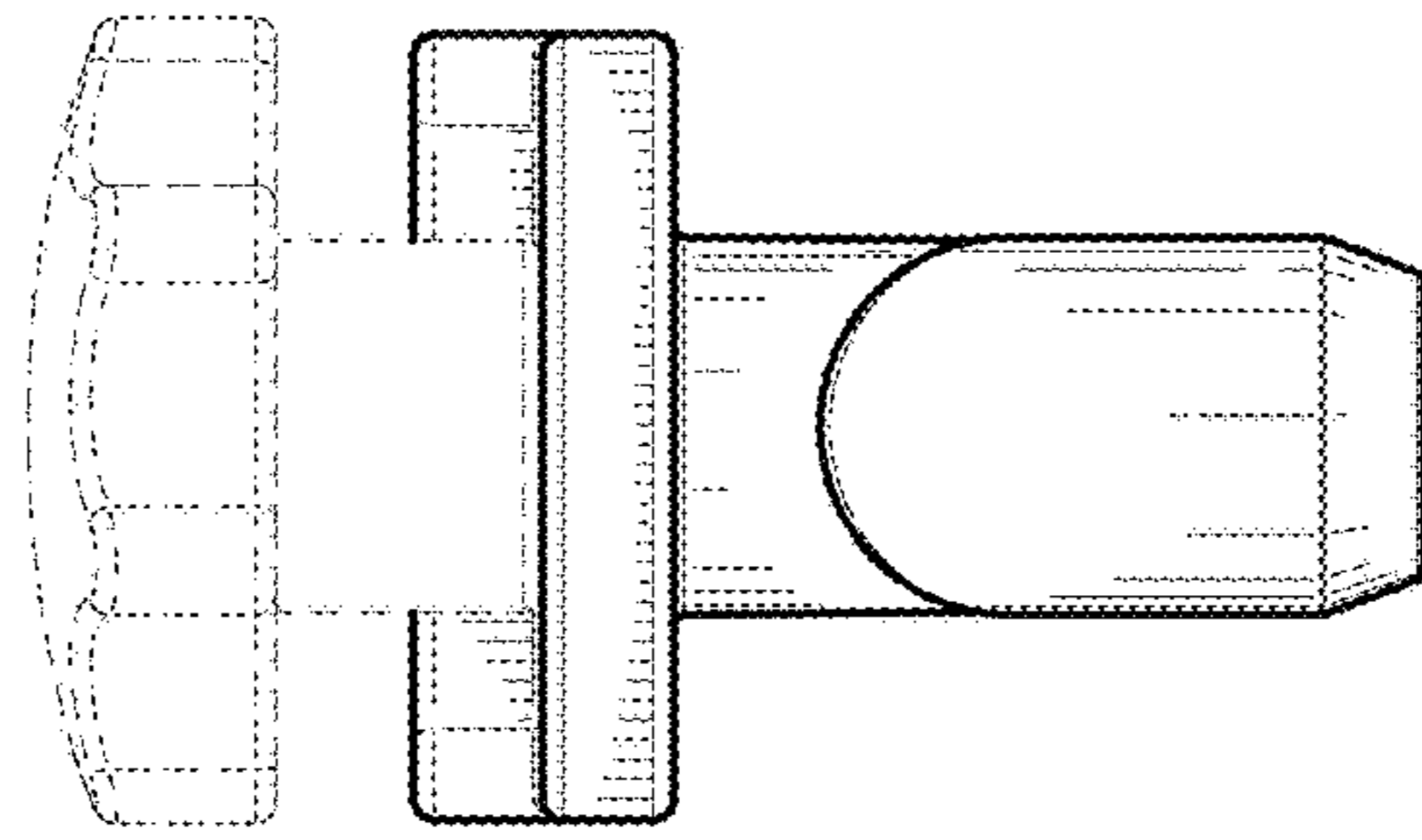


FIG. 8