



US00D850879S

(12) **United States Design Patent**
Wong

(10) **Patent No.:** **US D850,879 S**

(45) **Date of Patent:** **** Jun. 11, 2019**

- (54) **CLAMP**
- (71) Applicant: **Harry Wong**, South Pasadena, CA (US)
- (72) Inventor: **Harry Wong**, South Pasadena, CA (US)
- (**) Term: **15 Years**
- (21) Appl. No.: **29/651,308**
- (22) Filed: **Apr. 12, 2018**
- (51) **LOC (11) Cl.** **08-05**
- (52) **U.S. Cl.**
USPC **D8/72; D8/394**
- (58) **Field of Classification Search**
USPC **D8/71, 72, 394, 395**
CPC **B23Q 3/069; Y10T 29/53909; Y10T**
29/53935; B25B 1/00; B25B 5/00
See application file for complete search history.

6,889,968 B1 *	5/2005	Wong	B23Q 3/069	269/101
D545,161 S *	6/2007	Ranieri	D8/72	
D576,463 S *	9/2008	Franks, Jr.	D8/72	
D677,140 S *	3/2013	Krohmer	D8/72	
8,439,339 B2 *	5/2013	Roesch	B25B 5/102	269/170
D716,443 S *	10/2014	Marguerie	D24/128	
D736,584 S *	8/2015	Larson	D8/71	
D766,075 S *	9/2016	Milbank	D8/394	
D778,135 S *	2/2017	Blank	D8/72	
D788,561 S *	6/2017	Miller	D8/72	
D804,269 S *	12/2017	Wright, Jr.	D8/71	
D829,073 S *	9/2018	Starwood	D8/72	

* cited by examiner

Primary Examiner — John Windmuller

Assistant Examiner — Steven J Czyz

(57) **CLAIM**

The ornamental design for a clamp, as shown and described.

(56) **References Cited**

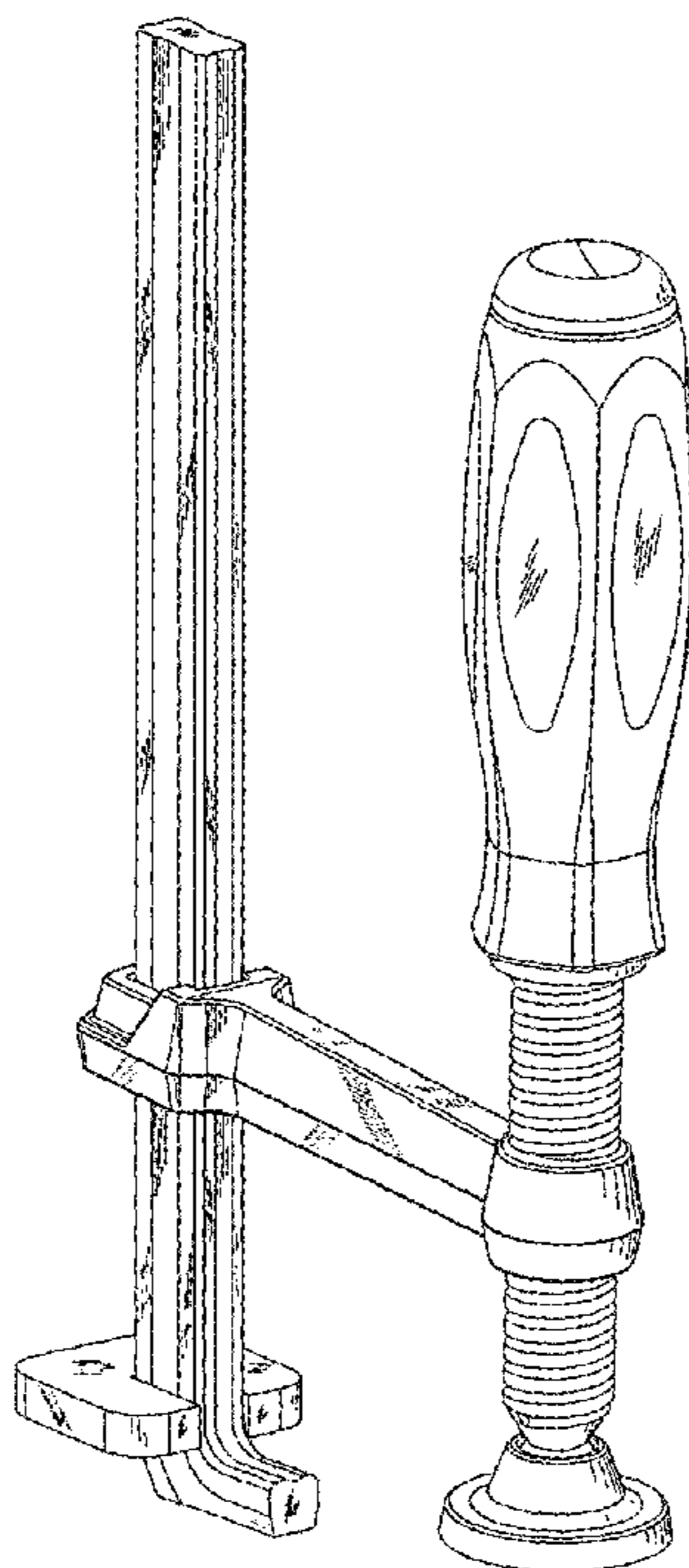
U.S. PATENT DOCUMENTS

D115,503 S *	7/1939	Linyard et al.	D8/71
D259,464 S *	6/1981	Paley	D8/71
D260,476 S *	9/1981	Knaus	7/127
D277,544 S *	2/1985	DeCarolis	D8/71
D278,308 S *	4/1985	Garvis	D8/71
4,520,571 A *	6/1985	Harding	B25H 7/04
				33/42
D281,856 S *	12/1985	Hamatani	D8/51
D288,655 S *	3/1987	Hamatani	D8/51
D339,728 S *	9/1993	Lee	D8/71
D413,429 S *	9/1999	Carson	D3/10
D436,814 S *	1/2001	Gore	D8/51
D467,152 S *	12/2002	Wolff	D8/72
D482,585 S *	11/2003	Brass	D8/72

DESCRIPTION

FIG. 1 is a front, left, and top perspective view of a clamp showing my new design;
 FIG. 2 is a left side elevation view thereof;
 FIG. 3 is a right side elevation view thereof;
 FIG. 4 is a rear elevation view thereof;
 FIG. 5 is a front elevation view thereof;
 FIG. 6 is a top plan view thereof;
 FIG. 7 is a bottom plan view thereof; and,
 FIG. 8 is a perspective view thereof in use.
 The broken lines depict environment that forms no part of the claimed design.

1 Claim, 6 Drawing Sheets



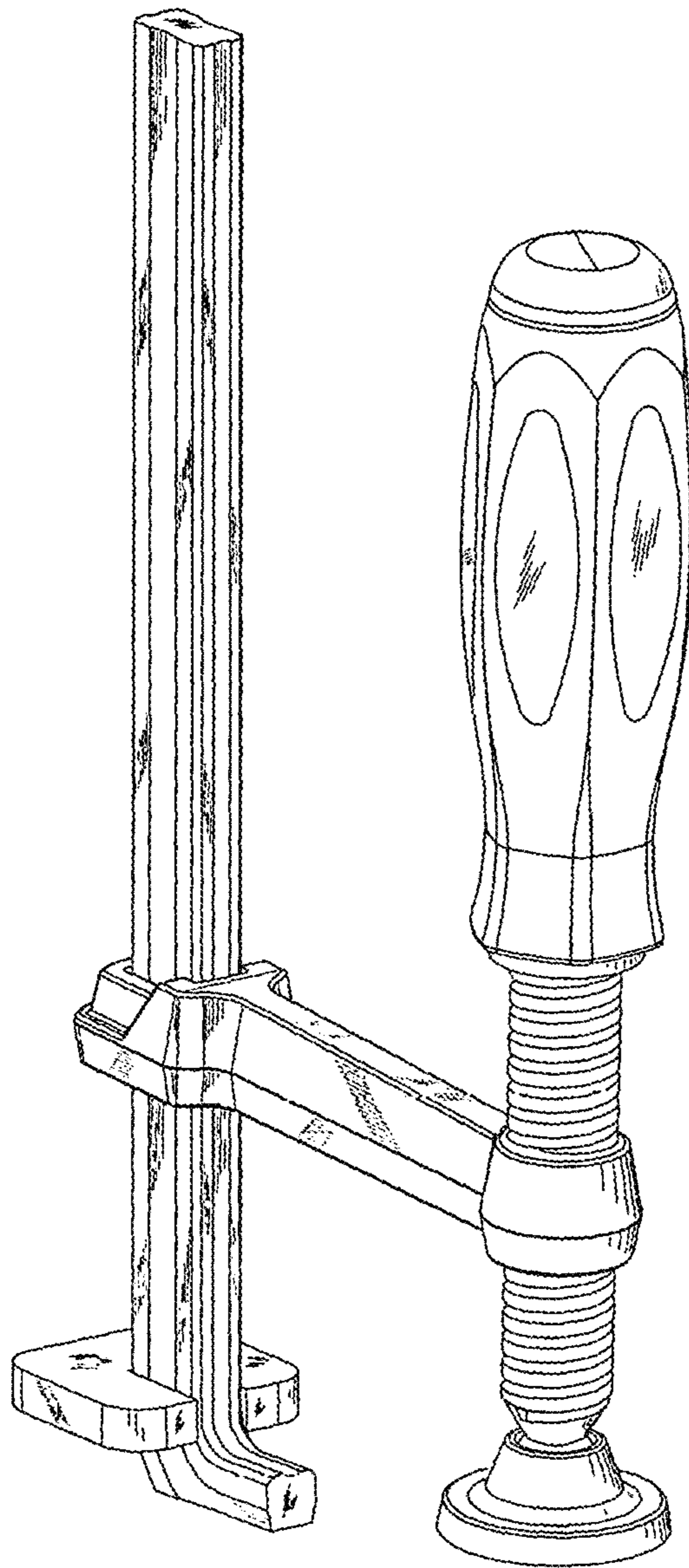


FIG. 1

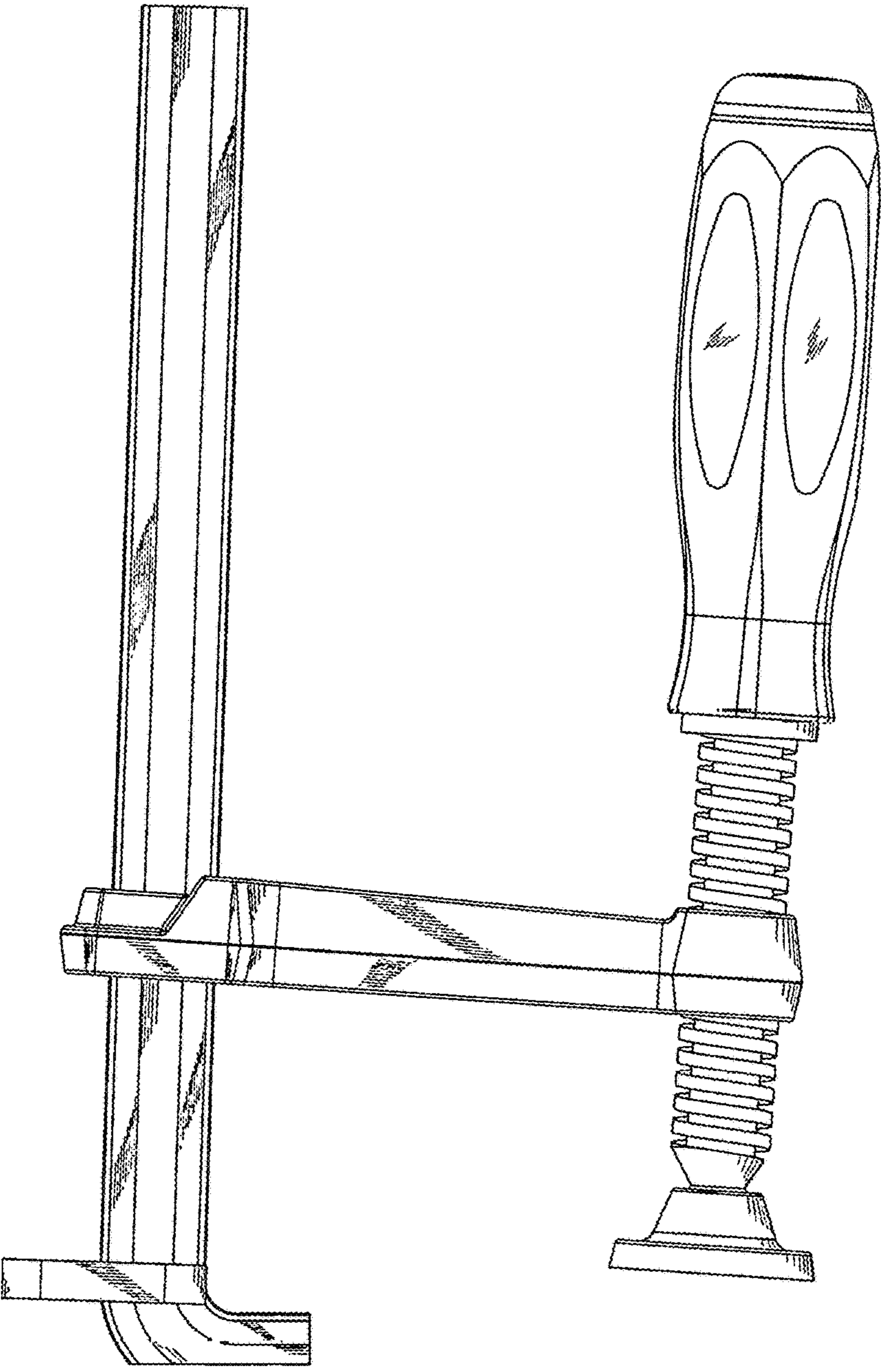


FIG. 2

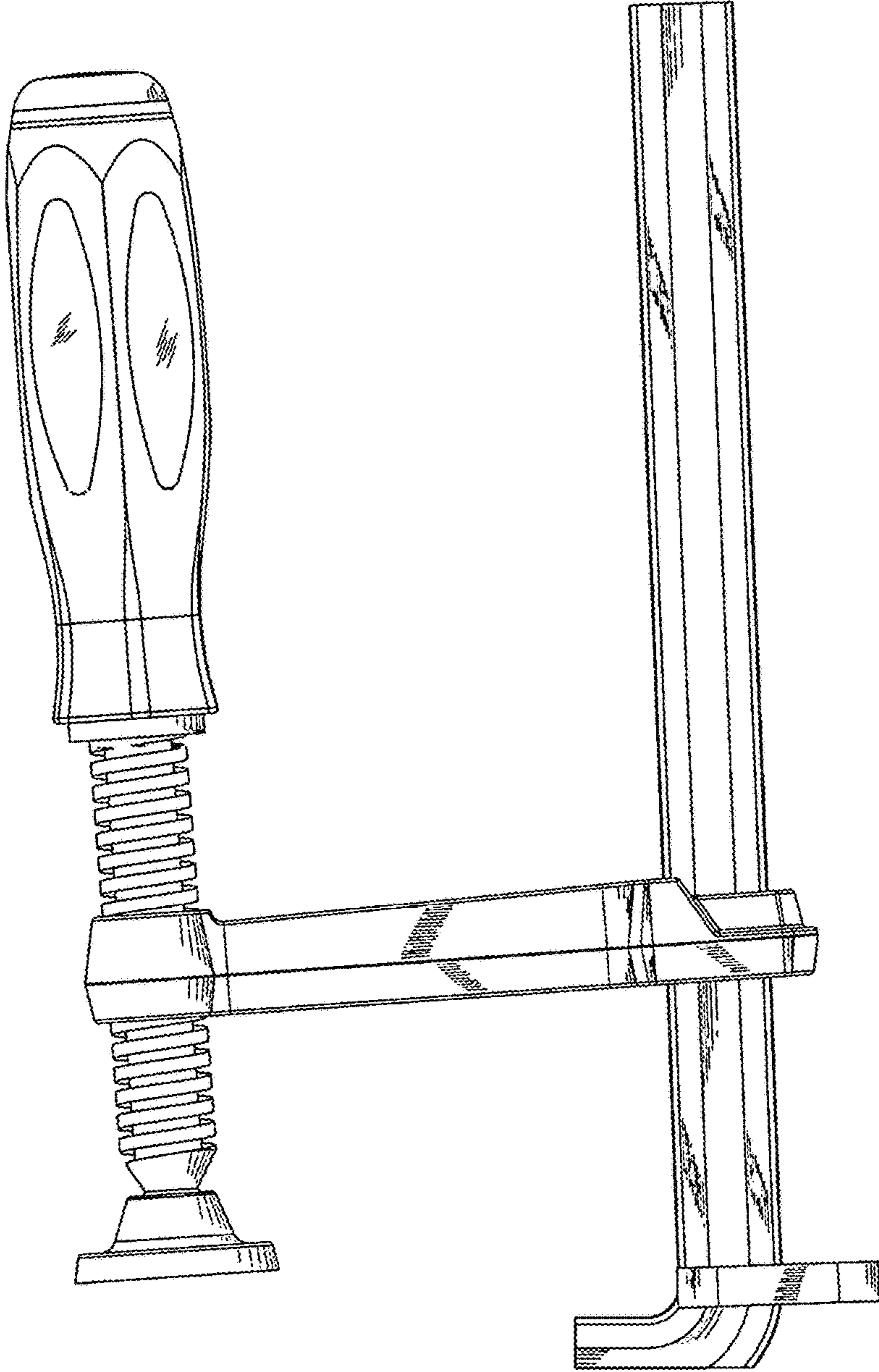


FIG. 3

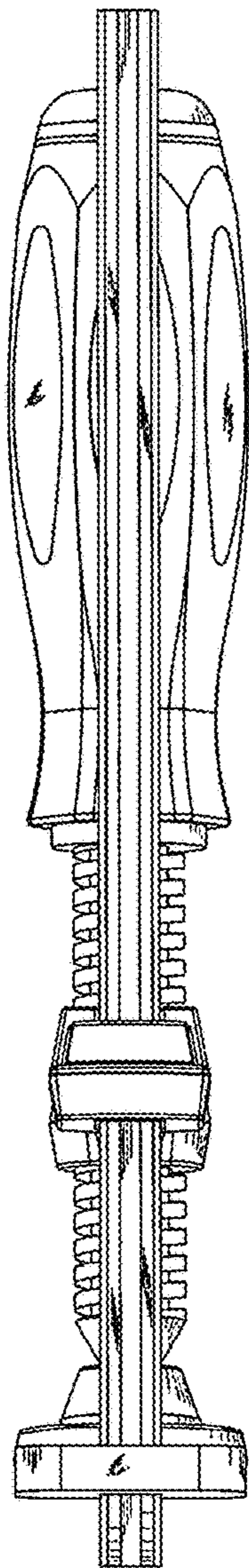


FIG. 4

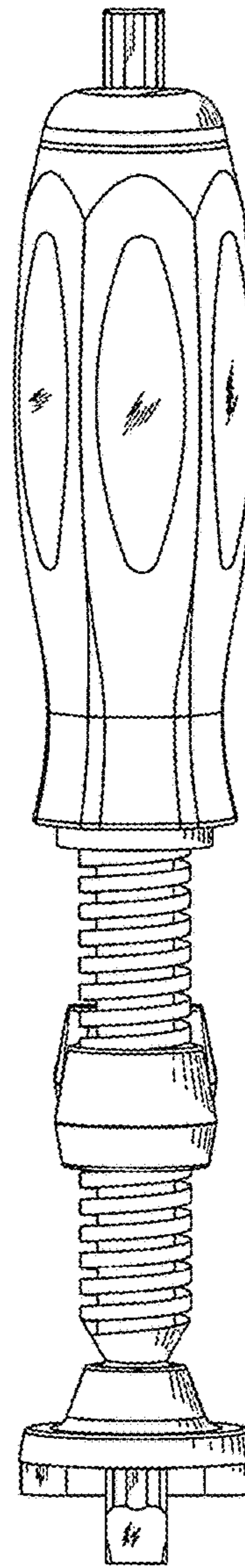


FIG. 5

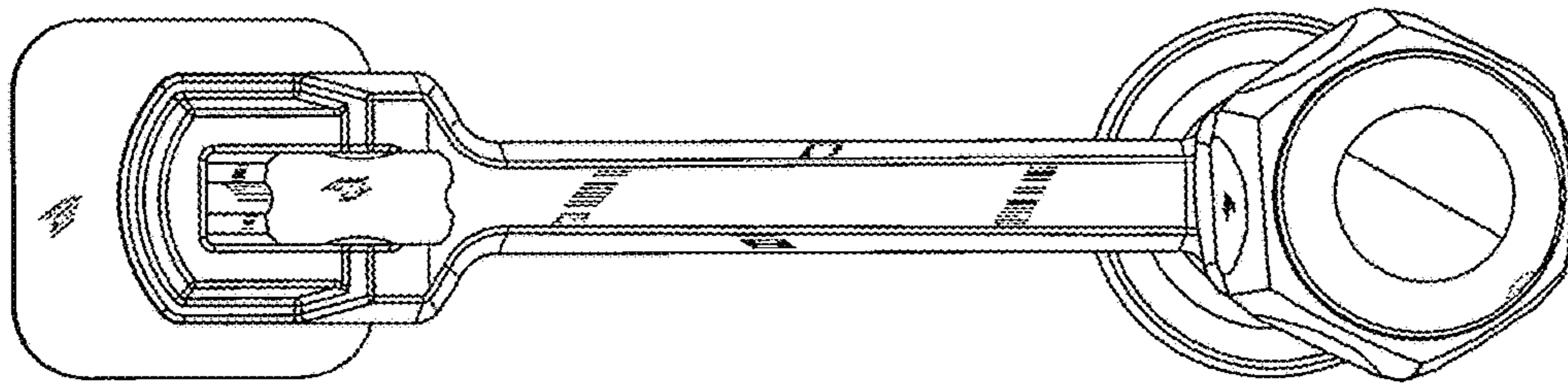


FIG. 6

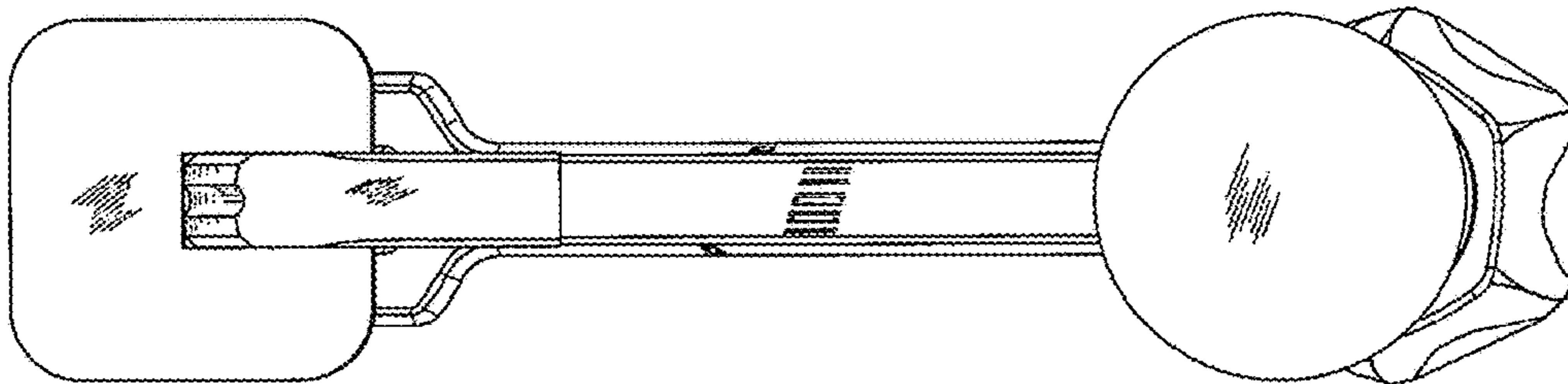


FIG. 7

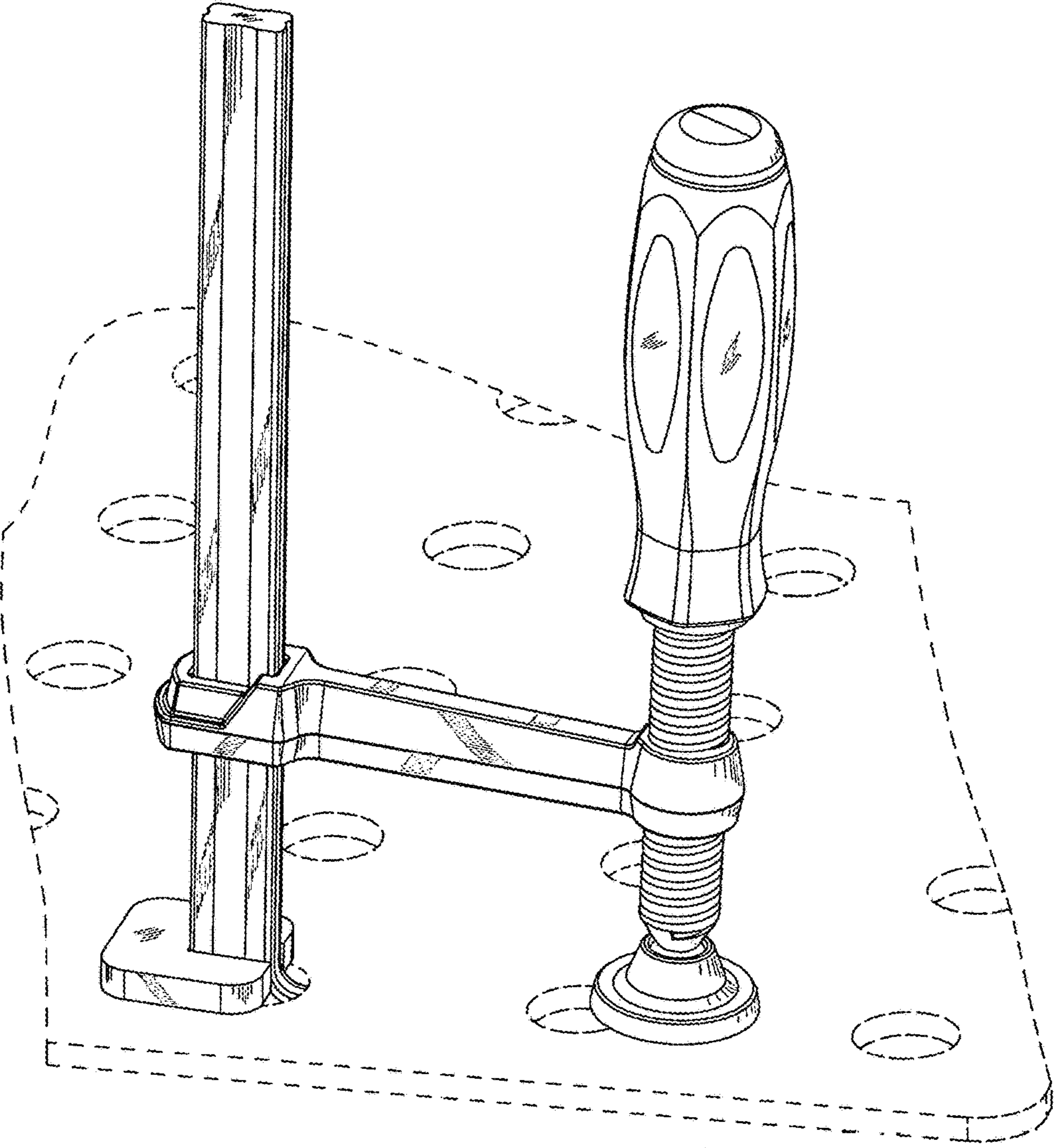


FIG. 8