



US00D850878S

(12) **United States Design Patent** (10) **Patent No.:** **US D850,878 S**
Da Rosa (45) **Date of Patent:** **** Jun. 11, 2019**

(54) **TOOL ACCESSORY CLIP** 9,033,198 B2 * 5/2015 Escherich B25H 3/003
224/183
(71) Applicant: **Manuel P Da Rosa**, Vancouver (CA) D766,711 S * 9/2016 Babbage D8/394
D791,558 S * 7/2017 Carpio D8/1
(72) Inventor: **Manuel P Da Rosa**, Vancouver (CA) D830,149 S * 10/2018 Pippus D8/71
D836,428 S * 12/2018 Pittman D8/382
(**) Term: **15 Years** 2017/0282351 A1 * 10/2017 Da Rosa B25H 3/003

FOREIGN PATENT DOCUMENTS

EP 1105254 8/1999

* cited by examiner

Primary Examiner — Janice Hallmark
Assistant Examiner — Harold E Blackwell, II

(21) Appl. No.: **29/641,091**
(22) Filed: **Mar. 20, 2018**
(51) **LOC (11) Cl.** **08-05**
(52) **U.S. Cl.**
USPC **D8/71**
(58) **Field of Classification Search**
USPC D8/1, 70, 71, 72, 394–396, 349, 382;
D15/140; D6/553
CPC B25H 3/003; B25H 3/006
See application file for complete search history.

(57) **CLAIM**

The ornamental design for a tool accessory clip, as shown and described.

(56) **References Cited**

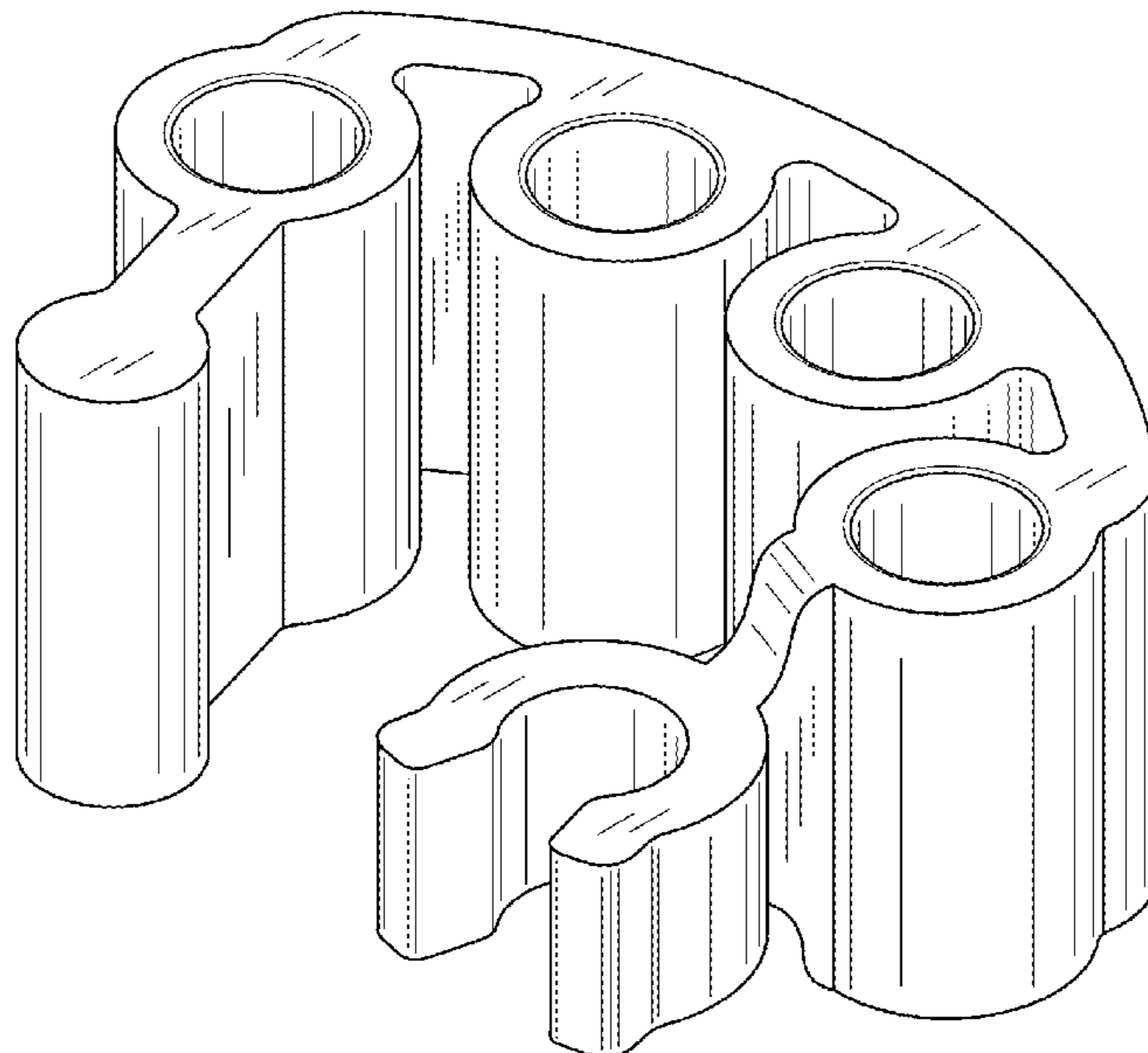
U.S. PATENT DOCUMENTS

4,932,294 A 6/1990 Chang
D314,699 S * 2/1991 Tamosaitis D8/70
5,056,661 A 10/1991 Balzano
5,230,261 A 7/1993 Akazawa et al.
D369,078 S 4/1996 Anderson
D371,945 S * 7/1996 Geary D15/140
5,810,525 A 9/1998 Ector, Sr.
D407,295 S * 3/1999 Belokin D8/349
6,702,530 B2 3/2004 Bennage et al.
6,910,578 B2 * 6/2005 Stern B25H 3/003
206/350
6,979,155 B2 12/2005 Dils et al.
8,408,391 B2 4/2013 Drouin

DESCRIPTION

FIG. 1 is a top front side perspective view of a tool accessory clip showing my new design;
FIG. 2 is a front view of the tool accessory clip, a rear view being a mirror image thereof;
FIG. 3 is a left side view of the tool accessory clip;
FIG. 4 is a right side view of the tool accessory clip;
FIG. 5 is a top view of the tool accessory clip; and,
FIG. 6 is a bottom view of the tool accessory clip.

1 Claim, 3 Drawing Sheets



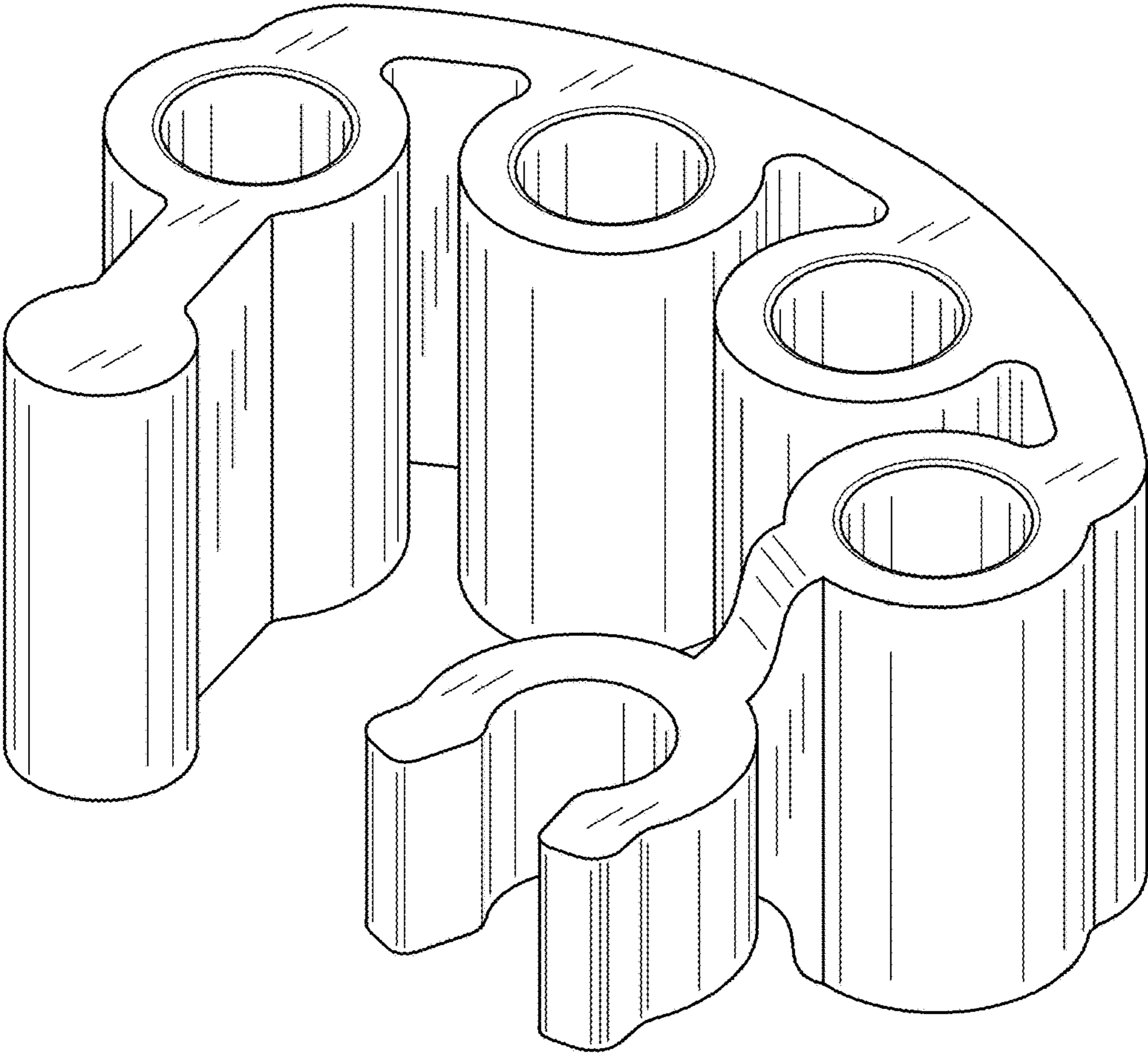


FIG. 1

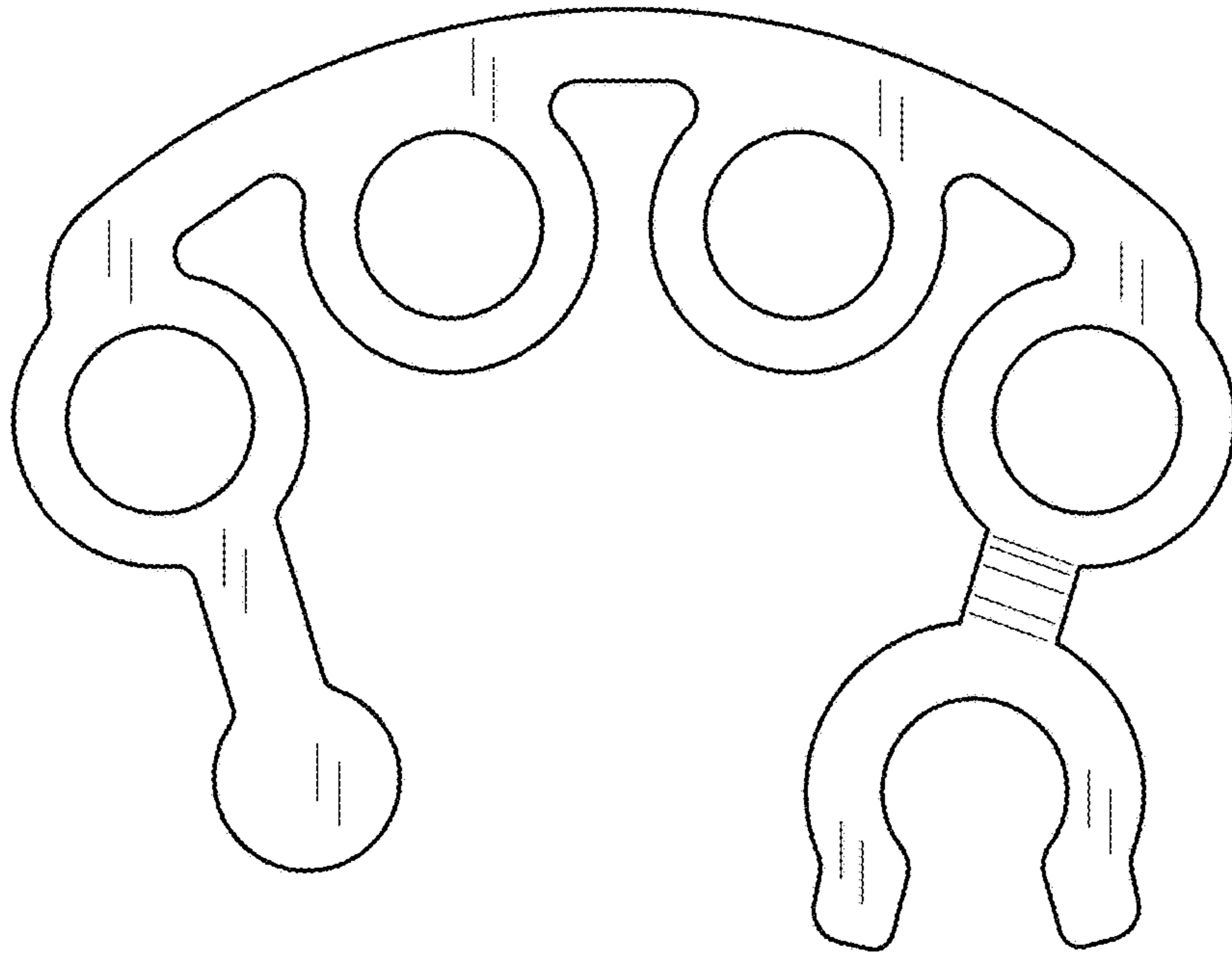


FIG. 2

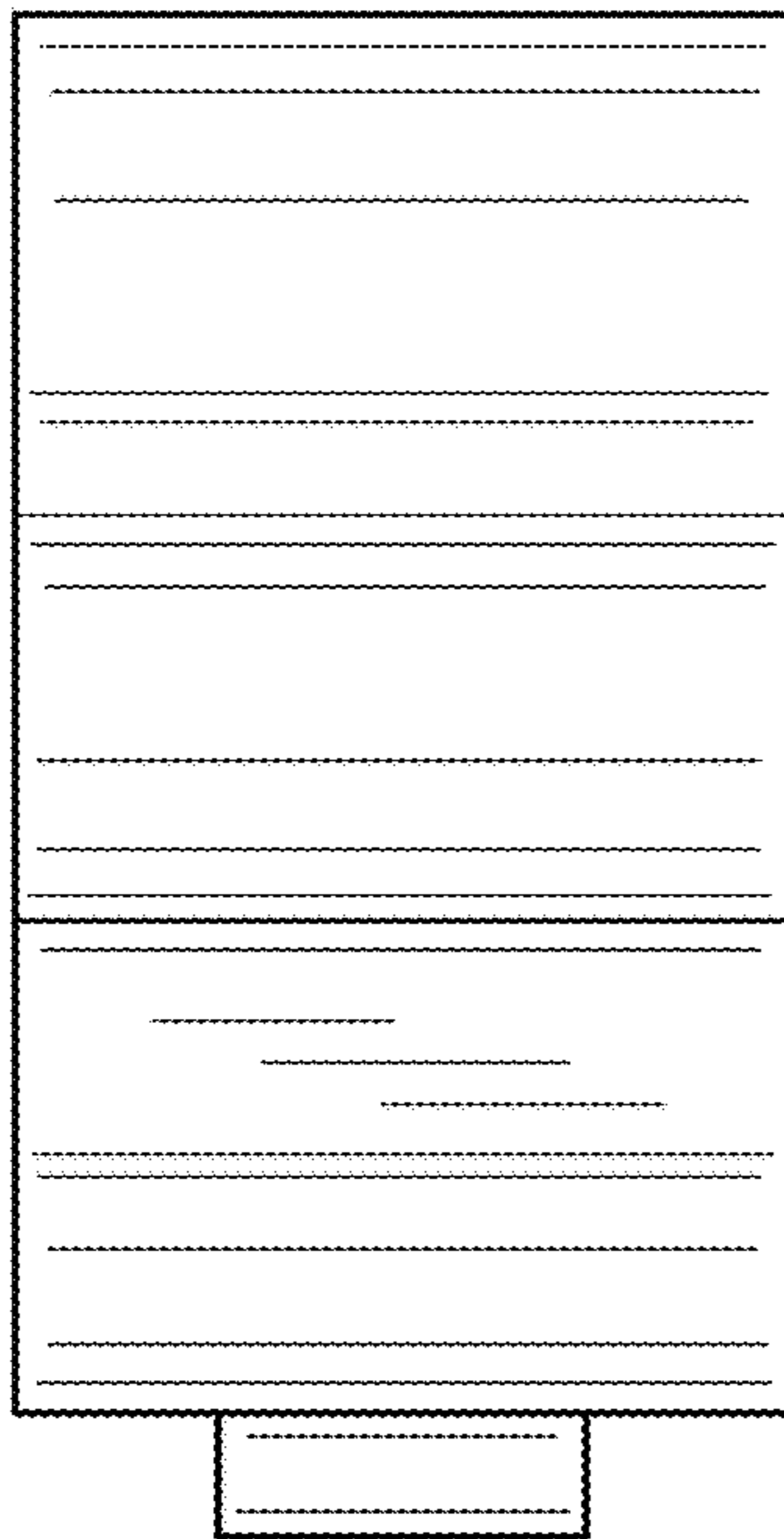


FIG. 3

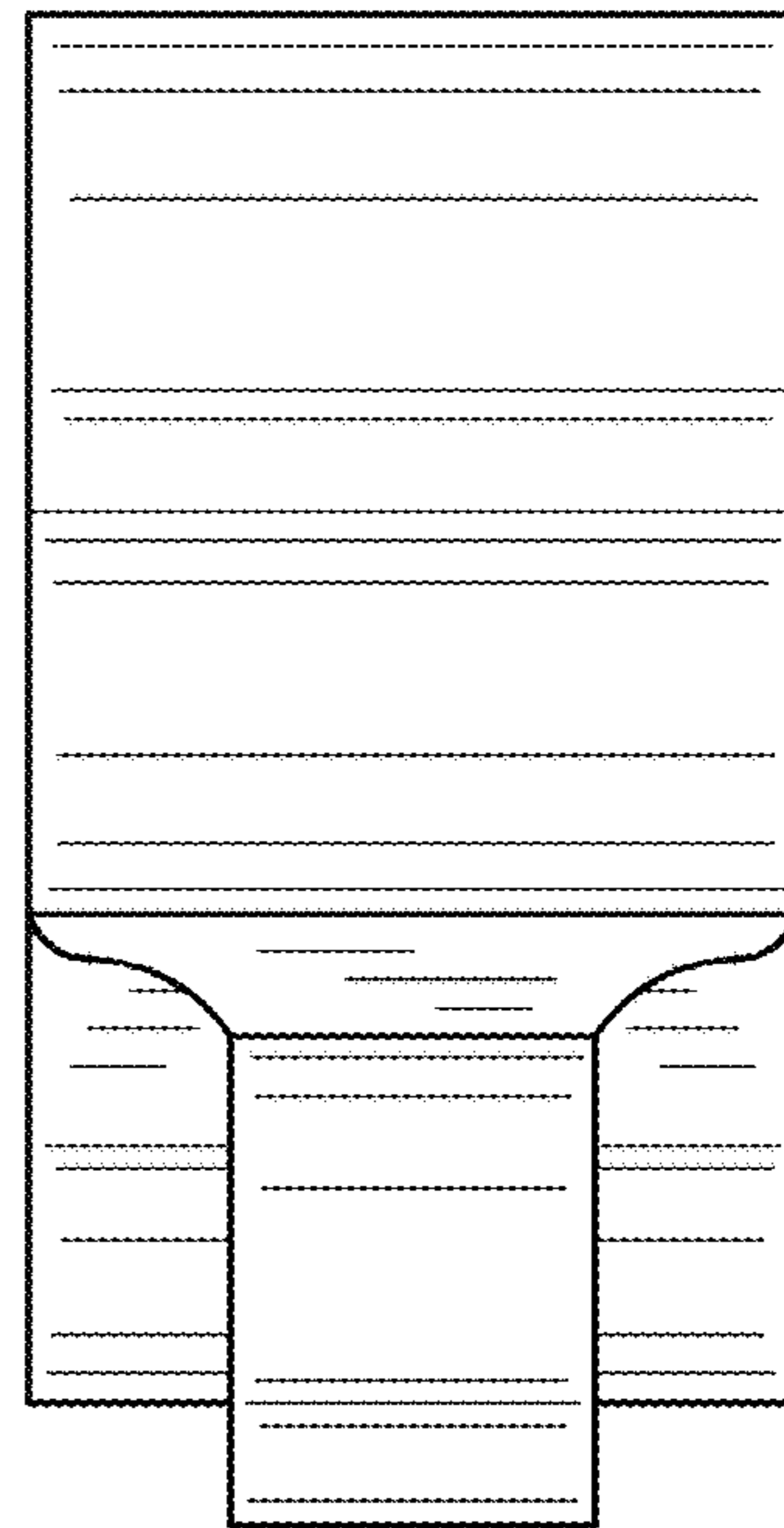


FIG. 4

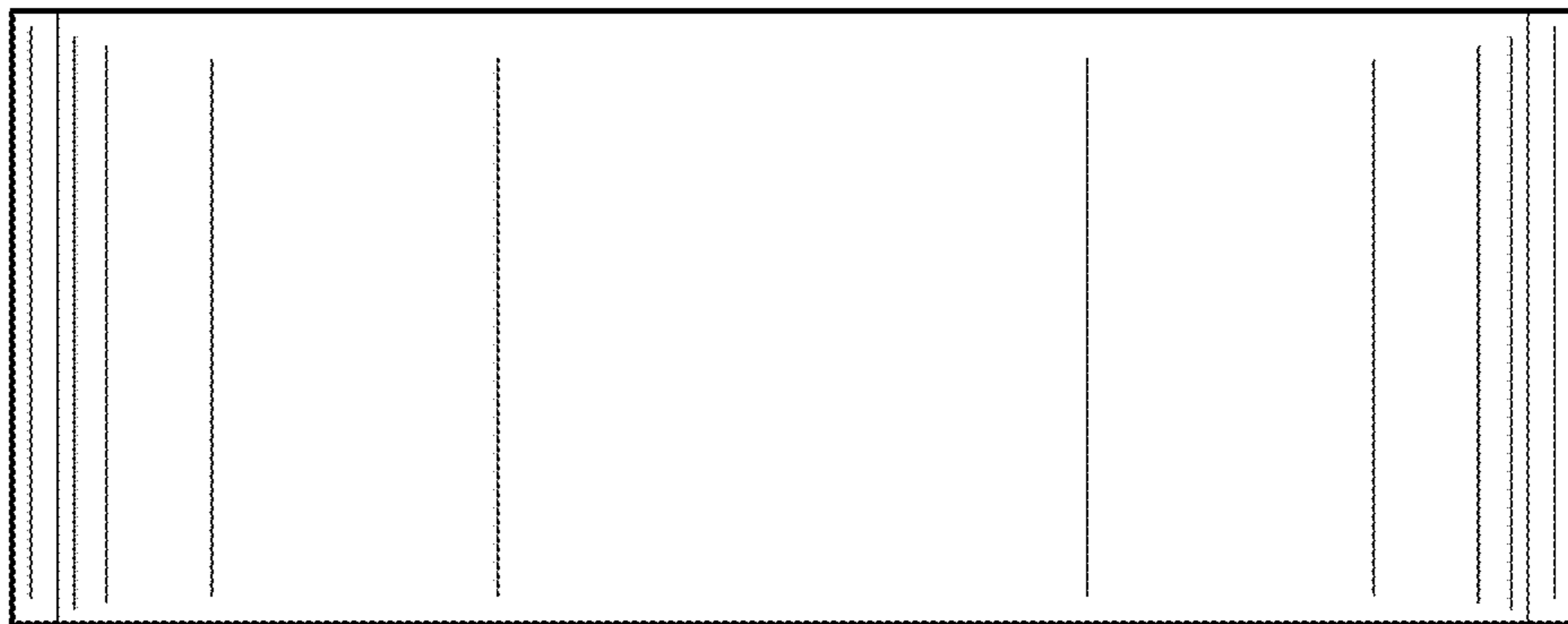


FIG. 5

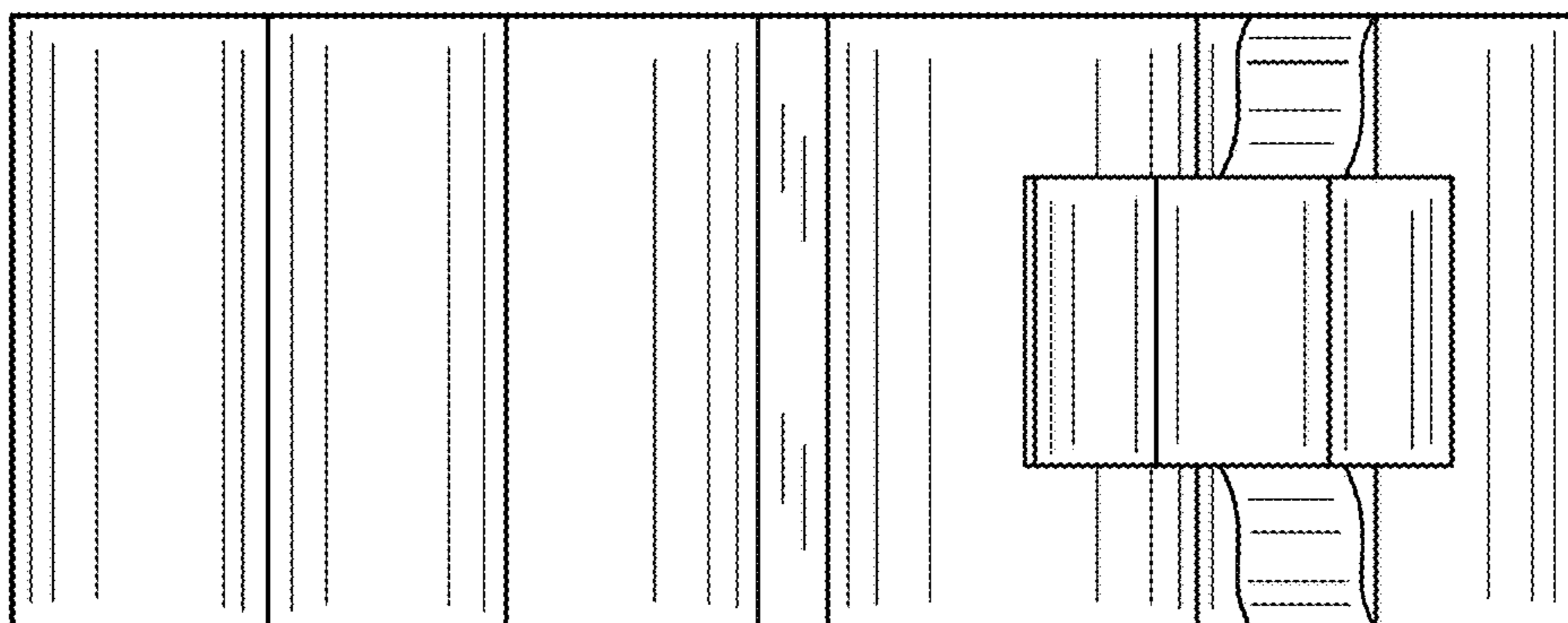


FIG. 6