



US00D850877S

(12) **United States Design Patent**
Zhang

(10) **Patent No.:** **US D850,877 S**
(45) **Date of Patent:** **** Jun. 11, 2019**

- (54) **POST DRIVER AND PULLER COMBO**
- (71) Applicant: **Hebei Honde Plastic & Metal Co., Ltd.**, Xingtai, Hebei (CN)
- (72) Inventor: **Xiaoming Zhang**, Hebei (CN)
- (73) Assignee: **Hebei Honde Plastic & Metal Co., Ltd.**, Xingtai (CN)
- (**) Term: **15 Years**
- (21) Appl. No.: **29/617,630**
- (22) Filed: **Sep. 15, 2017**
- (51) **LOC (11) Cl.** **08-05**
- (52) **U.S. Cl.**
USPC **D8/55**
- (58) **Field of Classification Search**
USPC D8/4, 5, 14, 51-60, 105
CPC E04H 17/263; E04H 17/265
See application file for complete search history.

5,042,591	A *	8/1991	Hull	B25D 1/16	173/132
D340,567	S *	10/1993	Maxted	D34/28	
D361,248	S *	8/1995	Harper	D8/51	
5,464,192	A *	11/1995	Burnham	E04H 17/265	254/30
5,499,795	A *	3/1996	Mathews	E04H 17/265	254/30
D372,177	S *	7/1996	Hansen	D34/31	
D587,548	S *	3/2009	O'Toole	D8/14	
D657,218	S *	4/2012	Wilder	D8/51	
D675,494	S *	2/2013	Beem	D8/14	
8,465,004	B1 *	6/2013	Fly	E01F 9/623	111/95
9,181,726	B2 *	11/2015	McNeill	E04H 17/263	
D786,031	S *	5/2017	Whitten	D8/14	
D829,517	S *	10/2018	Coleman	D8/14	
2007/0181320	A1 *	8/2007	Mason	B25D 1/16	173/90
2018/0202188	A1 *	7/2018	Dishman	E04H 17/263	
2018/0258603	A1 *	9/2018	Zhang	E02D 7/04	

* cited by examiner

Primary Examiner — Deanna L Pratt

(56) **References Cited**

U.S. PATENT DOCUMENTS

2,098,146	A *	11/1937	Hunt	E04H 17/263	173/126
2,532,533	A *	12/1950	Baldwin	B66F 15/00	254/131
2,690,055	A *	9/1954	Lundgren	E04H 17/263	173/126
2,998,087	A *	8/1961	Iddings	E02D 7/04	173/102
4,738,433	A *	4/1988	Hoff	E04H 17/265	254/30
D312,196	S *	11/1990	Norona	D8/14	
5,022,632	A *	6/1991	Beideck	B25B 27/02	254/132
5,029,651	A *	7/1991	Ubbink	B25D 1/16	173/126

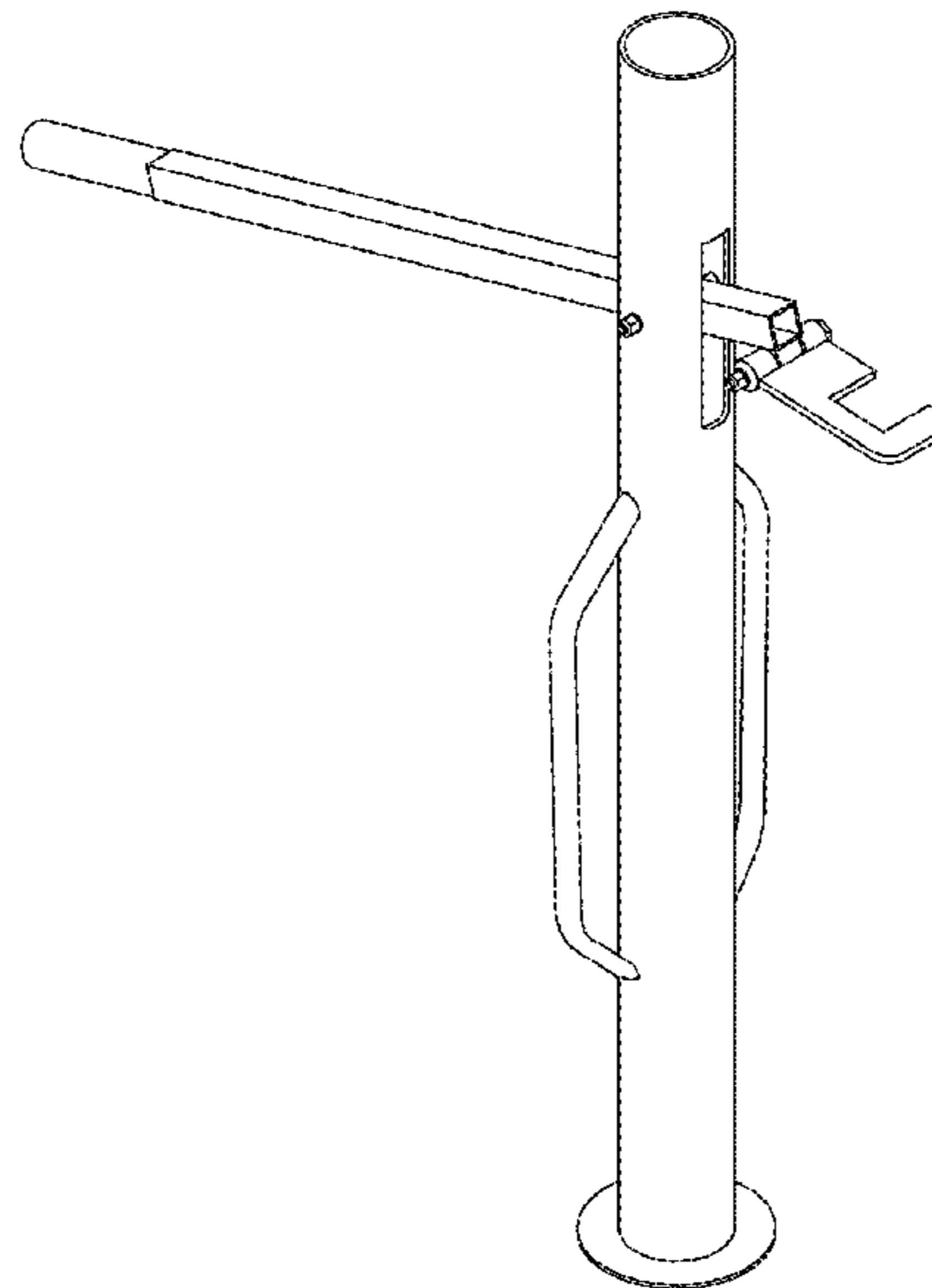
(57) **CLAIM**

The ornamental design for a post driver and puller combo, as shown and described.

DESCRIPTION

FIG. 1 is a front elevational view of a post driver and puller combo showing my new design;
FIG. 2 is a rear elevational view thereof;
FIG. 3 is a left side view thereof;
FIG. 4 is a right side view thereof;
FIG. 5 is a top plan view thereof;
FIG. 6 is a bottom plan view thereof; and,
FIG. 7 is a perspective view thereof.

1 Claim, 7 Drawing Sheets



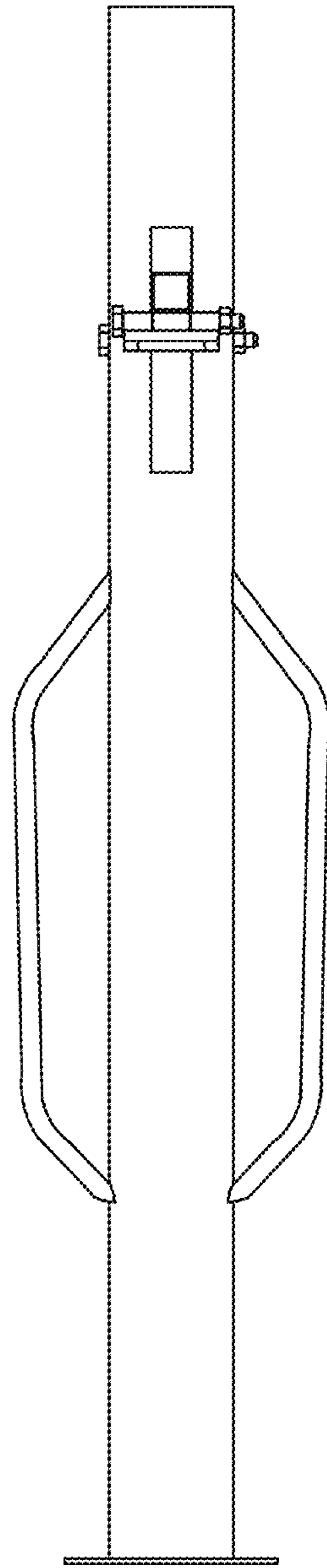


Fig. 1

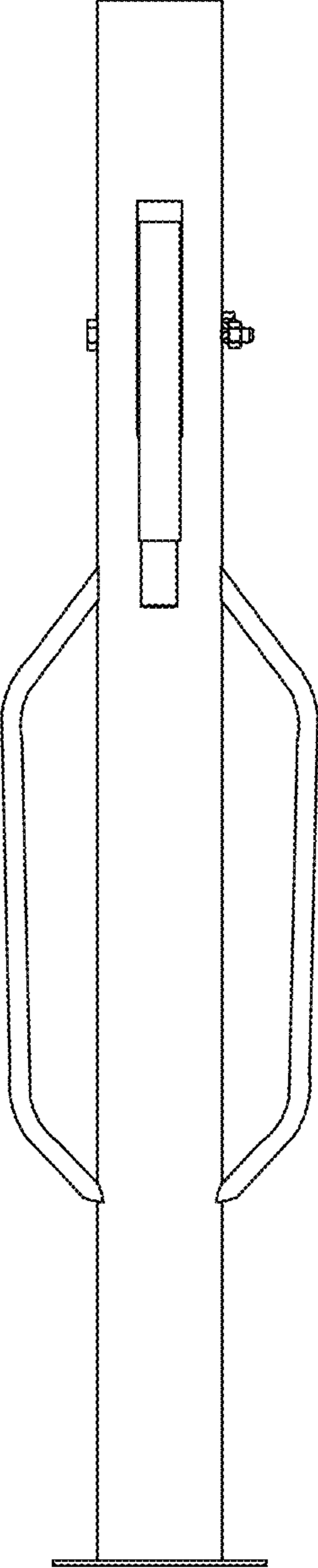


Fig. 2

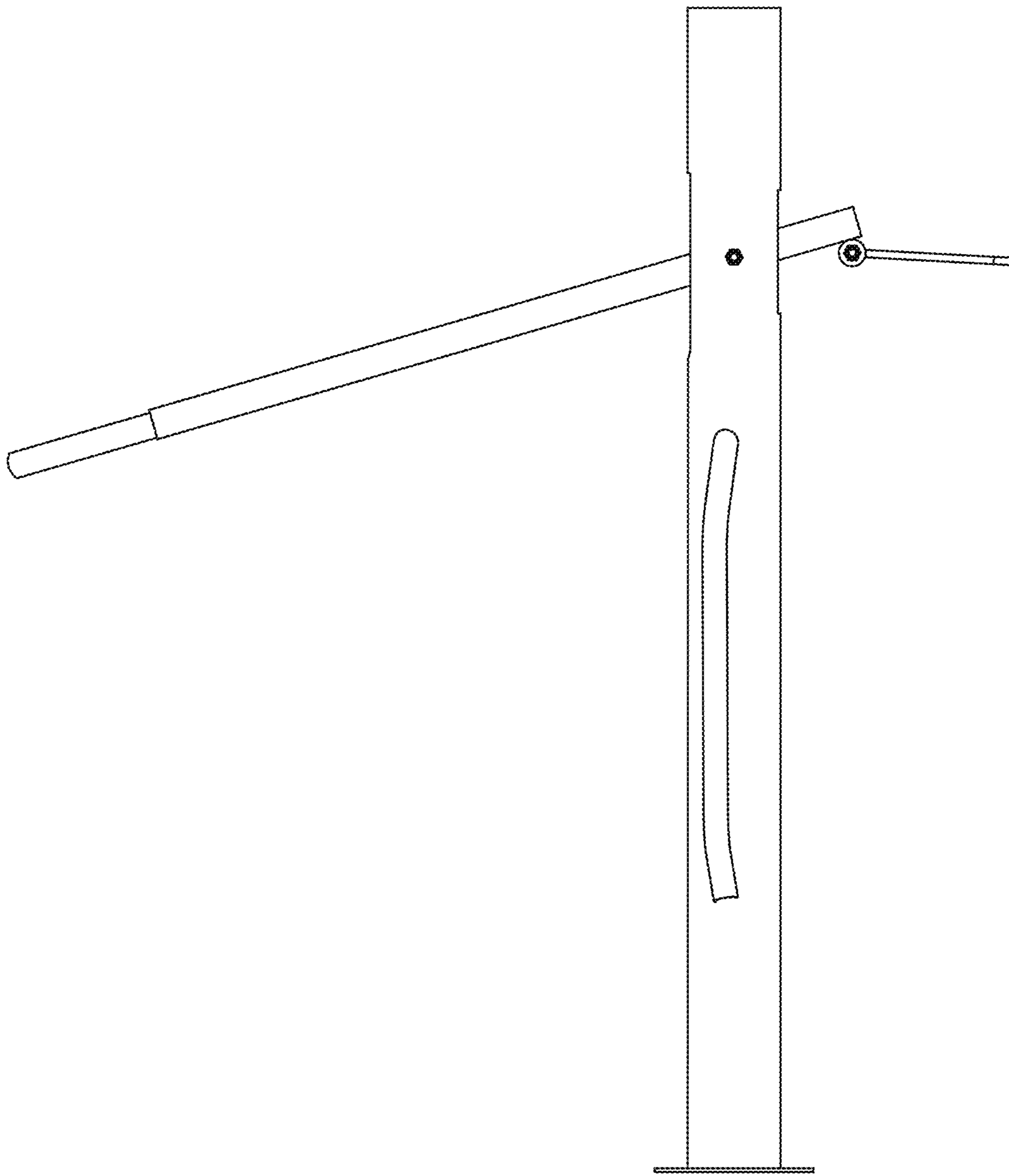


Fig. 3

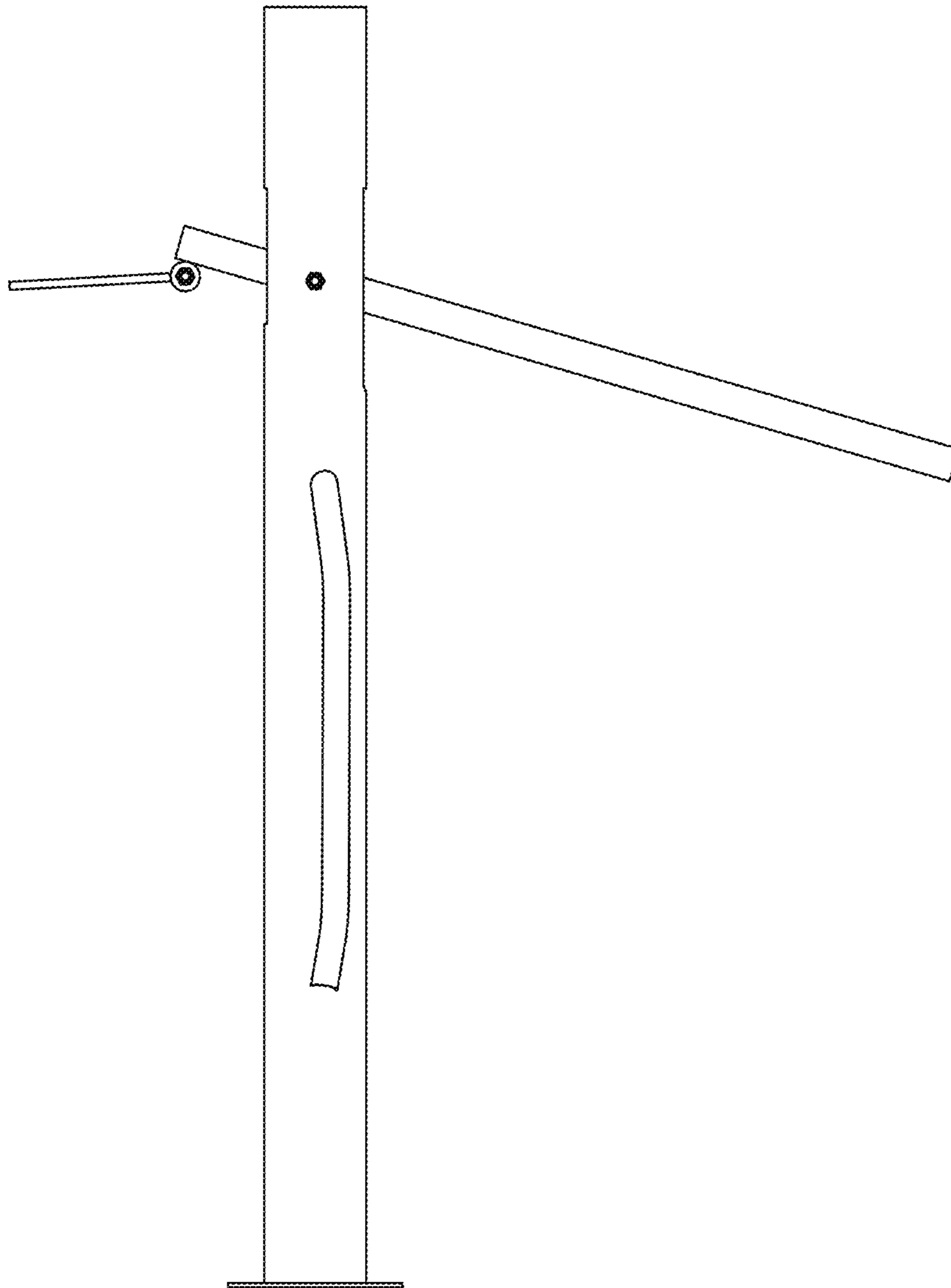


Fig. 4

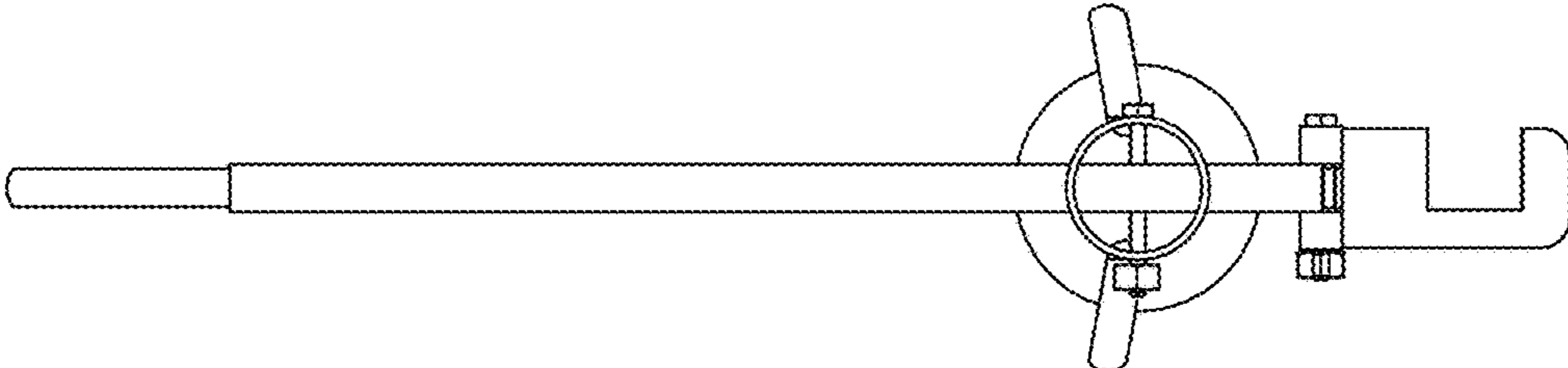


Fig. 5

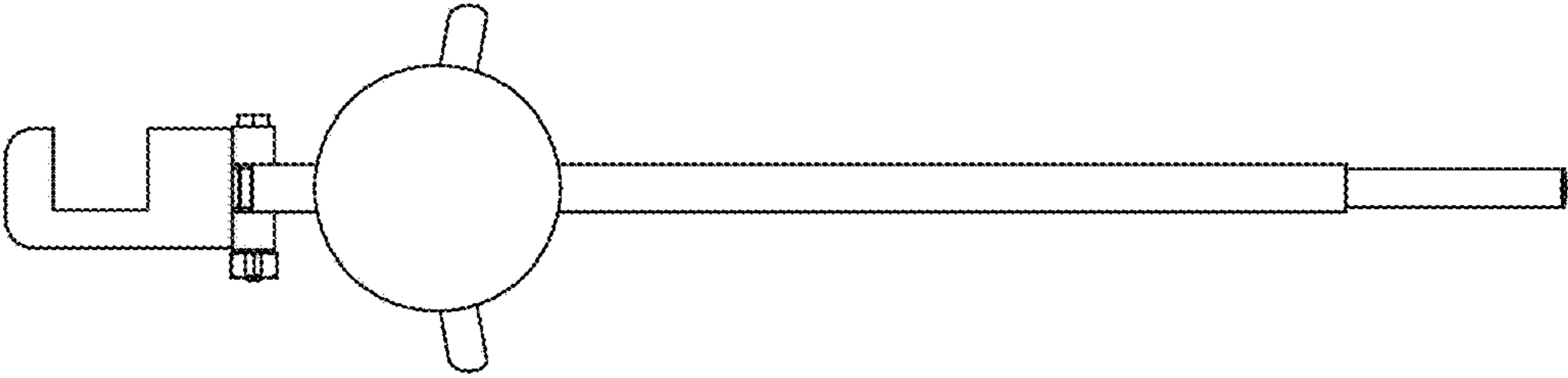


Fig. 6

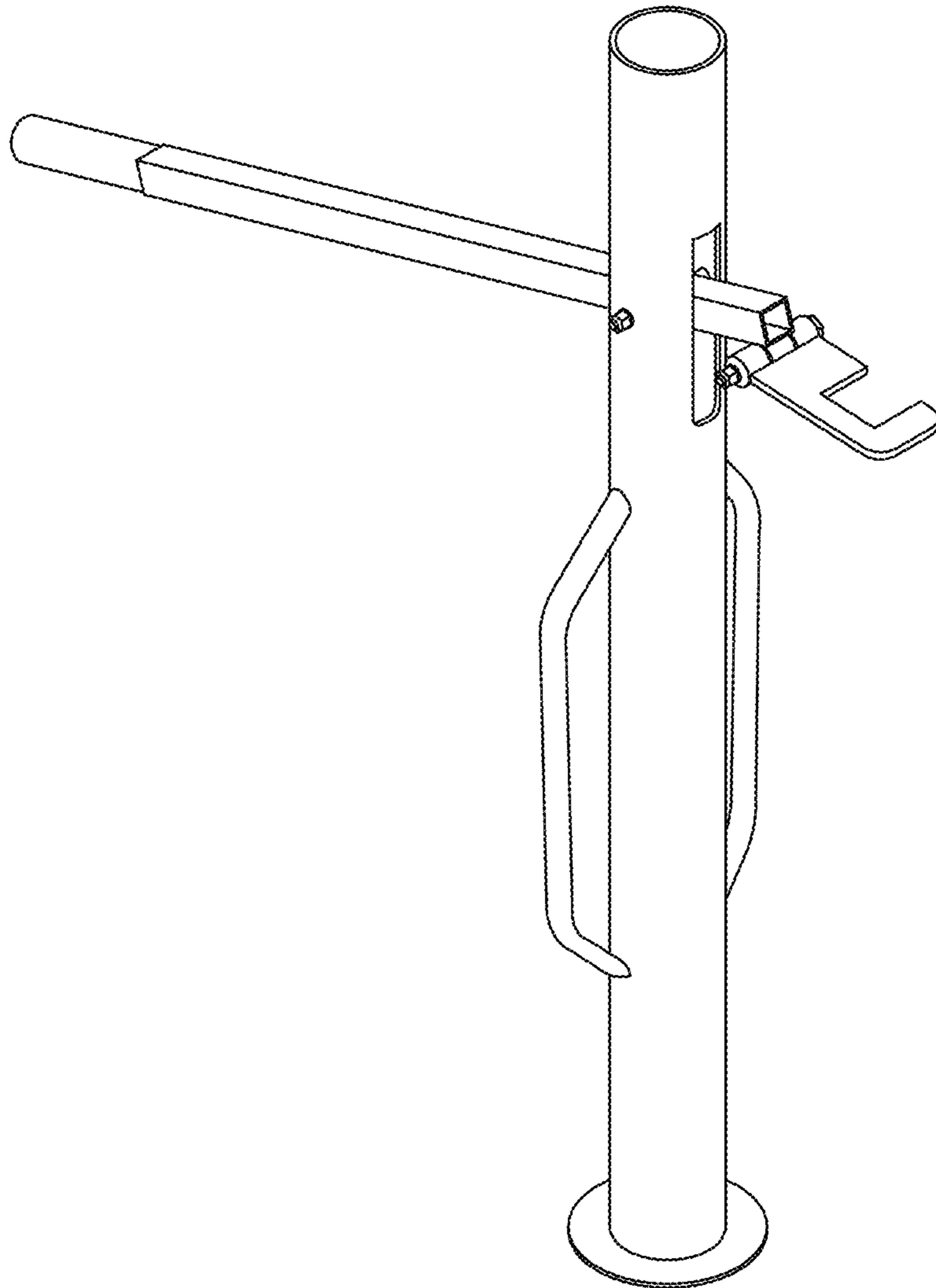


Fig. 7