



US00D850874S

(12) **United States Design Patent**  
**Piramoon**

(10) **Patent No.:** **US D850,874 S**  
(45) **Date of Patent:** **\*\* Jun. 11, 2019**

- (54) **CLOSURE TOOL**
- (71) Applicant: **Fiberlite Centrifuge, LLC**, Santa Clara, CA (US)
- (72) Inventor: **Sina Piramoon**, San Jose, CA (US)
- (73) Assignee: **Fiberlite Centrifuge, LLC**, Santa Clara, CA (US)
- (\*\*) Term: **15 Years**
- (21) Appl. No.: **29/604,232**
- (22) Filed: **May 16, 2017**
- (51) **LOC (11) Cl.** ..... **07-99**
- (52) **U.S. Cl.**  
USPC ..... **D8/40; D24/219**
- (58) **Field of Classification Search**  
USPC ..... D8/40, 16, 17, 18, 33, 43, 88, 307, 338, D8/21, 22, 24, 25, 26, 27, 28, 29, 34; D26/24, 72, 73, 113; D24/231, 219, 224  
CPC .... B67B 7/14; B67B 7/16; B67B 7/44; B67B 7/18; B67B 7/0441; B67B 7/0447; B67B 7/066; B67B 7/0405; B67B 7/0417; B67B 7/162; B67B 7/00; B67B 7/04; B67B 7/0411; B67B 7/0423; B67B 7/06; B67B 7/182; B67B 7/385; B67B 2007/166; A47G 23/0241; B26B 11/00; G10K 3/00; A44C 5/0007; B25F 1/006; B25F 1/00; B25F 1/003; B25F 5/021; B25B 23/1427; Y10T 29/49822; Y10T 24/44564  
See application file for complete search history.

4,683,782 A 8/1987 Warburg  
4,723,465 A 2/1988 Hughes  
D316,362 S 4/1991 Hughes  
(Continued)

**OTHER PUBLICATIONS**

Fiberlite 1000ml bottles, posted at thermofisher.com, no posting date available, online, URL:https://www.thermofisher.com/order/catalog/product/010-1491 (Year: 2018).\*

*Primary Examiner* — Anhdao Doan

*Assistant Examiner* — Mary Shannon Malley

(74) *Attorney, Agent, or Firm* — Wood Herron & Evans LLP

(57) **CLAIM**

The ornamental design for a closure tool, as shown and described.

**DESCRIPTION**

FIG. 1 is a top left isometric view of a closure tool of my new design;

FIG. 2 is a bottom right isometric view of the closure tool shown in FIG. 1;

FIG. 3 is a front elevation view of the closure tool shown in FIG. 1; The rear elevation view of the design of FIG. 1 is identical to FIG. 3;

FIG. 4 is a right side elevation view of the closure tool shown in FIG. 1; The left side elevation view of the design of FIG. 1 is identical to FIG. 4;

FIG. 5 is a top plan view of the closure tool shown in FIG. 1; and,

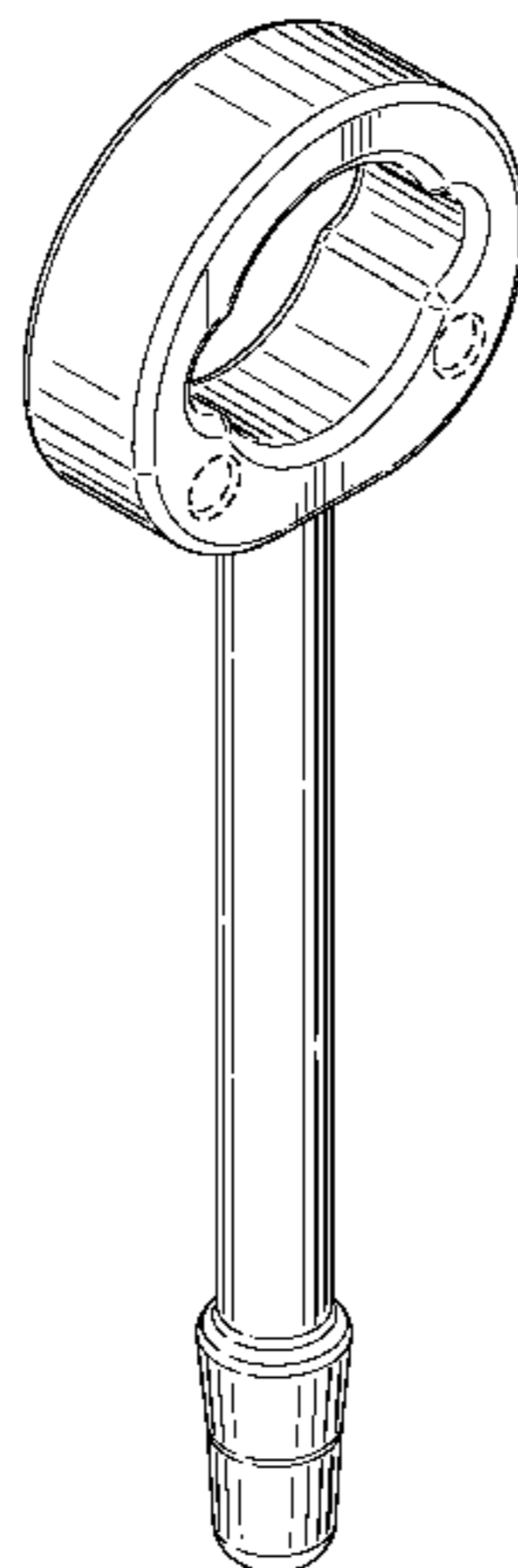
FIG. 6 is a bottom plan view of the closure tool shown in FIG. 1.

The broken lines show portions of the closure tool that form no part of the claimed design.

Neither the portions inside the broken dash lines nor the broken dash lines themselves forms any part of the claimed design.

**1 Claim, 2 Drawing Sheets**

- (56) **References Cited**  
U.S. PATENT DOCUMENTS
- 514,200 A 2/1894 Painter
- 757,548 A 4/1904 Goodrich
- 1,960,531 A 5/1934 Driscoll
- 2,542,329 A 2/1951 Hammond, Jr.
- 3,938,735 A 2/1976 Wright et al.
- 4,537,320 A 8/1985 Nielsen



(56)

**References Cited**

U.S. PATENT DOCUMENTS

5,253,551	A	10/1993	DeVaughn	
D359,212	S *	6/1995	Skiba .....	D8/28
D391,134	S *	2/1998	Laib .....	D8/33
D392,527	S *	3/1998	Cortes .....	D8/107
5,950,504	A	9/1999	Italia	
6,105,468	A	8/2000	Fohrman et al.	
6,309,603	B1	10/2001	Locke	
D499,618	S *	12/2004	Lin .....	D8/25
D505,847	S *	6/2005	Kelleghan .....	D8/40
7,004,049	B2	2/2006	So	
7,387,049	B1	6/2008	Ver Hage et al.	
D593,247	S *	5/2009	Maxik .....	D26/113
D642,881	S *	8/2011	Christopher .....	D8/25
8,105,556	B2	1/2012	Romanauskas et al.	
8,215,508	B2	7/2012	Baird et al.	
D692,286	S *	10/2013	Hager .....	D8/14
9,038,503	B2	5/2015	Bartholomew et al.	
9,079,757	B2	7/2015	Bjork	
D755,595	S *	5/2016	Dauster .....	D8/25
D796,280	S *	9/2017	Godoy .....	D8/21
2016/0158745	A1	6/2016	Piramoon	
2018/0339892	A1 *	11/2018	Piramoon .....	B67B 7/18

\* cited by examiner

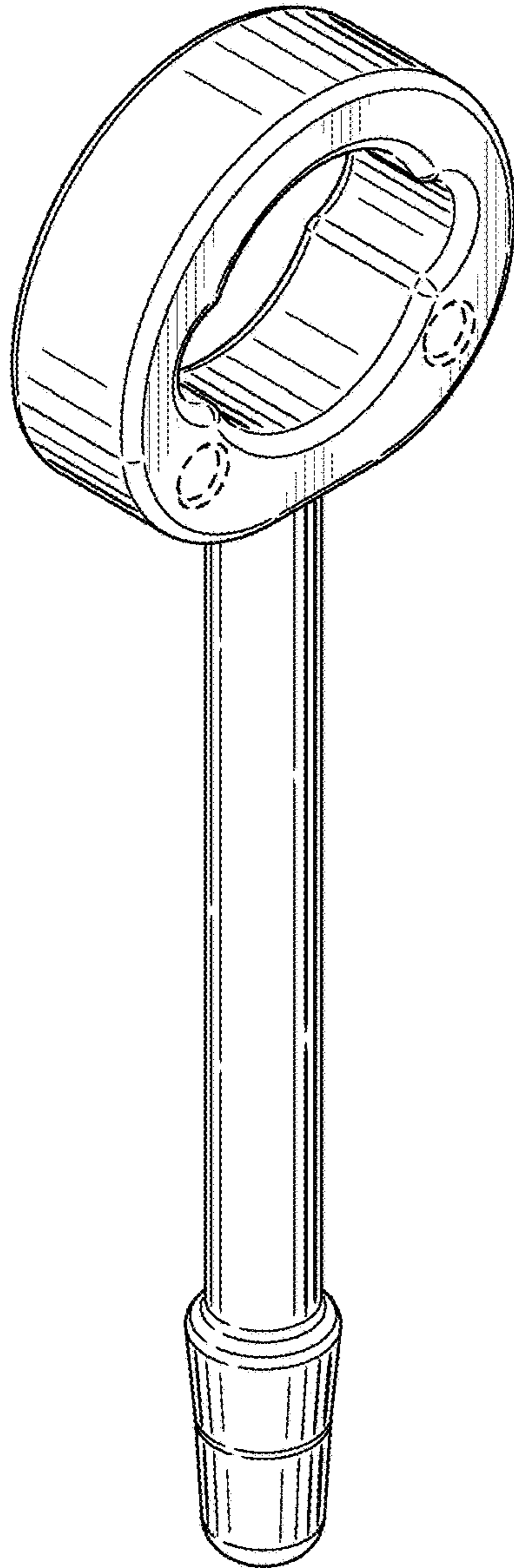


FIG. 1

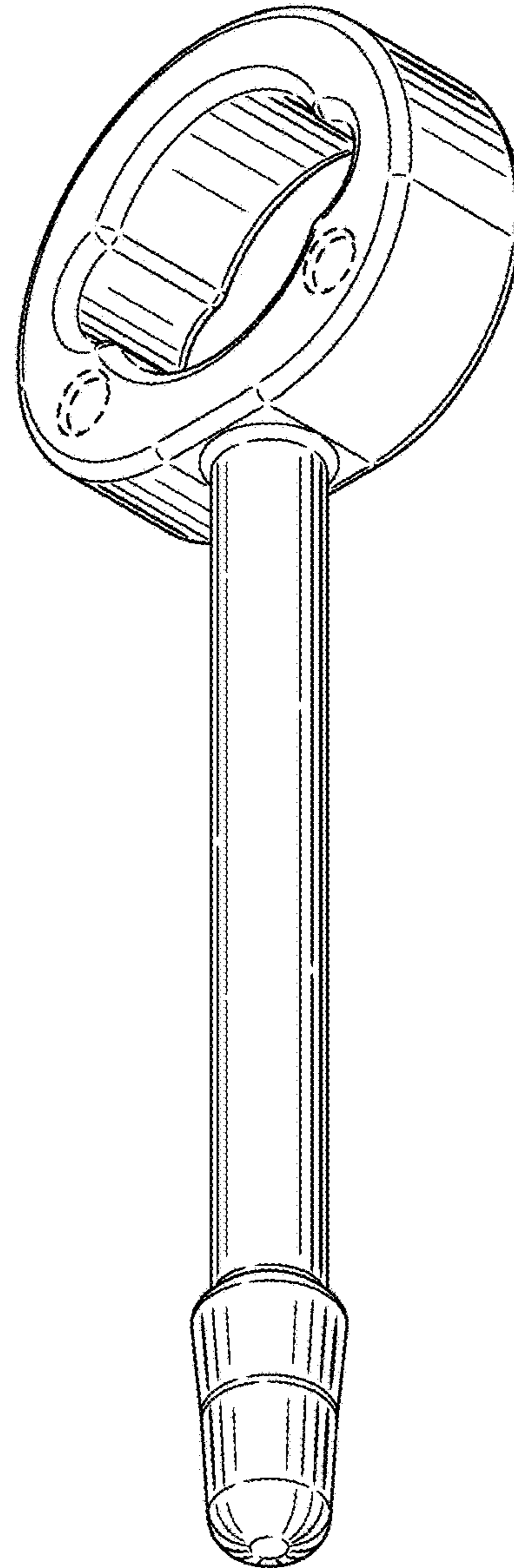


FIG. 2

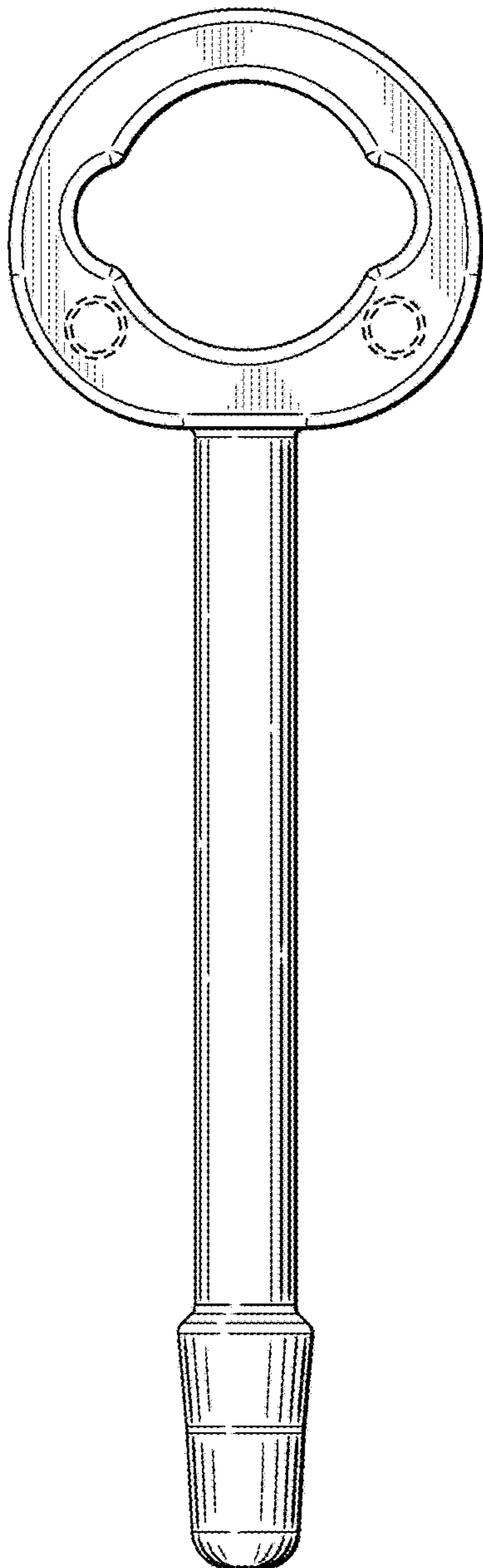


FIG. 3

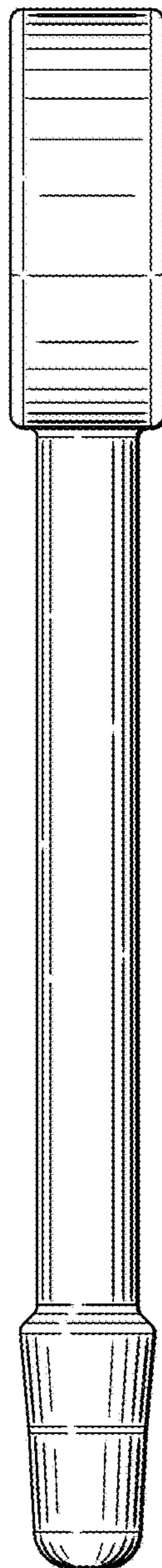


FIG. 4

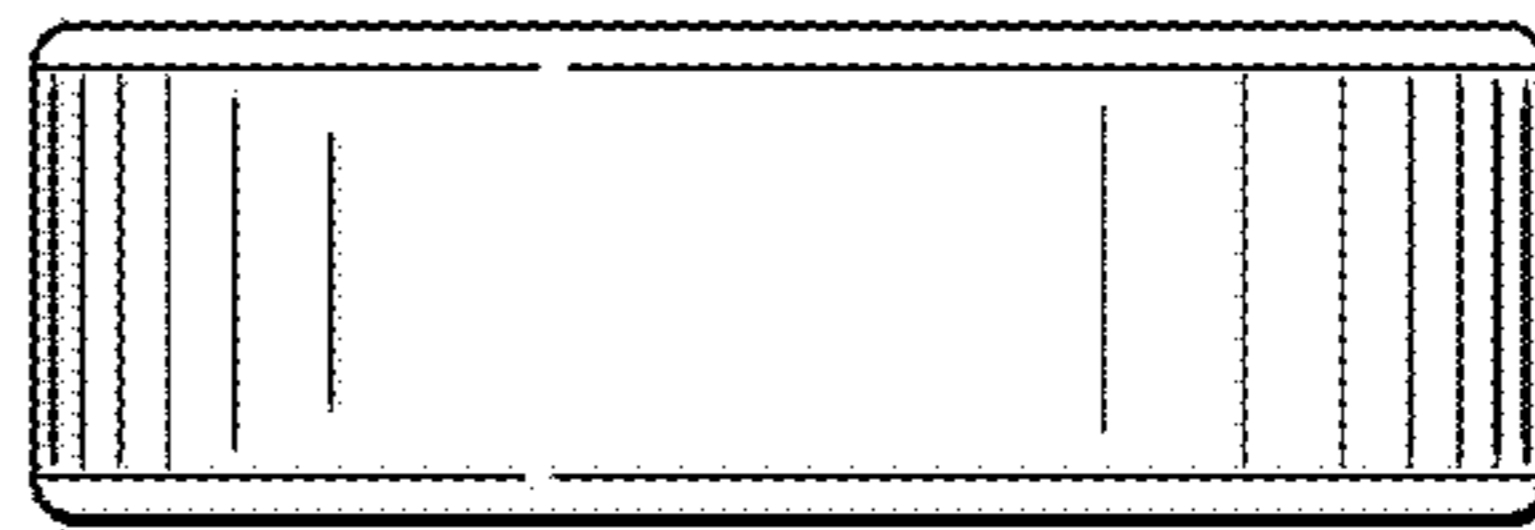


FIG. 5

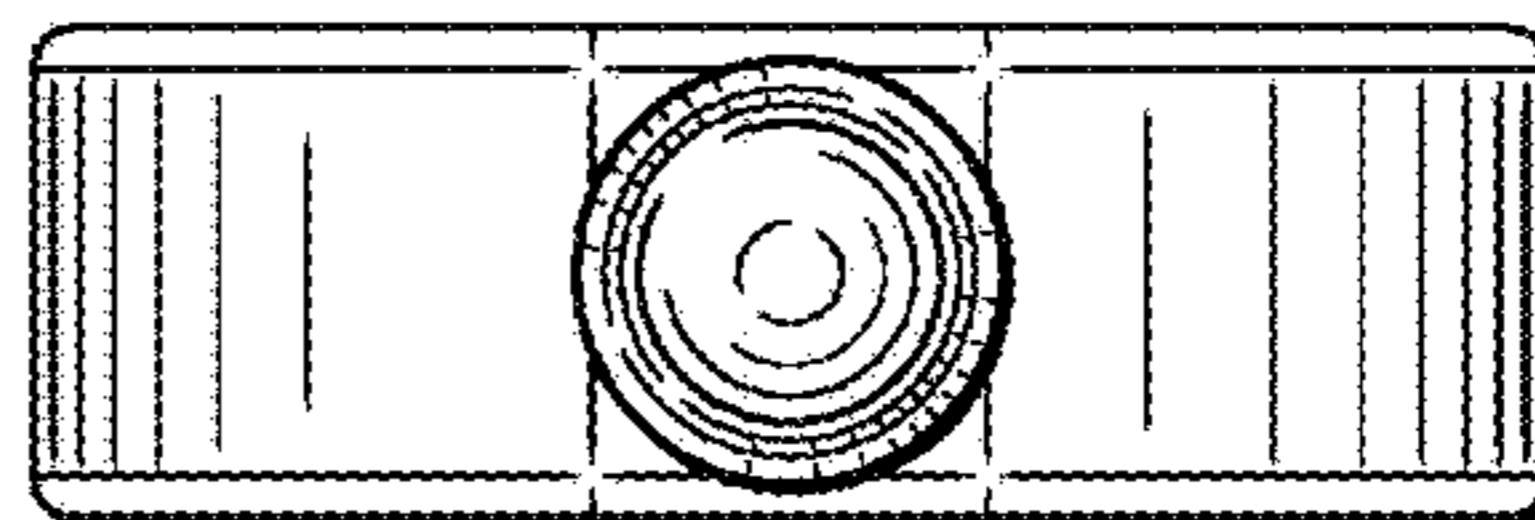


FIG. 6