



US00D850871S

(12) **United States Design Patent** (10) **Patent No.:** **US D850,871 S**
Dubiel et al. (45) **Date of Patent:** **** Jun. 11, 2019**

- (54) **FLUID ADDITIVE INJECTOR**
- (71) Applicant: **CHAPIN MANUFACTURING, INC.**,
Batavia, NY (US)
- (72) Inventors: **David J. Dubiel**, North Chili, NY (US);
Edward J. Horeth, Rochester, NY
(US)
- (73) Assignee: **Chapin Manufacturing, Inc.**, Batavia,
NY (US)
- (**) Term: **15 Years**
- (21) Appl. No.: **29/612,490**
- (22) Filed: **Aug. 1, 2017**
- (51) **LOC (11) Cl.** **08-02**
- (52) **U.S. Cl.**
USPC **D8/2**
- (58) **Field of Classification Search**
USPC D23/225; D8/2, 1; D15/13, 26, 5
CPC A01C 23/04; A01C 23/042; B01F 1/0033;
B01F 2001/0088; B01F 2001/0094; B01F
2215/0055; B01F 5/0496; A01M 7/00;
Y10T 137/3112; Y10T 137/3109; Y10T
137/309
See application file for complete search history.

(56) **References Cited**

U.S. PATENT DOCUMENTS

D119,475 S * 3/1940 Paskewitz D15/13
2,599,678 A * 6/1952 Walker A01C 23/042
137/205.5

3,194,444 A 7/1965 Hubert
D255,416 S * 6/1980 Nicol D8/2
4,846,214 A 7/1989 Strong
D309,309 S * 7/1990 Sundheim D15/13
5,181,533 A * 1/1993 Kooi B01F 1/0016
137/268

5,246,168 A 9/1993 Williams

D371,057 S * 6/1996 Nicol D24/114
5,544,810 A 8/1996 Horvath, Jr. et al.
5,988,912 A * 11/1999 Chen B01F 5/0496
401/137

6,604,546 B1 8/2003 Gilmore
D640,786 S * 6/2011 Sato D24/117
D644,074 S * 8/2011 Franchini D8/1
2002/0027172 A1 * 3/2002 Whiteley A01C 23/042
239/310
2007/0243265 A1 * 10/2007 Papageorge C01B 7/14
424/667

(Continued)

Primary Examiner — T Chase Nelson

Assistant Examiner — Ania Aman

(74) *Attorney, Agent, or Firm* — Woods Oviatt Gilman
LLP; Katherine H. McGuire, Esq.

(57) **CLAIM**

The ornamental design for a fluid additive injector, as shown
and described.

DESCRIPTION

FIG. 1 is a perspective view looking downwardly from the
left side of the front of a fluid additive injector in accordance
with our design;

FIG. 2 is a perspective view looking downwardly from the
right side of the front thereof

FIG. 3 is a front view thereof;

FIG. 4 is a rear view thereof;

FIG. 5 is a left elevational view thereof;

FIG. 6 is a right elevational view thereof;

FIG. 7 is a top view thereof;

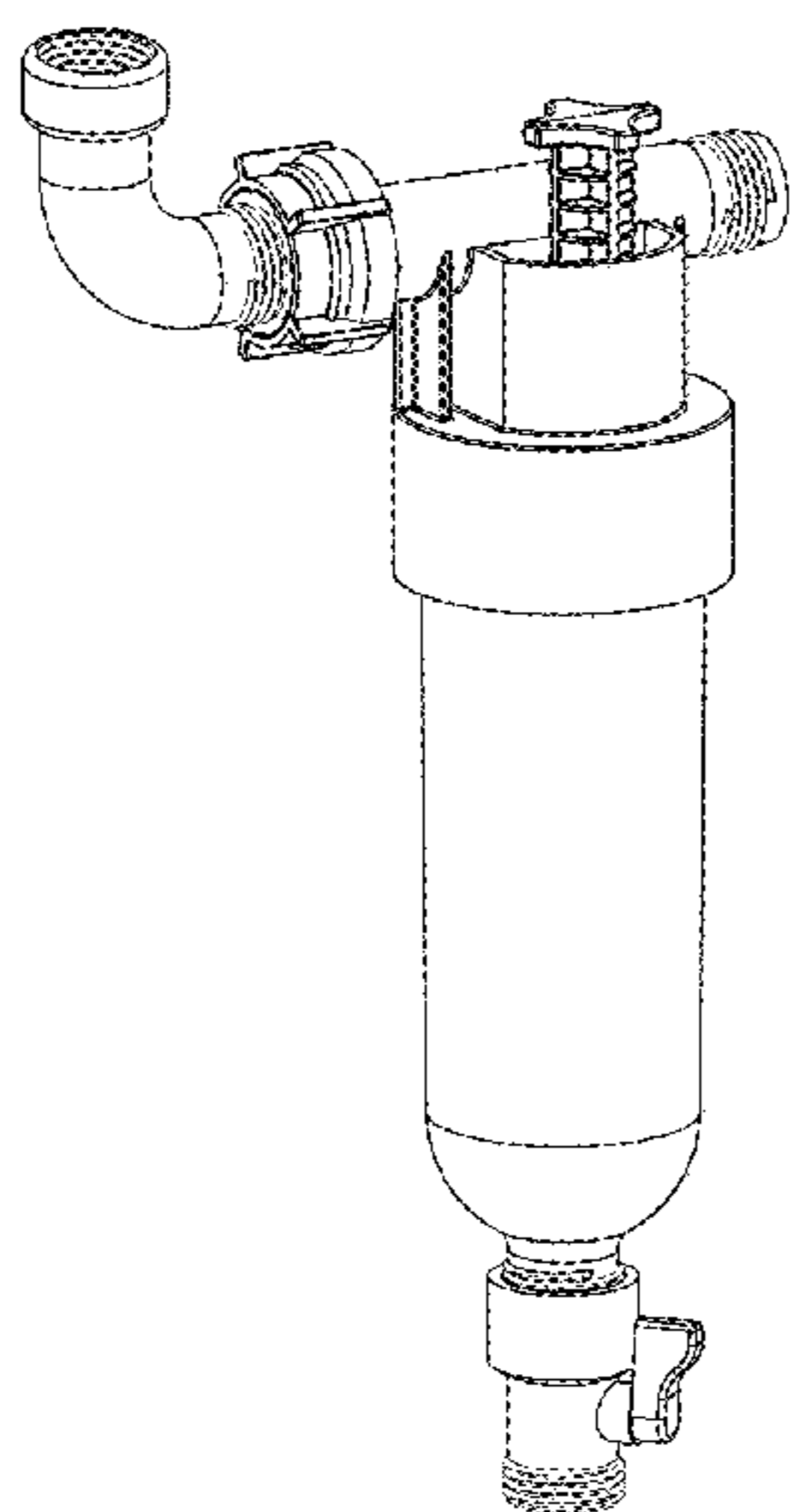
FIG. 8 is a bottom view thereof;

FIG. 9 is a perspective view looking downwardly from the
left side of the top thereof;

FIG. 10 is a perspective view looking upwardly from the left
side of the front thereof; and,

FIG. 11 is a perspective view looking downwardly from the
left side of the rear thereof.

1 Claim, 10 Drawing Sheets



(56)

References Cited

U.S. PATENT DOCUMENTS

2011/0283996 A1* 11/2011 Abrams A61M 11/02
128/200.21
2017/0259281 A1* 9/2017 Carpanese B05B 15/68
2019/0022606 A1* 1/2019 Dubiel B01F 5/0413

* cited by examiner

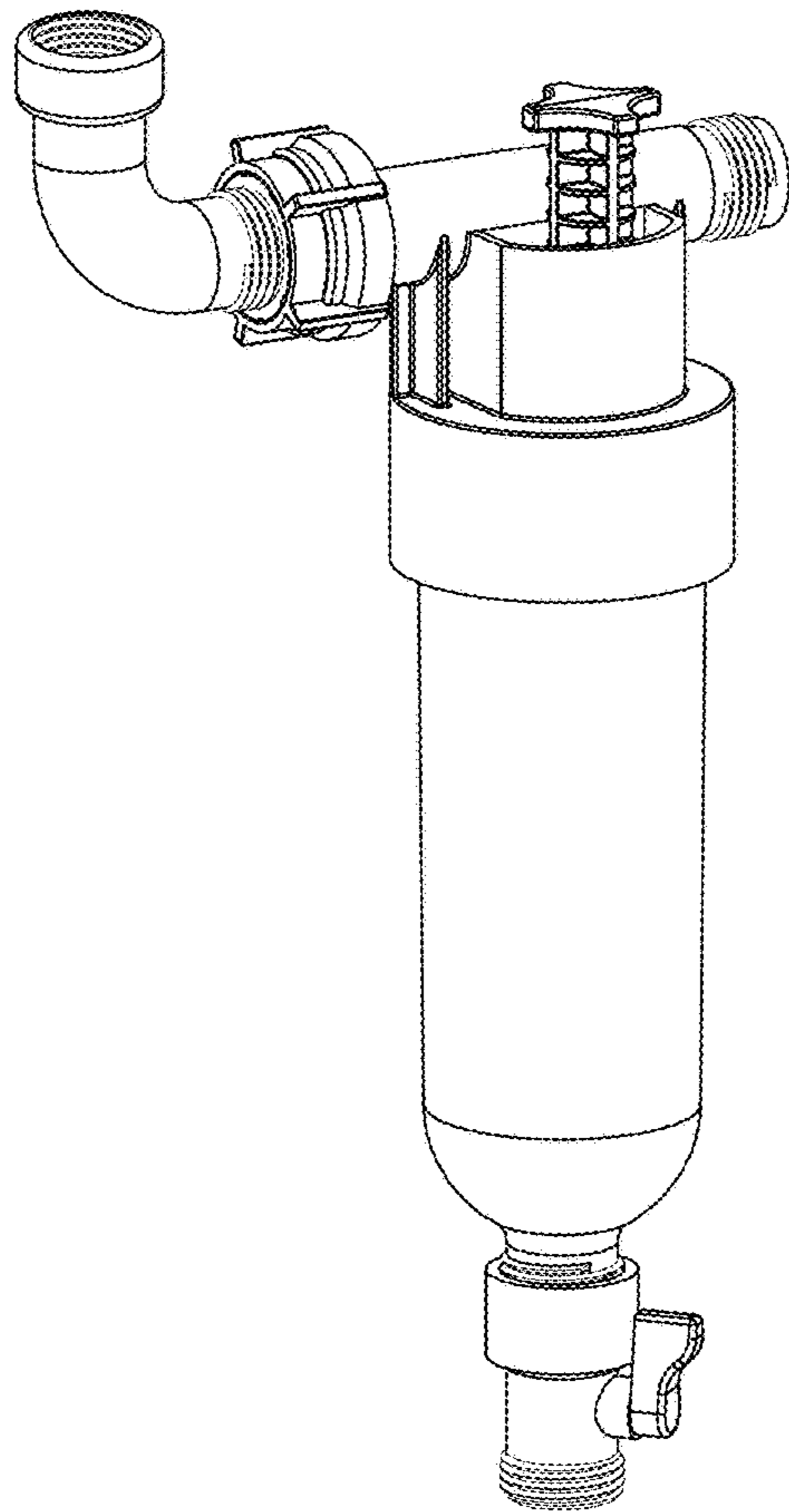


FIG. 1

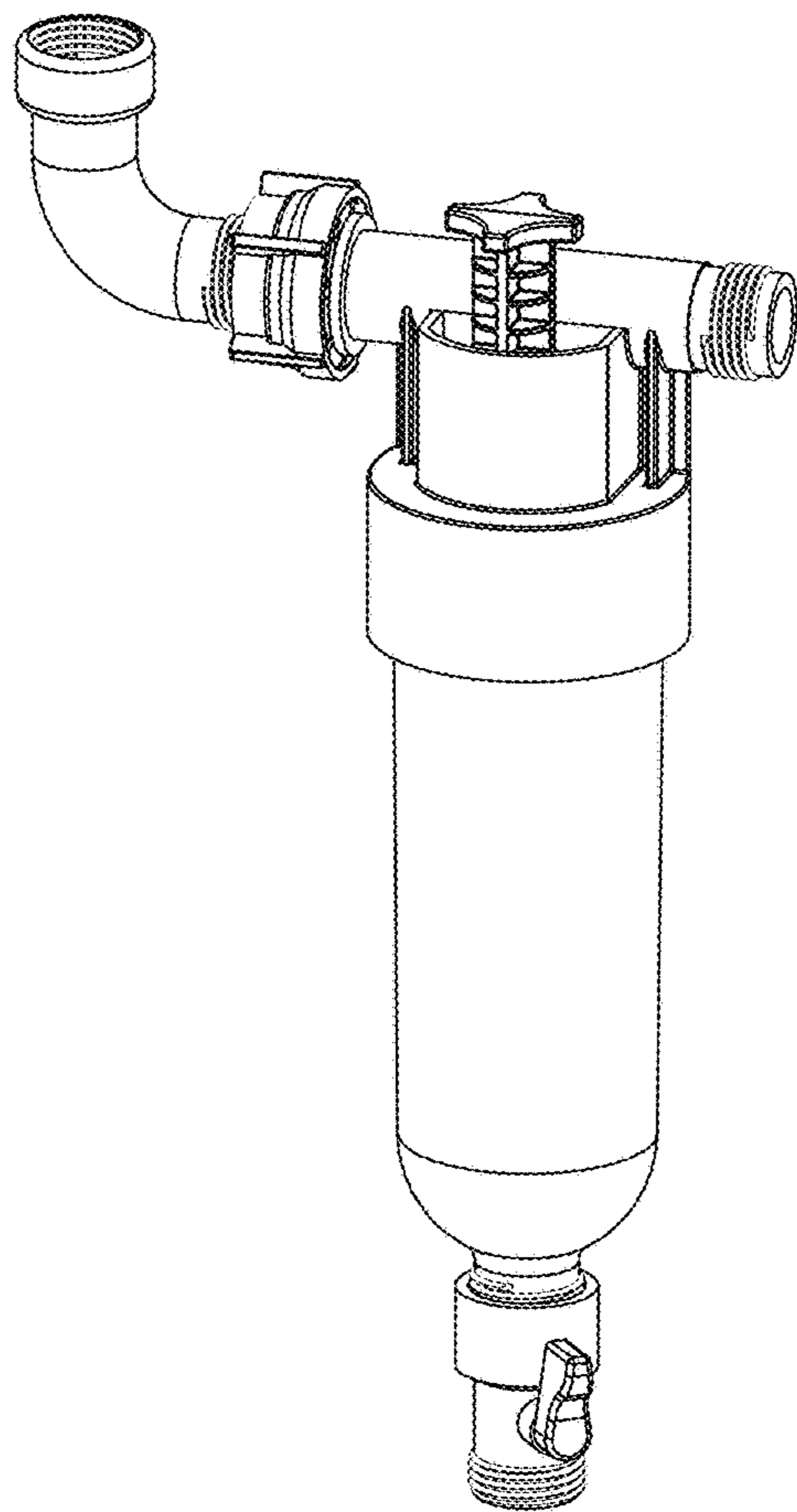


FIG.2

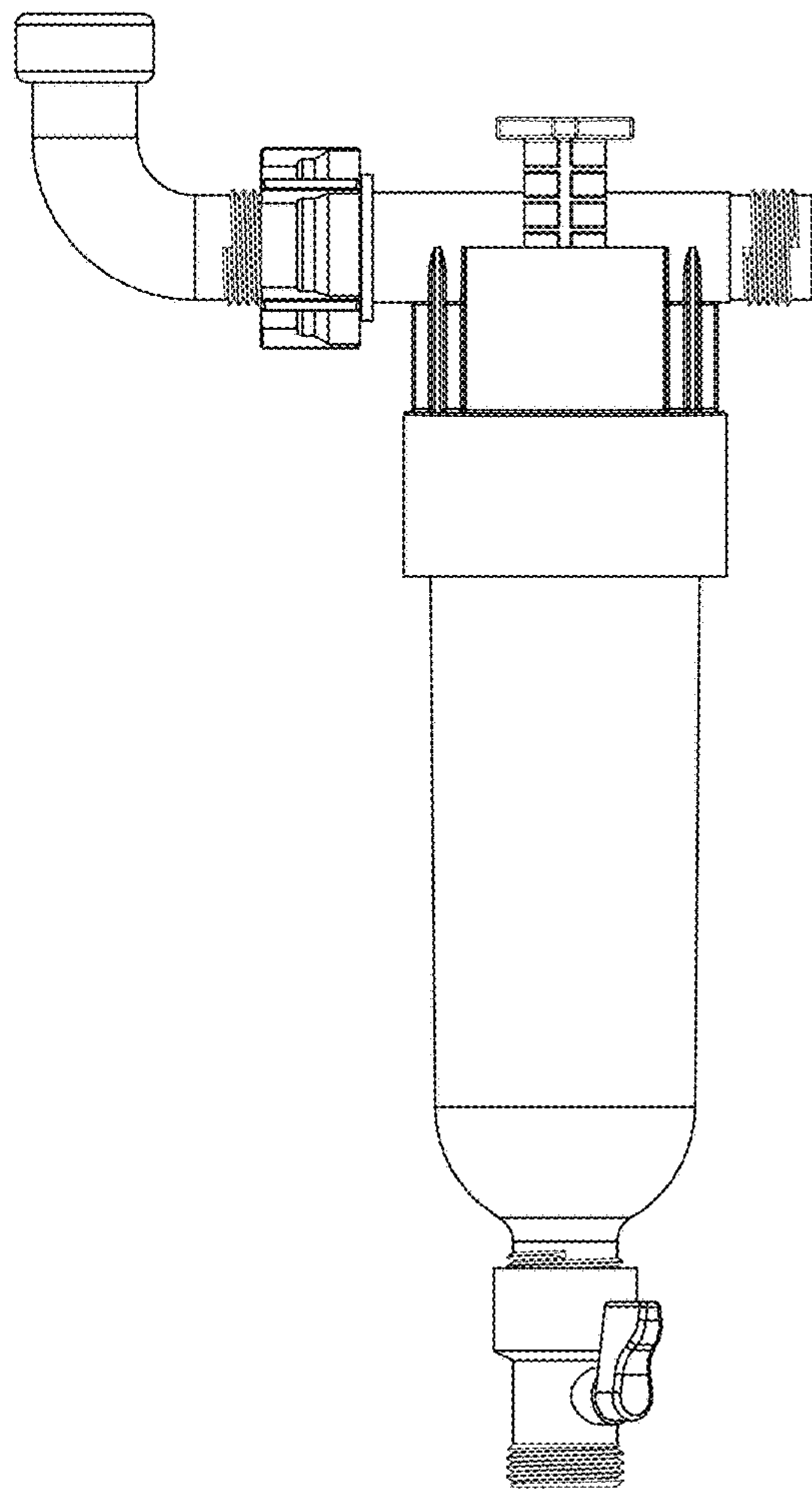


FIG.3

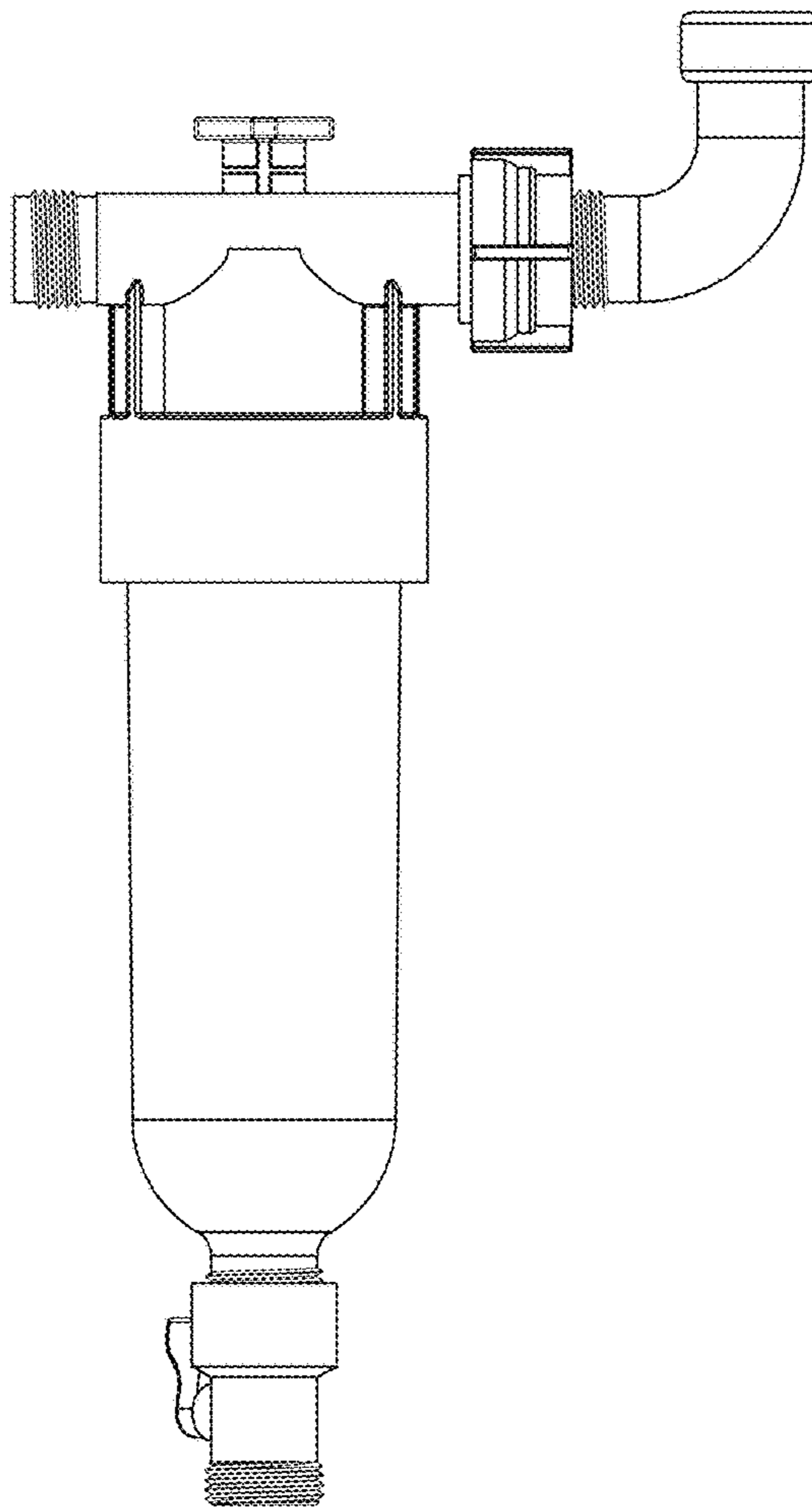


FIG.4

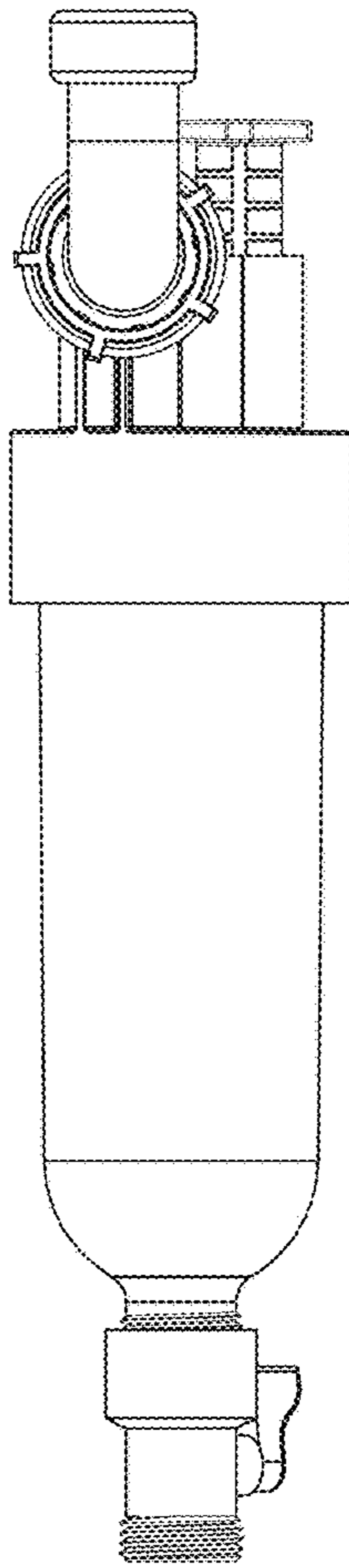


FIG. 5

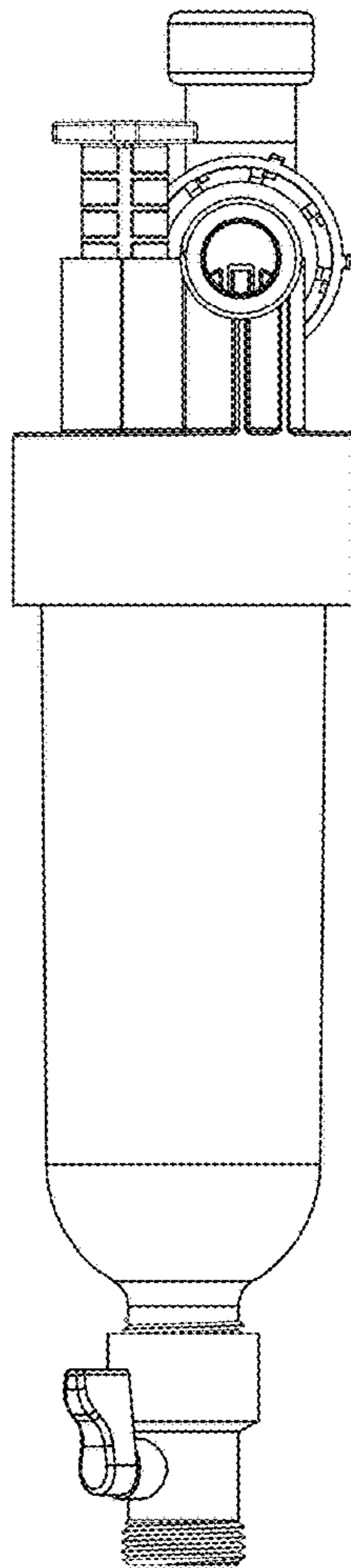


FIG.6

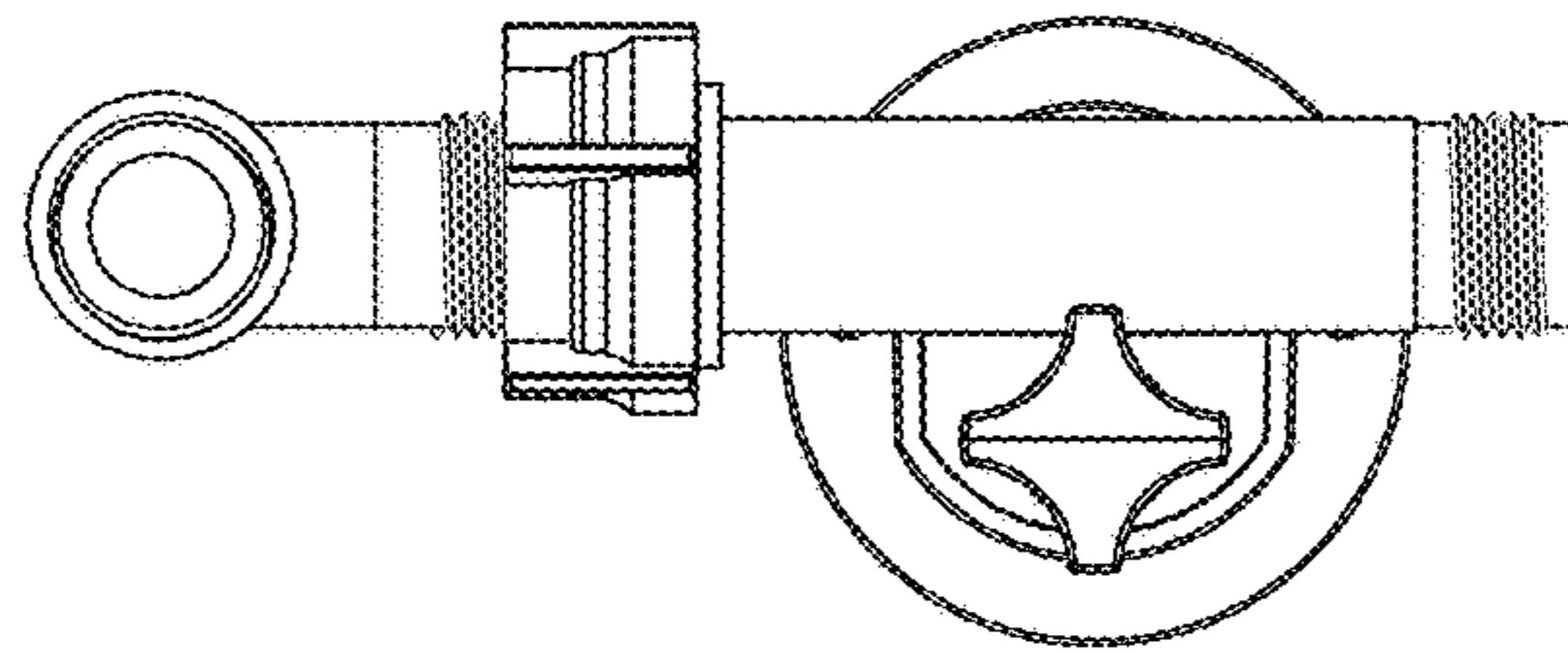


FIG. 7

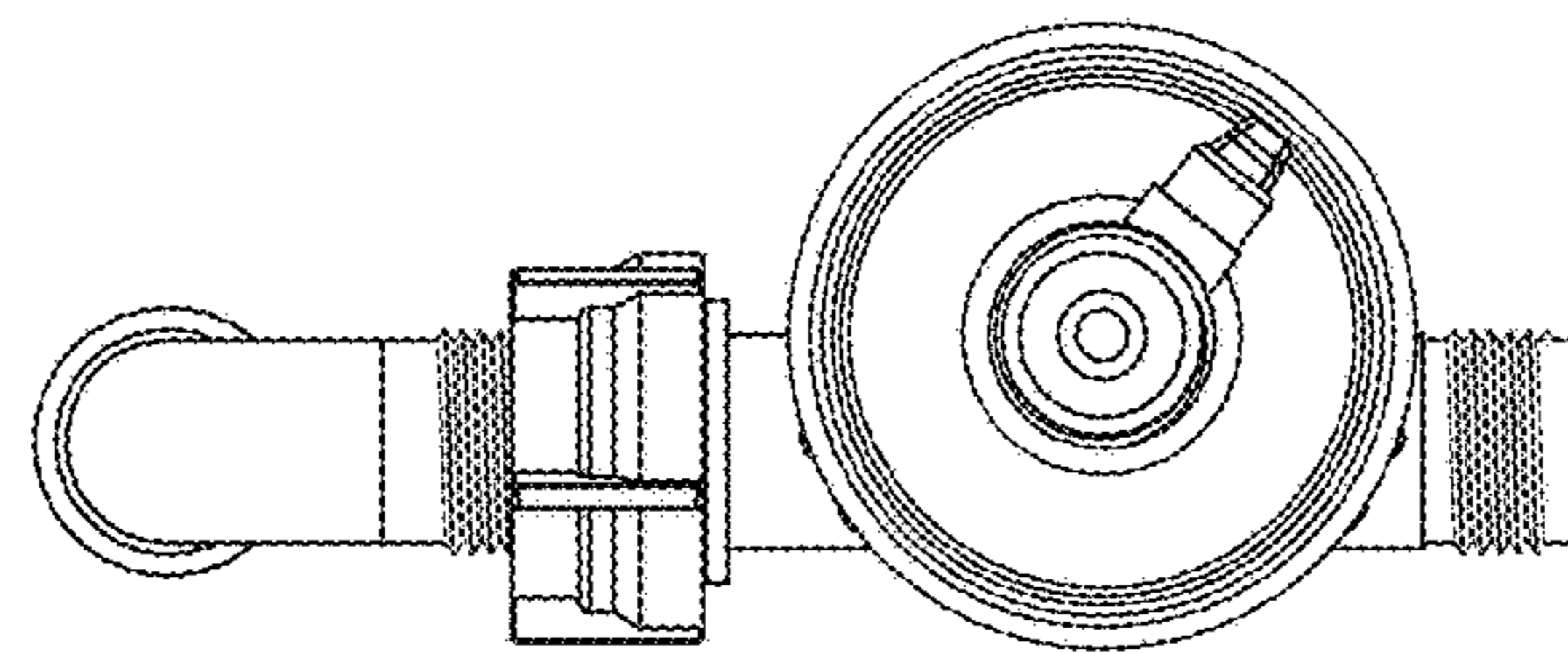


FIG. 8

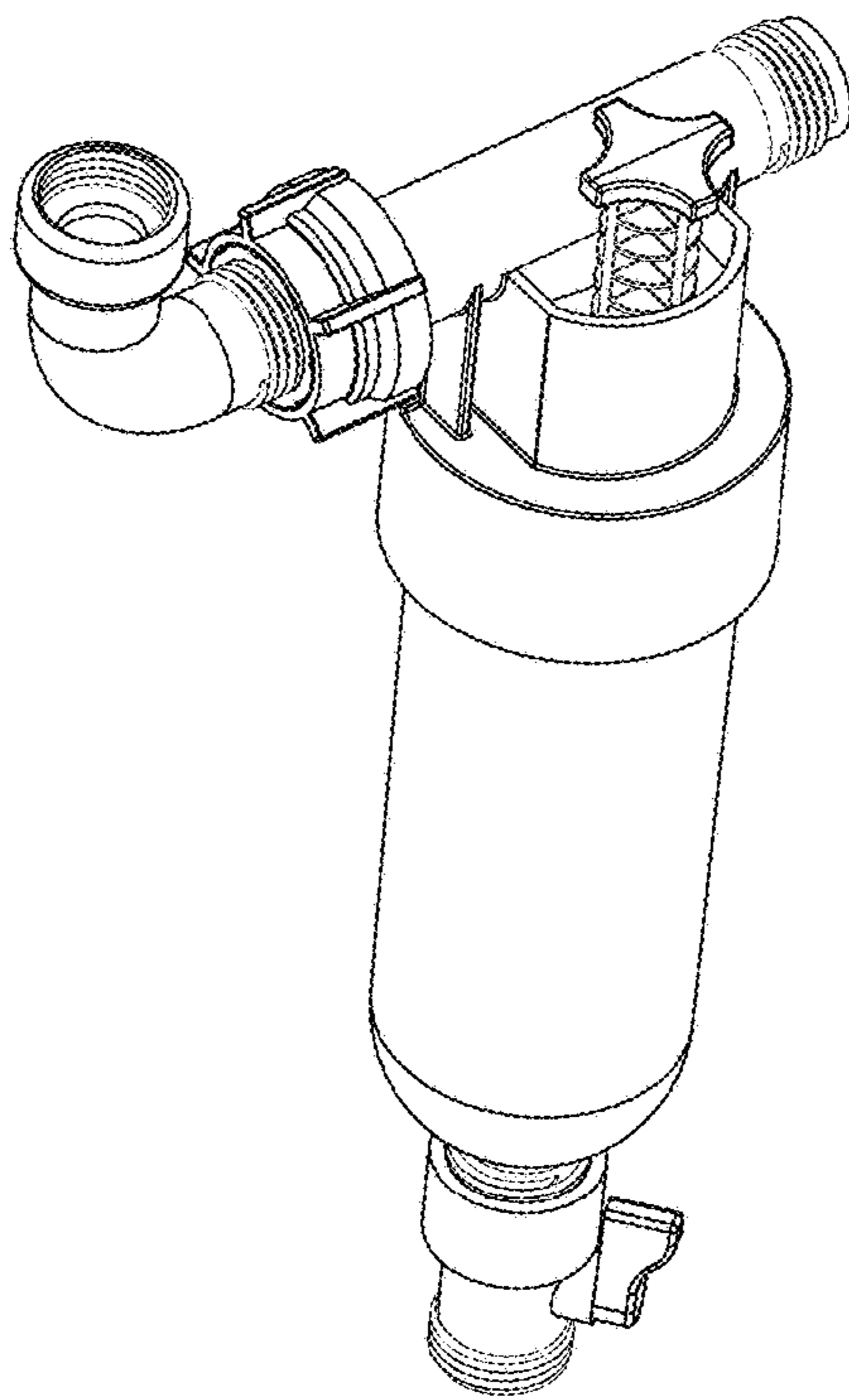


FIG.9

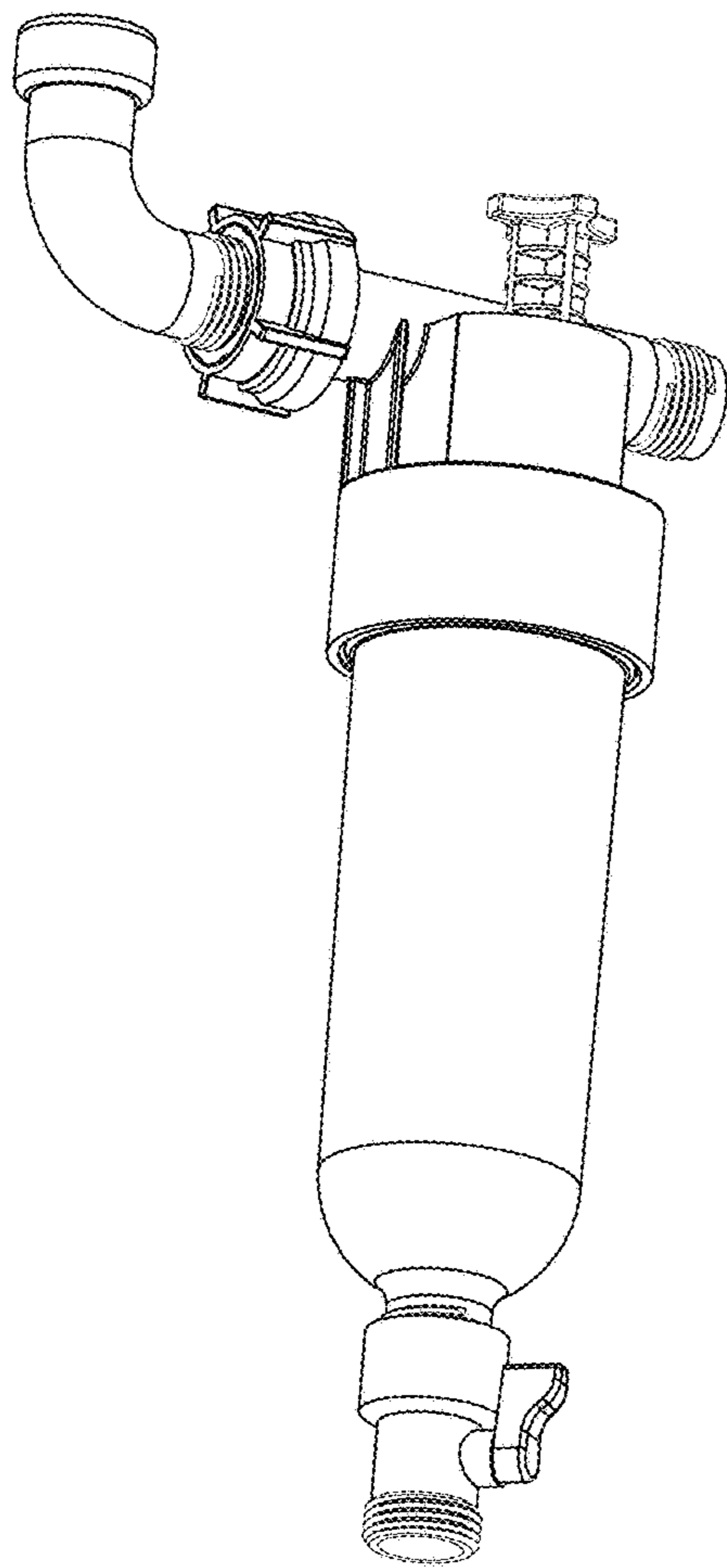


FIG.10

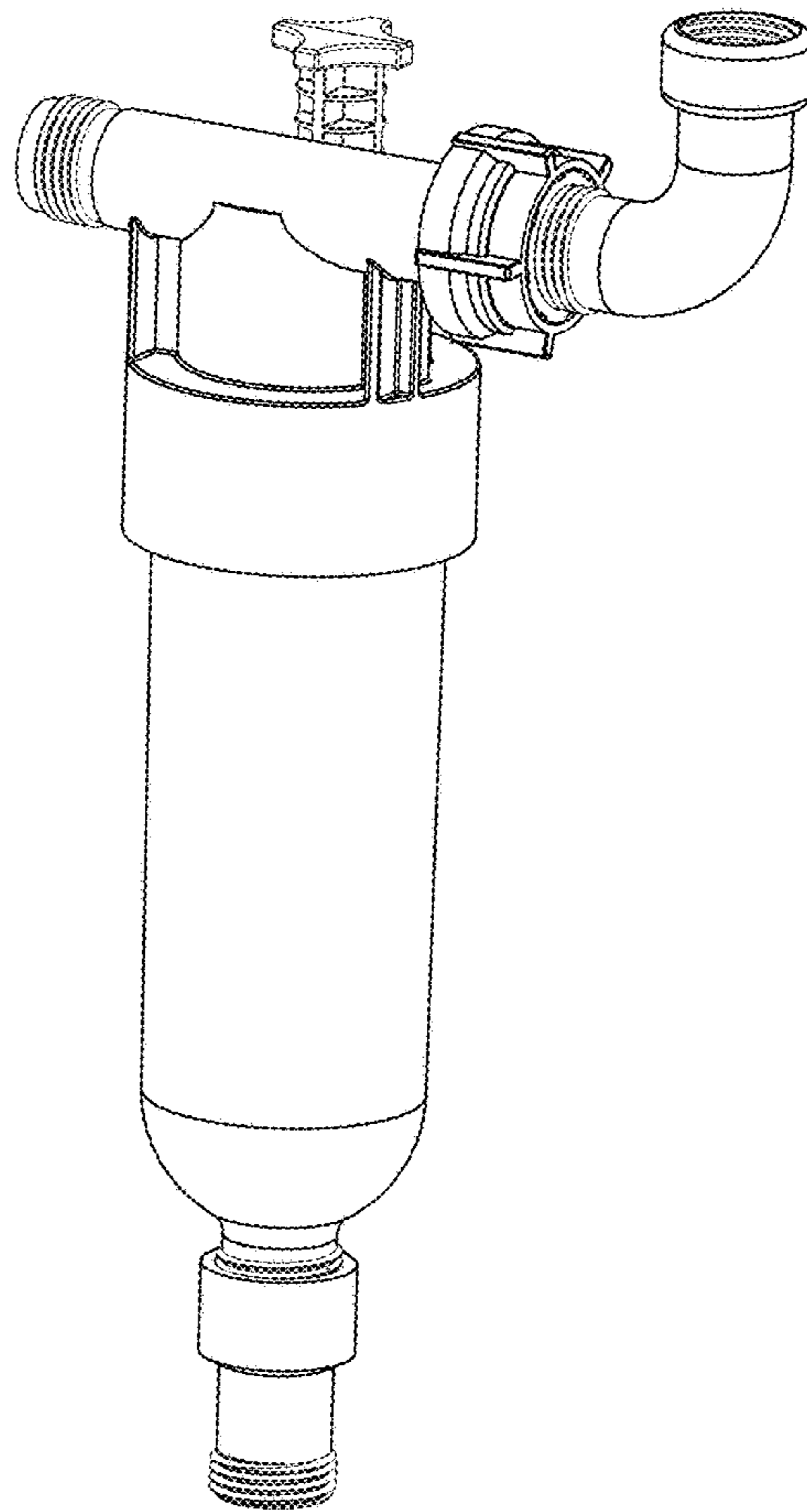


FIG. 11