



US00D850868S

(12) **United States Design Patent**
Lin

(10) **Patent No.:** **US D850,868 S**
(45) **Date of Patent:** **** Jun. 11, 2019**

(54) **FOOD PROCESSOR FOR VEGETABLES AND FRUITS**

(71) Applicant: **Wei-Chih Lin**, New Taipei (TW)

(72) Inventor: **Wei-Chih Lin**, New Taipei (TW)

(**) Term: **15 Years**

(21) Appl. No.: **29/636,399**

(22) Filed: **Feb. 8, 2018**

(51) **LOC (11) Cl.** **31-00**

(52) **U.S. Cl.**
USPC **D7/665; D7/378; D7/384**

(58) **Field of Classification Search**
USPC D7/665, 666, 378, 370, 384, 386, 412
CPC A47J 19/02; A47J 19/027; A47J 19/022;
A47J 43/0727; A47J 43/0794; A47J
43/042; A47J 43/046; A47J 2043/04454;
A23N 1/02; A23N 1/003

See application file for complete search history.

(56) **References Cited**

U.S. PATENT DOCUMENTS

D483,607 S *	12/2003	Chang Chien	D7/378
D504,277 S *	4/2005	Hei	D7/306
D551,914 S *	10/2007	Chang Chien	D7/378
D551,915 S *	10/2007	Chang Chien	D7/378
D638,665 S *	5/2011	Wu	D7/378

D641,214 S *	7/2011	Choi	D7/665
D684,827 S *	6/2013	Kim	D7/665
D698,210 S *	1/2014	Lavy	D7/665
D733,505 S *	7/2015	Choi	D7/665
2003/0099154 A1 *	5/2003	Daniels, Jr.	A47J 43/042 366/191
2005/0207270 A1 *	9/2005	Beesley	A47J 43/0727 366/205

* cited by examiner

Primary Examiner — Terry A Wallace

(74) *Attorney, Agent, or Firm* — Muncy, Geissler, Olds & Lowe, P.C.

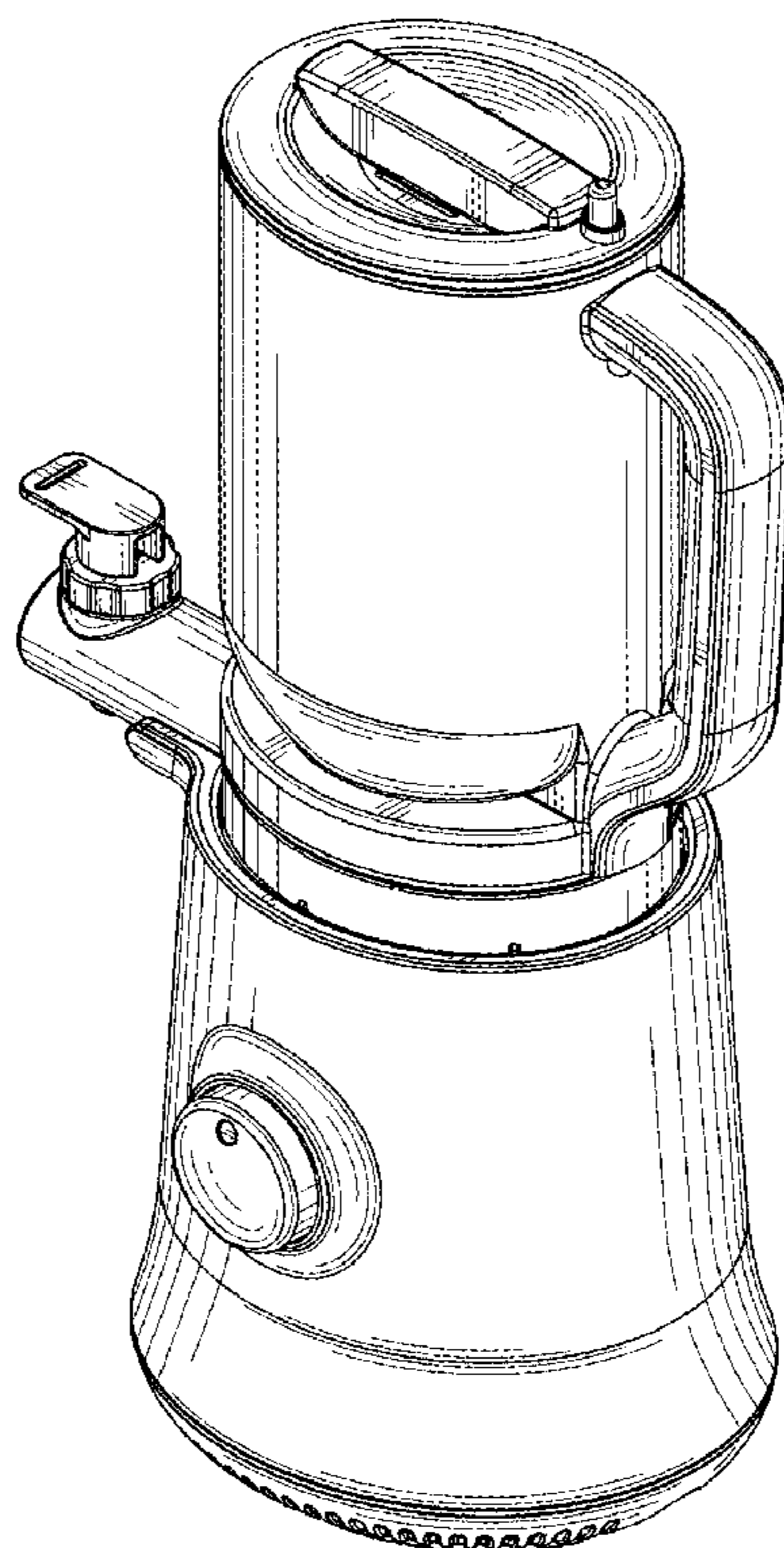
(57) **CLAIM**

The ornamental design for a food processor for vegetables and fruits, as shown and described.

DESCRIPTION

FIG. 1 is a front, right, top perspective view of a food processor for vegetables and fruits showing my new design; FIG. 2 is a front elevational view thereof; FIG. 3 is a rear elevational view thereof; FIG. 4 is a left side elevational view thereof; FIG. 5 is a right side elevational view thereof; FIG. 6 is a top plan view thereof; and, FIG. 7 is a bottom plan view thereof.

1 Claim, 6 Drawing Sheets



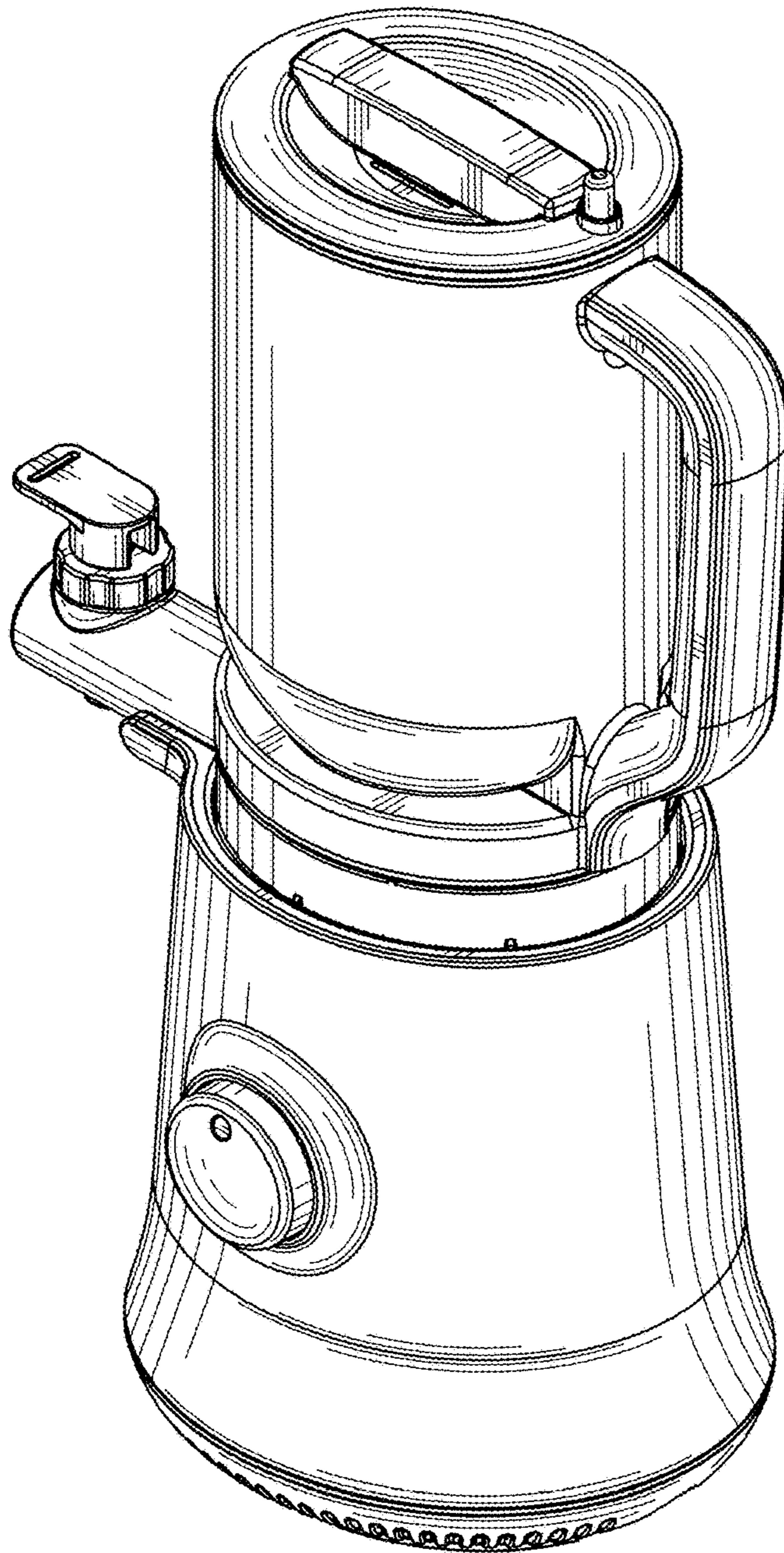


Fig.1

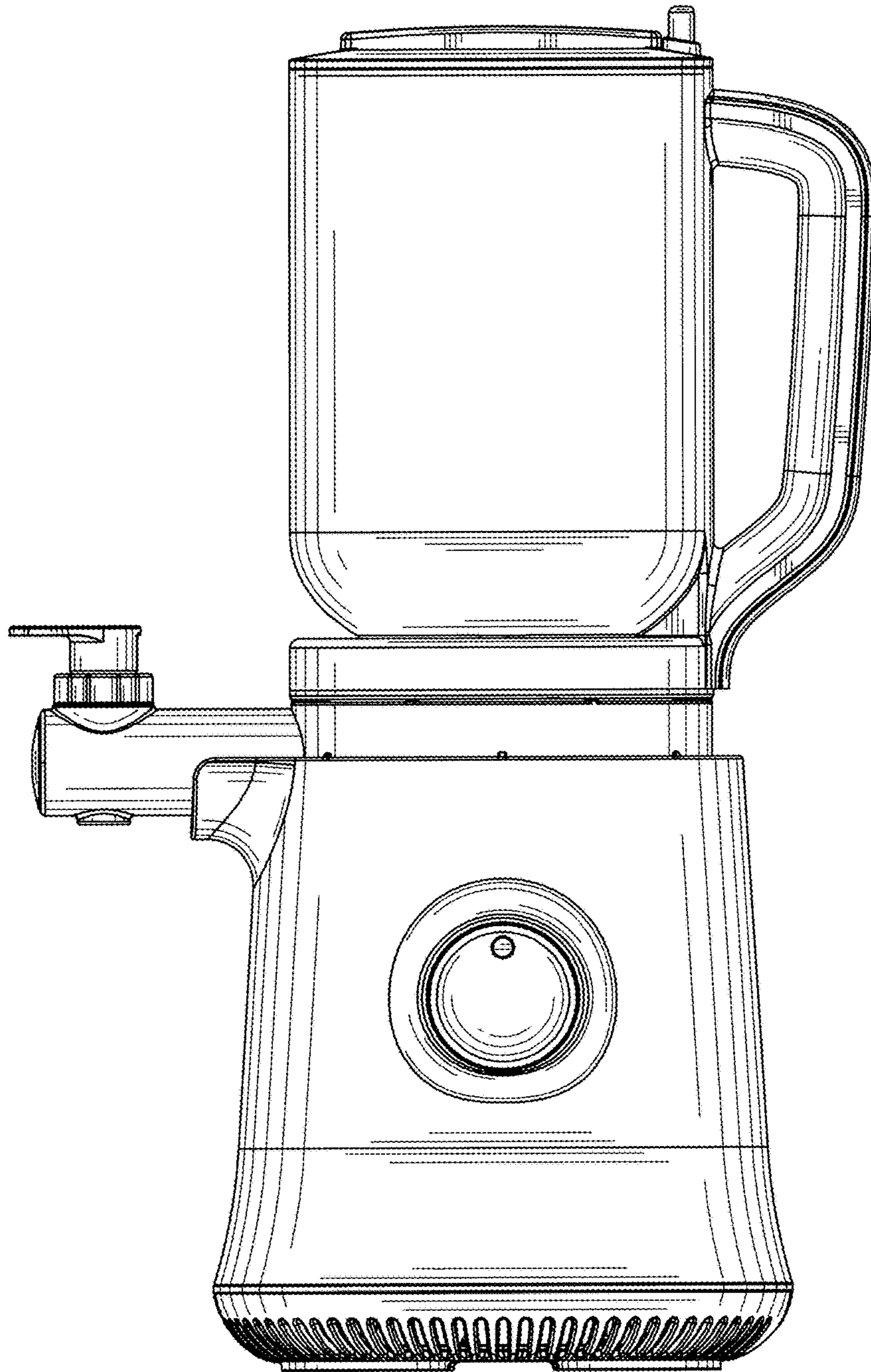


Fig.2

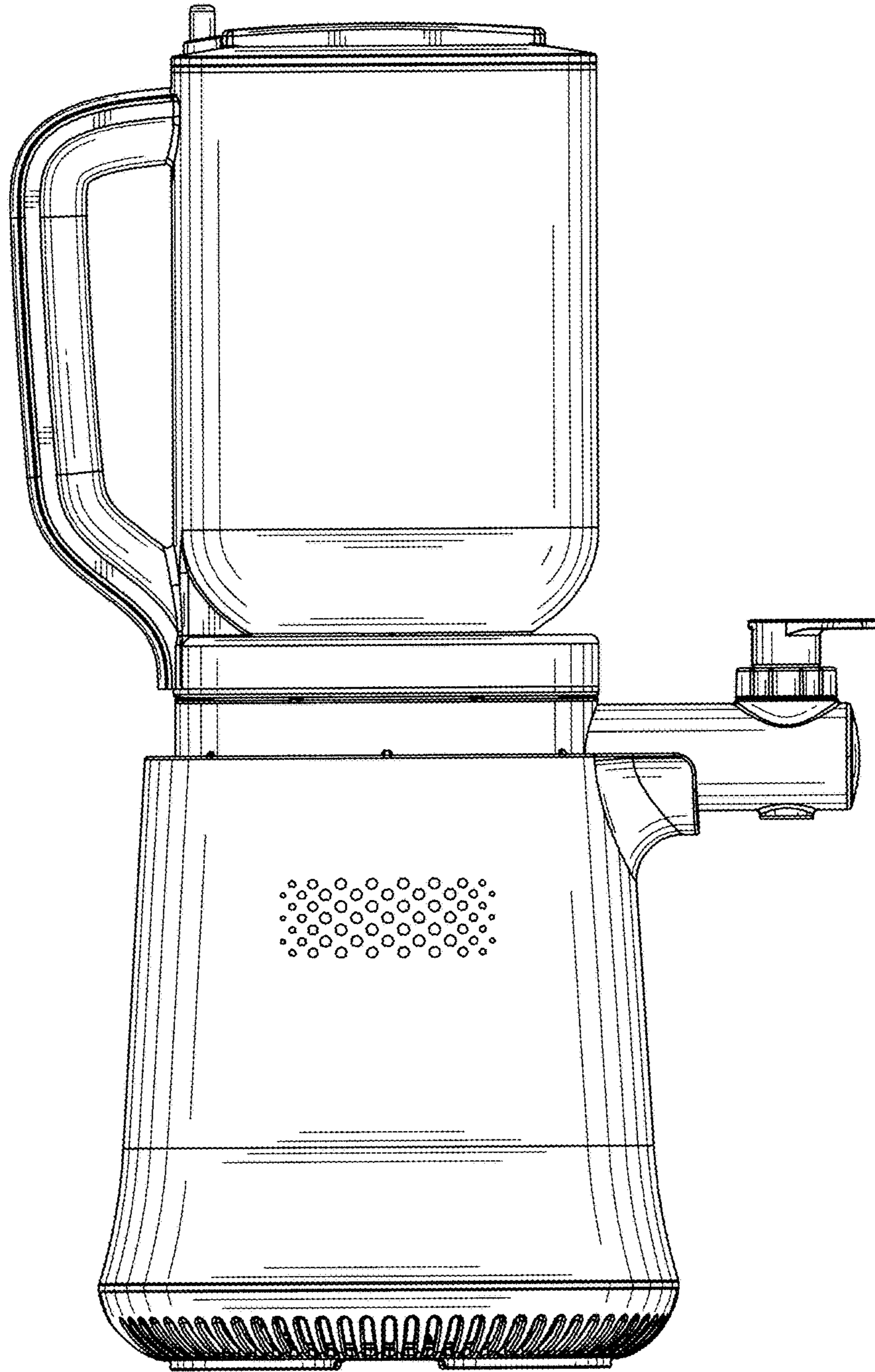


Fig.3

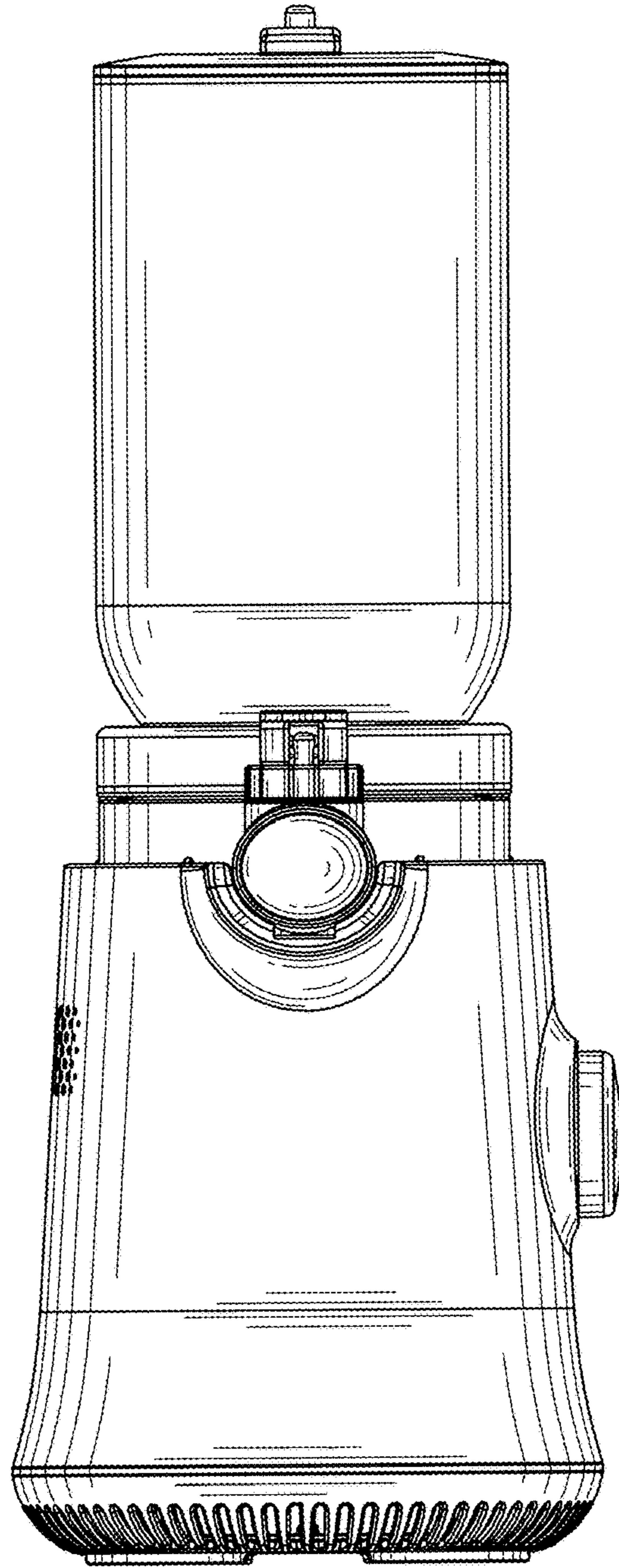


Fig.4

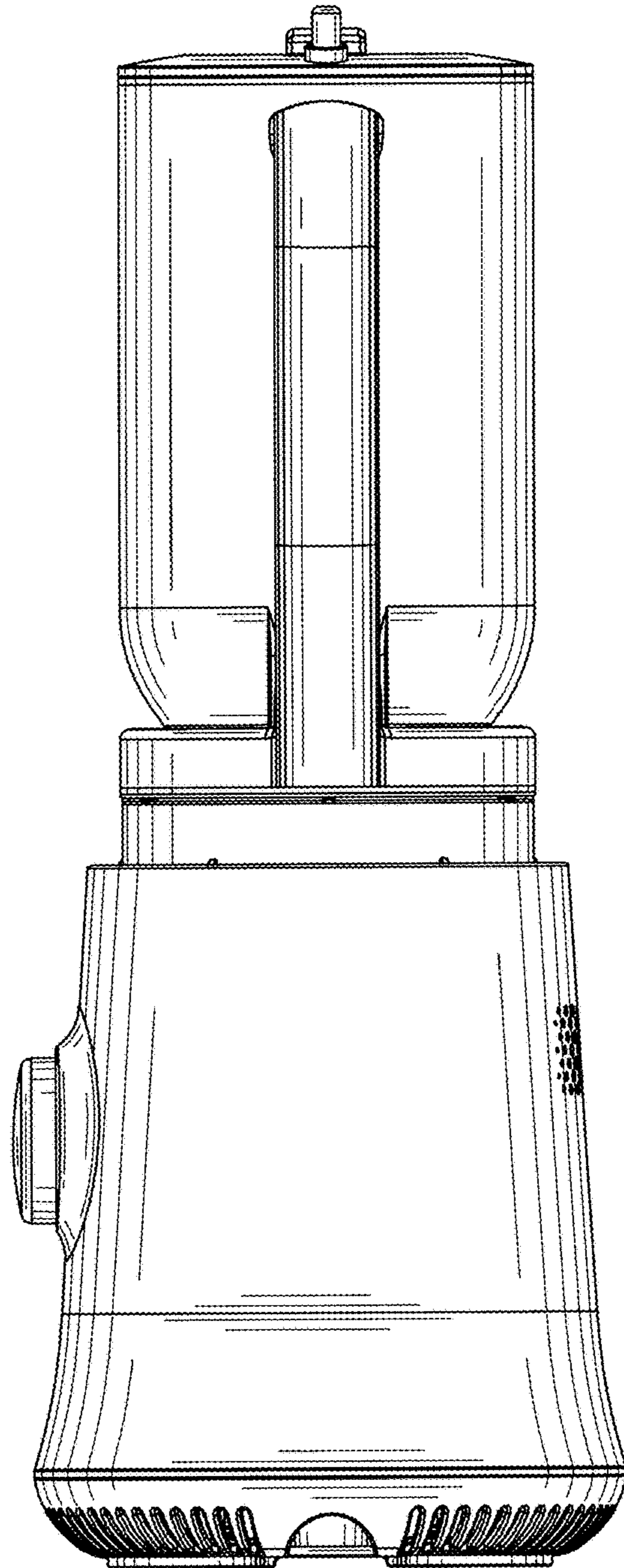


Fig.5

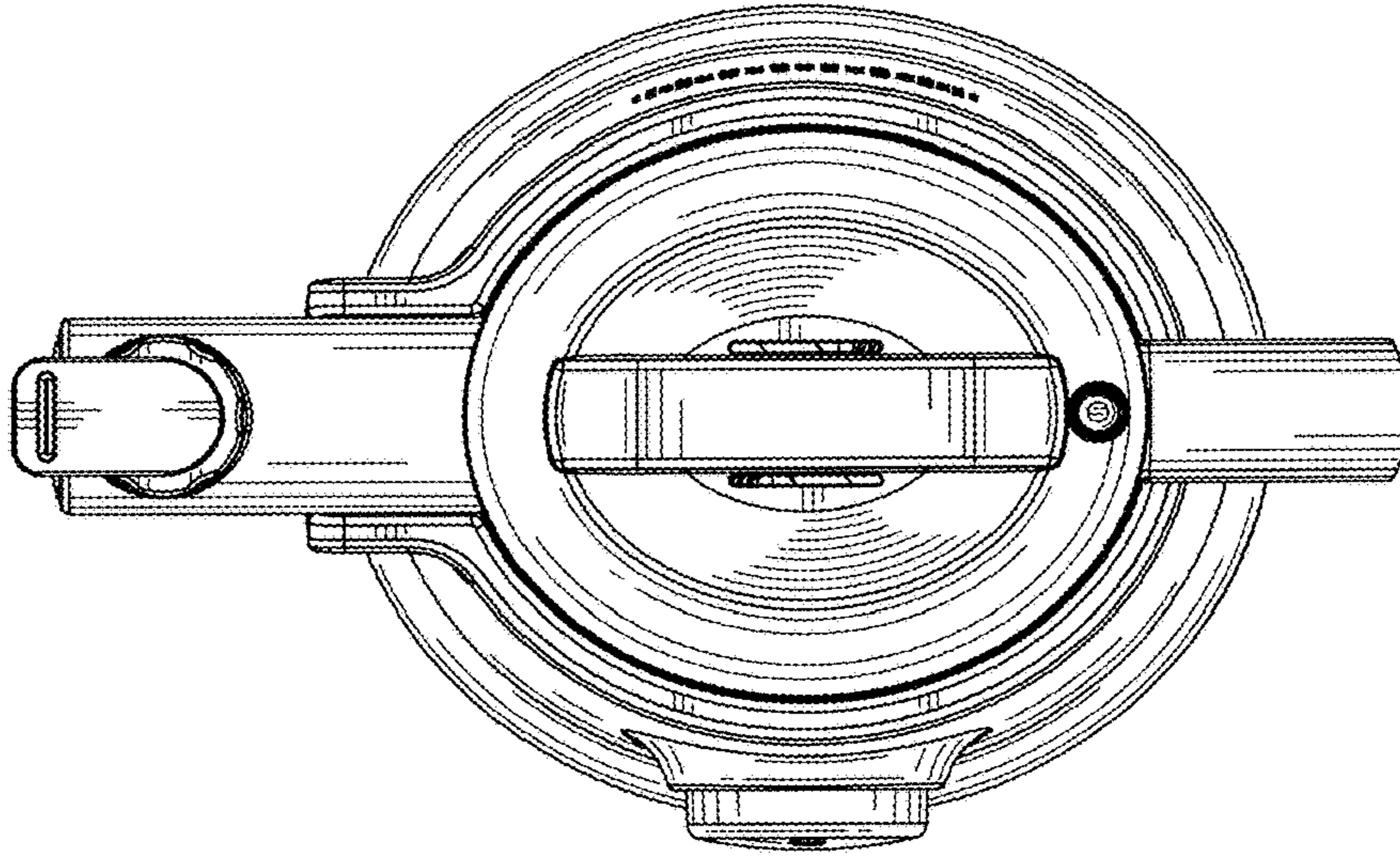


Fig.6

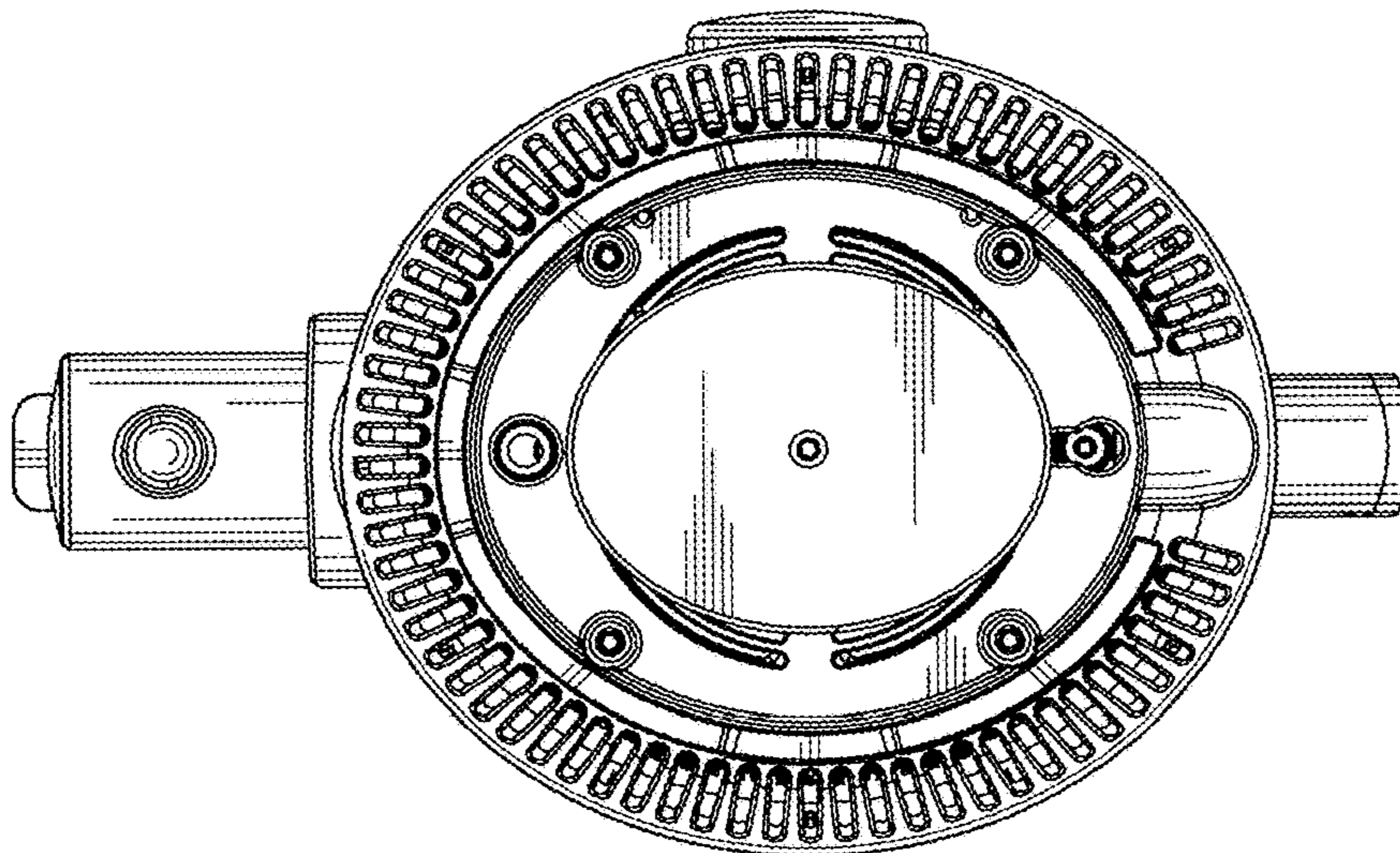


Fig.7