



US00D850863S

(12) **United States Design Patent**  
**Miksovsky et al.**

(10) **Patent No.:** **US D850,863 S**  
(45) **Date of Patent:** **\*\* Jun. 11, 2019**

(54) **COLLAPSIBLE CONTAINER**

(71) Applicant: **humangear, inc.**, San Francisco, CA  
(US)

(72) Inventors: **Christopher A. Miksovsky**, San Francisco, CA (US); **Charles Richard Lewis, Jr.**, Palo Alto, CA (US); **Scott D. Cook**, Oakland, CA (US)

(73) Assignee: **humangear, Inc.**, San Francisco, CA  
(US)

(\*\*) Term: **15 Years**

(21) Appl. No.: **29/607,929**

(22) Filed: **Jun. 16, 2017**

(51) **LOC (11) Cl.** ..... **07-01**

(52) **U.S. Cl.**  
USPC ..... **D7/584**

(58) **Field of Classification Search**  
USPC ..... D7/570, 566, 588, 584, 565, 560; D26/9  
CPC ..... A47G 19/2205; A47G 2019/122  
See application file for complete search history.

(56) **References Cited**

**U.S. PATENT DOCUMENTS**

D361,296 S *	8/1995	Weder	.....	D11/143
D361,298 S *	8/1995	Weder	.....	D11/143
5,439,128 A *	8/1995	Fishman	.....	A45F 3/20 206/218
D397,460 S *	8/1998	Chambers	.....	D11/143
D407,270 S *	3/1999	Wilson	.....	D7/523
D410,096 S *	5/1999	Majerowski	.....	D26/9
D482,465 S *	11/2003	Slomowitz	.....	D26/11
D551,909 S *	10/2007	Eide	.....	D7/560
D556,513 S *	12/2007	Yelland	.....	D7/516
D595,090 S *	6/2009	Benson	.....	D7/509
D629,264 S *	12/2010	Curtin	.....	D7/602

D659,197 S 5/2012 Slone et al.  
D719,407 S \* 12/2014 Liming ..... D7/523  
D719,410 S \* 12/2014 Lee ..... D7/602  
(Continued)

**OTHER PUBLICATIONS**

Guyot Designs, "Squishy Bowl and Cup Set", <https://www.amazon.com/Guyot-Designs-Squishy-Bowl-Cup/dp/B002YMHCXK>, downloaded from the internet on Sep. 12, 2017.  
(Continued)

*Primary Examiner* — Cynthia R Underwood  
(74) *Attorney, Agent, or Firm* — Beyer Law Group LLP

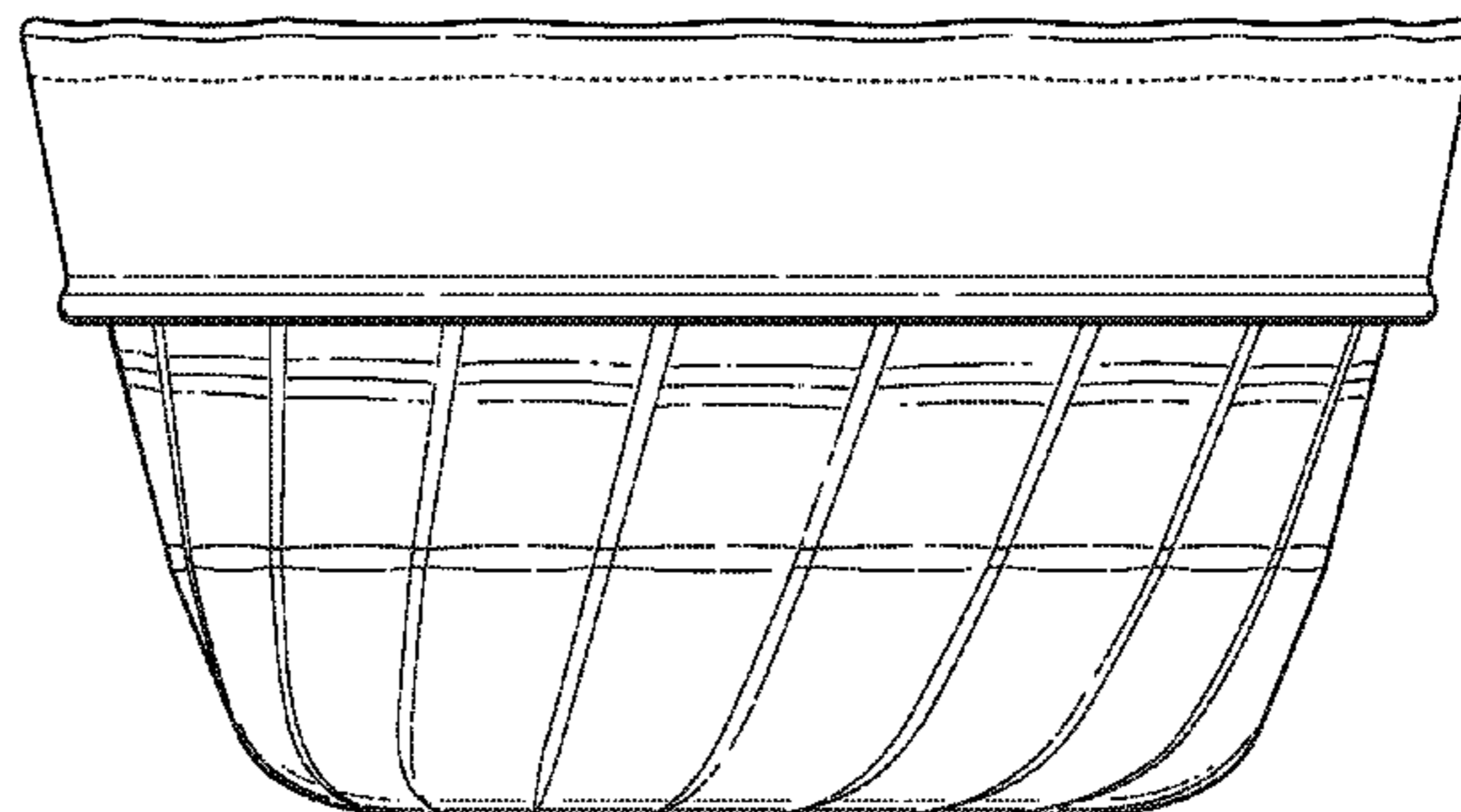
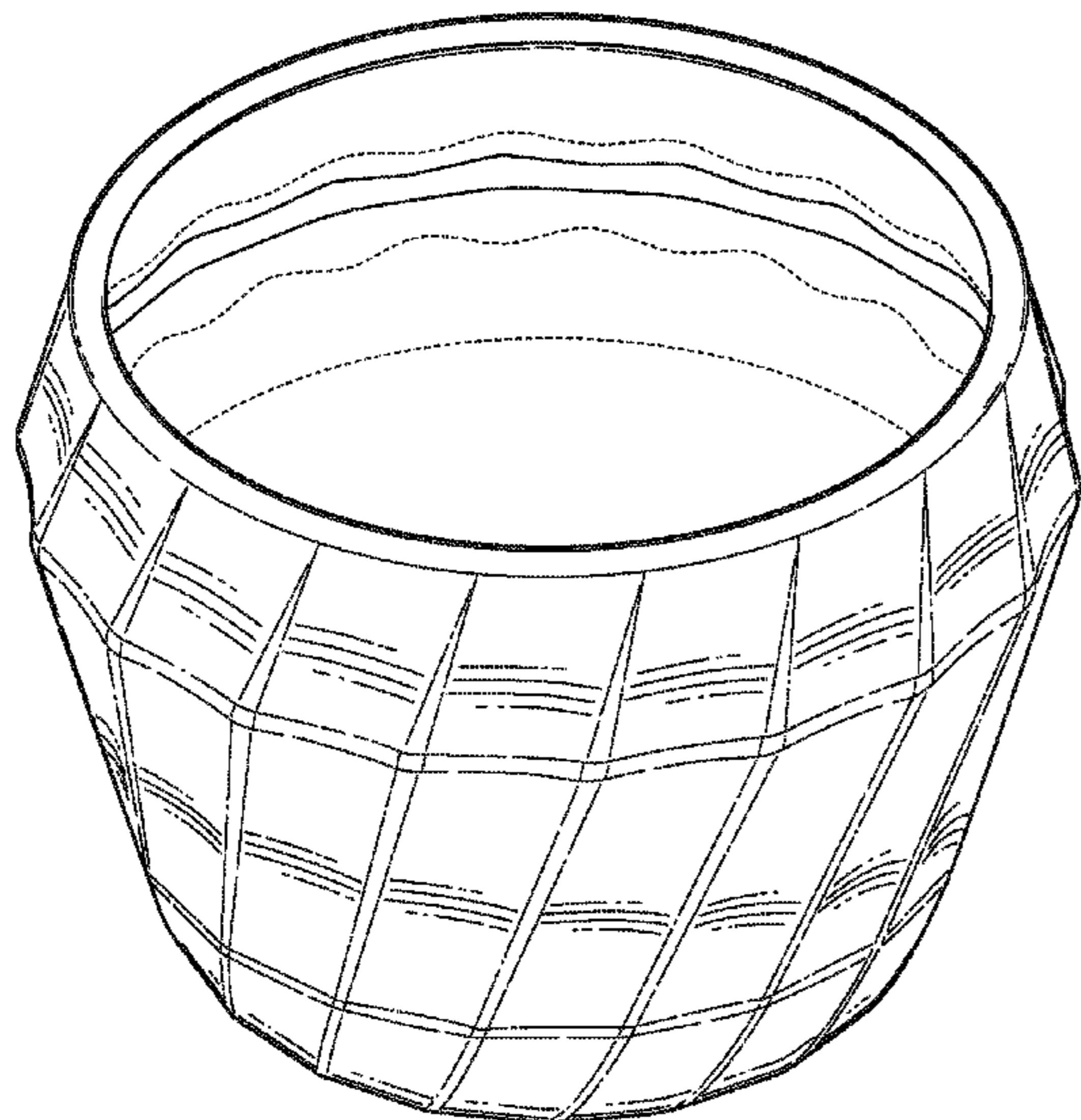
(57) **CLAIM**

We claim the ornamental design for a collapsible container, substantially as shown and described.

**DESCRIPTION**

FIG. 1 is a perspective view of a collapsible container showing our new design.  
FIG. 2 is a front elevational view thereof, the right side elevational view, the left side elevational view and the back elevational view being the same as the front elevational view.  
FIG. 3 is a top view thereof,  
FIG. 4 is a bottom view thereof,  
FIG. 5 is a perspective view thereof, with an upper section of the body in a folded position.  
FIG. 6 is a front elevational view thereof, with the upper section of the body in a folded position; and,  
FIG. 7 is a top view thereof, with the upper section of the body in a folded position.  
The broken lines in the drawings depict portions of the collapsible container that form no part of the claimed design. The collapsible container has an annular hinge that permits an upper section of the body of the collapsible container to be folded into the position shown in FIGS. 5 and 6.

**1 Claim, 7 Drawing Sheets**



(56)

**References Cited**

## U.S. PATENT DOCUMENTS

D721,542 S \* 1/2015 Liming ..... D7/523  
9,044,082 B2 \* 6/2015 Kusuma ..... A45F 3/20  
9,079,685 B2 \* 7/2015 Sudakoff ..... B65D 21/086  
D746,640 S \* 1/2016 Myoung ..... D7/527  
D759,420 S \* 6/2016 Lee ..... D7/354  
D774,829 S \* 12/2016 Passot ..... D7/509  
D783,365 S \* 4/2017 Hsu ..... D7/584  
D787,274 S \* 5/2017 Gagnon ..... D7/586  
D794,991 S \* 8/2017 Vazin ..... D7/301  
D815,911 S \* 4/2018 Prinz ..... D7/523  
D819,390 S \* 6/2018 Facquet ..... D7/359  
D819,405 S \* 6/2018 Li ..... D7/531  
D823,643 S \* 7/2018 Paul ..... D7/584  
D835,943 S \* 12/2018 Arseneau ..... D7/586  
2008/0099476 A1 \* 5/2008 Fung ..... A47J 36/02  
220/6

## OTHER PUBLICATIONS

Sea to Summit, "X-Bowl", [https://www.amazon.com/Sea-to-Summit-X-Bowl-Lime/dp/B004BKR0Y4/ref=sr\\_1\\_3?s=sporting-goods&ie=UTF8&qid=1505251019&sr=1-3&keywords=sea+to+summit+x+bowl](https://www.amazon.com/Sea-to-Summit-X-Bowl-Lime/dp/B004BKR0Y4/ref=sr_1_3?s=sporting-goods&ie=UTF8&qid=1505251019&sr=1-3&keywords=sea+to+summit+x+bowl), downloaded from the internet on Sep. 12, 2017.

\* cited by examiner

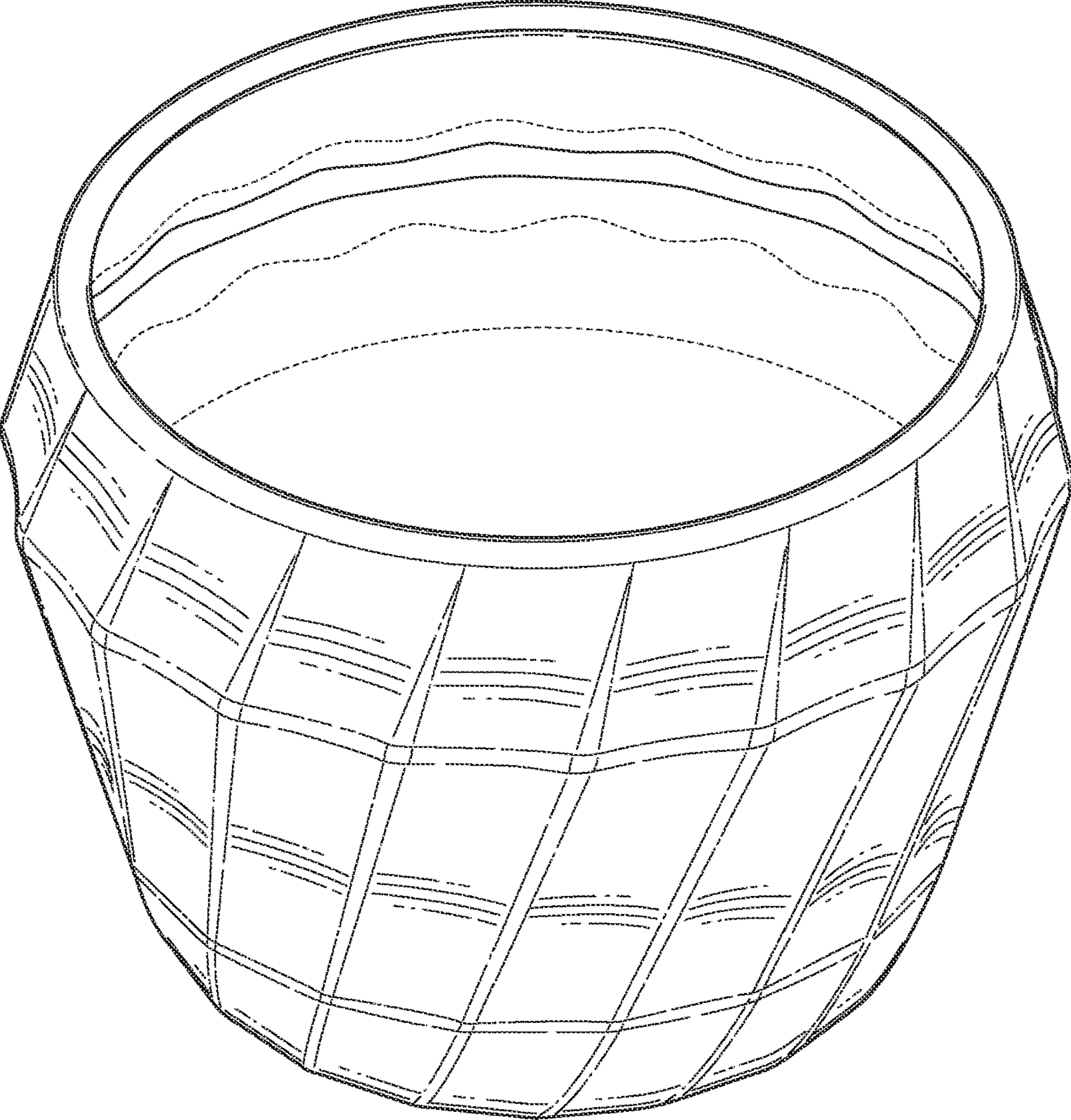


FIG. 1

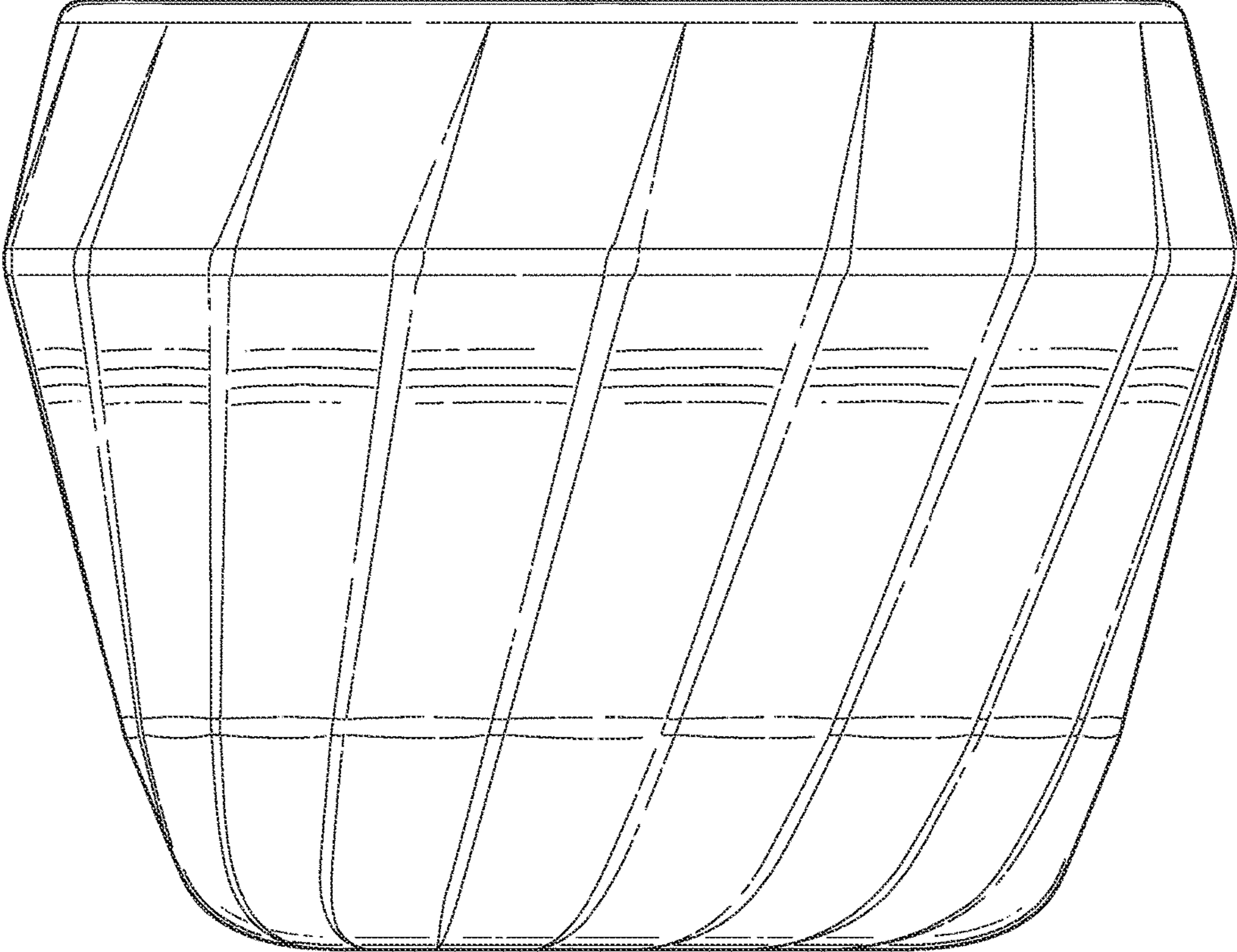


FIG. 2

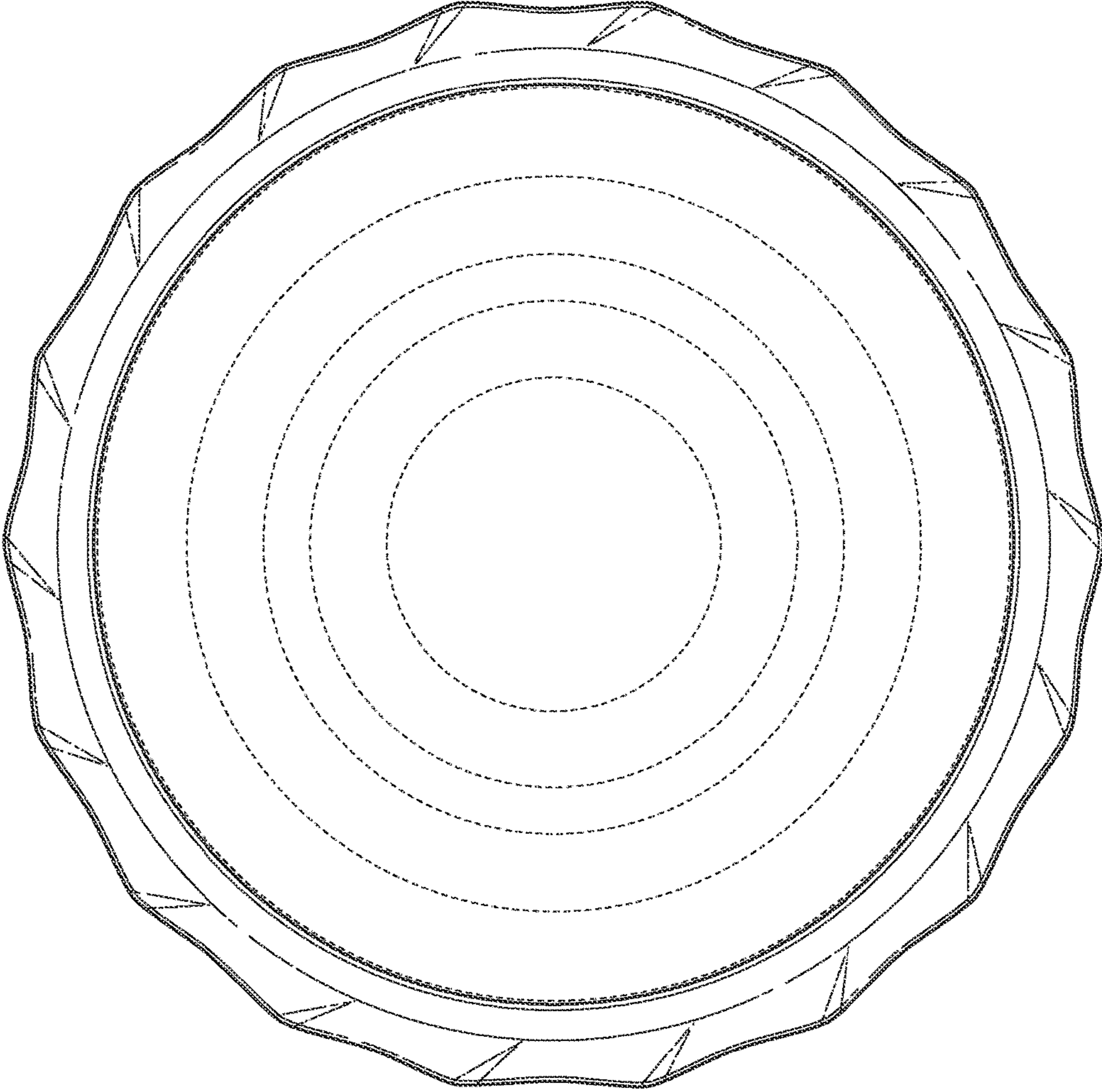


FIG. 3

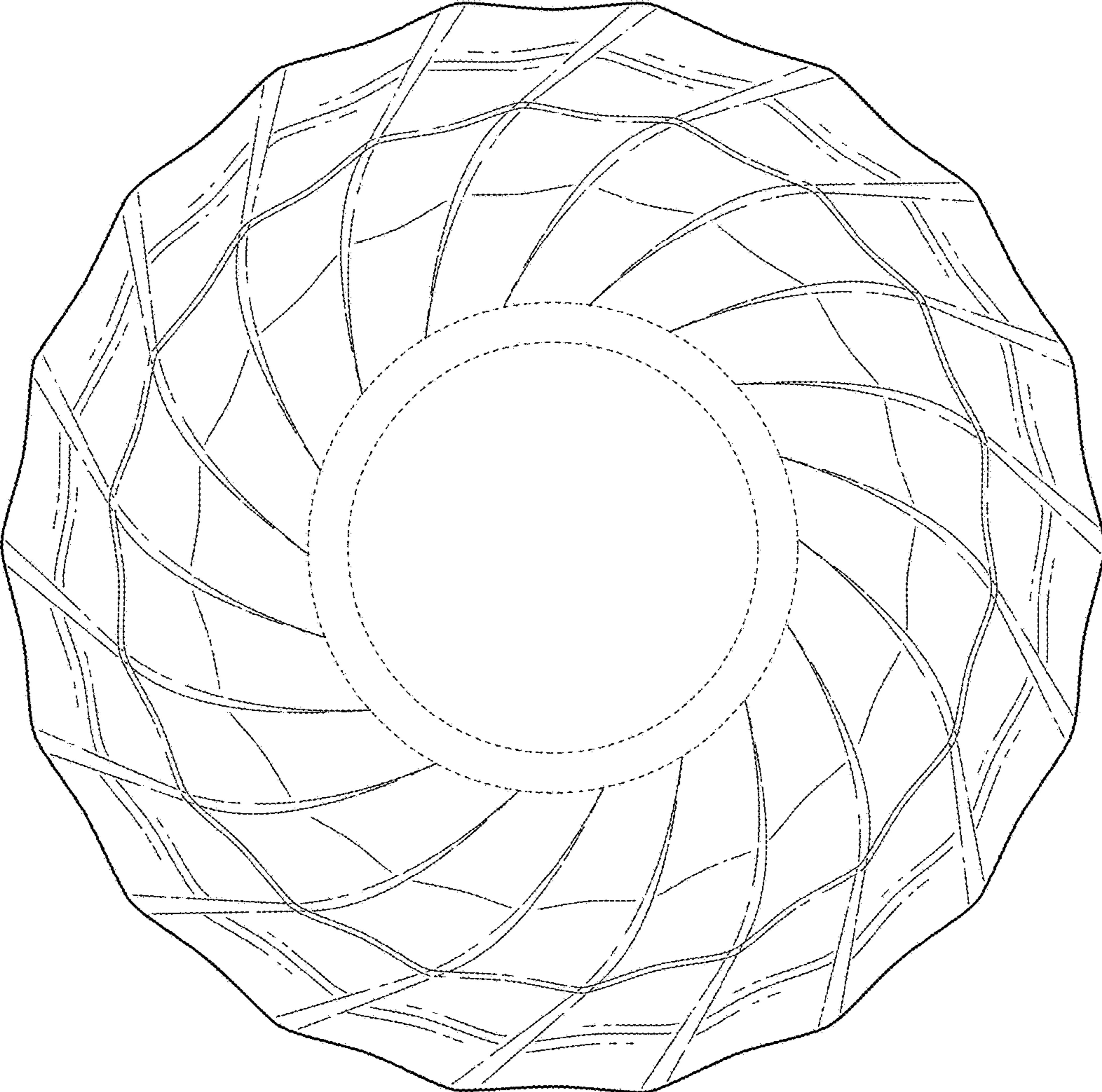


FIG. 4

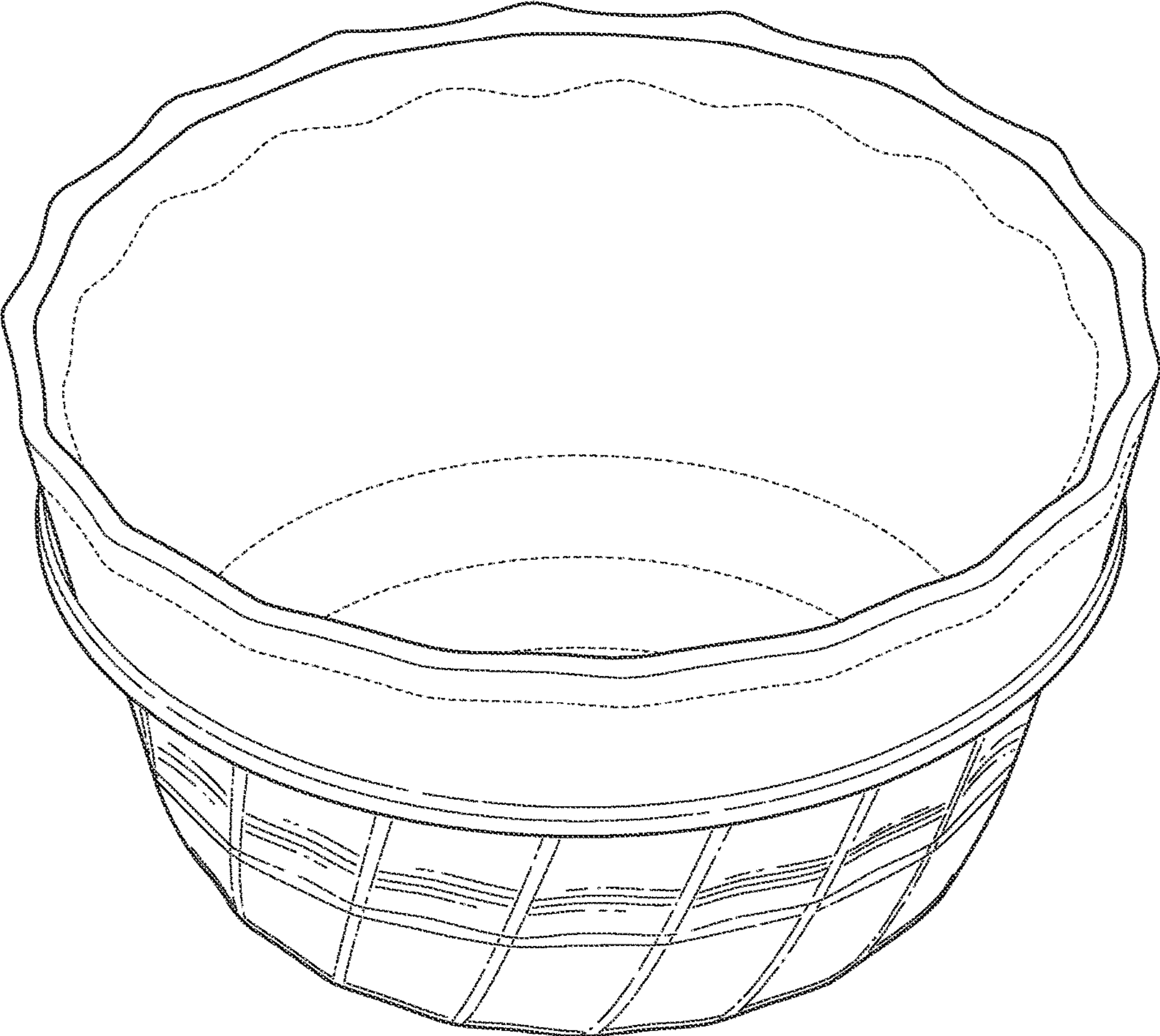


FIG. 5

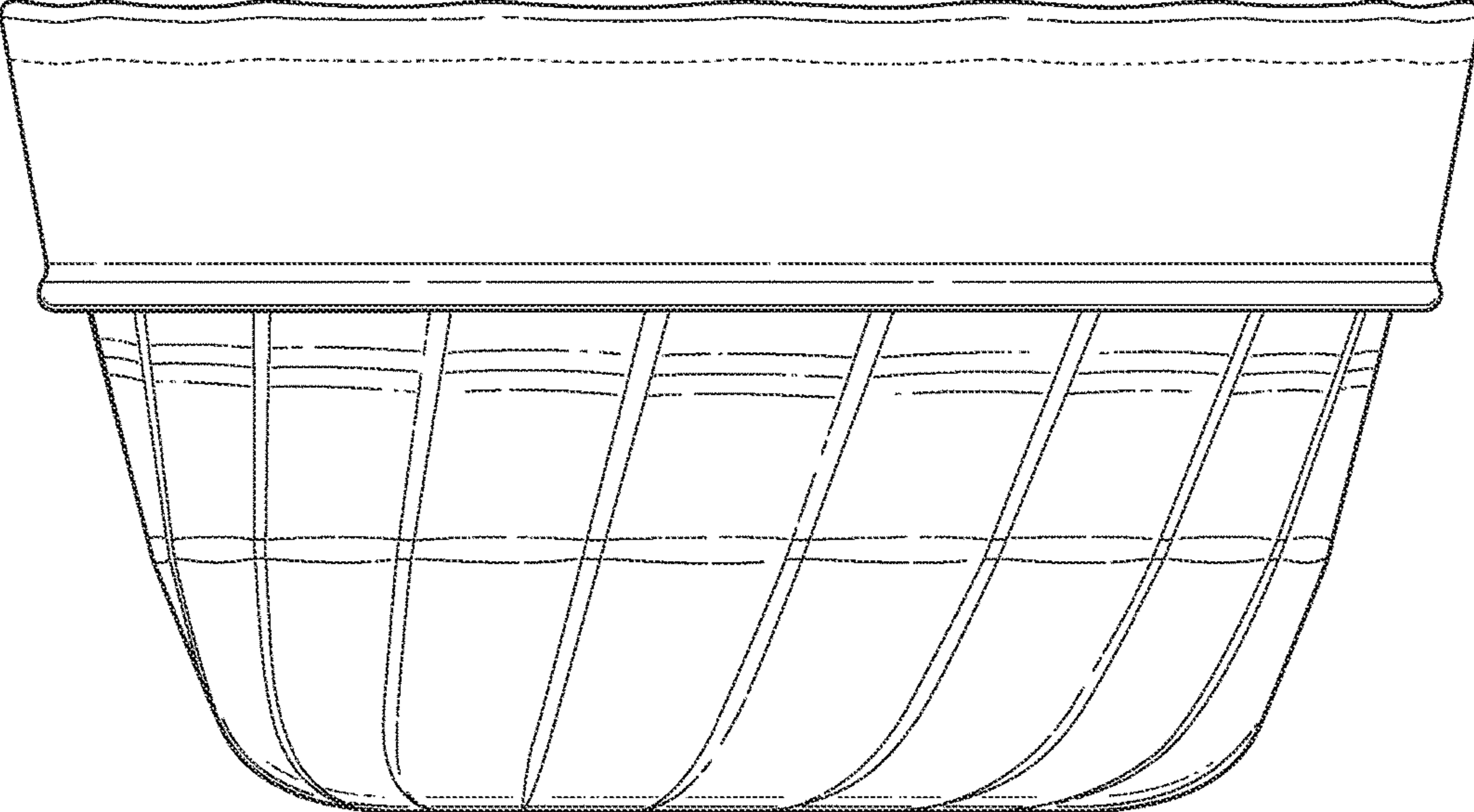


FIG. 6



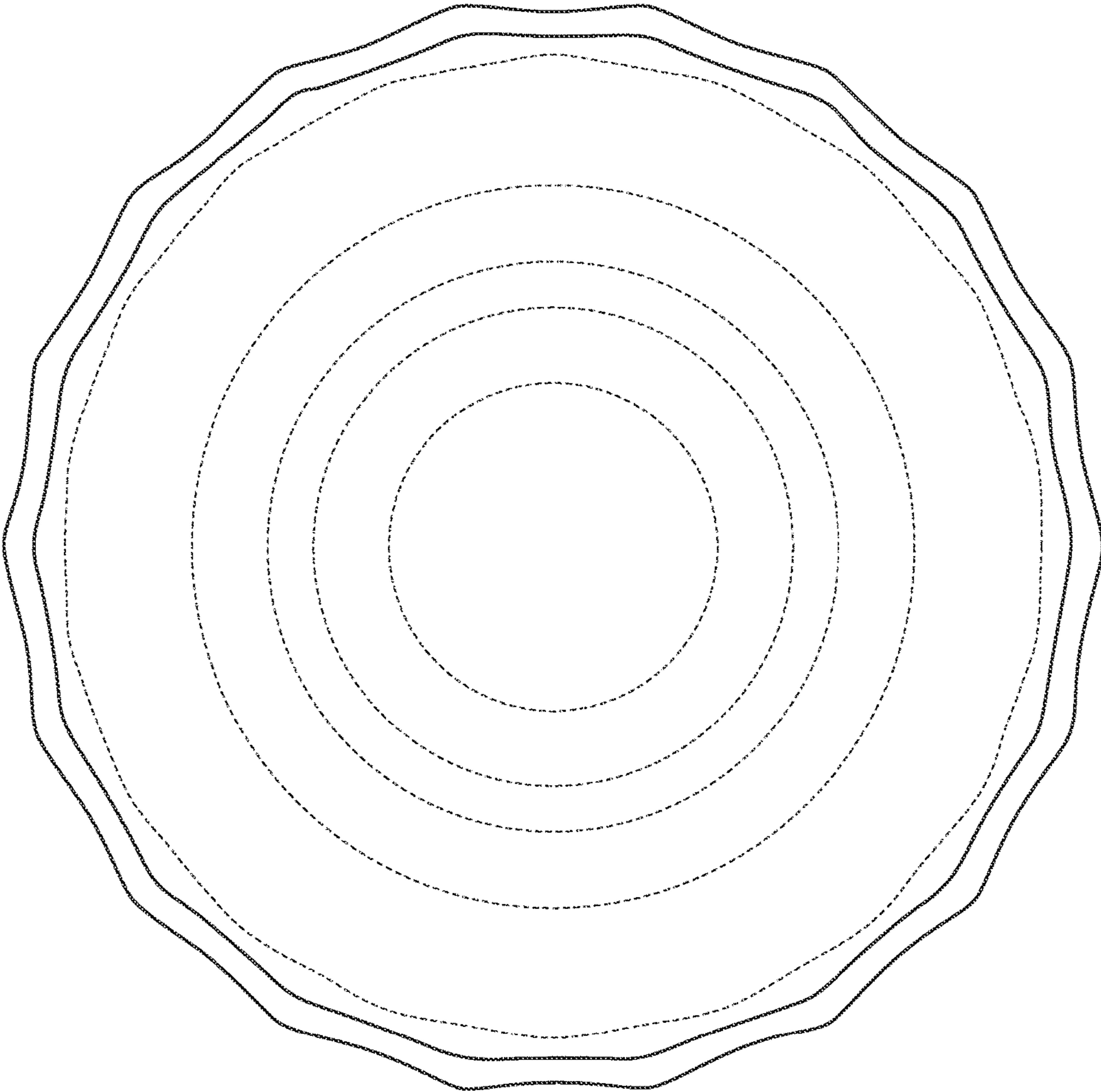


FIG. 7