



US00D850862S

(12) **United States Design Patent**  
**Chen**

(10) **Patent No.:** **US D850,862 S**  
(45) **Date of Patent:** **\*\* Jun. 11, 2019**

(54) **STAND**

(71) Applicant: **Tiff's Treats Holdings, Inc.**, Austin, TX (US)

(72) Inventor: **Leon Chen**, Austin, TX (US)

(73) Assignee: **Tiff's Treats Holdings, Inc.**, Austin, TX (US)

(\*\*) Term: **15 Years**

(21) Appl. No.: **29/606,647**

(22) Filed: **Jun. 6, 2017**

(51) **LOC (11) Cl.** ..... **07-01**

(52) **U.S. Cl.**  
USPC ..... **D7/558**

(58) **Field of Classification Search**  
USPC ..... D6/329, 334, 355, 364, 365, 693, 693.2, D6/685, 698, 699.1, 702, 707, 707.21, D6/708, 708.17; D7/558, 396.1, 396.6, D7/401.2, 403; D3/200, 304; D24/216, D24/227; D9/434, 455; D26/22  
CPC . A47B 21/00; A47B 2021/0307; A47B 23/00; A47B 31/00; A47J 47/00; A47J 47/005; A47J 47/16; A47G 19/00; A47G 19/02; A47G 23/06

See application file for complete search history.

(56) **References Cited**

**U.S. PATENT DOCUMENTS**

115,456 A	5/1871	Fisher
135,696 A	2/1873	Dakin
197,931 A	12/1877	Haight
500,839 A	7/1893	Anthony
938,242 A	10/1909	Johnston
D47,966 S	10/1915	Reischmann
1,235,689 A	8/1917	Hoag
1,401,057 A	12/1921	Elliott
1,570,651 A	1/1926	Topping et al.

1,955,919 A	4/1934	Kress
2,689,050 A	9/1954	Albin
2,902,174 A	9/1959	Audsley
D194,325 S	1/1963	Swett
D197,981 S	4/1964	Miller
3,146,906 A	9/1964	Swett
D200,117 S	1/1965	Kolarik
3,169,496 A	2/1965	Muggli et al.
D240,343 S	6/1976	Moore, Jr.
D246,022 S	10/1977	Mathur
D272,212 S	1/1984	Daenen et al.
D272,215 S	1/1984	Daenen et al.
D283,856 S	5/1986	Elmaleh

(Continued)

**OTHER PUBLICATIONS**

Triangle end table | posted at fesdecor.com, posted on Sep. 9, 2016 [online], [site visited Sep. 23, 2018]. Available from Internet, <URL: <http://fesdecor.com/a-gallery-of-18-nice-triangle-end-table-designs/modern-minimalist-thick-wood-triangle-end-table-with-base/>> (Year: 2016).\*

(Continued)

*Primary Examiner* — Derrick E Holland  
*Assistant Examiner* — Andrew Kerr  
(74) *Attorney, Agent, or Firm* — Norton Rose Fulbright US LLP

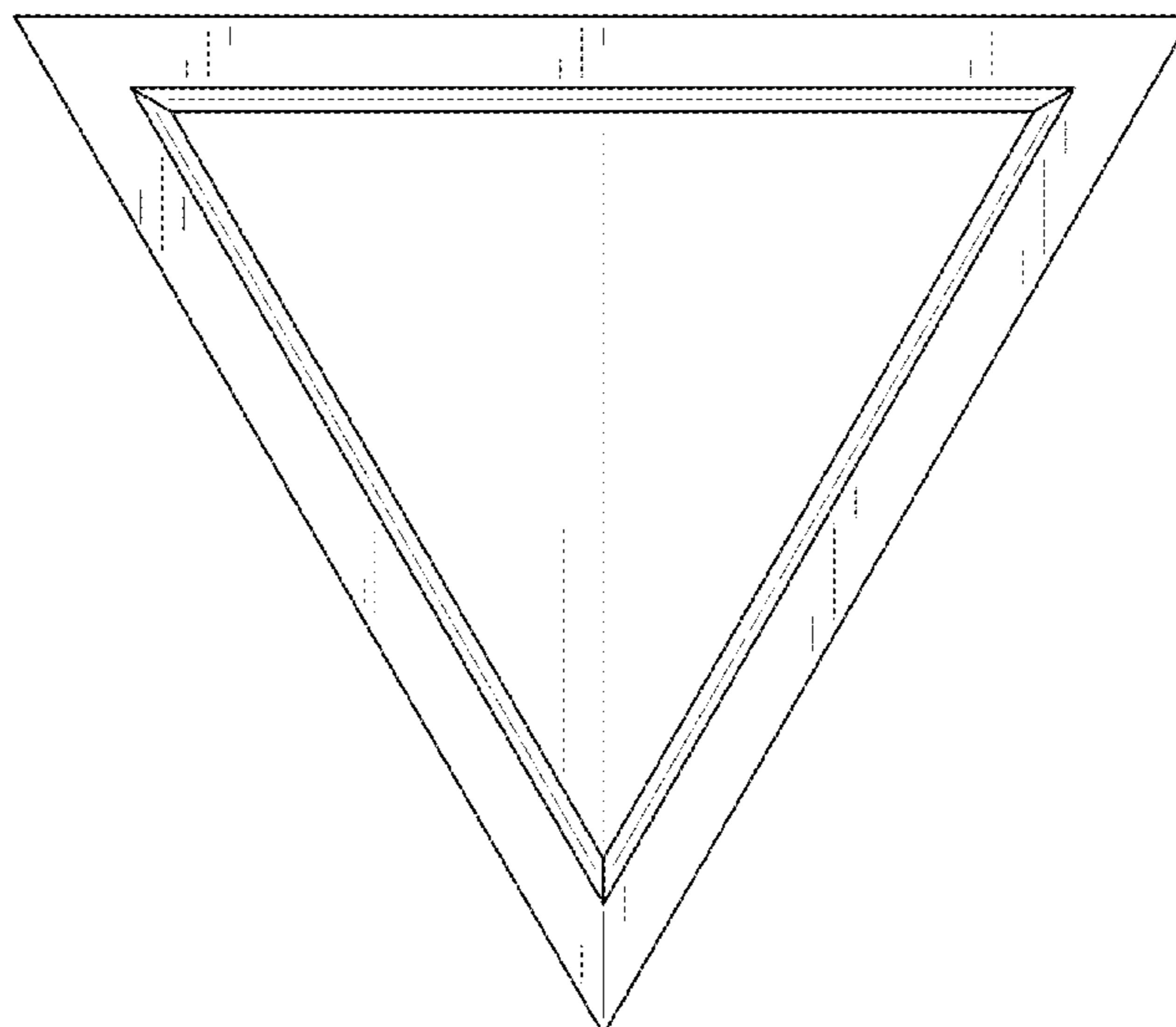
(57) **CLAIM**

The ornamental design for a stand, as shown and described.

**DESCRIPTION**

FIG. 1 is a top view of a stand showing my new design; and, FIG. 2 is a side view thereof, two other side views being identical. The broken lines showing portions of the stand are for the purpose of illustrating environmental structure and form no part of the claimed design.

**1 Claim, 2 Drawing Sheets**



(56)

References Cited

U.S. PATENT DOCUMENTS

D289,839 S \* 5/1987 Kouzoujian ..... D6/692  
 D354,862 S 1/1995 Goldberg  
 D367,979 S \* 3/1996 Lewis ..... D6/692.3  
 D389,347 S \* 1/1998 Muller ..... D6/693.3  
 D389,674 S \* 1/1998 Muller ..... D6/693.2  
 D436,270 S 1/2001 Kane  
 D441,258 S 5/2001 Spiegelman  
 D538,357 S \* 3/2007 Salmon ..... D21/505  
 D560,974 S 2/2008 Goode et al.  
 D577,962 S 10/2008 Bauer et al.  
 D647,713 S 11/2011 Unterrainer et al.  
 D664,010 S 7/2012 Goode et al.  
 D668,464 S 10/2012 Du  
 8,276,524 B2 10/2012 Goode et al.  
 D670,196 S \* 11/2012 Dunn ..... D11/184  
 D671,368 S 11/2012 Stewart et al.  
 1,047,882 A1 12/2012 Beach  
 D683,192 S \* 5/2013 Schwartz ..... D7/629

D683,975 S 6/2013 Starck et al.  
 D690,949 S \* 10/2013 Lievore ..... D6/352  
 D707,493 S 6/2014 Frei  
 D763,464 S \* 8/2016 Li ..... D24/227  
 D788,584 S \* 6/2017 Chen ..... D9/456  
 D801,979 S \* 11/2017 Seo ..... D14/451  
 D811,101 S \* 2/2018 Liu ..... D6/335  
 D825,965 S \* 8/2018 Hendifar ..... D6/692.3

OTHER PUBLICATIONS

Triangle cocktail stand | posted at [premiereeventsonline.com](http://premiereeventsonline.com), no posting date [online], [site visited Sep. 23, 2018]. Available from Internet, <URL:<https://premiereeventsonline.com/product/triangle-cocktail-table/>> (Year: 2018).\*

Printout showing pedestal tables, retrieved from [archive.org](http://archive.org) with an apparent capture date of Feb. 17, 2014—<https://web.archive.org/web/20140217160941/http://www.knoll.com/designer/Eero-Saarinen>.

\* cited by examiner

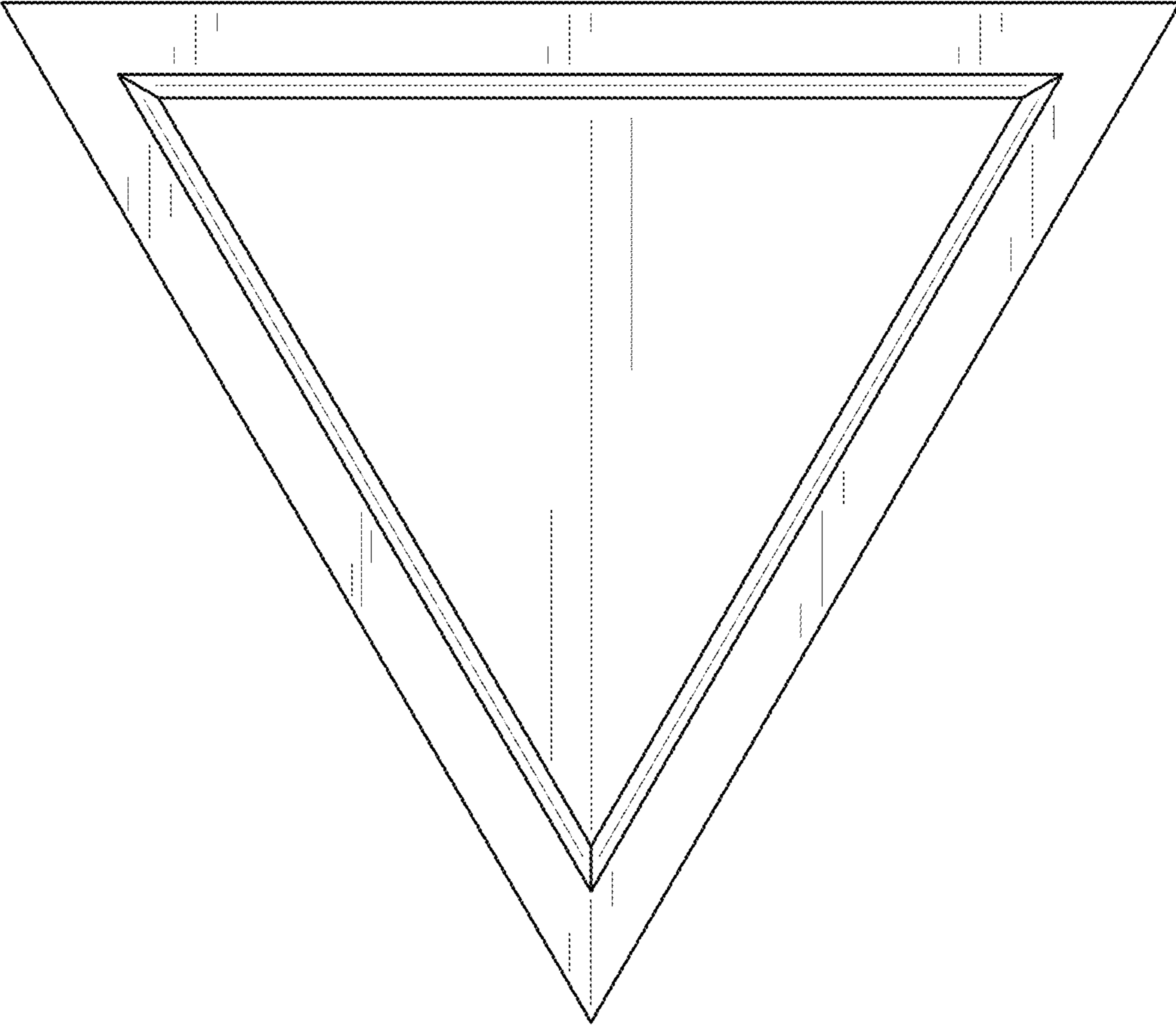


FIG. 1

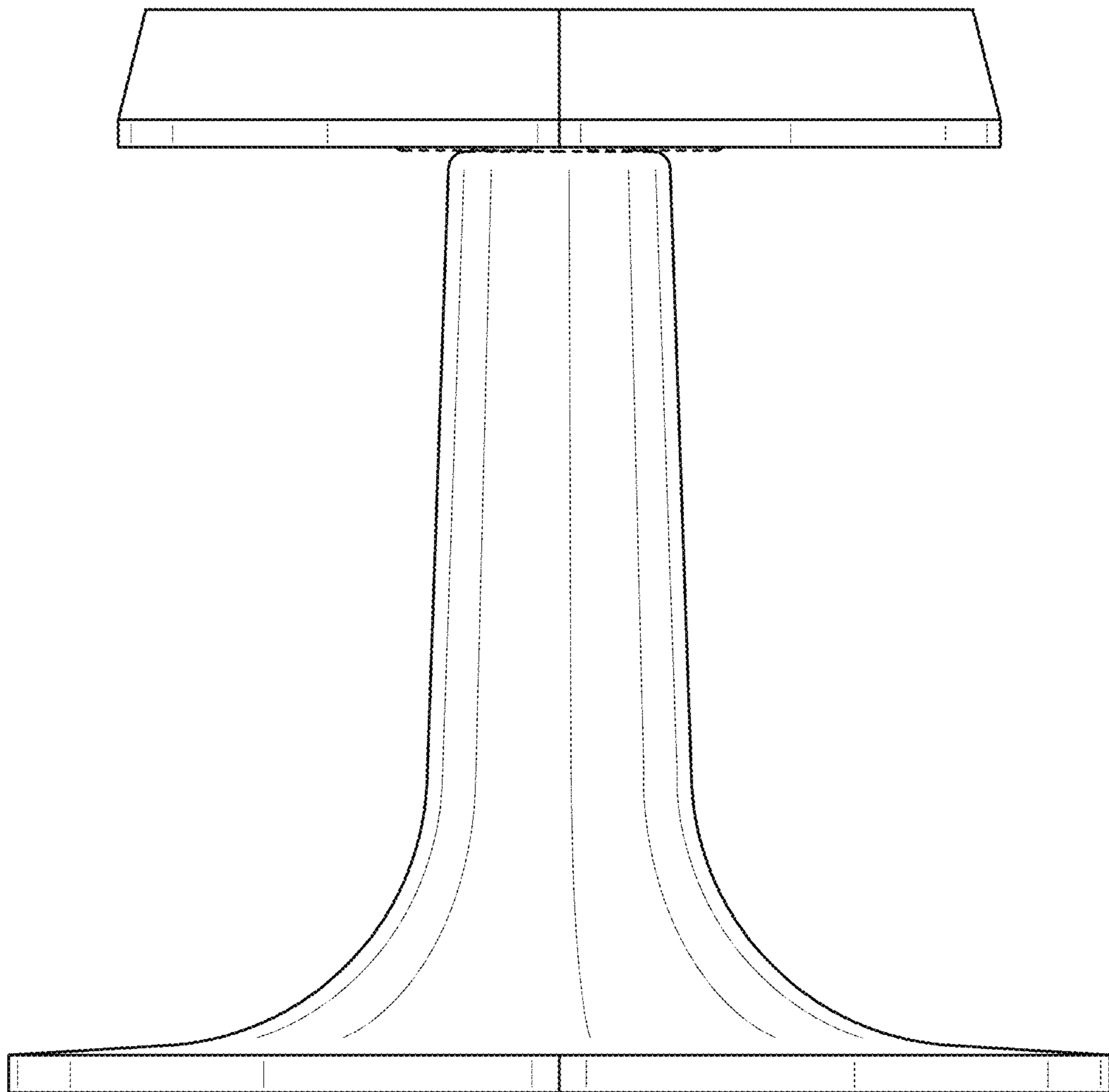


FIG. 2