

US00D850860S

(12) **United States Design Patent** (10) **Patent No.:** **US D850,860 S**
Chen (45) **Date of Patent:** **** Jun. 11, 2019**

(54) **STAND**
(71) Applicant: **Tiff's Treats Holdings, Inc.**, Austin, TX (US)
(72) Inventor: **Leon Chen**, Austin, TX (US)
(73) Assignee: **Tiff's Treats Holdings, Inc.**, Austin, TX (US)
(**) Term: **15 Years**

1,570,651 A 1/1926 Topping et al.
1,955,919 A 4/1934 Kress
2,689,050 A 9/1954 Albin
2,902,174 A 9/1959 Audsley
D194,325 S 1/1963 Swett
D197,981 S 4/1964 Miller
3,146,906 A 9/1964 Swett
D200,117 S 1/1965 Kolarik
3,169,496 A 2/1965 Muggli et al.
D240,343 S 6/1976 Moore, Jr.
D246,022 S * 10/1977 Mathur D6/692.3
D272,212 S 1/1984 Daenen et al.

(Continued)

(21) Appl. No.: **29/606,644**
(22) Filed: **Jun. 6, 2017**
(51) **LOC (11) Cl.** **07-01**
(52) **U.S. Cl.**
USPC **D7/558**
(58) **Field of Classification Search**
USPC D7/554.3, 558, 396.1, 396.6, 401.2, 403;
D6/691, 691.4, 691.2, 685, 698, 699.1,
D6/702, 707, 707.19, 708, 708.17,
D6/708.21; D3/200, 304; D24/216, 277;
D9/443, 455; D26/22
CPC . A47B 21/00; A47B 2021/0307; A47B 23/00;
A47B 31/00; A47J 47/00; A47J 47/005;
A47J 47/16; A47G 19/00; A47G 19/02;
A47G 23/06
See application file for complete search history.

OTHER PUBLICATIONS

Rectangle Glass Top| posted at Amazon.com, reviewd on Apr. 7, 2015, © 1996-2018 Amazon.com, [online], [site visited Sep. 28, 2018]. Available from Internet, <URL: <https://www.amazon.com/36x60-Rectangle-Glass-Table-Polished/dp/B00GR2Z898/>> (Year: 2015).*

(Continued)

Primary Examiner — Derrick E Holland
Assistant Examiner — Andrew Kerr
(74) *Attorney, Agent, or Firm* — Norton Rose Fulbright US LLP

(57) **CLAIM**

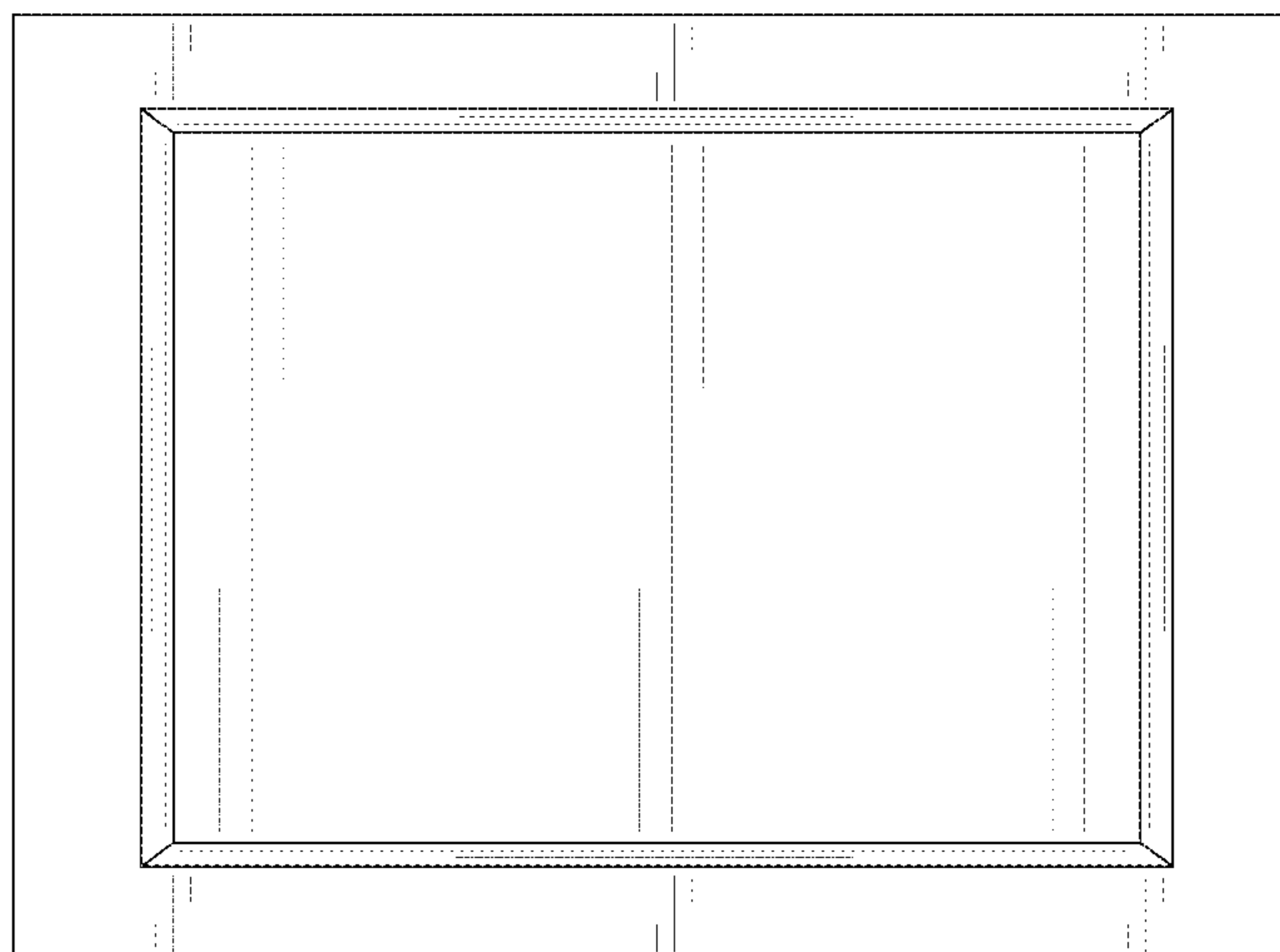
The ornamental design for a stand, as shown and described.

DESCRIPTION

FIG. 1 is a top view of a stand showing my new design; FIG. 2 is a front view thereof, the back view being identical; and, FIG. 3 is a right side view thereof, the left side view being identical.
The broken lines showing portions in FIGS. 1 and 2 are for the purpose of illustrating environmental structure and form no part of the claimed design.

1 Claim, 3 Drawing Sheets

- (56) **References Cited**
U.S. PATENT DOCUMENTS
- | | | |
|-------------|---------|------------|
| 115,456 A | 5/1871 | Fisher |
| 135,696 A | 2/1873 | Dakin |
| 197,931 A | 12/1877 | Haight |
| 500,839 A | 7/1893 | Anthony |
| 938,242 A | 10/1909 | Johnston |
| 1,047,882 A | 12/1912 | Beach |
| D47,966 S | 10/1915 | Reischmann |
| 1,235,689 A | 8/1917 | Hoag |
| 1,401,057 A | 12/1921 | Elliott |



(56)

References Cited

U.S. PATENT DOCUMENTS

D272,215 S 1/1984 Daenen et al.
 D283,856 S 5/1986 Elmaleh
 D354,862 S 1/1995 Goldberg
 D367,979 S * 3/1996 Lewis D6/692.3
 5,894,944 A * 4/1999 Swift A47G 23/08
 211/128.1
 D436,270 S 1/2001 Kane
 D441,258 S 5/2001 Spiegelman
 D560,974 S 2/2008 Goode et al.
 D577,962 S 10/2008 Bauer et al.
 D647,713 S 11/2011 Unterrainer et al.
 D664,010 S 7/2012 Goode et al.
 D666,457 S * 9/2012 Logan D7/505
 D668,464 S 10/2012 Du
 8,276,524 B2 10/2012 Goode et al.
 D671,368 S 11/2012 Stewart et al.
 D683,975 S * 6/2013 Starck D6/349
 D691,839 S * 10/2013 Dallenbach D6/681.1

8,550,014 B1 * 10/2013 Mariani A47G 19/00
 108/12
 D707,493 S 6/2014 Frei
 D729,589 S * 5/2015 Logan D7/558
 D750,405 S * 3/2016 Muller D6/708.17
 D763,464 S * 8/2016 Li D24/227
 D788,584 S * 6/2017 Chen D9/456
 D801,979 S * 11/2017 Seo D14/451
 D805,849 S * 12/2017 Logan D7/558

OTHER PUBLICATIONS

BIA rectangle cake stand| posted at Amazon.com, revied on Jul. 28, 2010, © 1996-2018 Amazon.com, [online], [site visited Sep. 28, 2018]. Available from Internet, <URL: <https://www.amazon.com/BIA-Cordon-Bleu-11-Inch-Porcelain/dp/B003XRKKFM/>> (Year: 2010).*
 Printout showing pedestal tables, retrieved from archive.org with an apparent capture date of Feb. 17, 2014—[https://web.archive.org/web/20140217160941/http://www.knoll.com/designer/Eero-Saarin.](https://web.archive.org/web/20140217160941/http://www.knoll.com/designer/Eero-Saarin/)

* cited by examiner

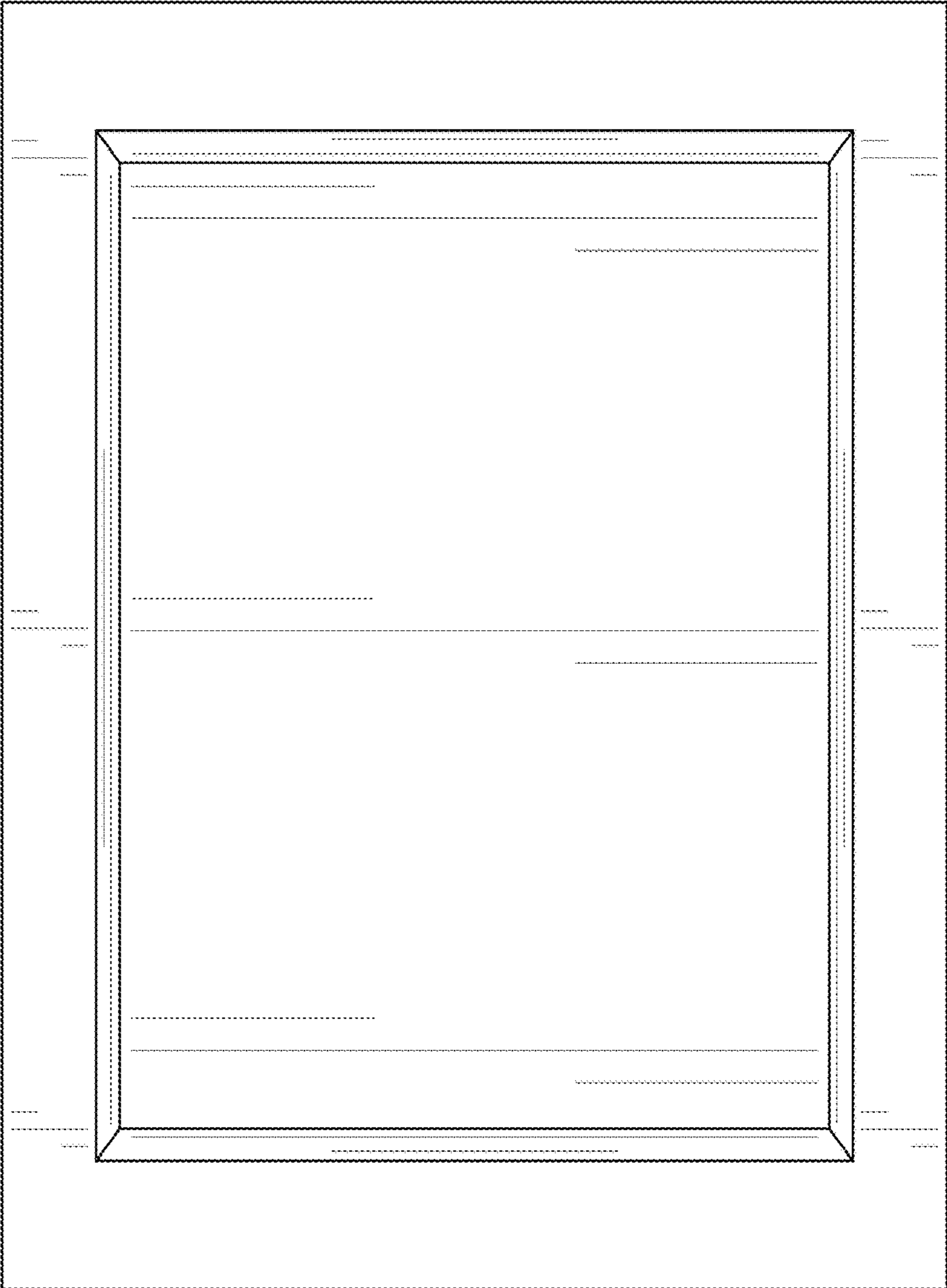


FIG. 1

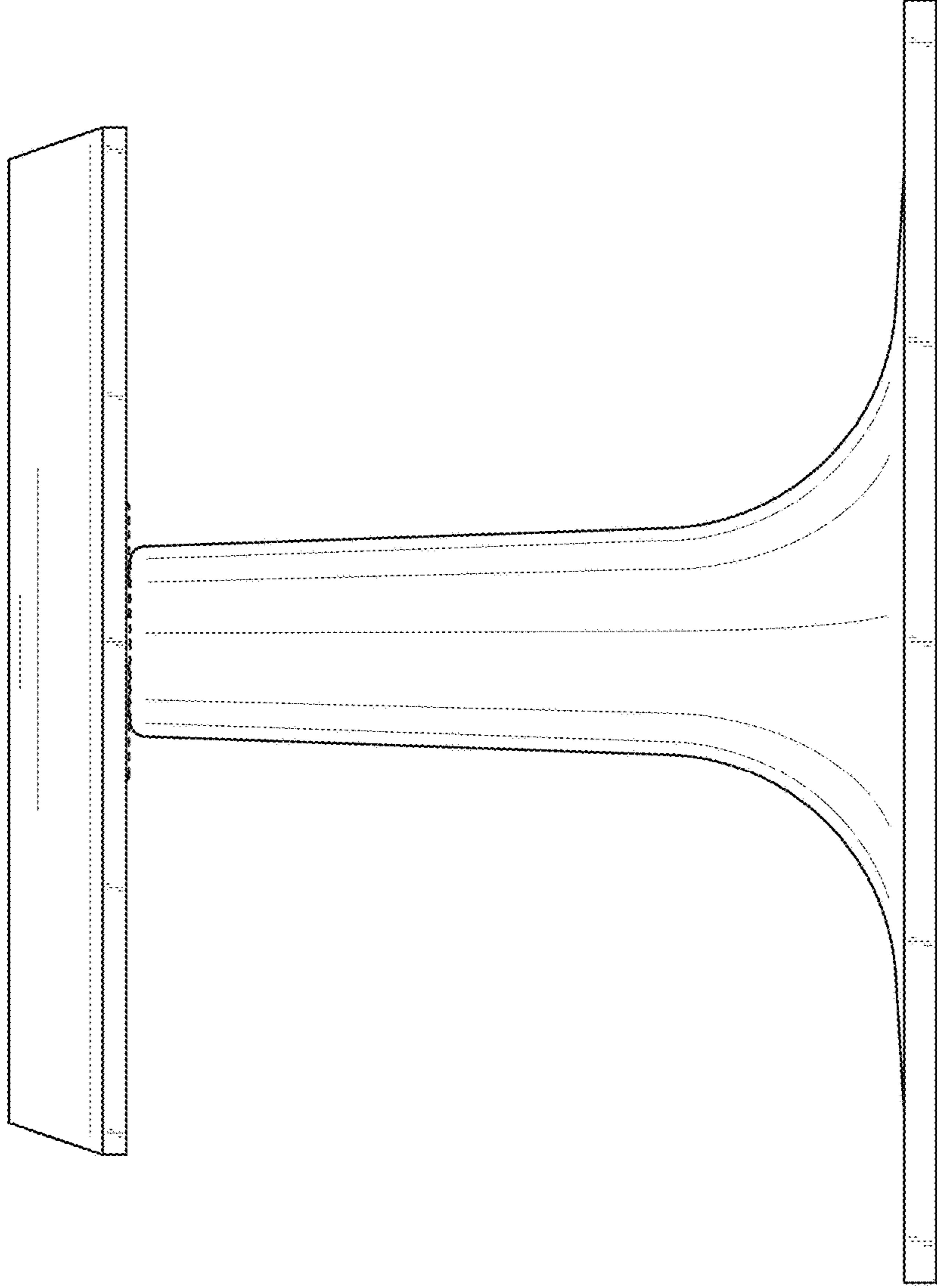


FIG. 2

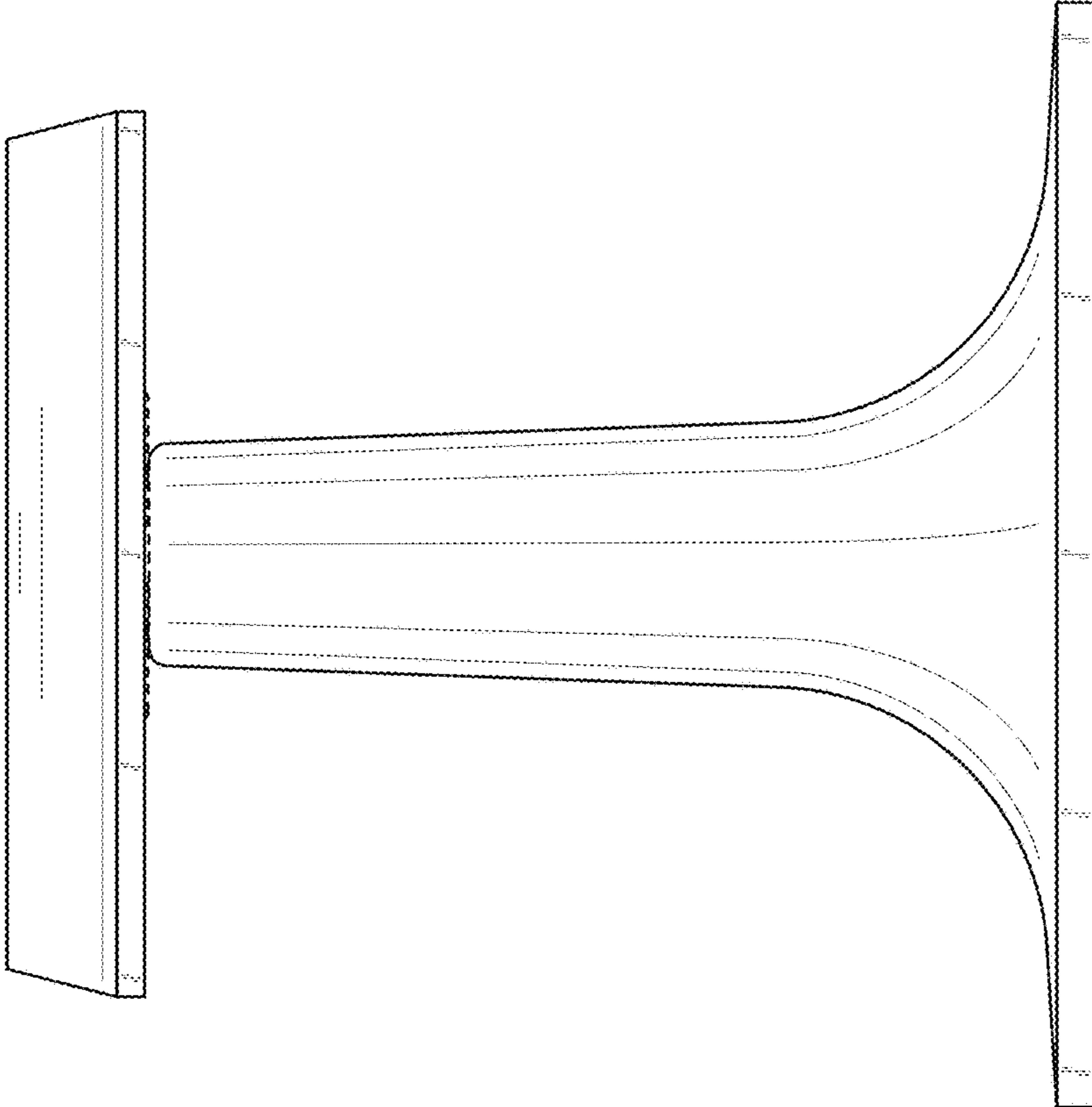


FIG. 3