



US00D850859S

(12) **United States Design Patent**
Chen

(10) **Patent No.:** **US D850,859 S**

(45) **Date of Patent:** **** Jun. 11, 2019**

(54) **STAND**

(71) Applicant: **Tiff's Treats Holdings, Inc.**, Austin, TX (US)

(72) Inventor: **Leon Chen**, Austin, TX (US)

(73) Assignee: **Tiff's Treats Holding, Inc.**, Austin, TX (US)

(**) Term: **15 Years**

(21) Appl. No.: **29/606,643**

(22) Filed: **Jun. 6, 2017**

(51) **LOC (11) Cl.** **07-01**

(52) **U.S. Cl.**
USPC **D7/558**

(58) **Field of Classification Search**
USPC D7/550.1, 554.2, 554.4, 558, 213;
D6/656, 685, 687, 688.27, 692, 692.2,
D6/692.3, 692.5, 698, 699, 699.1, 702,
D6/707, 707.2, 708, 708.17, 708.2;
D3/200, 304; D24/216, 227; D9/434,
D9/455; D26/22
CPC . A47B 21/00; A47B 2021/0307; A47B 23/00;
A47B 31/00; A47J 47/00; A47J 47/005;
A47J 47/16; A47G 19/00; A47G 19/02;
A47G 23/06

See application file for complete search history.

(56) **References Cited**

U.S. PATENT DOCUMENTS

115,456 A	5/1871	Fisher	
135,696 A	2/1873	Dakin	
197,931 A	12/1877	Haight	
500,839 A	7/1893	Anthony	
D38,140 S *	7/1906	Paurowicz D6/692.3
938,242 A	10/1909	Johnston	
D47,966 S	10/1915	Reischmann	
1,235,689 A	8/1917	Hoag	

1,401,057 A	12/1921	Elliott	
1,570,651 A	1/1926	Topping et al.	
1,955,919 A	4/1934	Kress	
2,689,050 A	9/1954	Albin	
2,902,174 A	9/1959	Audsley	
D194,325 S	1/1963	Swett	
D197,981 S	4/1964	Miller	
3,146,906 A	9/1964	Swett	
D200,117 S	1/1965	Kolarik	
3,169,496 A	2/1965	Muggli et al.	
D222,082 S *	9/1971	Kleinert D6/692.3
D240,343 S *	6/1976	Moore, Jr. D6/692.3

(Continued)

OTHER PUBLICATIONS

EdgeMod Daisy Oval Table | posted at modishstore.com, no posting date available [online], [site visited Sep. 28, 2018]. Available from Internet, <URL:https://www.modishstore.com/products/edgemod-daisy-60-oval-wood-top-dining-table> (Year: 2018).*

(Continued)

Primary Examiner — Derrick E Holland
Assistant Examiner — Andrew Kerr
(74) *Attorney, Agent, or Firm* — Norton Rose Fulbright US LLP

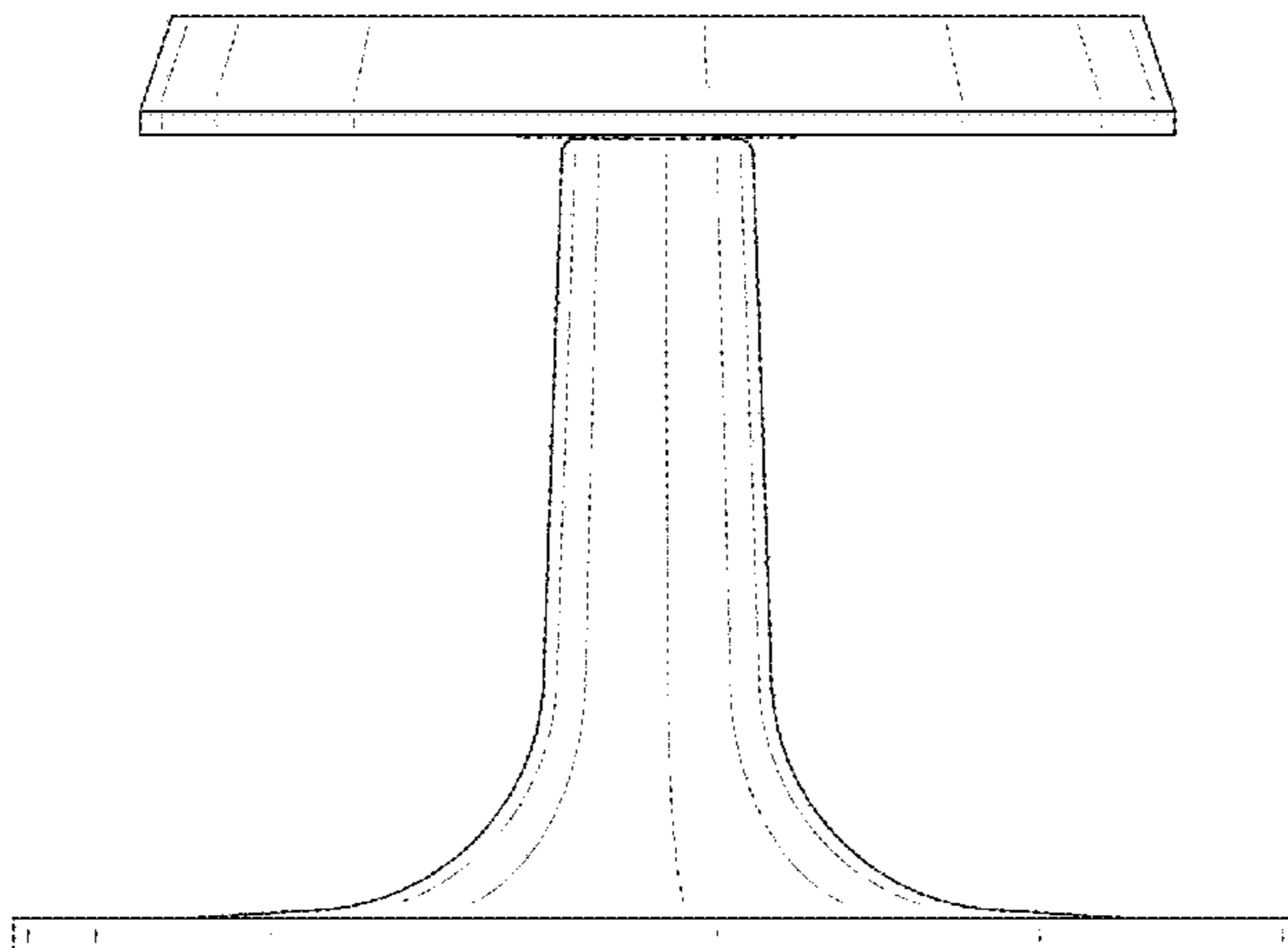
(57) **CLAIM**

The ornamental design for a stand, as shown and described.

DESCRIPTION

FIG. 1 is a front view of a stand showing my new design, the back view being identical;
FIG. 2 is a right side view thereof, the left side view being identical; and,
FIG. 3 is a top view thereof.
The broken lines showing portions in FIGS. 1 and 2 are for the purpose of illustrating environmental structure and form no part of the claimed design.

1 Claim, 3 Drawing Sheets



(56)

References Cited

U.S. PATENT DOCUMENTS

D246,022 S * 10/1977 Mathur D6/692.3
 D272,212 S 1/1984 Daenen et al.
 D272,215 S 1/1984 Daenen et al.
 D283,856 S 5/1986 Elmaleh
 D354,862 S 1/1995 Goldberg
 D367,979 S * 3/1996 Lewis D6/692.3
 5,894,944 A * 4/1999 Swift A47G 23/08
 211/128.1
 D436,270 S 1/2001 Kane
 D441,258 S * 5/2001 Spiegelman D7/501
 D556,516 S * 12/2007 Dien D7/500
 D560,974 S 2/2008 Goode et al.
 D577,962 S 10/2008 Bauer et al.
 D609,951 S * 2/2010 Walker D6/559
 D613,096 S * 4/2010 Stoepker D6/692.3
 D636,637 S * 4/2011 Lupkes D7/501
 D647,713 S 11/2011 Unterrainer et al.
 D664,010 S 7/2012 Goode et al.
 D668,464 S 10/2012 Du
 8,276,524 B2 10/2012 Goode et al.
 D671,368 S * 11/2012 Stewart D7/558
 1,047,882 A1 12/2012 Beach
 D683,975 S * 6/2013 Starck D6/349

8,550,014 B1 * 10/2013 Mariani A47G 19/00
 108/12
 D707,493 S 6/2014 Frei
 D763,464 S * 8/2016 Li D24/227
 D769,036 S * 10/2016 Manea D6/692.3
 D772,601 S * 11/2016 Christie D6/526
 D779,706 S * 2/2017 Starck D26/93
 D788,584 S * 6/2017 Chen D9/456
 D790,108 S * 6/2017 Starck D26/93
 D790,109 S * 6/2017 Starck D26/93
 D801,714 S * 11/2017 Elmaleh D6/352
 D801,979 S * 11/2017 Seo D14/451
 D805,677 S * 12/2017 Starck D26/93

OTHER PUBLICATIONS

BIA cake stand | posted at amazon.com, date available, Jul. 28, 2010 [online], [site visited Sep. 28, 2018]. Available from Internet, <URL:https://www.amazon.com/BIA-Cordon-Bleu-Porcelain-902033/product-reviews/B003XRNZ4A/> (Year: 2010).*
 Printout showing pedestal tables, retrieved from archive.org with an apparent capture date of Feb. 17, 2014—https://web.archive.org/web/20140217160941/http://www.knoll.com/designer/Eero-Saarinen.

* cited by examiner

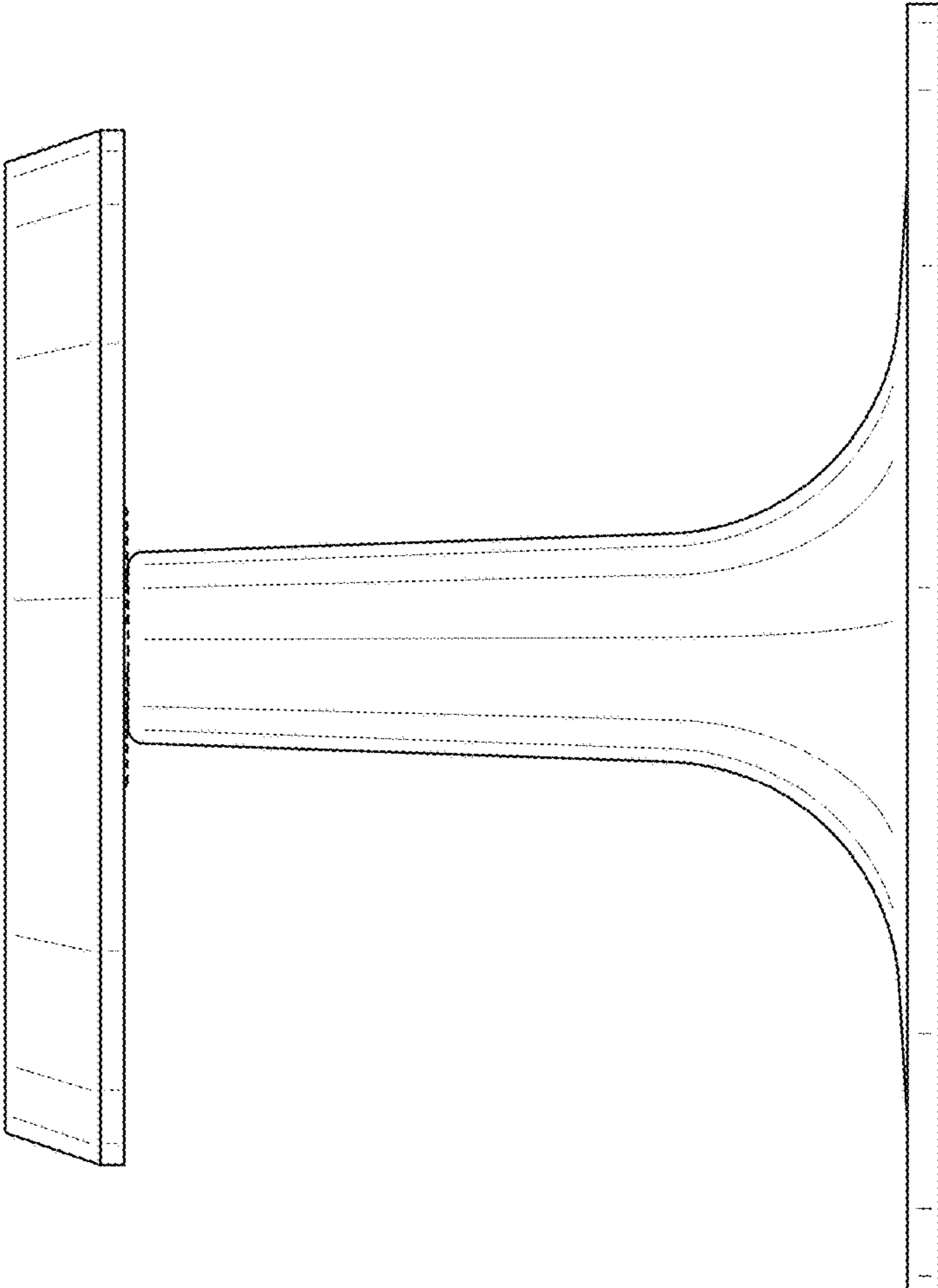


FIG. 1

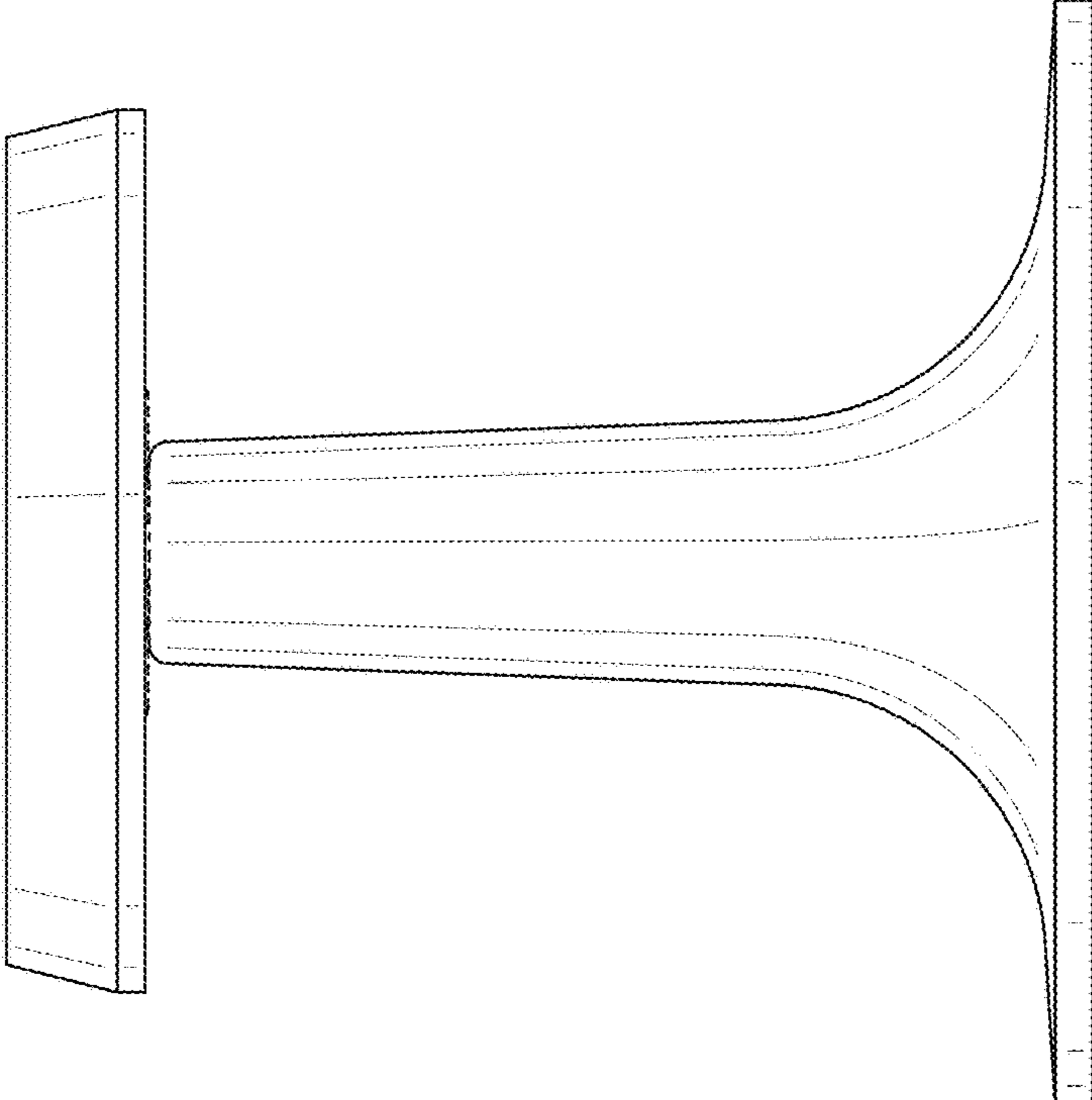


FIG. 2

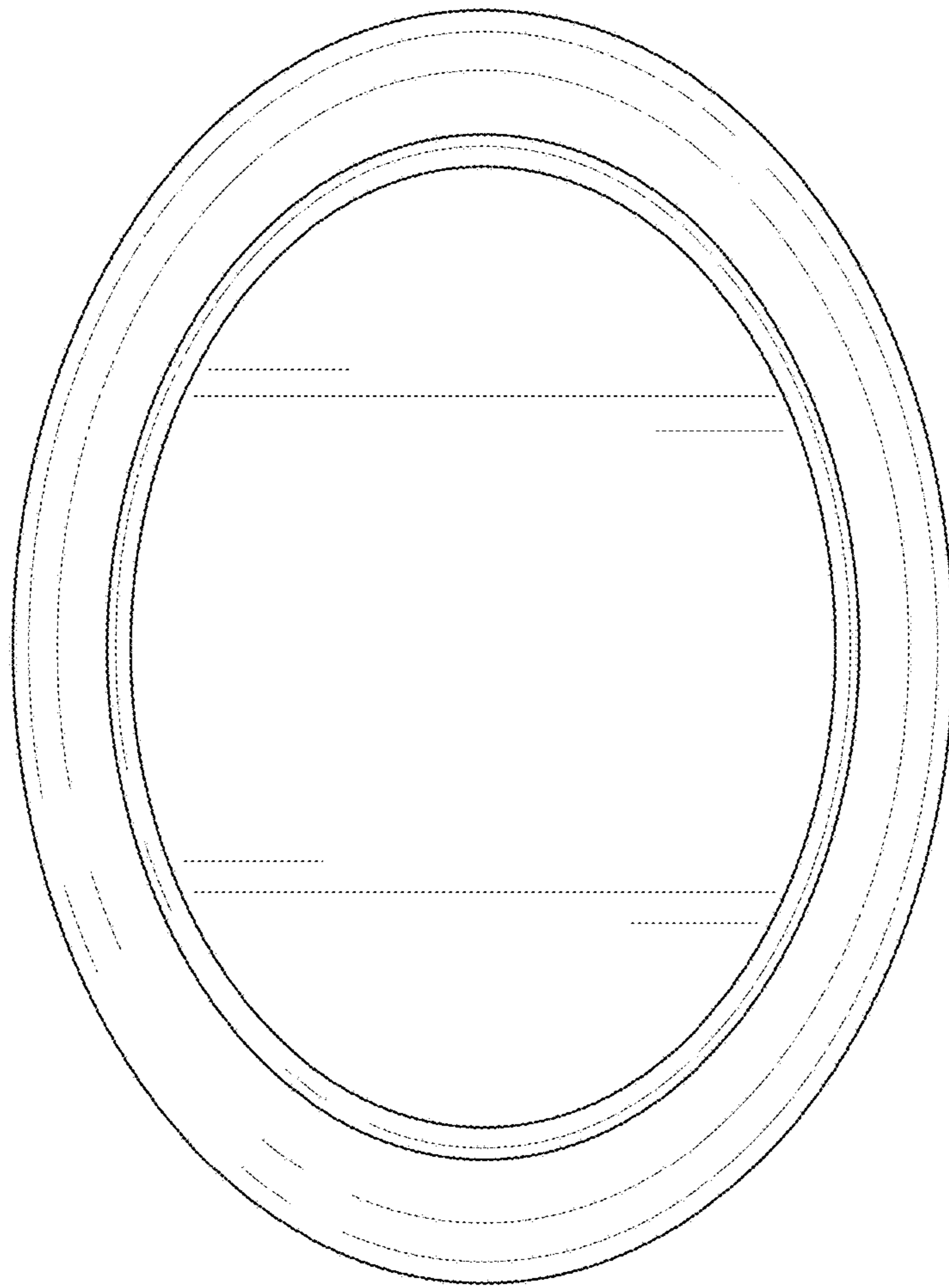


FIG. 3