



US00D850858S

(12) **United States Design Patent**
Roaks

(10) **Patent No.:** **US D850,858 S**
(45) **Date of Patent:** **** Jun. 11, 2019**

(54) **COMBINED DINING PLACEMAT AND TABLEWARE**

(71) Applicant: **Twistshake of Sweden AB**, Vasteras (SE)

(72) Inventor: **Vienar Roaks**, Vasteras (SE)

(73) Assignee: **Twistshake of Sweden AB** (SE)

(**) Term: **15 Years**

(21) Appl. No.: **29/611,059**

(22) Filed: **Jul. 18, 2017**

(51) **LOC (11) Cl.** **07-01**

(52) **U.S. Cl.**
USPC **D7/555; D7/553.4; D7/505; D6/616**

(58) **Field of Classification Search**
USPC D7/505, 507, 509, 510, 511, 514, 515, D7/523, 533, 534, 535, 536, 392.1, 396.3, D7/400, 564, 577, 571, 569, 556, 656, D7/654, 642, 607, 603, 602, 624.1, 624.2, D7/680, 397, 398, 213, 403, 396.6, 633, D7/631, 632, 901, 555, 553.4; 220/200, 220/592.16, 592.17, 495.03; D9/434, D9/435; D24/197; D19/194; D28/4, 39, D28/10, 38, 76, 82, 85, 88; D11/143, D11/144, 391; D30/129, 130; D6/616
CPC A47G 19/2205; A47G 19/22; A47G 19/2211; A47G 19/2216; B65D 1/265; B65D 3/06; A45F 3/20
See application file for complete search history.

(56) **References Cited**

U.S. PATENT DOCUMENTS

2,545,733 A * 3/1951 Hatfield A47G 19/027
126/378.1
D259,669 S * 6/1981 Peterson D30/130

D308,461 S * 6/1990 Hosea A47G 19/06
D7/507
4,989,846 A * 2/1991 Quinn A47G 23/06
269/54.5
D339,030 S * 9/1993 Bitel, Sr. D12/419
D376,295 S * 12/1996 Ahern, Jr. D7/549
5,641,140 A * 6/1997 Sorenson A47B 13/16
248/205.3
D538,576 S * 3/2007 Bartell D6/613
D552,934 S * 10/2007 Dulaney D7/500
D631,696 S * 2/2011 Lipfert D7/505

(Continued)

Primary Examiner — Marianne N Pandozzi

Assistant Examiner — Jae Liang

(74) *Attorney, Agent, or Firm* — Ingram IP Law, P.A.

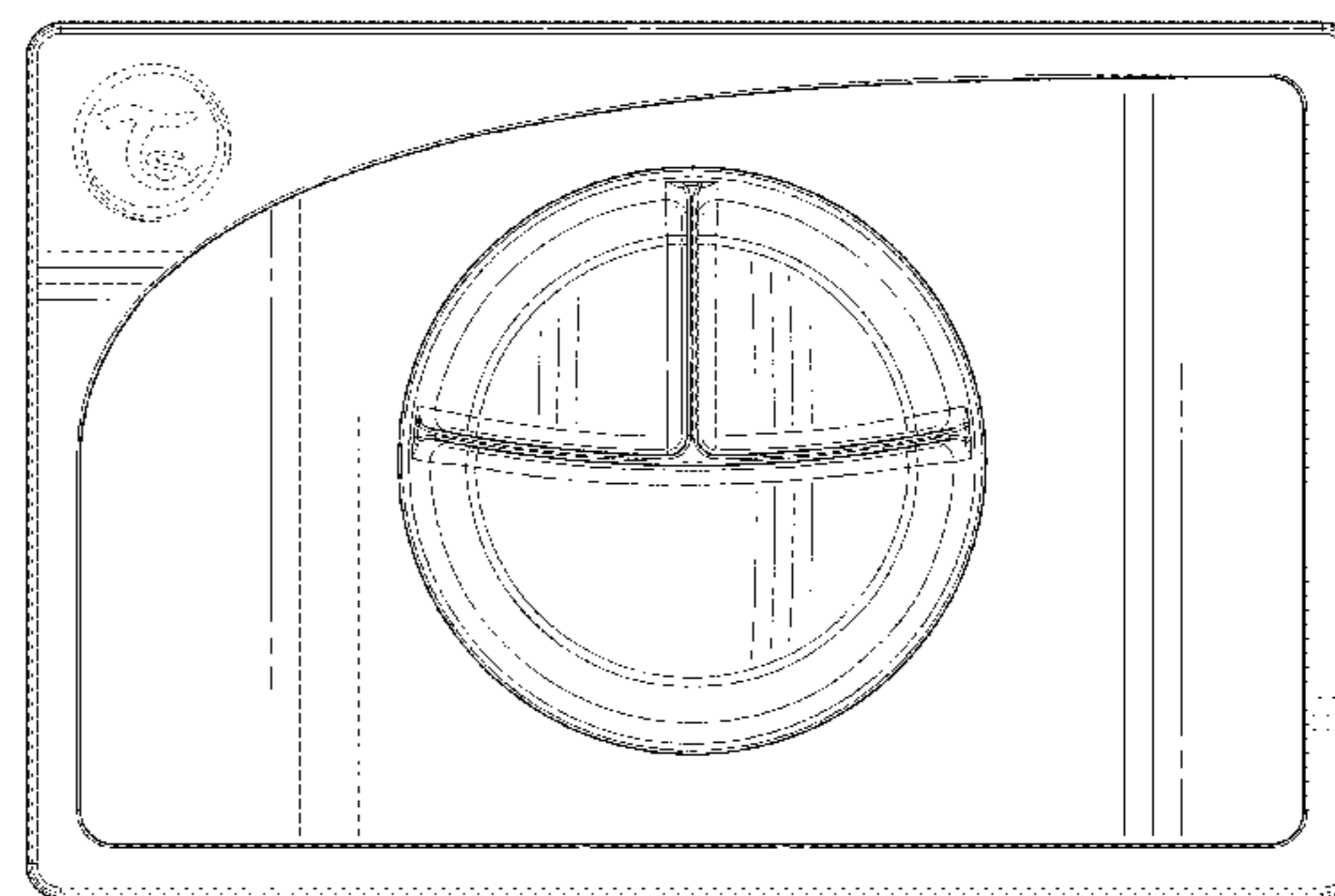
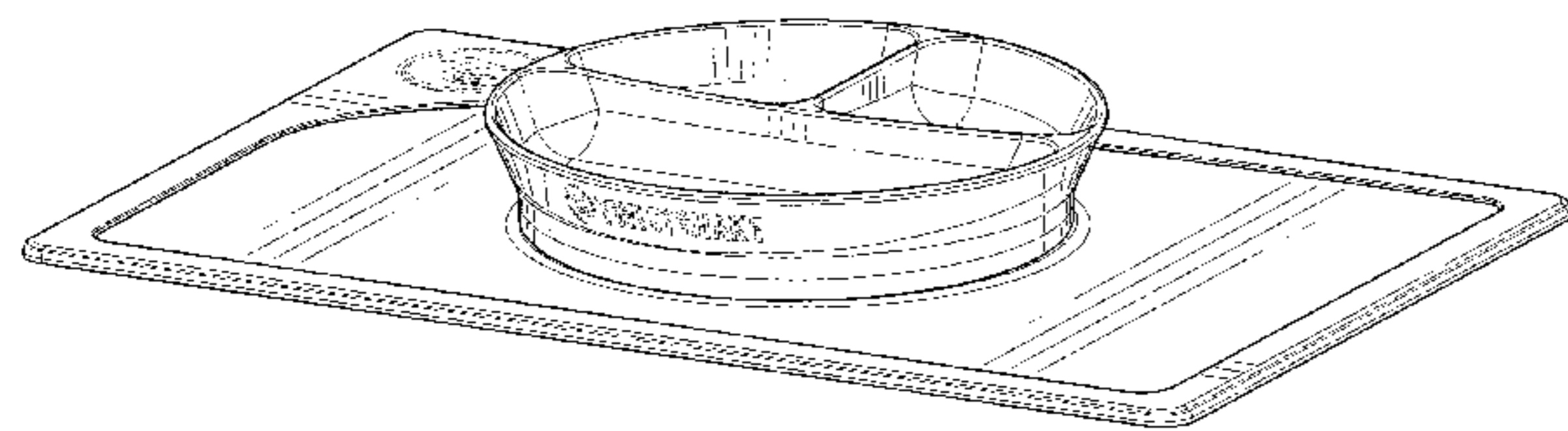
(57) **CLAIM**

The ornamental design for combined dining placemat and tableware, as shown and described.

DESCRIPTION

FIG. 1 is a perspective view of a combined dining placemat and tableware showing my new design;
FIG. 2 is a top plan view thereof;
FIG. 3 is a front elevational view thereof;
FIG. 4 is a left side elevational view thereof;
FIG. 5 is a perspective view of the tableware portion with the dining placemat portion removed for clarity of disclosure;
FIG. 6 is a top plan view of FIG. 5;
FIG. 7 is a front elevational view of FIG. 5;
FIG. 8 is a left side elevational view of FIG. 5;
FIG. 9 is a perspective view of the dining placemat portion with the tableware portion removed for clarity of disclosure;
FIG. 10 is a top plan view of FIG. 9;
FIG. 11 is a front elevational view of FIG. 9; and,
FIG. 12 is a left side elevational view of FIG. 9.
The broken lines in the drawings depict portions of the combined dining placemat and tableware that form no part of the claimed design.

1 Claim, 12 Drawing Sheets



(56)

References Cited

U.S. PATENT DOCUMENTS

D652,259 S * 1/2012 Hatcher D7/553.5
D659,913 S * 5/2012 Spectre D30/130
D660,087 S * 5/2012 Ewen D7/555
D745,327 S * 12/2015 Laurain D6/614
D753,443 S * 4/2016 Mock D7/555
D767,941 S * 10/2016 Laurain D6/616
D774,361 S * 12/2016 Laurain D6/616
D807,705 S * 1/2018 Laurain D7/555
D812,433 S * 3/2018 Kwok D7/553.4
D836,990 S * 1/2019 Hakim D7/553.4
D838,142 S * 1/2019 Davies D7/553.2
2014/0106314 A1 * 4/2014 Brown A47G 19/02
434/127
2017/0280675 A1 * 10/2017 MacNeil A01K 5/0135
2017/0280904 A1 * 10/2017 Laurain A47G 19/02

* cited by examiner

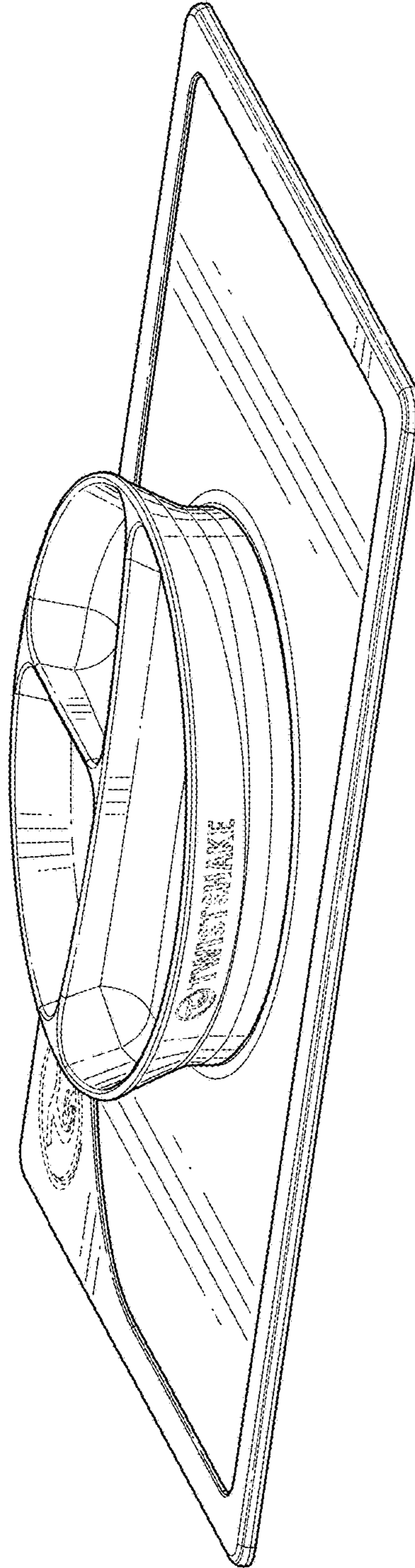


FIG. 1

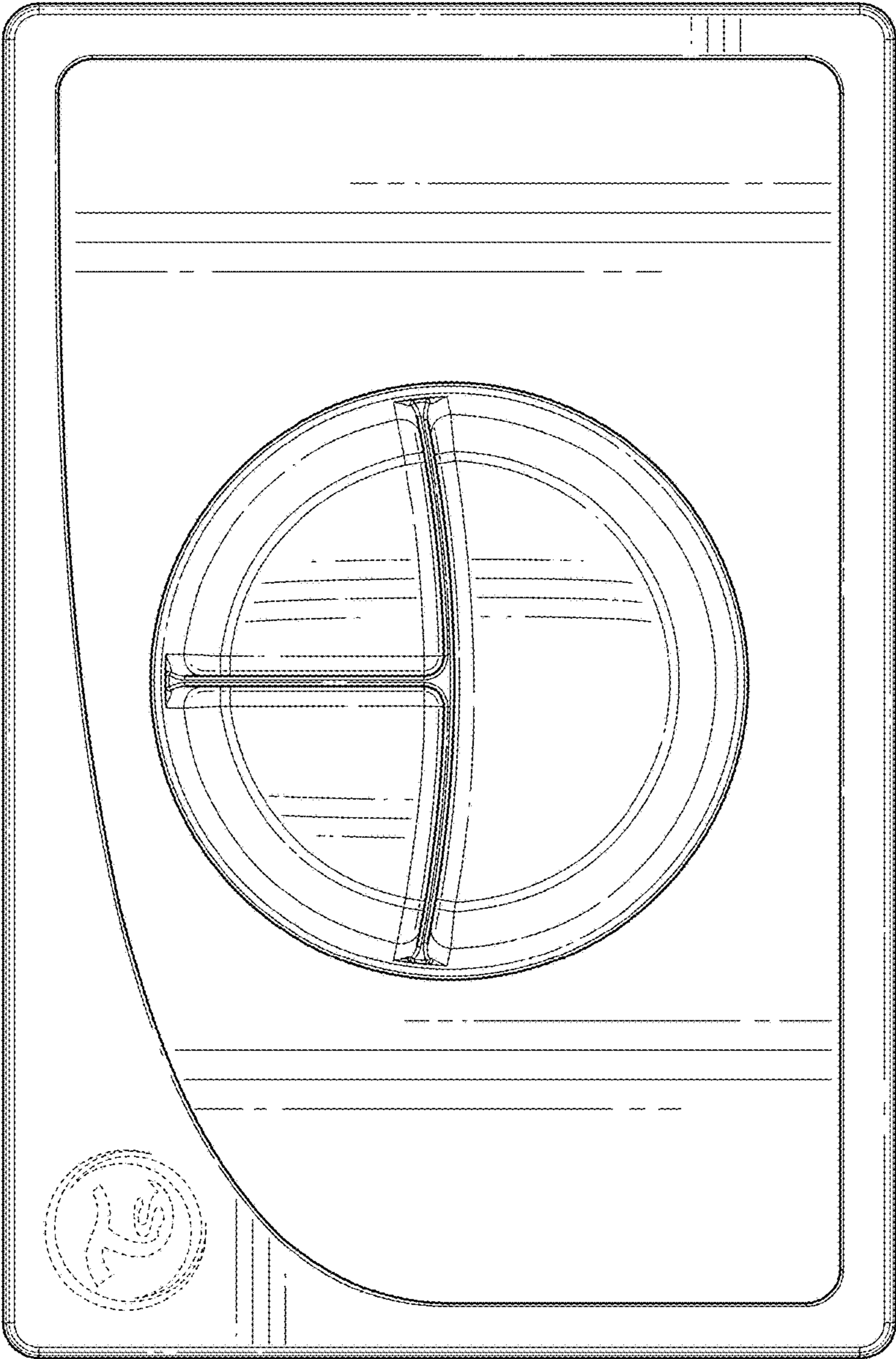


FIG. 2

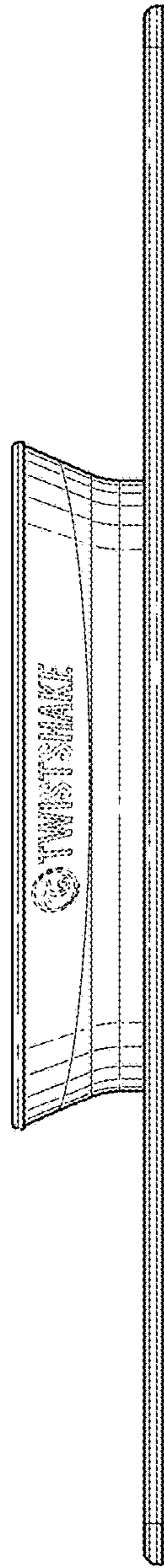


FIG. 3

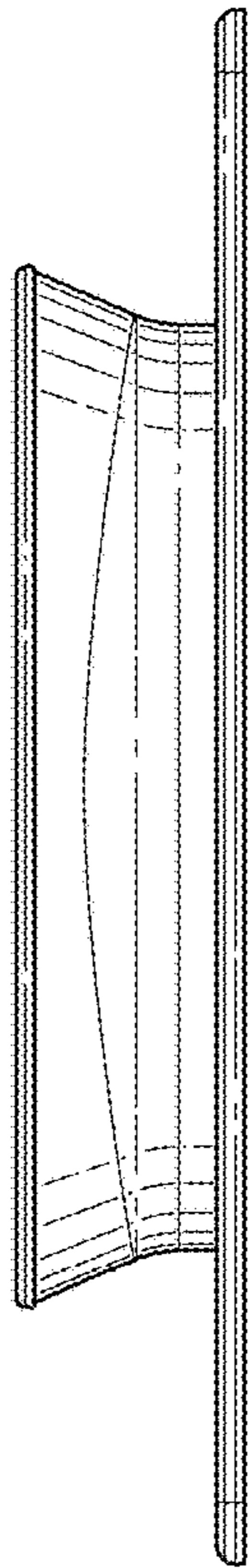


FIG. 4

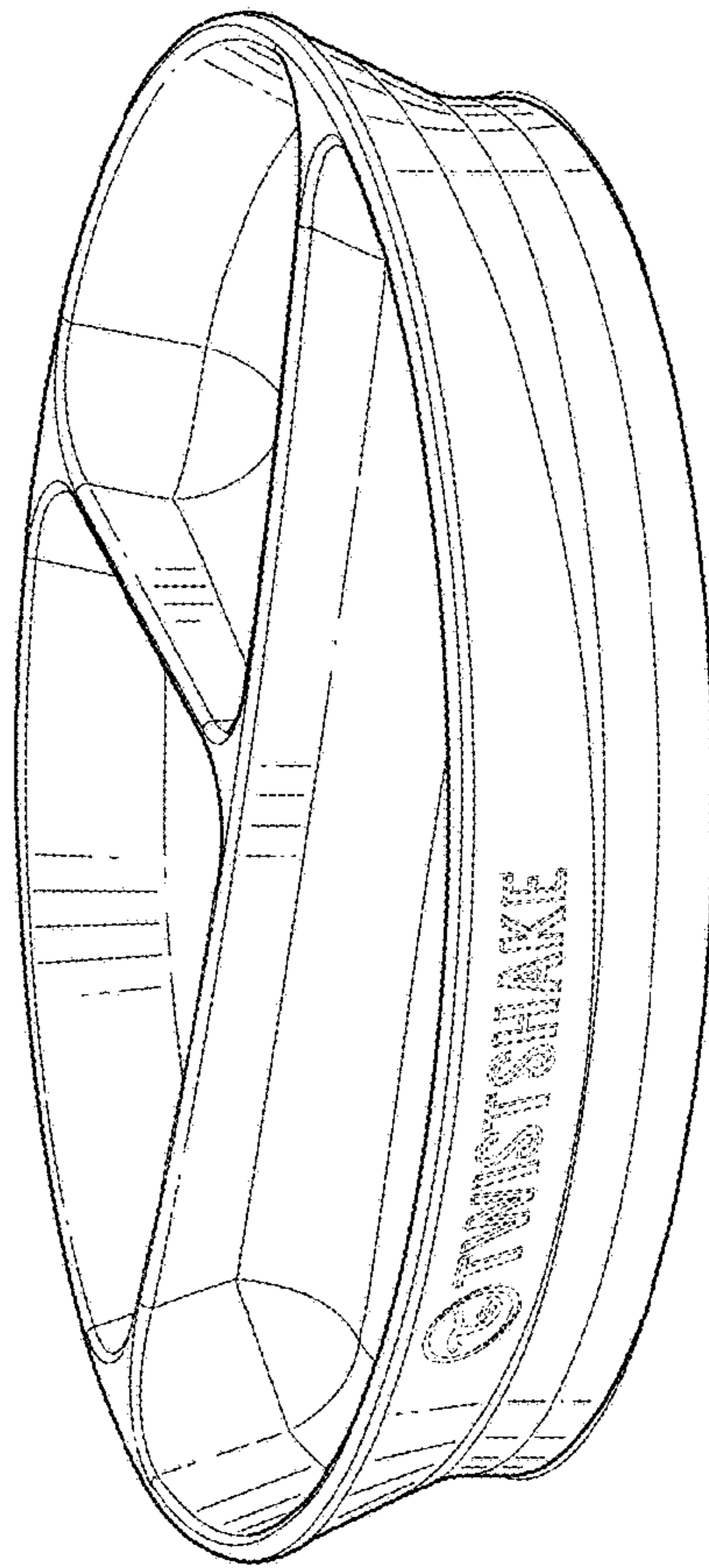


FIG. 5

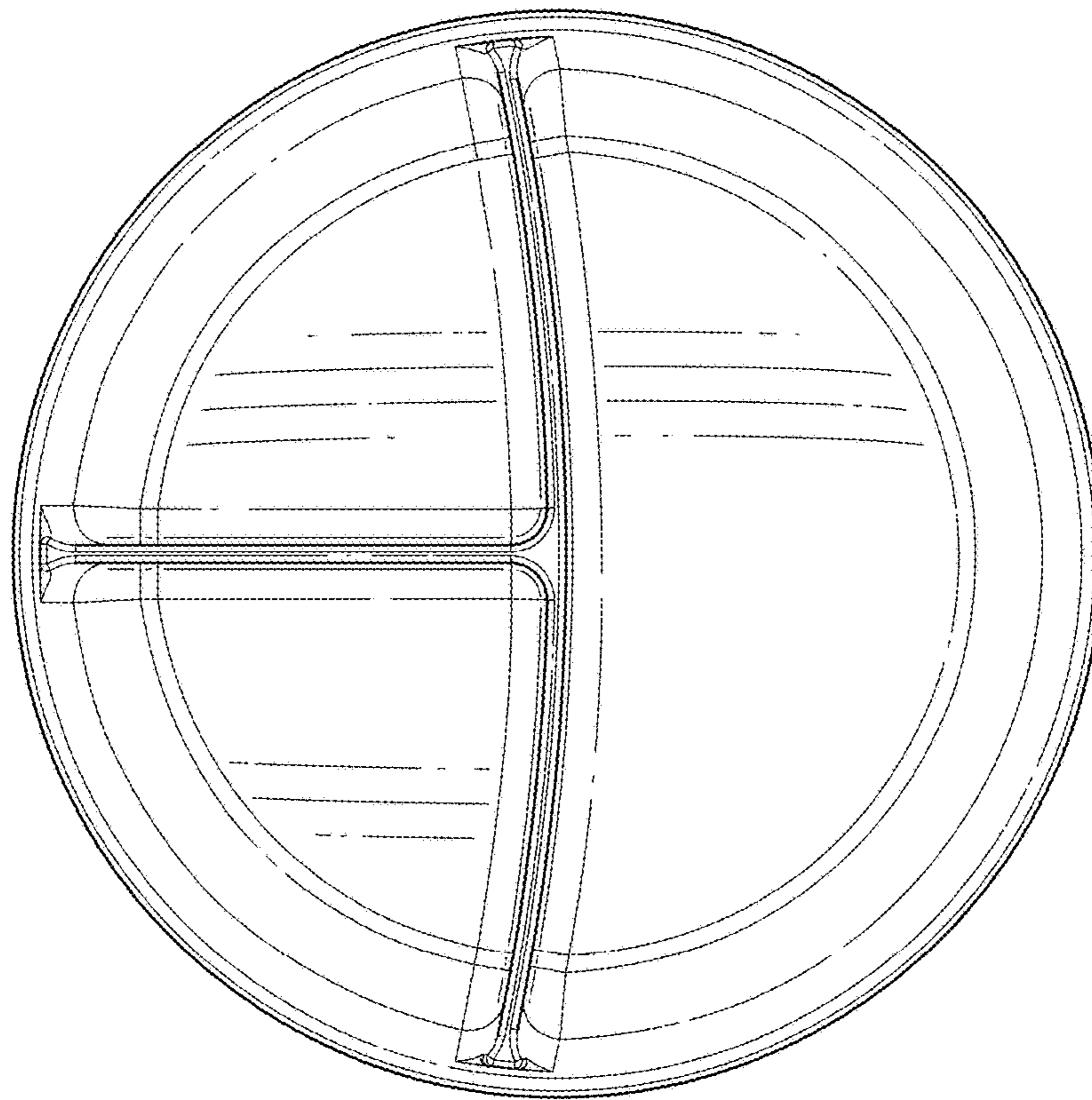


FIG. 6

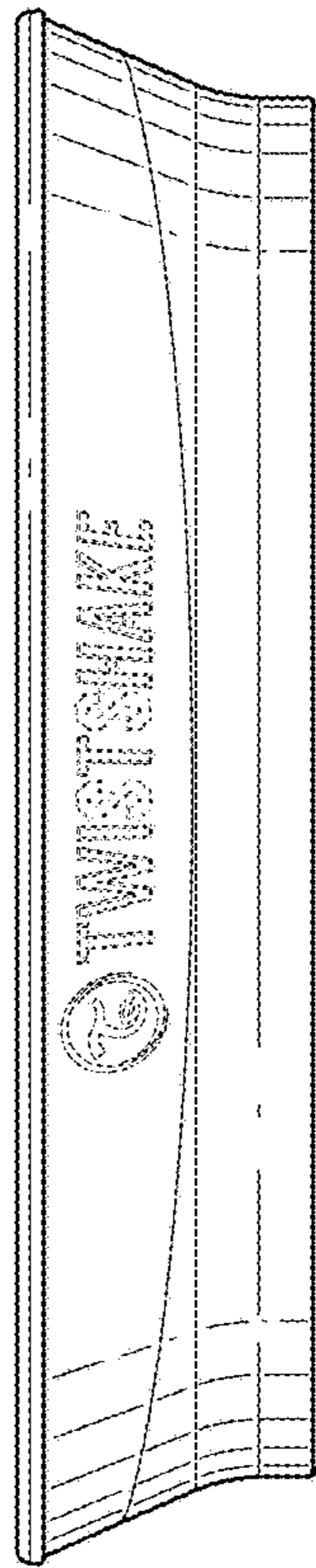


FIG. 7

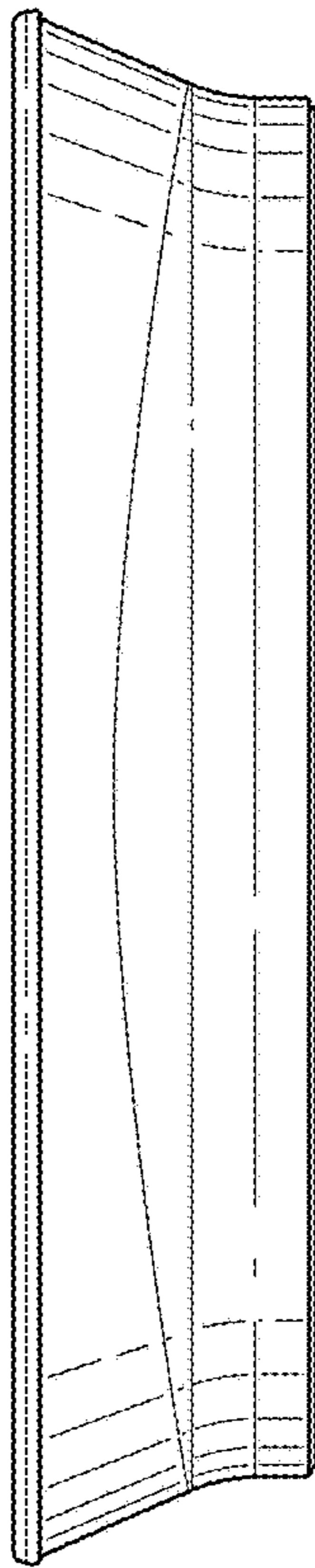


FIG. 8

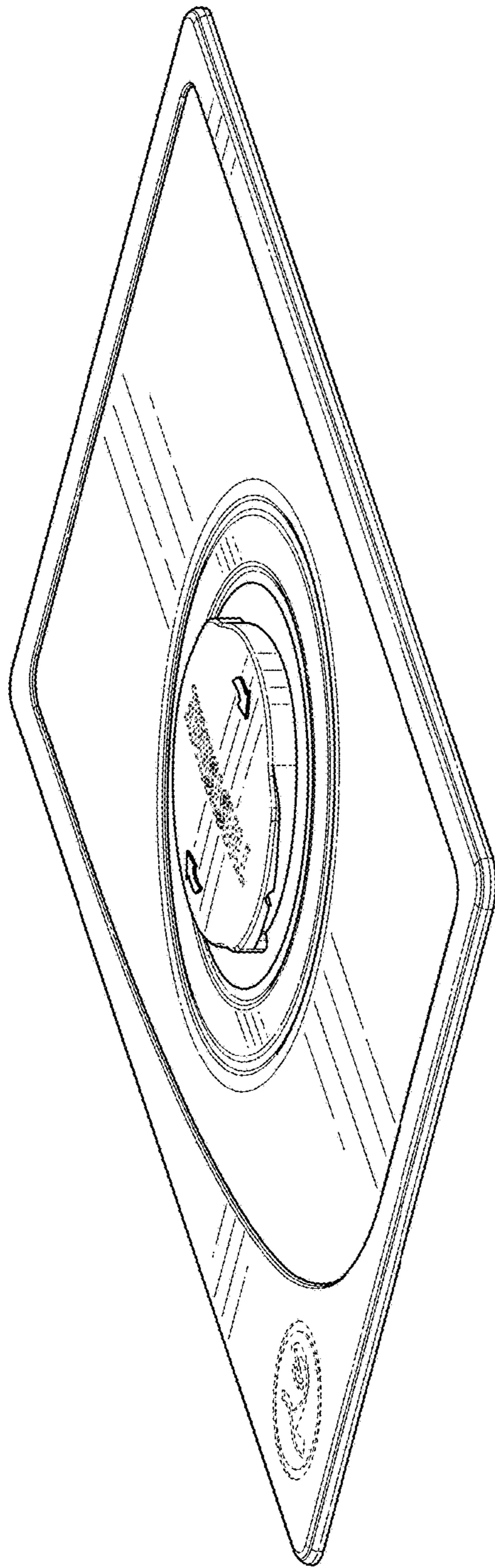


FIG. 9

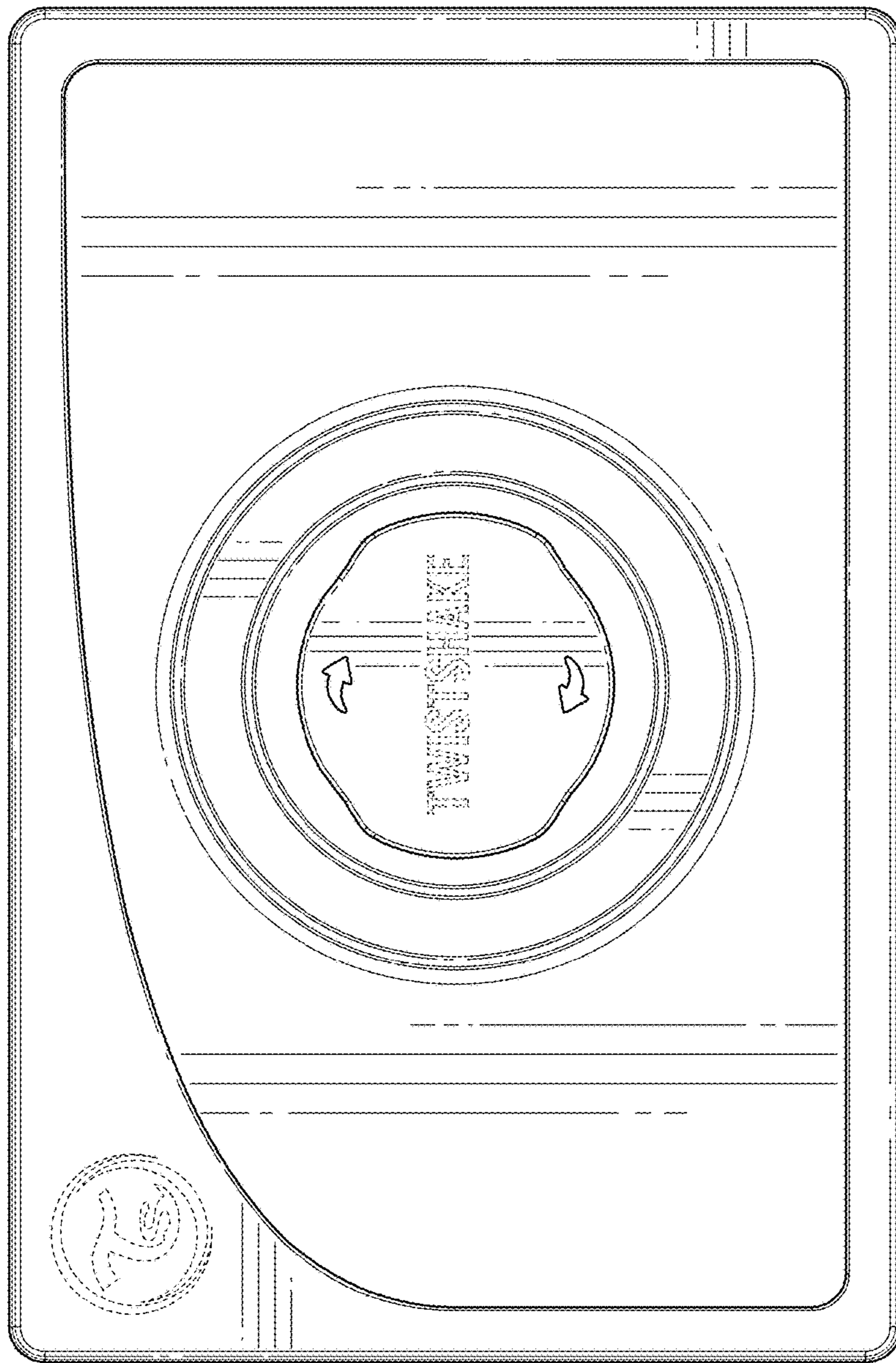


FIG. 10



FIG. 11



FIG. 12