



US00D850857S

(12) **United States Design Patent**
Bruner et al.

(10) **Patent No.:** **US D850,857 S**
(45) **Date of Patent:** **** Jun. 11, 2019**

- (54) **BEVERAGE CONTAINER**
- (71) Applicant: **HEWY WINE CHILLERS, LLC**,
Orlando, FL (US)
- (72) Inventors: **Stephen Bruner**, Orlando, FL (US);
Benjamin R. Hewitt, Orlando, FL (US)
- (73) Assignee: **Hewy Wine Chillers, LLC**, Orlando,
FL (US)

- 5,082,135 A 1/1992 DeCoster
- D328,014 S 7/1992 DeCoster et al.
- D446,684 S 8/2001 Price
- D458,806 S 6/2002 Price et al.
- 6,561,376 B2 5/2003 Price et al.
- D488,348 S 4/2004 Liu
- D495,199 S 8/2004 Matthews
- D505,830 S 6/2005 Smith et al.
- D514,385 S 2/2006 Smith et al.
- D514,884 S 2/2006 Smith et al.

(Continued)

(**) Term: **15 Years**

OTHER PUBLICATIONS

- (21) Appl. No.: **29/621,385**
- (22) Filed: **Oct. 6, 2017**
- (51) **LOC (11) Cl.** **07-01**
- (52) **U.S. Cl.**
USPC **D7/531; D7/509**
- (58) **Field of Classification Search**
USPC D7/505, 507, 509, 510, 511, 523, 530,
D7/531, 532, 300.1, 512, 513, 396.1,
D7/396.2, 552.2, 553.6, 584, 672, 554.3,
D7/557, 560, 562, 635; 220/592.16,
220/592.17; D9/453, 570, 557, 556, 569;
D10/46.2
CPC A47G 19/22; A47G 19/2205; A47G
19/2266; A47G 19/2227; B65D 1/265;
B65D 3/06; A45F 3/20
See application file for complete search history.

Communication from a foreign patent office in a counterpart foreign application, JIPO, "Notification of Reasons for Refusal," Application No. JP 2017-024153, dated Jun. 29, 2018, 2 pages.

(Continued)

Primary Examiner — Marianne N Pandozzi
Assistant Examiner — Jae Liang
(74) *Attorney, Agent, or Firm* — Dickinson Wright PLLC;
Michael E. Noe

(56) **References Cited**

U.S. PATENT DOCUMENTS

- 1,744,328 A 1/1930 Morley
- 2,090,320 A 8/1937 Amick
- D107,781 S 1/1938 Mackelfresh, Jr.
- 2,863,585 A 12/1958 Meshberg
- 3,126,139 A 3/1964 Schechter
- D209,308 S * 11/1967 Schilling D7/523
- D211,514 S 6/1968 Amberg
- D213,174 S 1/1969 Davis

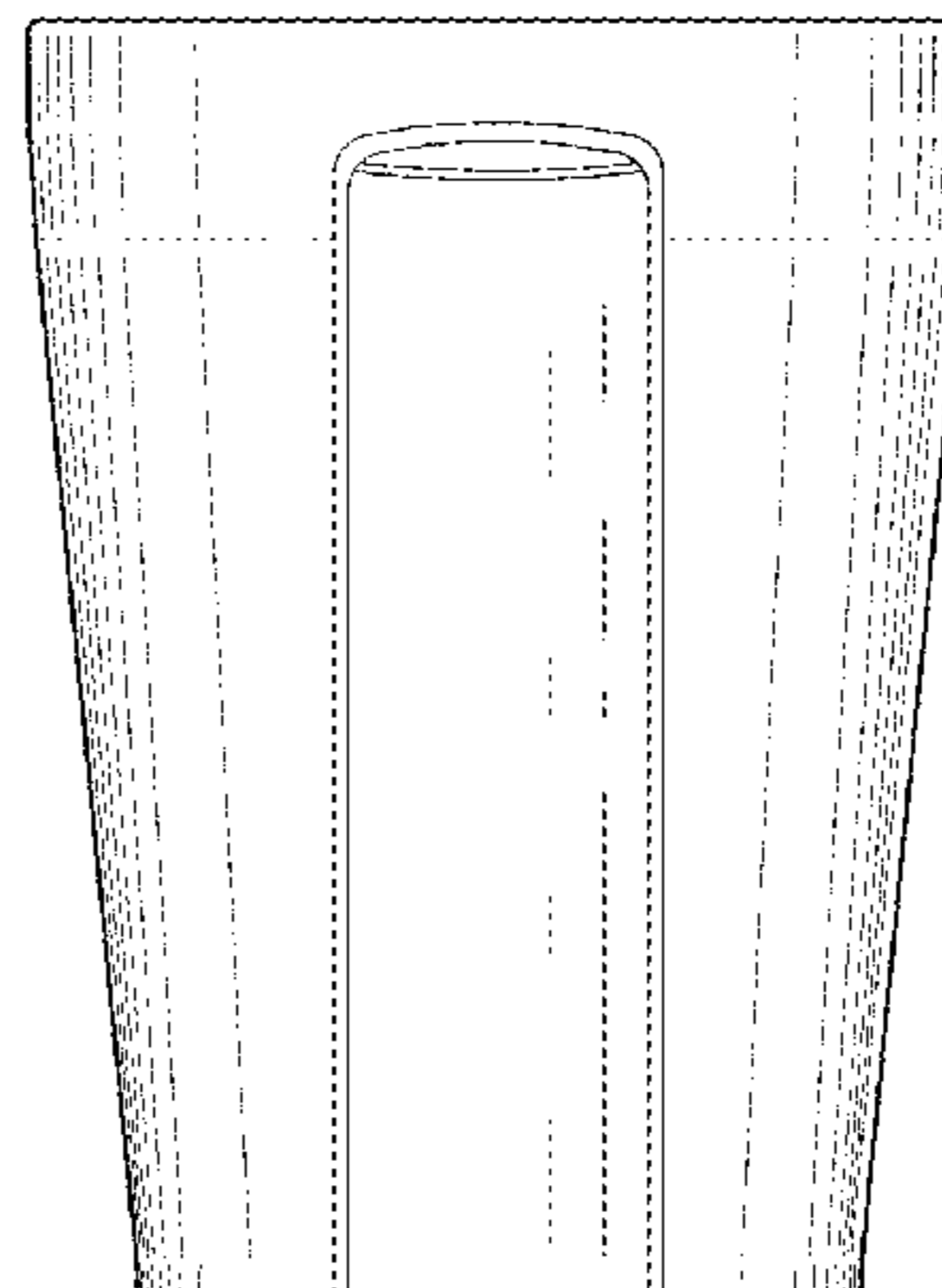
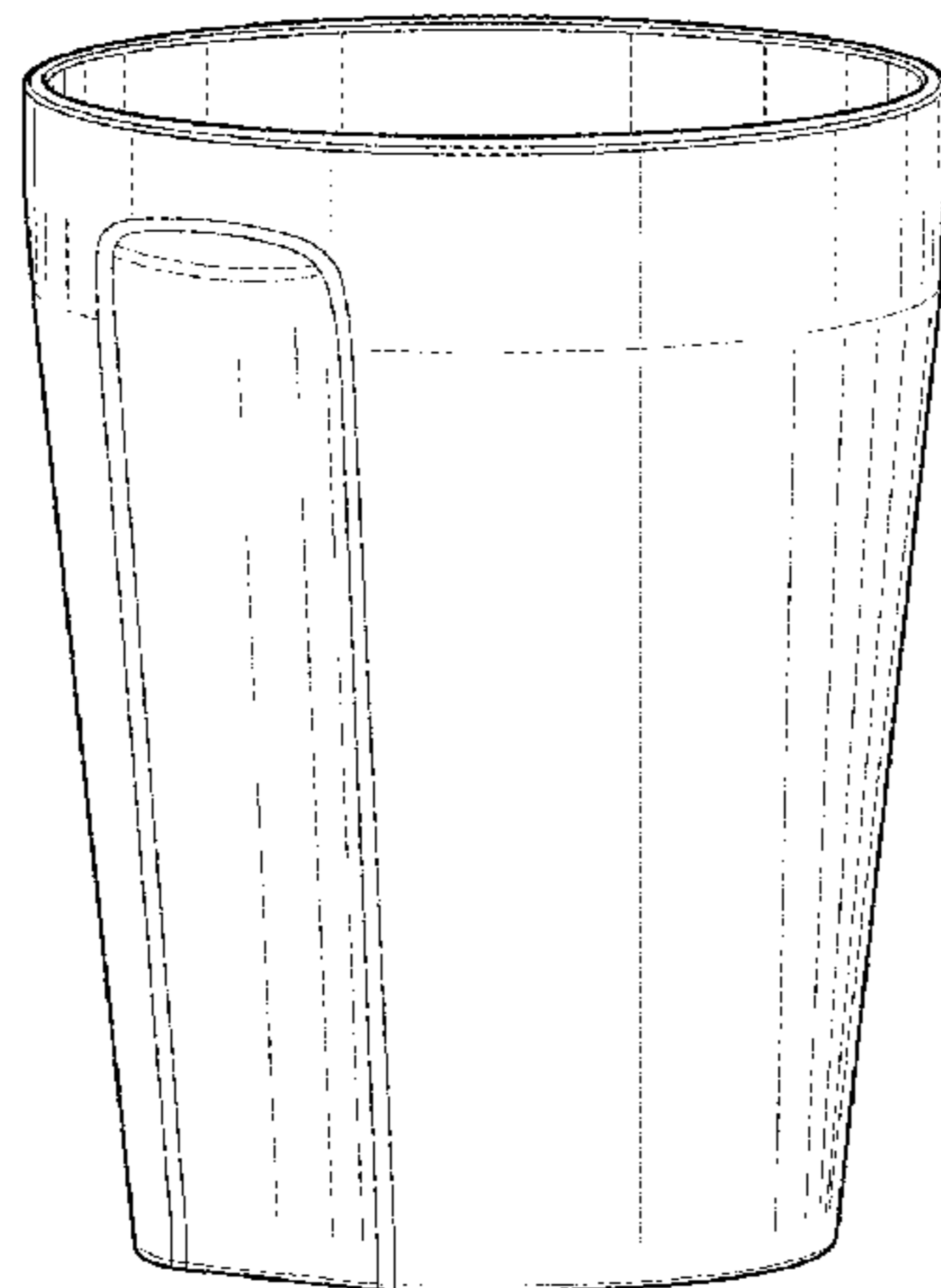
(57) **CLAIM**

The ornamental design for a beverage container, as shown and described.

DESCRIPTION

FIG. 1 is a top, front perspective view of a beverage container showing our new design; FIG. 2 is a left side view thereof; FIG. 3 is a right side view thereof; FIG. 4 is a front view thereof; FIG. 5 is a rear view thereof; FIG. 6 is a top view thereof; and, FIG. 7 is a bottom view thereof. The broken lines in the drawings depict portions of the beverage container that form no part of the claimed design.

1 Claim, 4 Drawing Sheets



(56)

References Cited

U.S. PATENT DOCUMENTS

D526,848	S	*	8/2006	Bodum	D7/509
D543,326	S	*	5/2007	Dretzka	D11/152
D552,420	S		10/2007	Liu		
D580,227	S	*	11/2008	Roth	D7/392.1
D590,662	S		4/2009	Cheng		
D604,157	S	*	11/2009	Reiterer	D9/416
D672,618	S	*	12/2012	Stamper	D7/602
D699,996	S		2/2014	De Leo		
9,052,105	B2		6/2015	Zalon		
D750,436	S		3/2016	Hopkins et al.		
D751,343	S	*	3/2016	Chen	D7/509
D752,390	S		3/2016	Ksiazek et al.		
D765,471	S		9/2016	Gorbald		
D799,274	S	*	10/2017	Hewitt	D7/531
D800,501	S	*	10/2017	Rummel	D7/509
2008/0006643	A1		1/2008	Ma		
2008/0179335	A1		7/2008	Lee et al.		
2011/0062160	A1		3/2011	Vasic		
2012/0132658	A1		5/2012	Dans et al.		
2012/0273503	A1		11/2012	Yen		
2014/0124513	A1		5/2014	Shearer		

OTHER PUBLICATIONS

Document No. HG20916025 dated Apr. 1, 1985, JIPO publication,
1 page.

* cited by examiner

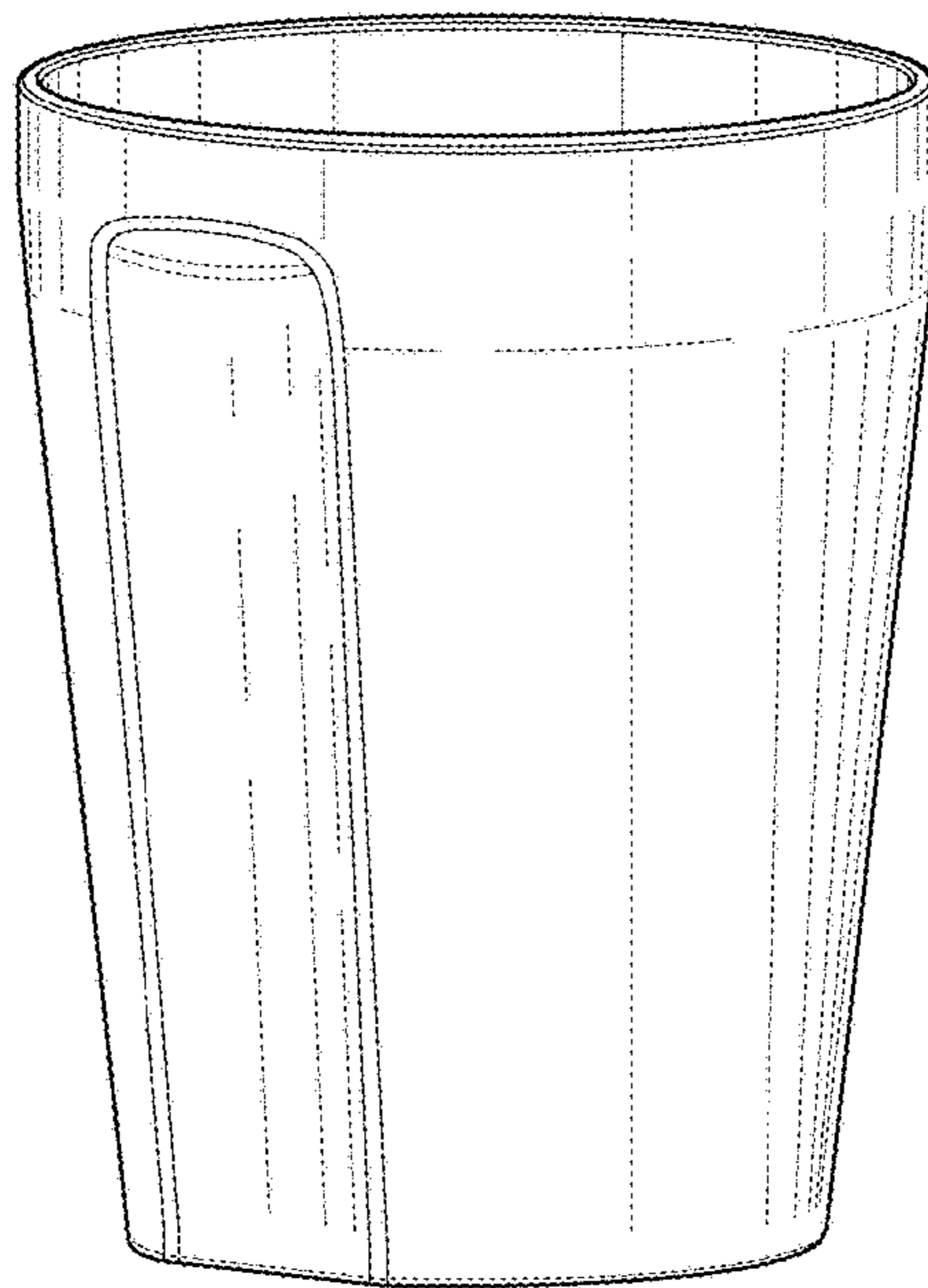


FIG. 1

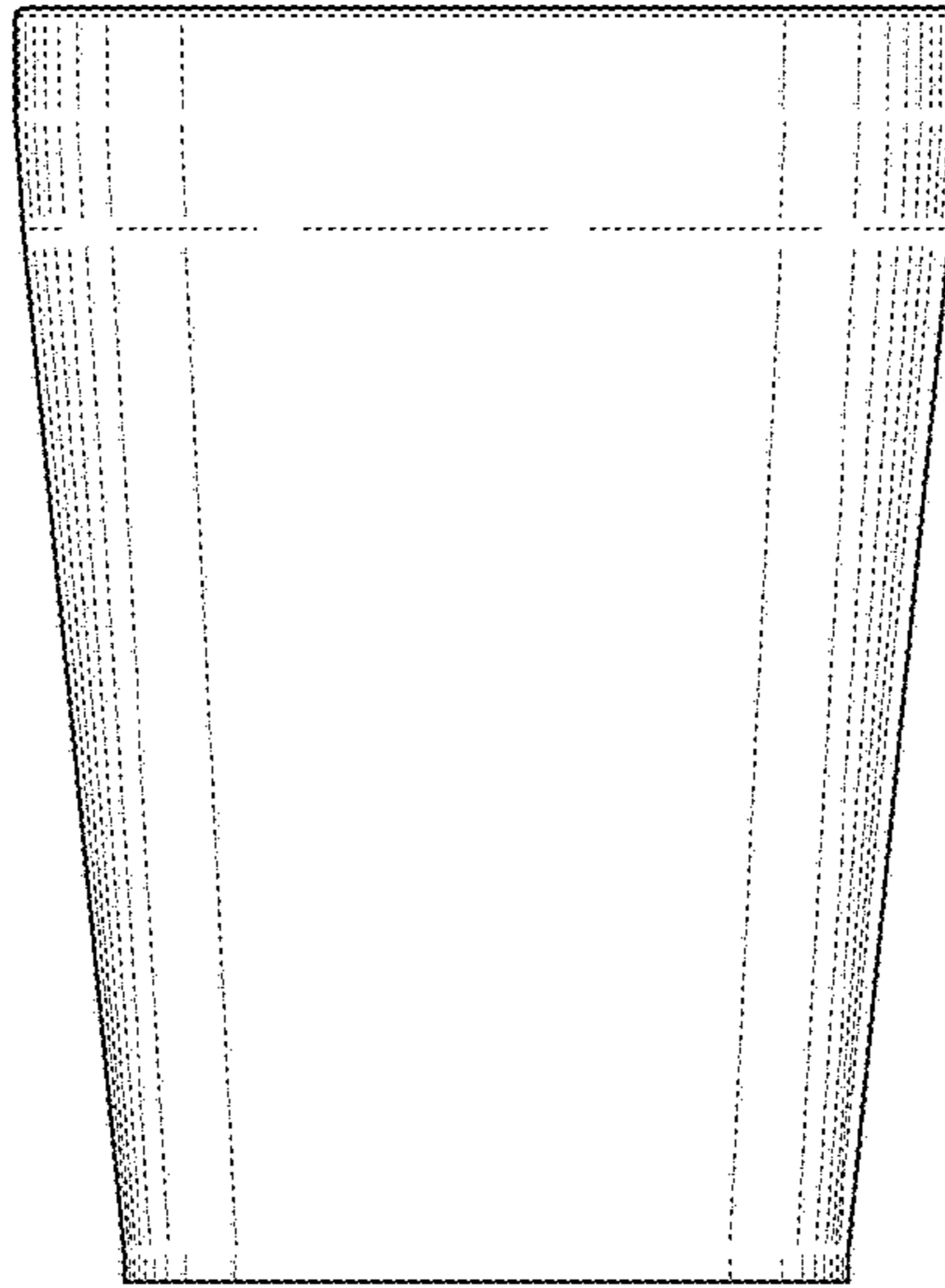


FIG. 2

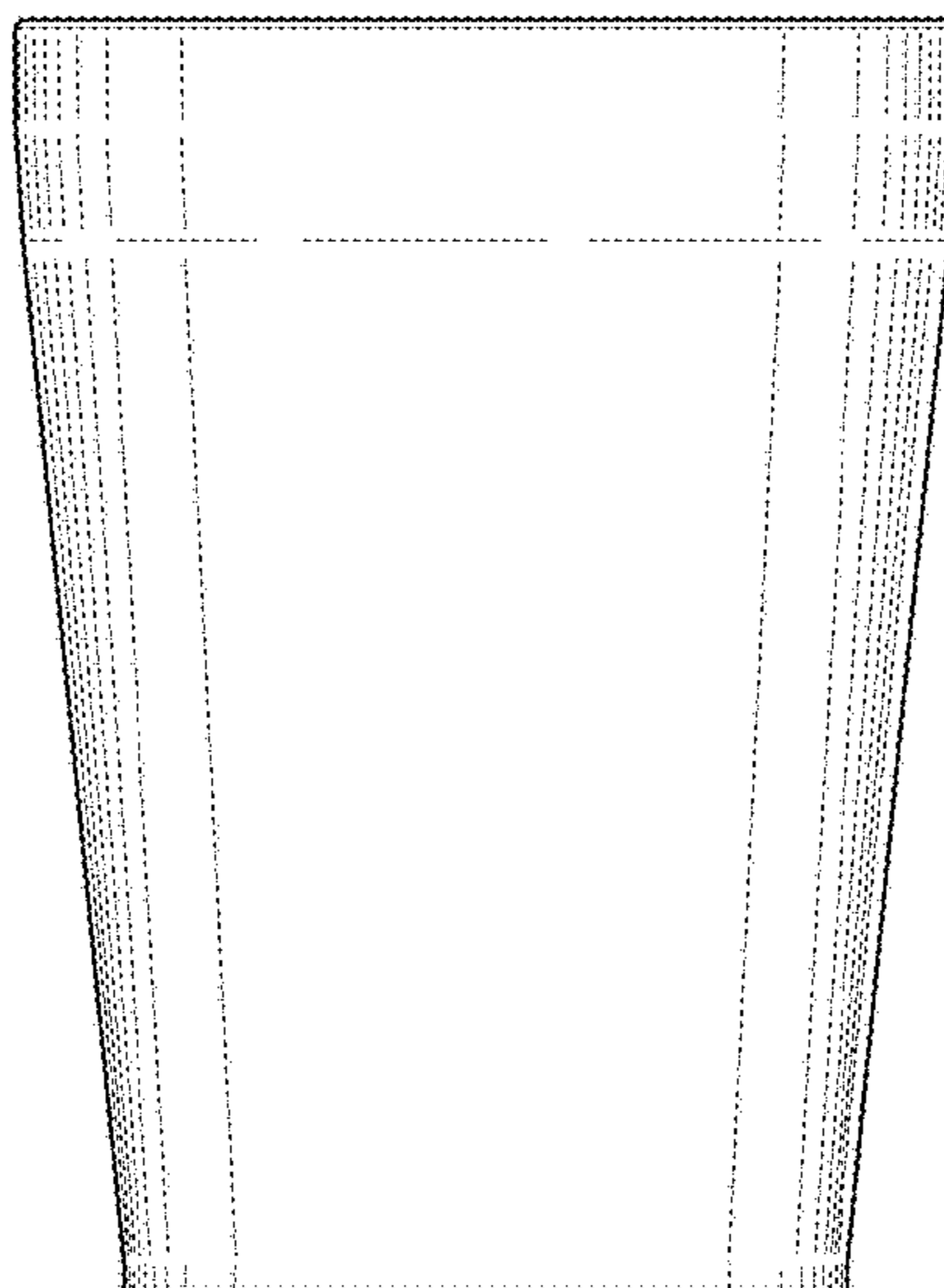


FIG. 3

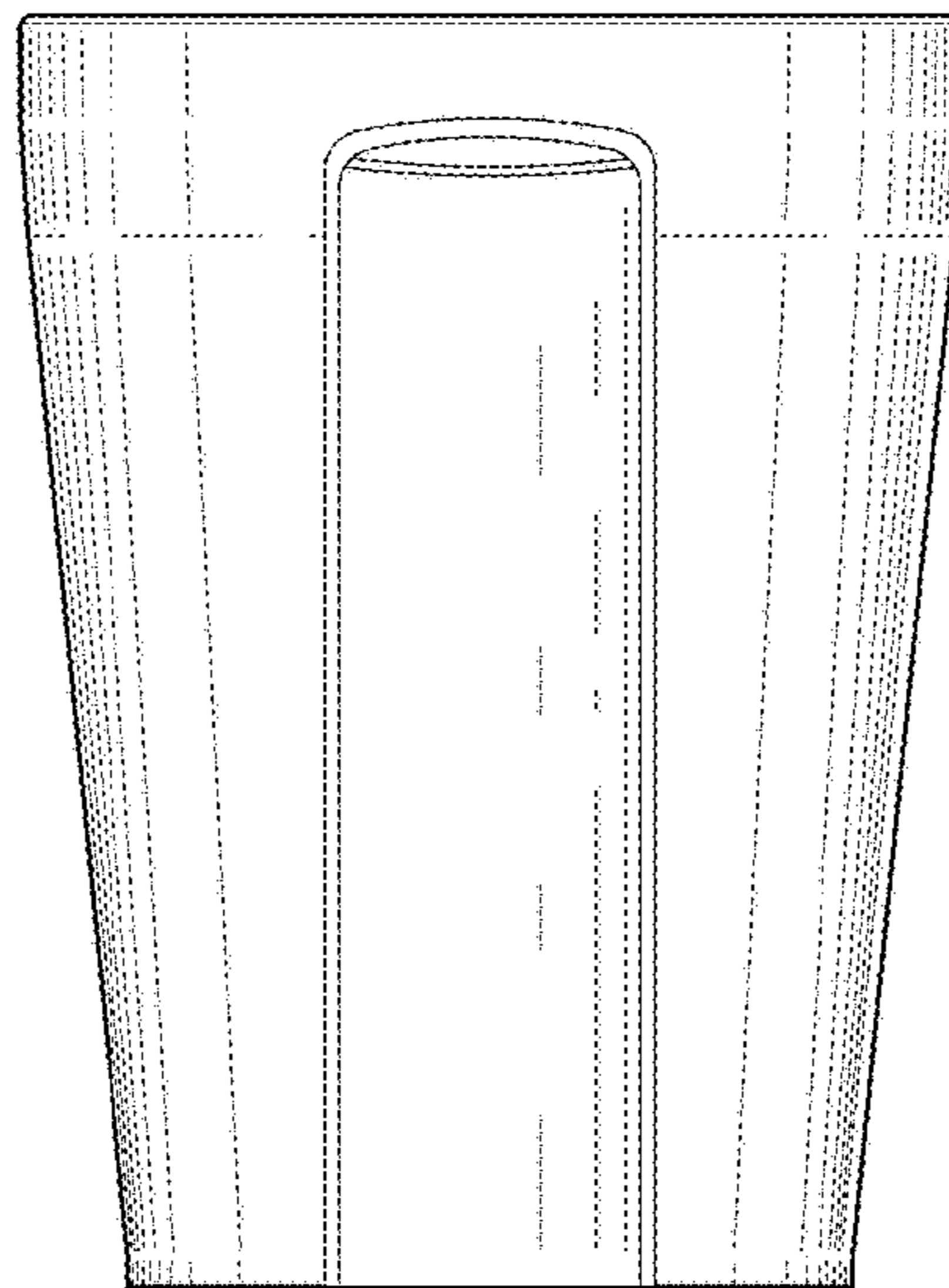


FIG. 4

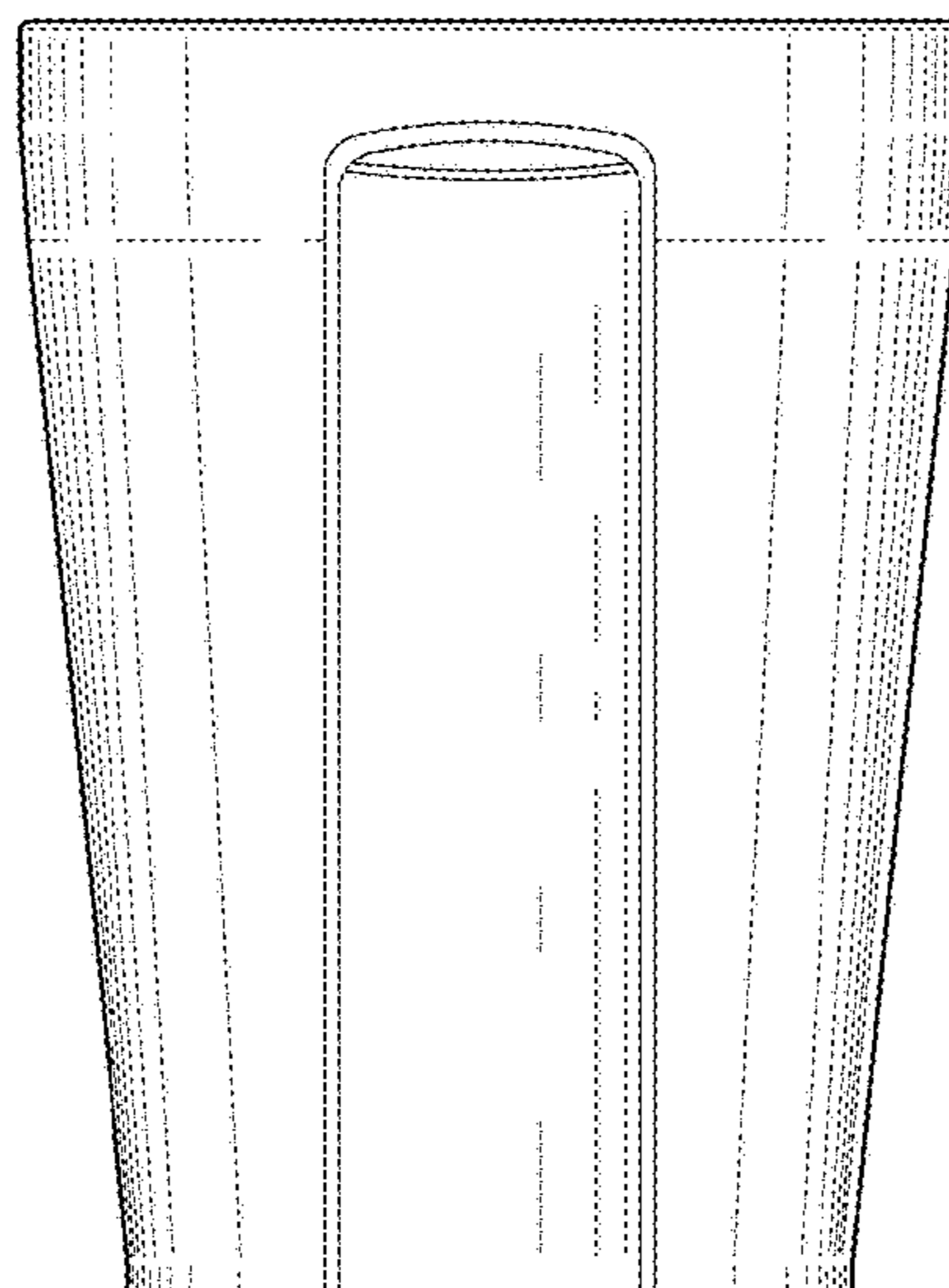


FIG. 5

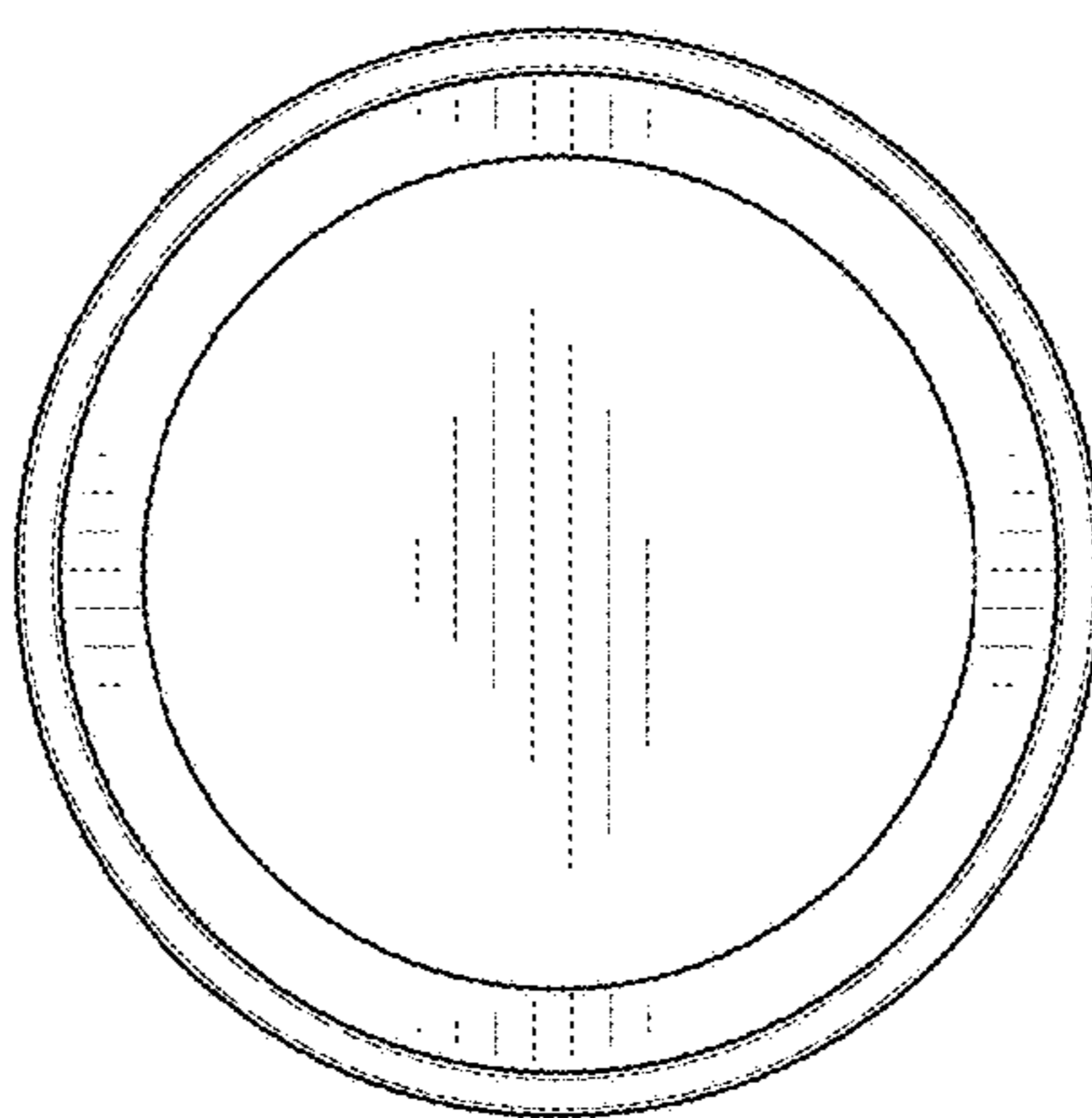


FIG. 6

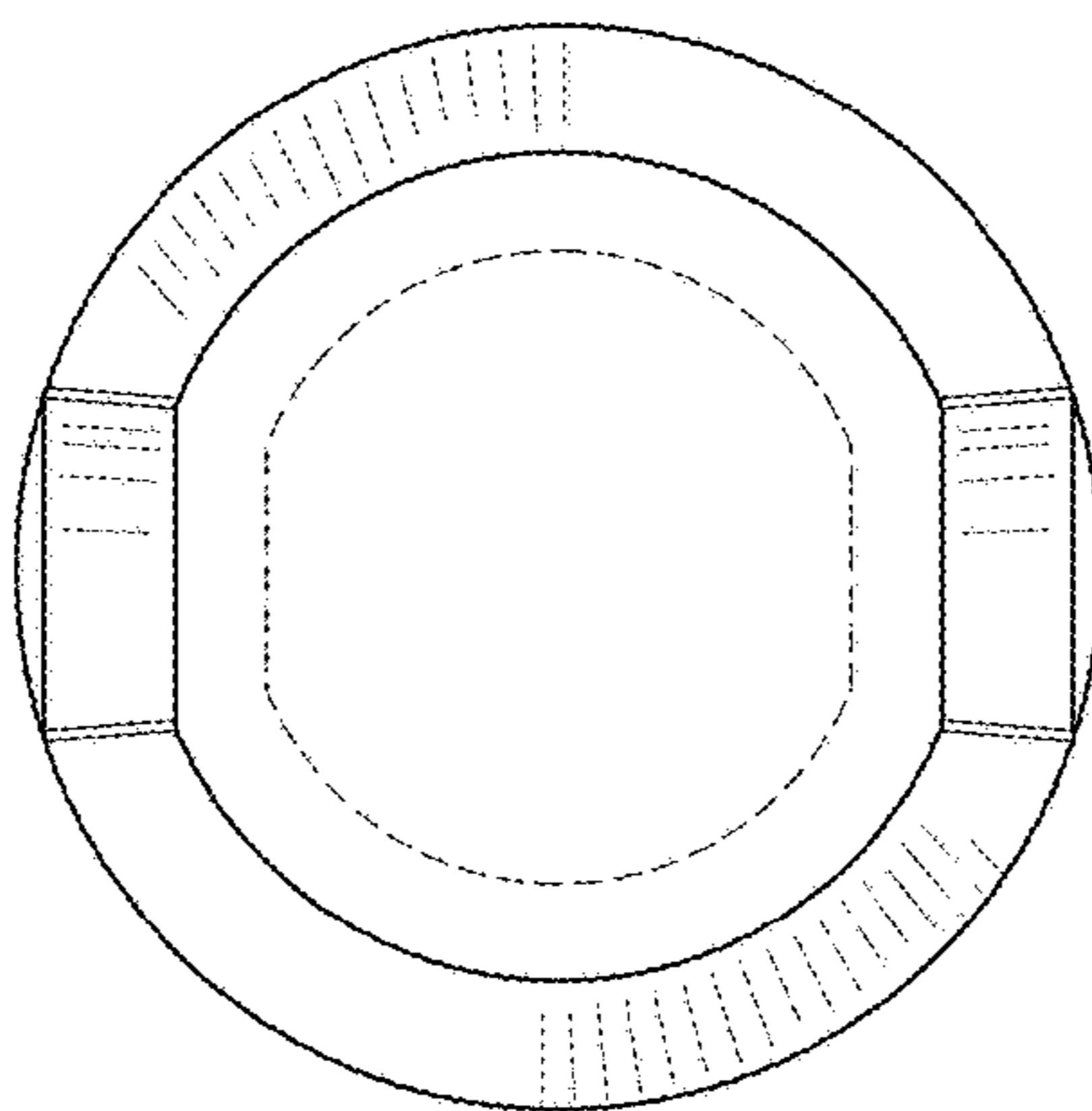


FIG. 7