



US00D850856S

(12) **United States Design Patent**
Meller

(10) **Patent No.:** **US D850,856 S**

(45) **Date of Patent:** **** Jun. 11, 2019**

(54) **DRINKWARE**

(71) Applicant: **Nikolaus Meller**, Lake Oswego, OR
(US)

(72) Inventor: **Nikolaus Meller**, Lake Oswego, OR
(US)

(**) Term: **15 Years**

(21) Appl. No.: **29/619,981**

(22) Filed: **Oct. 3, 2017**

(51) **LOC (11) Cl.** **07-01**

(52) **U.S. Cl.**

USPC **D7/524; D7/528**

(58) **Field of Classification Search**

USPC D7/505, 507, 509, 510, 511, 514, 515,
D7/523, 533, 534, 535, 536, 392.1, 396.3,
D7/400, 564, 577, 571, 569, 556, 656,
D7/654, 642, 607, 603, 602, 624.1, 624.2,
D7/680, 397, 398, 213, 403, 396.6, 633,
D7/631, 632, 901, 524-528; 220/200,
220/592.16, 592.17, 495.03; D9/434,
D9/435; D24/197; D19/194; D28/4, 39,
D28/10, 38, 76, 82, 85, 88; D11/143,
D11/144, 391

CPC A47G 19/2205; A47G 19/22; A47G
19/2211; A47G 19/2216; B65D 1/265;
B65D 3/06; A45F 3/20

See application file for complete search history.

(56) **References Cited**

U.S. PATENT DOCUMENTS

D52,622 S * 11/1918 Balda D7/524
D104,573 S * 5/1937 McCartney D7/524
D219,789 S * 1/1971 Quistgaard D7/524

D230,552 S * 3/1974 Bengert 215/374
D254,946 S * 5/1980 Tayebi D7/528
D509,993 S * 9/2005 Lambert D7/524
D544,306 S * 6/2007 Festa D7/300.1
D564,894 S * 3/2008 Buoy D7/524
D575,108 S * 8/2008 Barducci D7/509
D617,148 S * 6/2010 Musso D7/524
D771,439 S * 11/2016 Miller D7/509
D804,249 S * 12/2017 Gispert D7/505
D815,913 S * 4/2018 McLaughlin D7/523

* cited by examiner

Primary Examiner — Marianne N Pandozzi

Assistant Examiner — Jae Liang

(74) *Attorney, Agent, or Firm* — James A. Sheridan;
Sheridan Law, LLC

(57) **CLAIM**

The ornamental design for a drinkware, as shown and described.

DESCRIPTION

FIG. 1 is a perspective view of a first embodiment of a drinkware showing my new design;

FIG. 2 is a front elevational view thereof; the rear elevational view, the left and right side elevational views being a mirror image thereof;

FIG. 3 is a top plan view of the red wine drinkware;

FIG. 4 is a bottom plan view thereof;

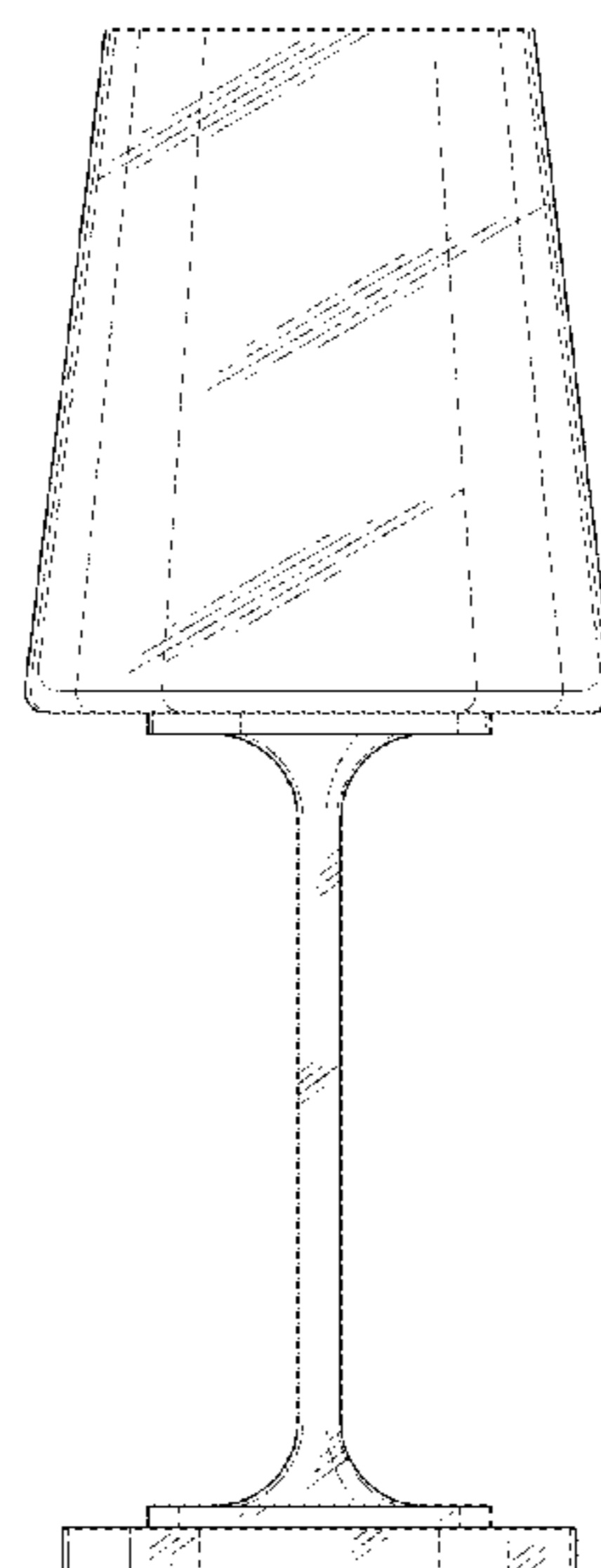
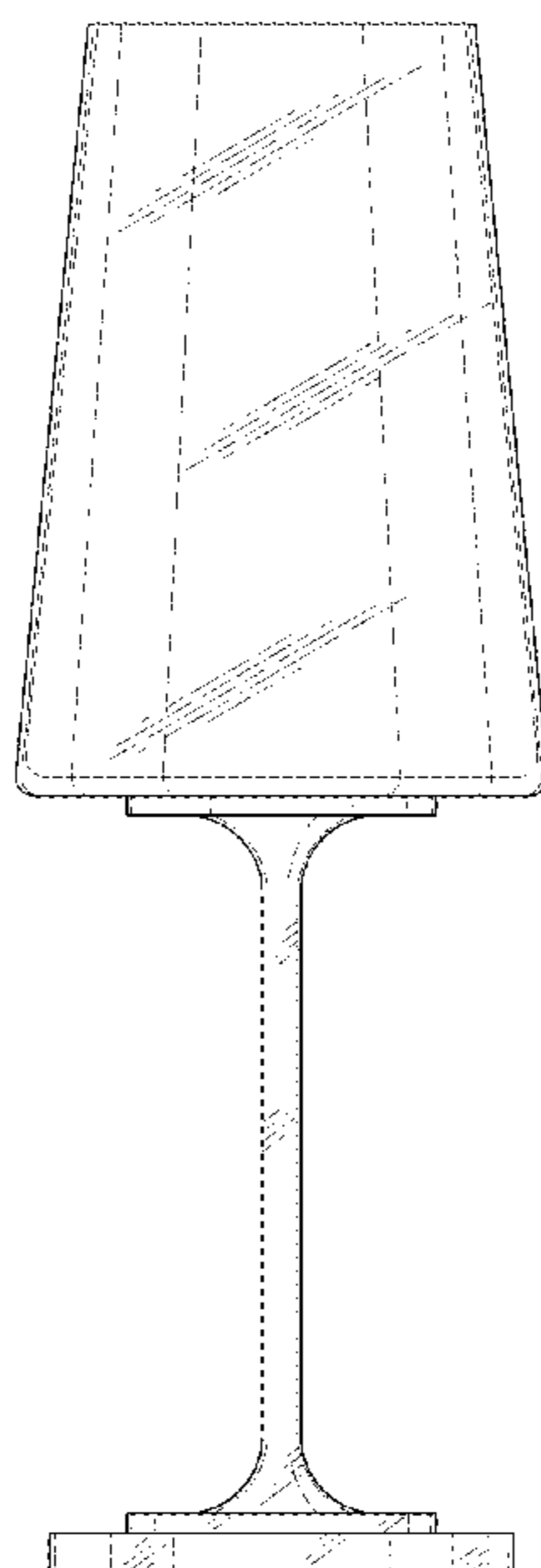
FIG. 5 is a perspective view of a second embodiment of a drinkware;

FIG. 6 is a front elevational view thereof; the rear elevational view, the left and right side elevational views of being a mirror image thereof;

FIG. 7 is a top plan view thereof; and,

FIG. 8 is a bottom plan view thereof.

1 Claim, 6 Drawing Sheets



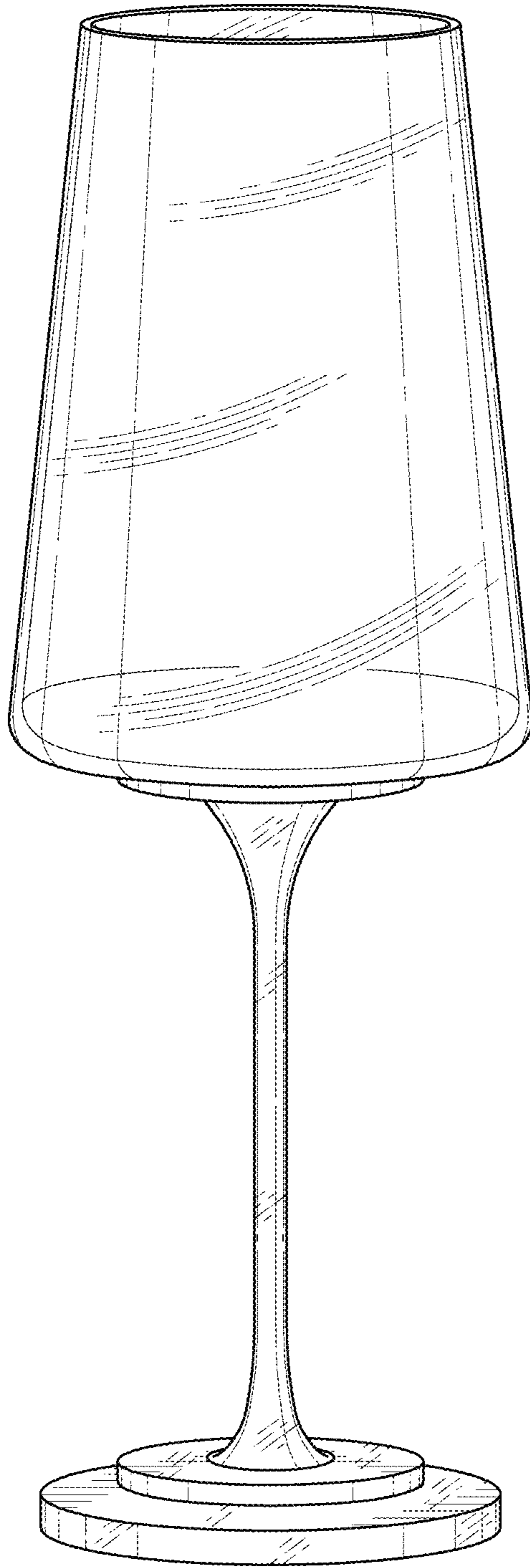


FIG. 1

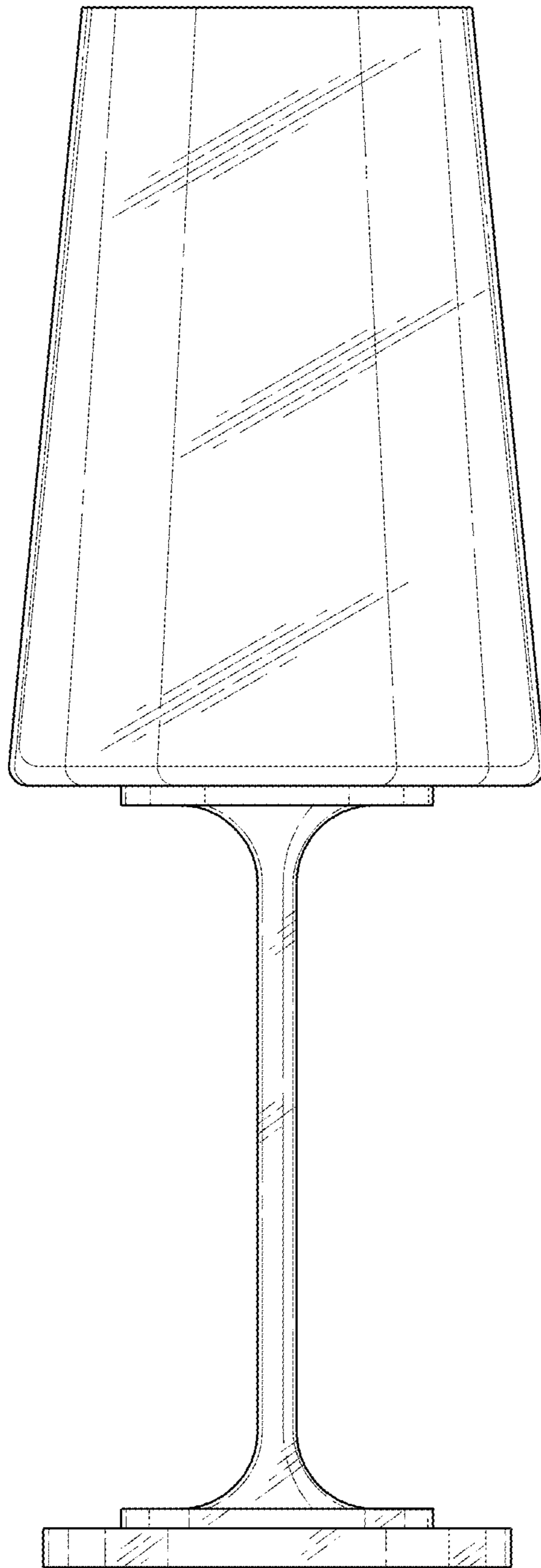


FIG. 2

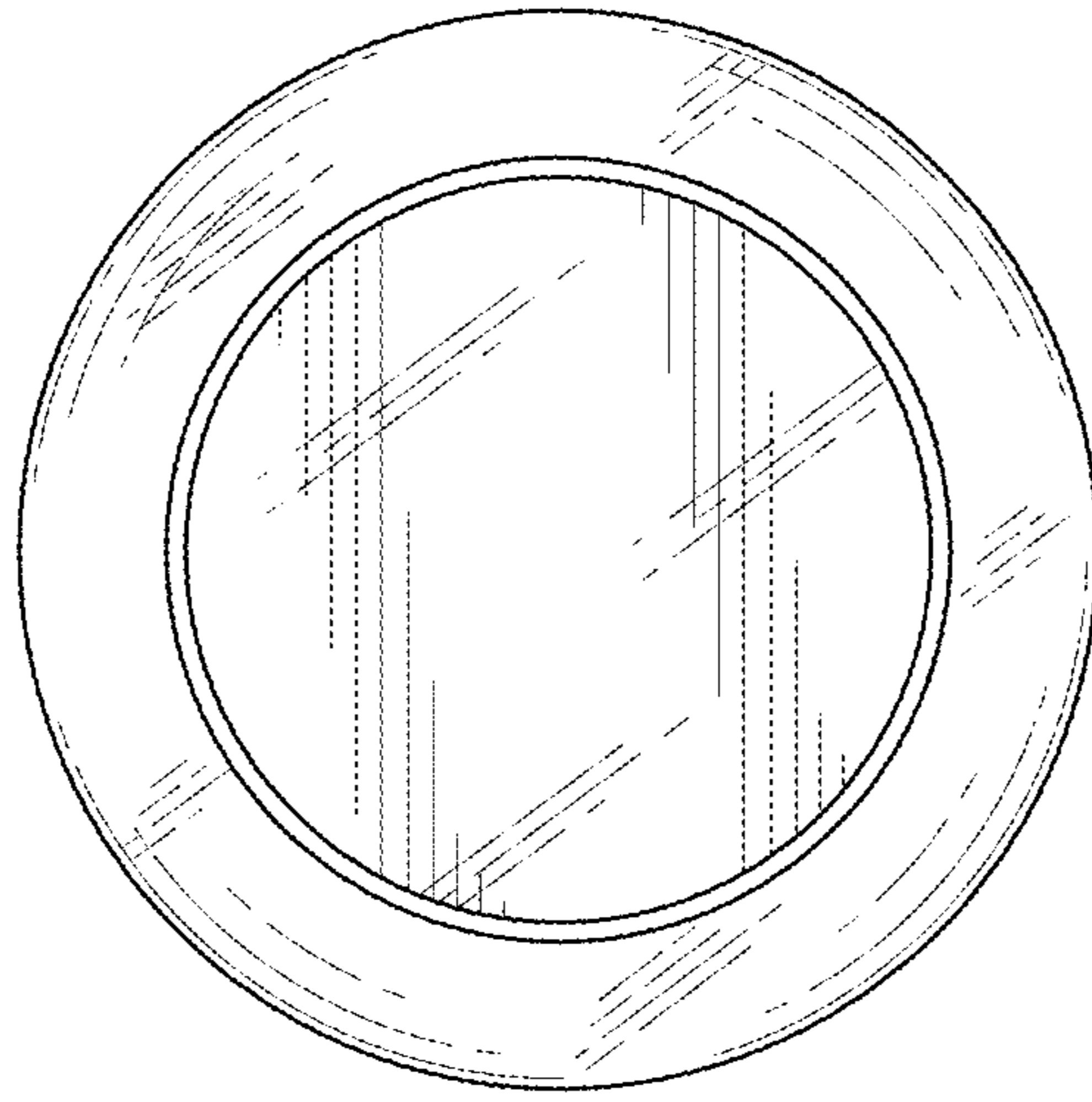


FIG. 3

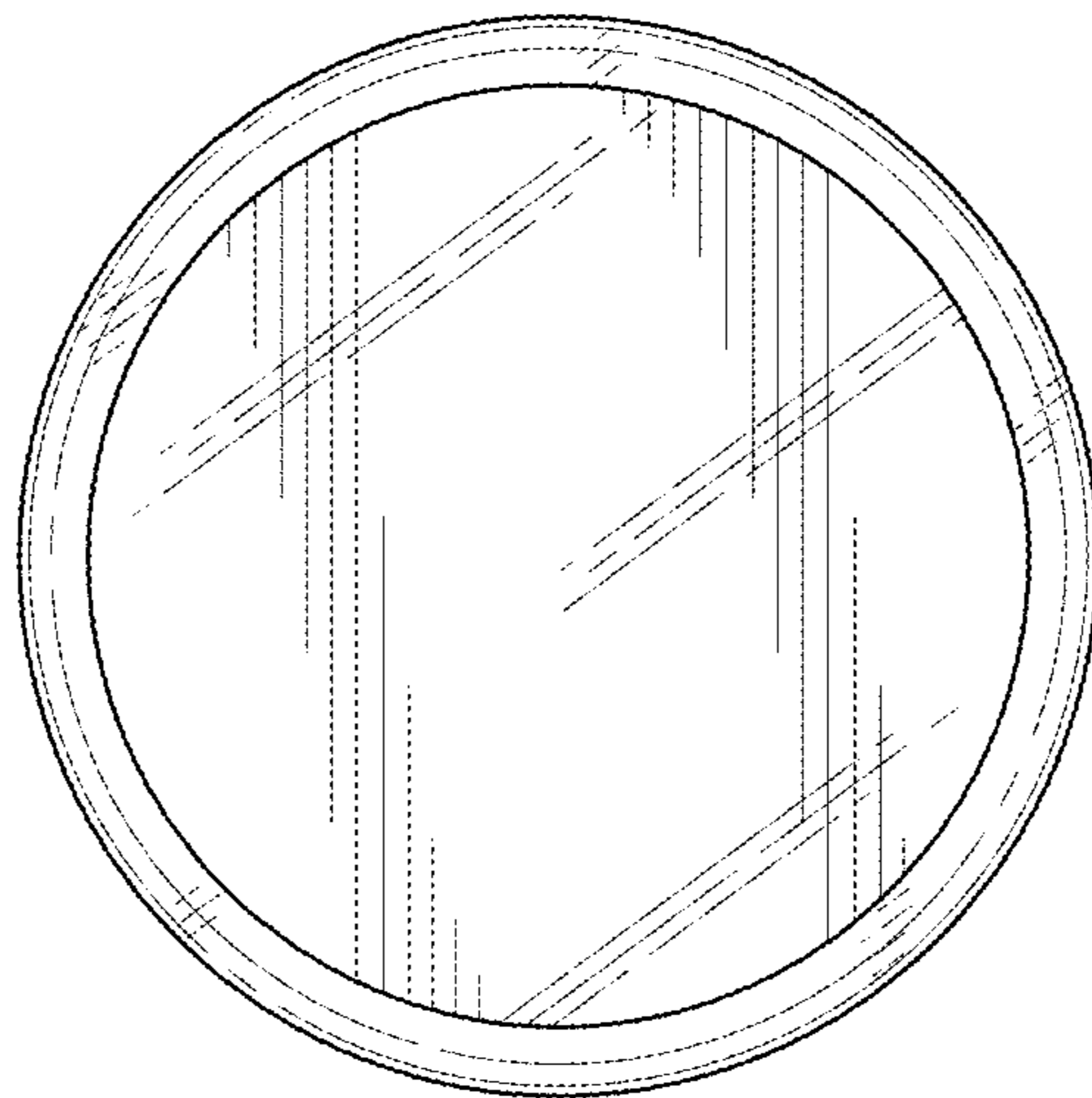


FIG. 4

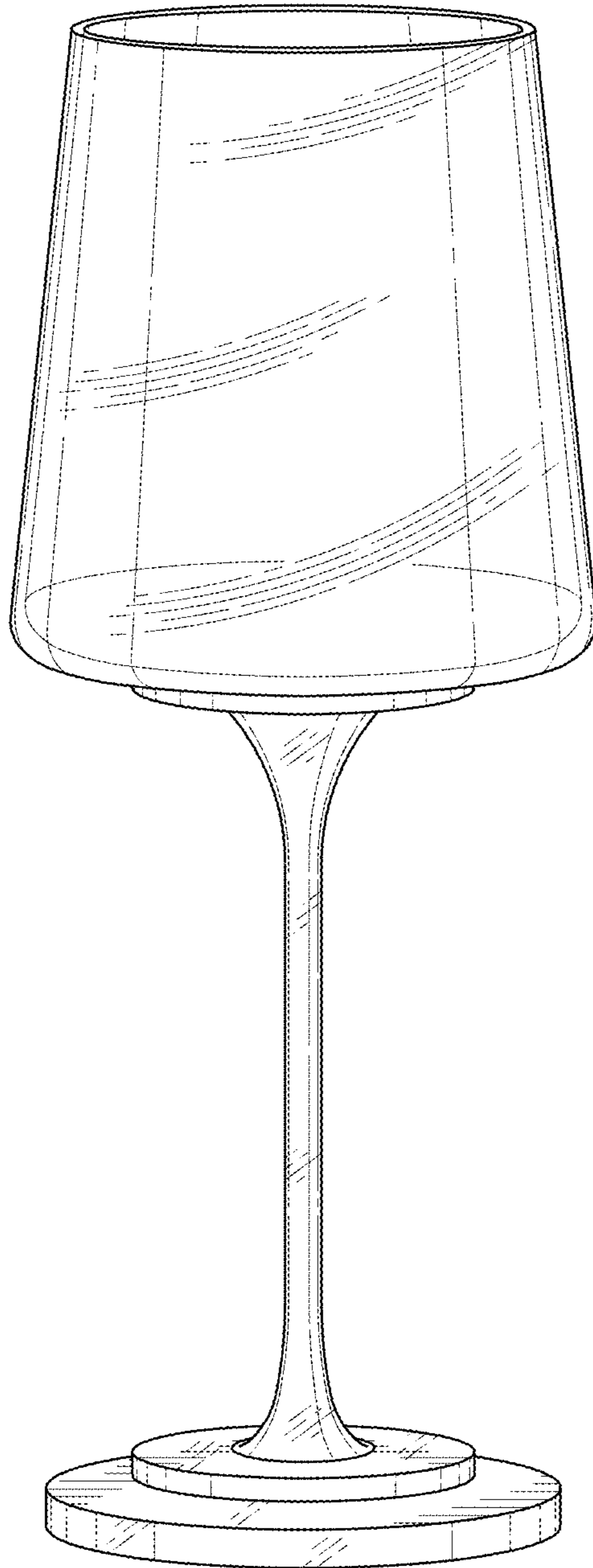


FIG. 5

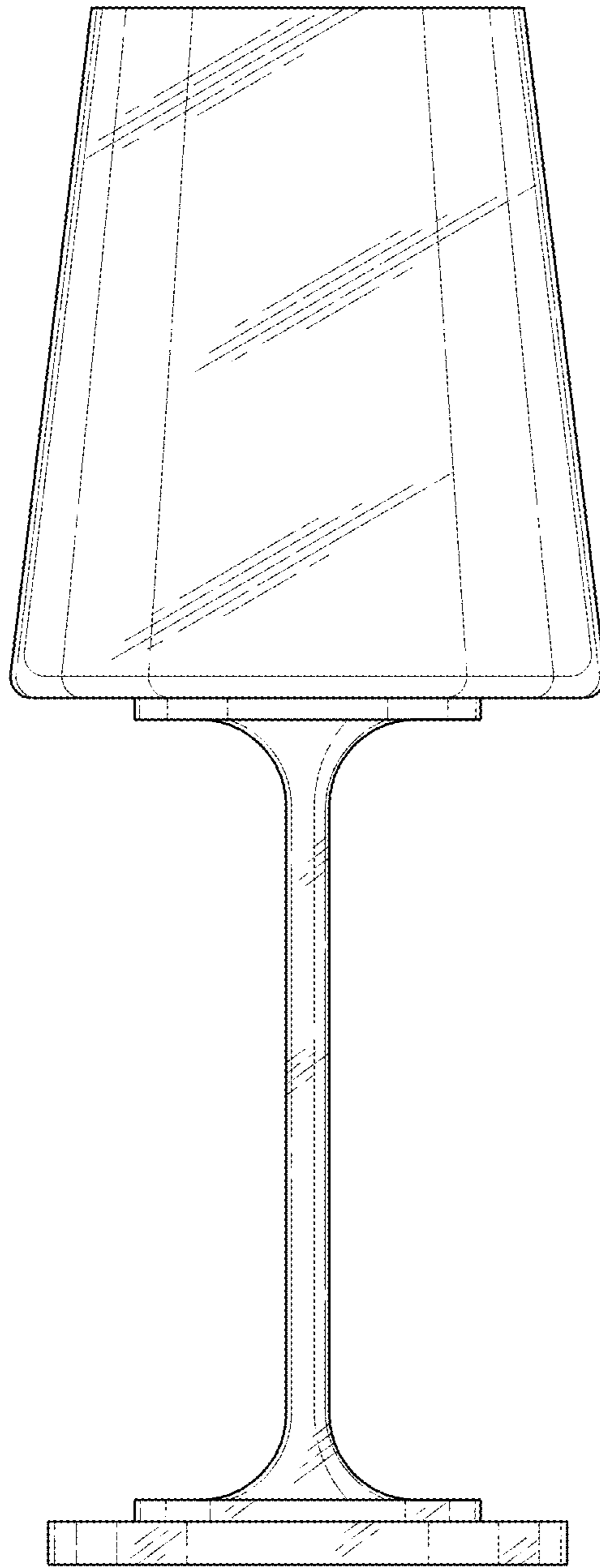


FIG. 6

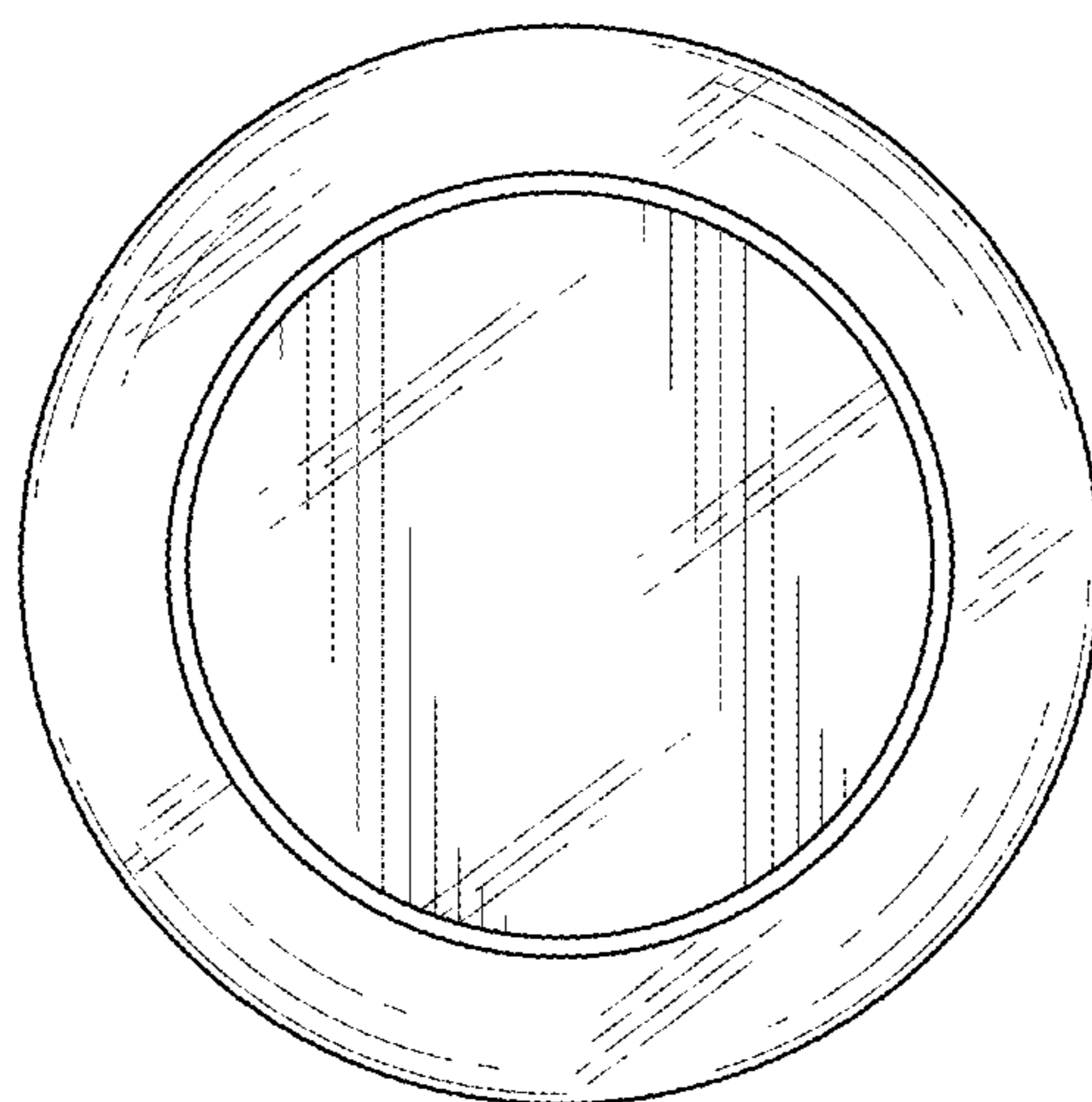


FIG. 7

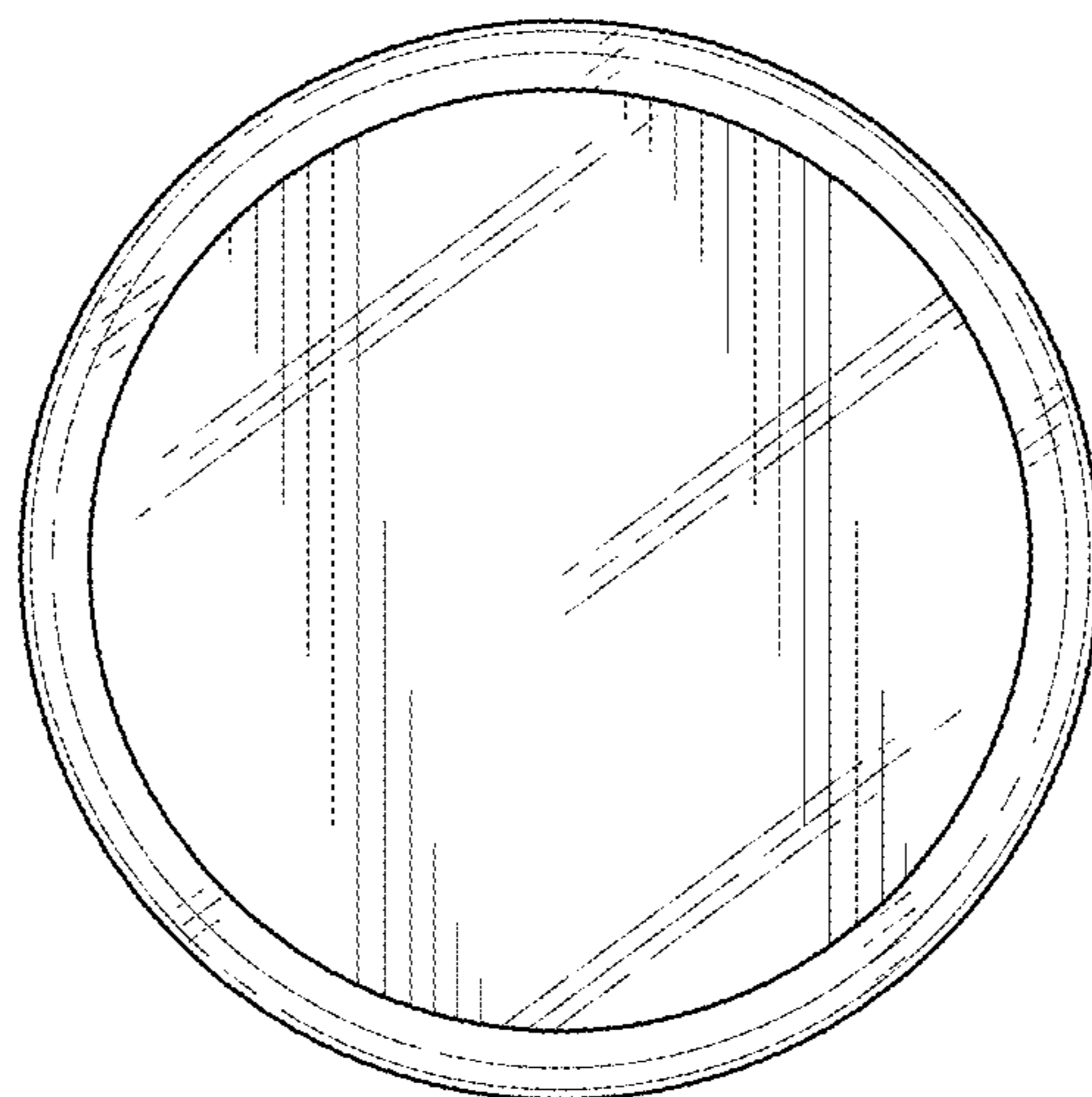


FIG. 8