



US00D850854S

(12) **United States Design Patent**
Lyons

(10) **Patent No.:** **US D850,854 S**
(45) **Date of Patent:** **** Jun. 11, 2019**

(54) **CONVERTIBLE CONTAINER**
(71) Applicant: **Christopher Lyons**, Fairfield, NJ (US)
(72) Inventor: **Christopher Lyons**, Fairfield, NJ (US)
(**) Term: **15 Years**

2003/0042221 A1* 3/2003 Wong B65D 1/0276
215/373
2016/0150902 A1* 6/2016 Dokhanian A47G 23/0241
220/739
2018/0312322 A1* 11/2018 Canales Kell B65D 1/04

(21) Appl. No.: **29/617,235**
(22) Filed: **Sep. 13, 2017**
(51) **LOC (11) Cl.** **07-01**
(52) **U.S. Cl.**
USPC **D7/507; D7/511; D7/523; D7/532;**
D9/503

OTHER PUBLICATIONS

https://www.amazon.com/Asobu-Frosty-Insulated-Stainless-Friendly/dp/B01JWI36N8/ref=pd_ybh_a_2?_encoding=UTF8&psc=1&refRID=6Z8JZDPF67B6Y8NWFYRF Aug. 7, 2016 Beer Bottle and Can Cooler.*

* cited by examiner

Primary Examiner — Marianne N Pandozzi
Assistant Examiner — Jae Liang

(58) **Field of Classification Search**
USPC D7/507, 509, 510, 511, 523, 570, 529,
D7/524, 537, 526, 528, 532, 393, 213,
D7/514, 515, 513, 530, 396.6;
220/592.16, 592.17; D10/118; D9/500,
D9/501, 503, 516, 517, 518, 548, 549,
D9/558, 715, 716, 719
CPC A47G 19/2205; A47G 19/2227; A47G
19/22; A45F 3/20
See application file for complete search history.

(57) **CLAIM**

The ornamental design for a convertible container, as shown and described.

DESCRIPTION

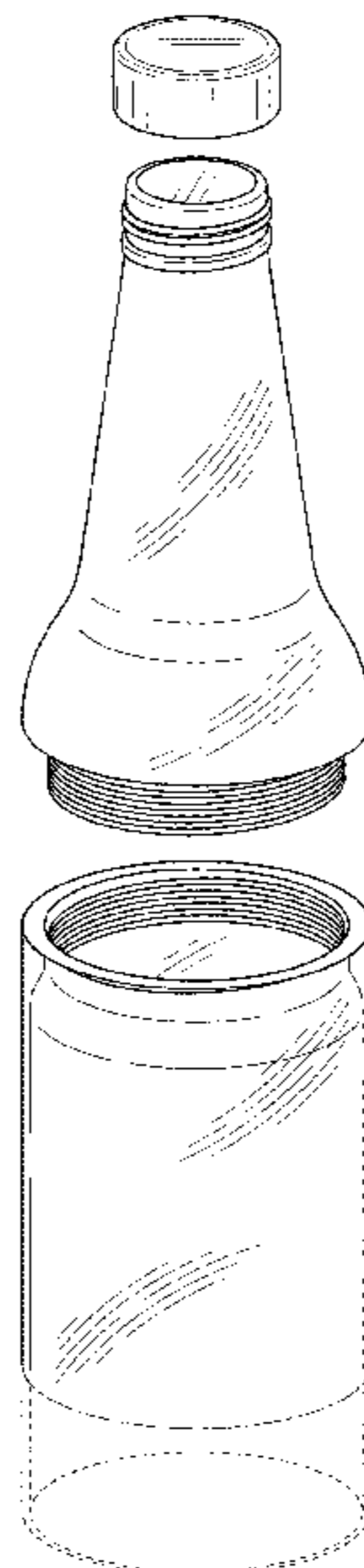
(56) **References Cited**

U.S. PATENT DOCUMENTS

3,017,049 A * 1/1962 Powell B65D 50/061
215/206
3,402,844 A * 9/1968 Chin A47G 23/0241
215/228
D617,449 S * 6/2010 Walker D24/122
D696,945 S * 1/2014 Newman D9/500
D706,634 S * 6/2014 Herman D9/500
D763,694 S * 8/2016 Herman D9/500
D799,323 S * 10/2017 Verde D9/503
D806,549 S * 1/2018 Laib D9/500
D807,178 S * 1/2018 Laib D9/500
D842,109 S * 3/2019 Marotta D9/500

FIG. 1 is a front elevational view of a convertible container showing my new design;
FIG. 2 is a left-side view thereof;
FIG. 3 is a right-side view thereof;
FIG. 4 is a front view thereof;
FIG. 5 is a rear view thereof;
FIG. 6 is a top view thereof; and,
FIG. 7 is a bottom view thereof.
The evenly-dashed broken lines in the drawings depict the portions of the design that form no part of the claim. The dot-dot-dash broken lines in the drawings define the bounds of the claim and form no part thereof.

1 Claim, 5 Drawing Sheets



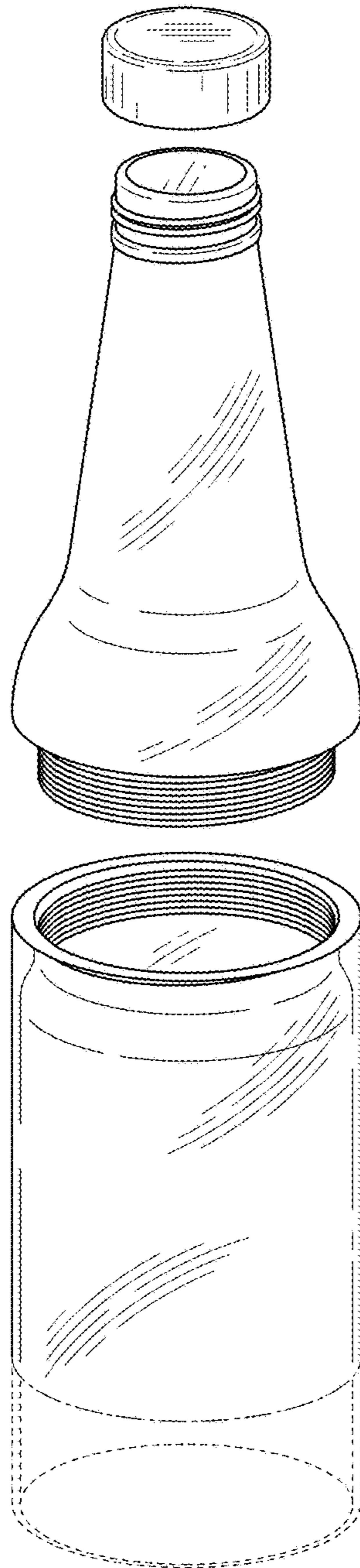


FIG. 1

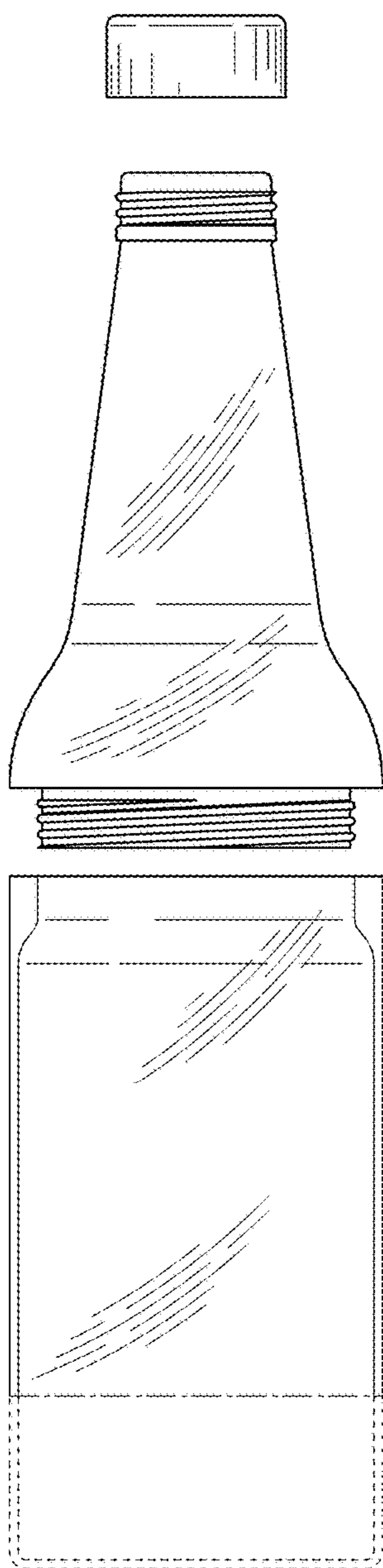


FIG. 2

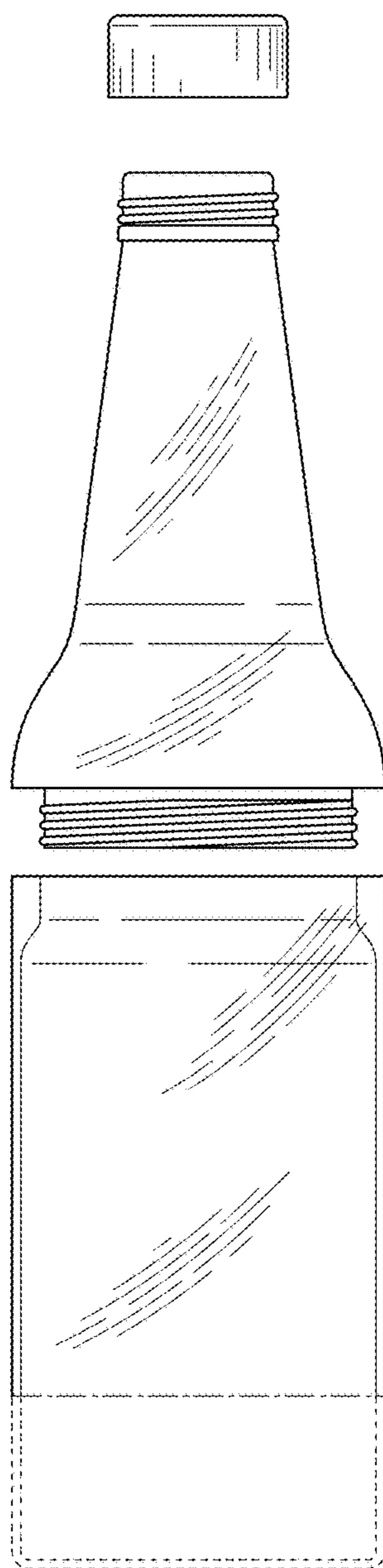


FIG. 3

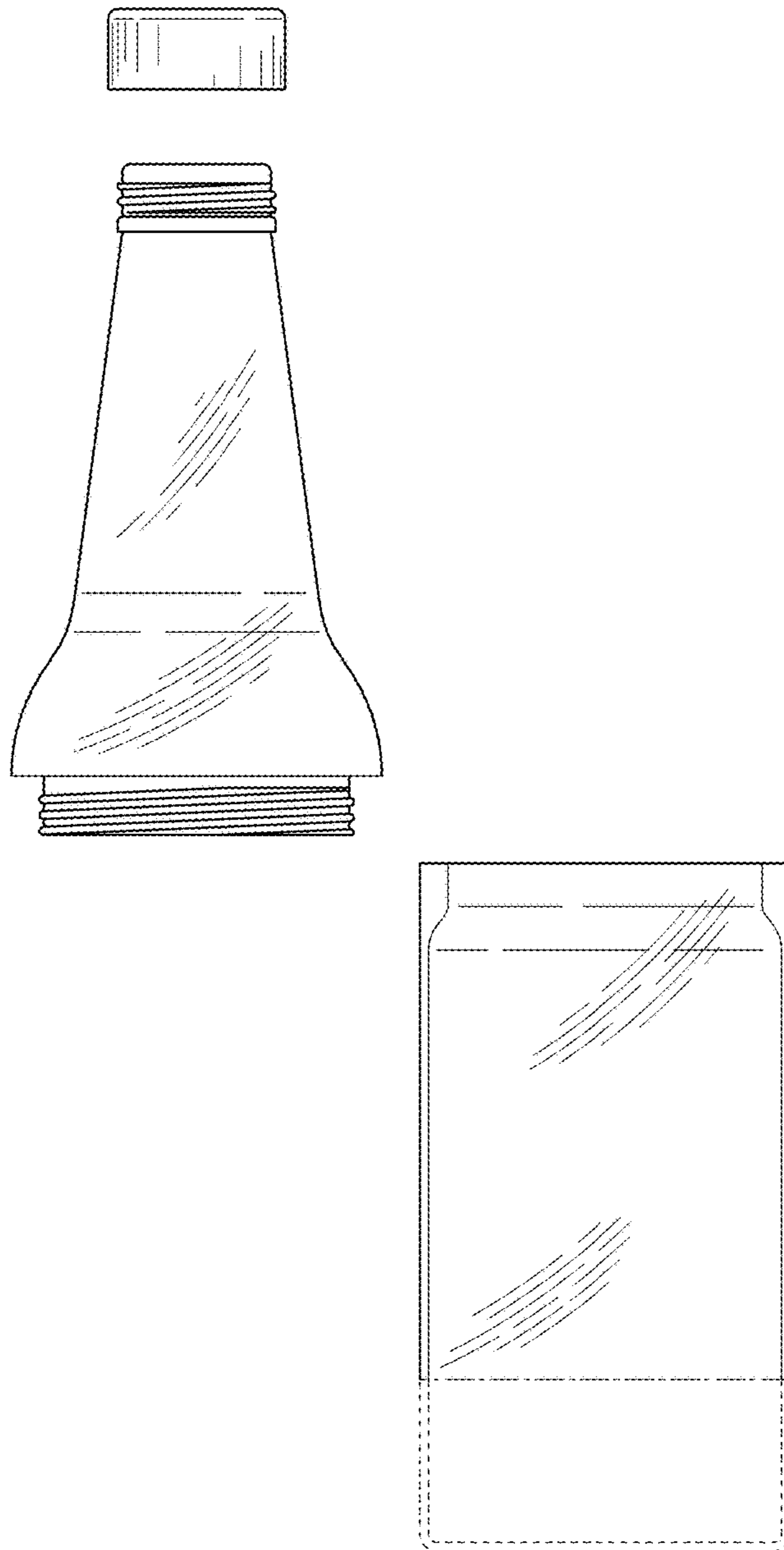


FIG. 4

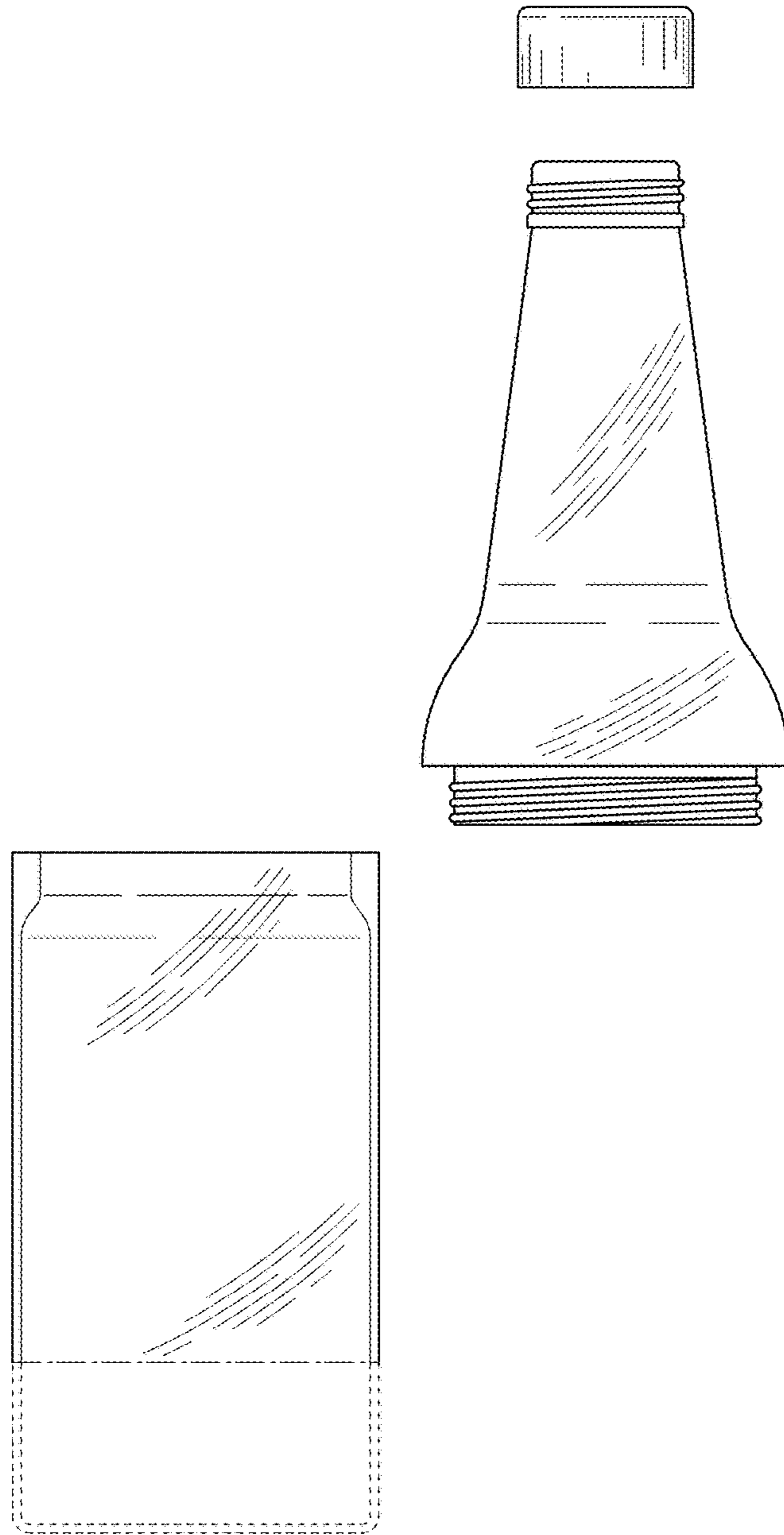


FIG. 5

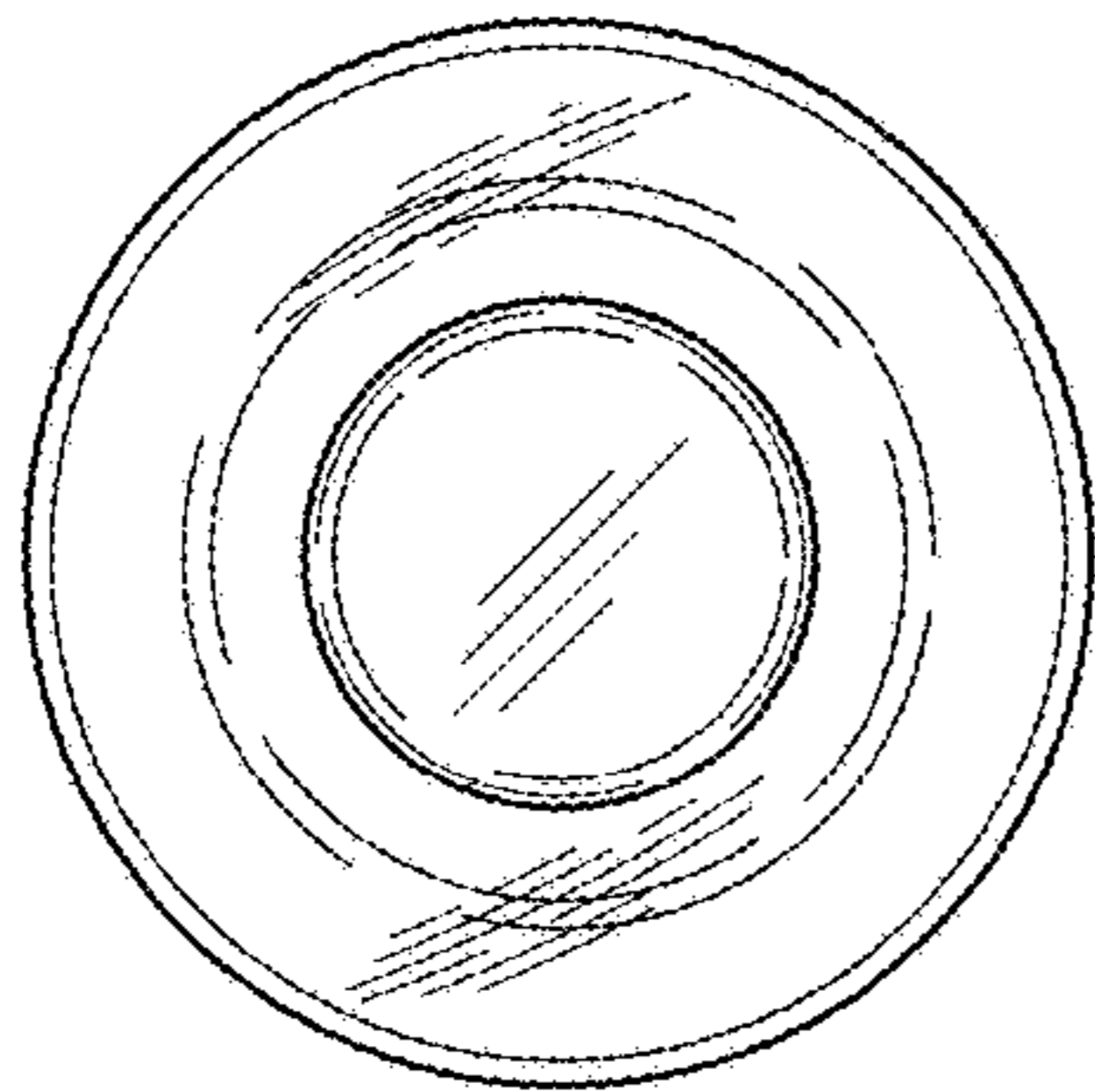
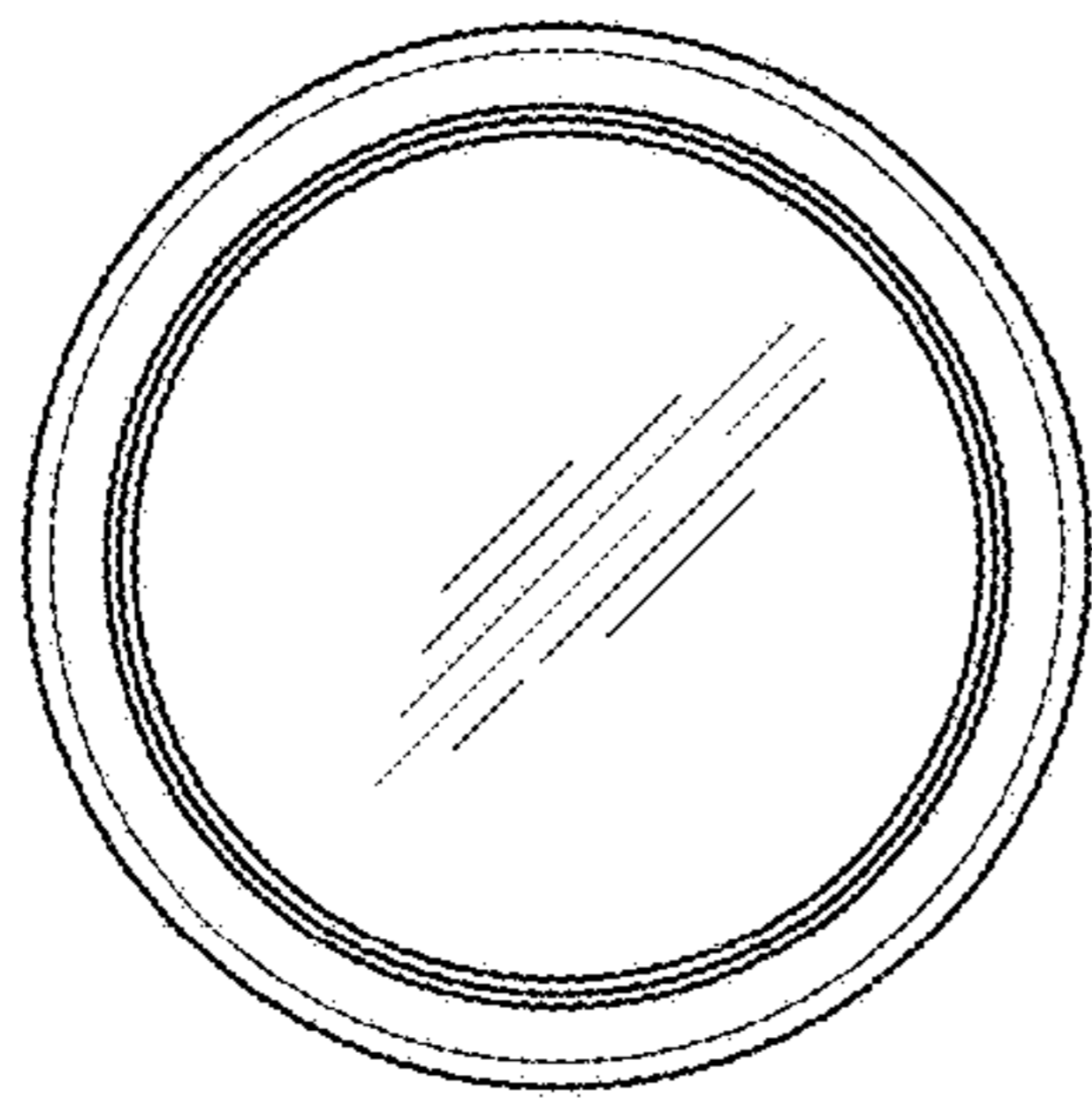


FIG. 6

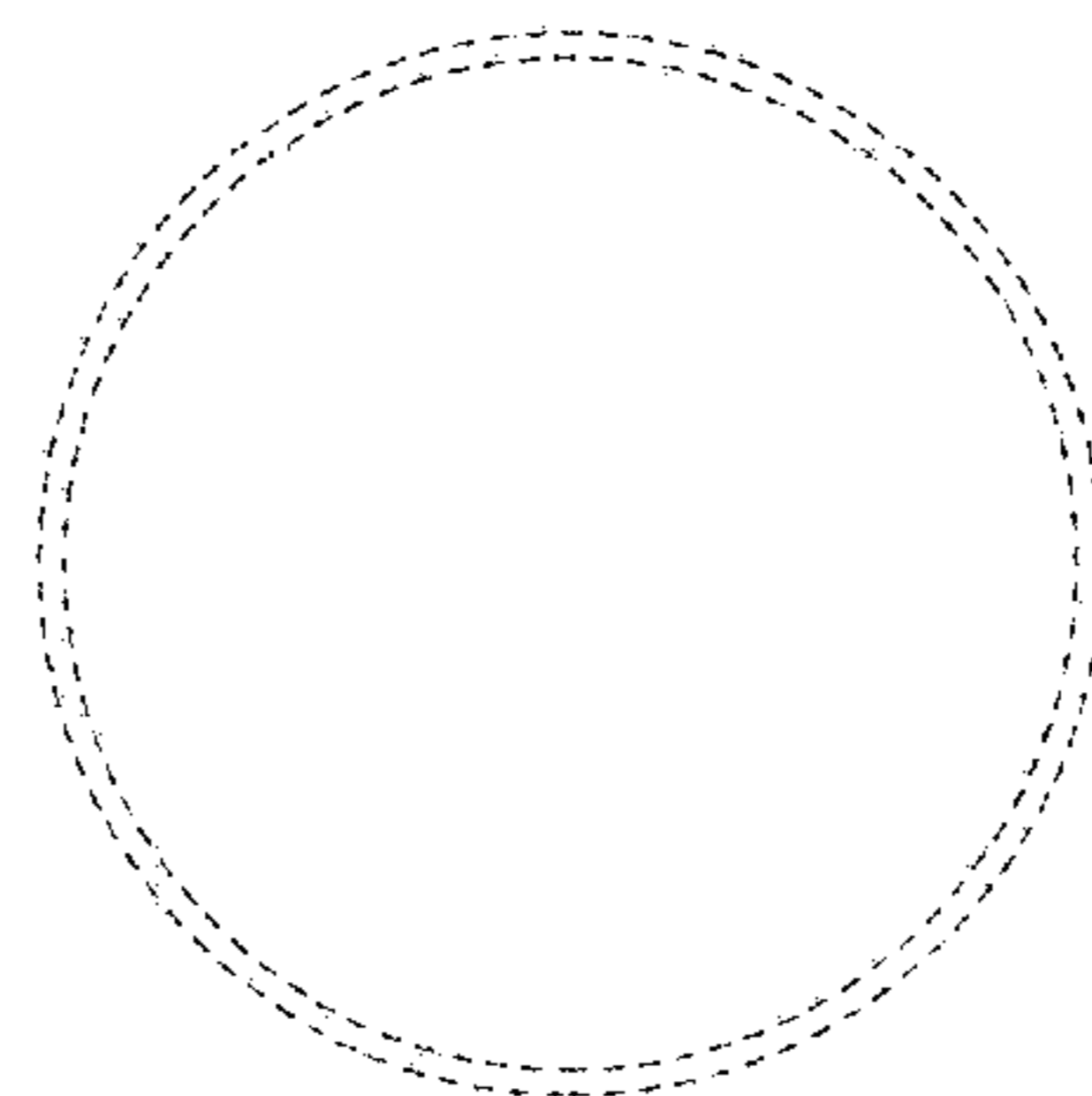
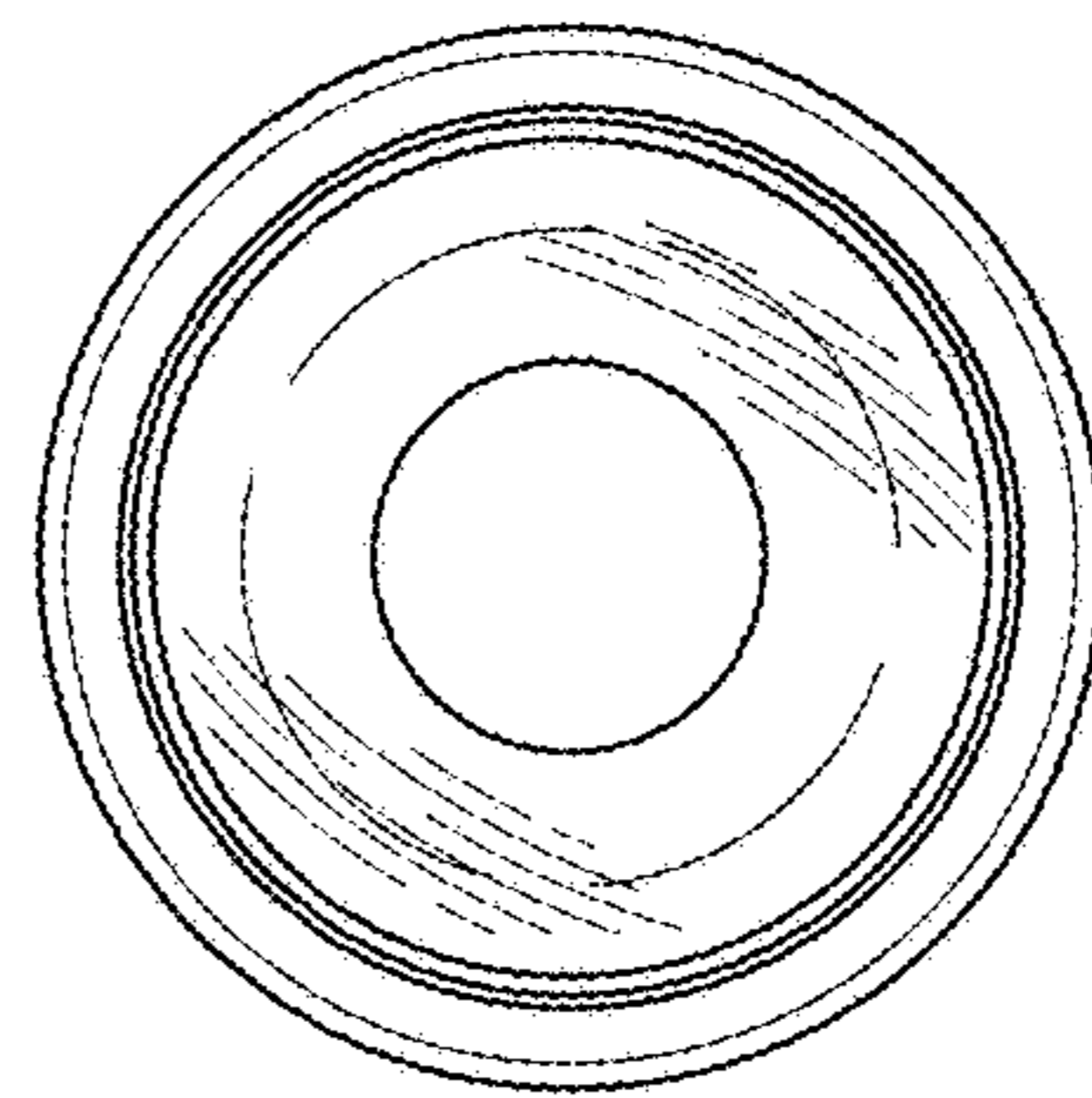


FIG. 7