



US00D850853S

(12) **United States Design Patent**
Brennan

(10) **Patent No.:** **US D850,853 S**

(45) **Date of Patent:** **** Jun. 11, 2019**

(54) **SIDE WALL PIECE FOR KAMADO FIREBOX**

(71) Applicant: **Premier Specialty Brands LLC**,
Duluth, GA (US)

(72) Inventor: **Robert A. Brennan**, Duluth, GA (US)

(73) Assignee: **PREMIER SPECIALTY BRANDS LLC**

(**) Term: **15 Years**

(21) Appl. No.: **29/588,812**

(22) Filed: **Dec. 22, 2016**

(51) **LOC (11) Cl.** **07-02**

(52) **U.S. Cl.**
USPC **D7/407**

(58) **Field of Classification Search**
USPC D7/332-337, 402-409, 417
CPC A47J 37/07-37/0781; A47J 37/0786; A47J
37/079; F24B 1/202; F24B 1/205; F24B
1/207; F24C 1/16; F24C 3/14; A23B
4/044; A23B 4/048; A23B 4/052; A23B
4/0523; A23B 4/0526; A23B 4/056
See application file for complete search history.

(56) **References Cited**

U.S. PATENT DOCUMENTS

- 4,877,010 A * 10/1989 Hait F24C 1/16
126/39 M
- 5,024,208 A 6/1991 Hottenroth
- D422,452 S * 4/2000 Persson D7/332
- D466,369 S * 12/2002 Alden A47J 37/0786
D7/409
- D615,354 S * 5/2010 Garpelin D7/402
- 8,899,222 B2 * 12/2014 DeFoort F24C 1/16
126/2
- D786,013 S * 5/2017 Rogers D7/402
- D802,995 S * 11/2017 Rogers D7/402

- 2008/0173298 A1 * 7/2008 Hsu F24C 3/14
126/39 E
- 2010/0095946 A1 * 4/2010 Creel F24B 1/192
126/25 R
- 2016/0174766 A1 6/2016 Schlosser
- 2016/0309662 A1 * 10/2016 Green A47J 37/0763
- 2018/0180286 A1 * 6/2018 Brennan F23L 1/02

FOREIGN PATENT DOCUMENTS

- DE 102013010377 A1 6/2014
- DE 102014220789 A1 8/2016

OTHER PUBLICATIONS

Office Action from German Patent and Trademark Office, dated Aug. 1, 2018.

* cited by examiner

Primary Examiner — Brett Miller

(74) *Attorney, Agent, or Firm* — Miller & Martin PLLC

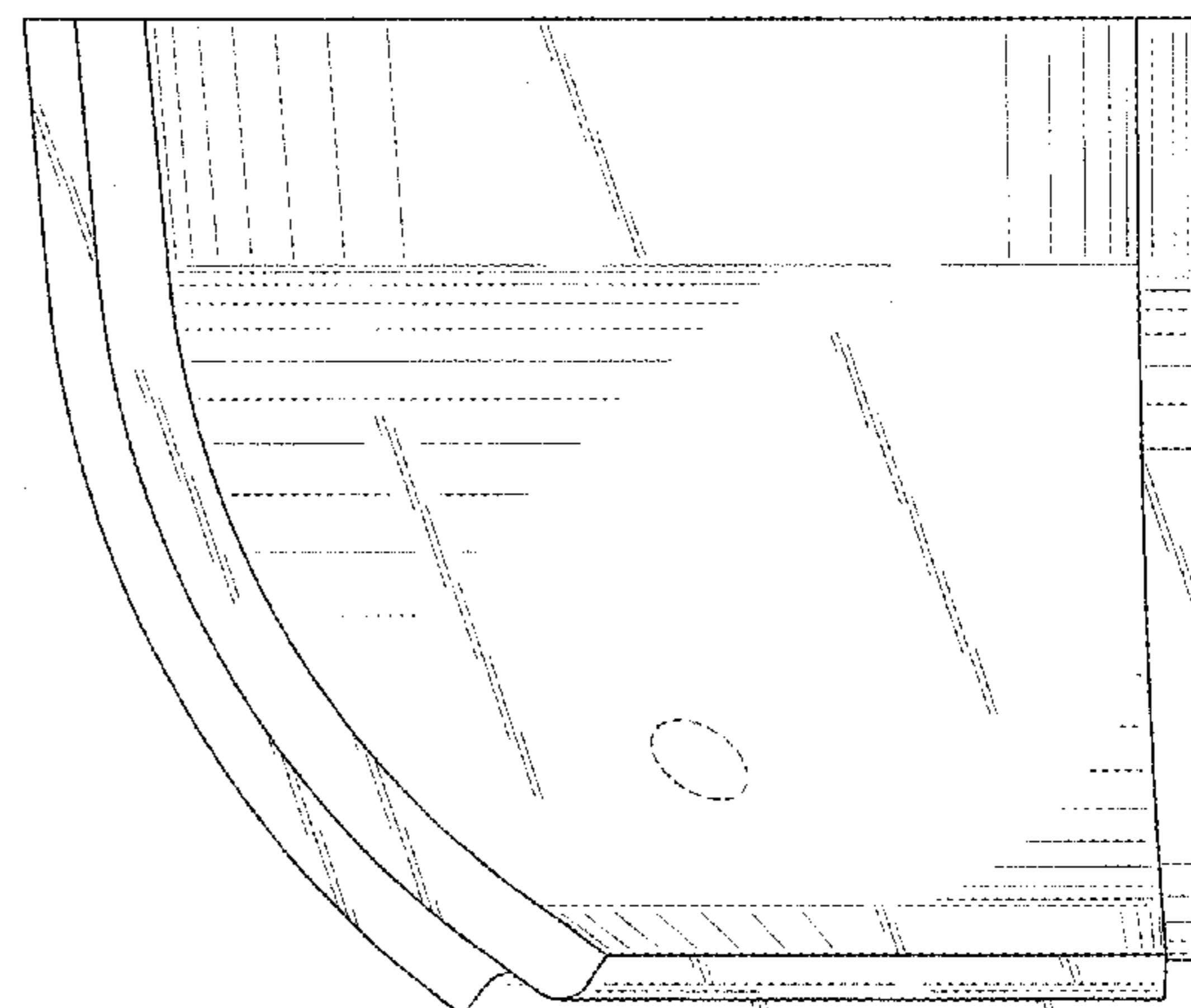
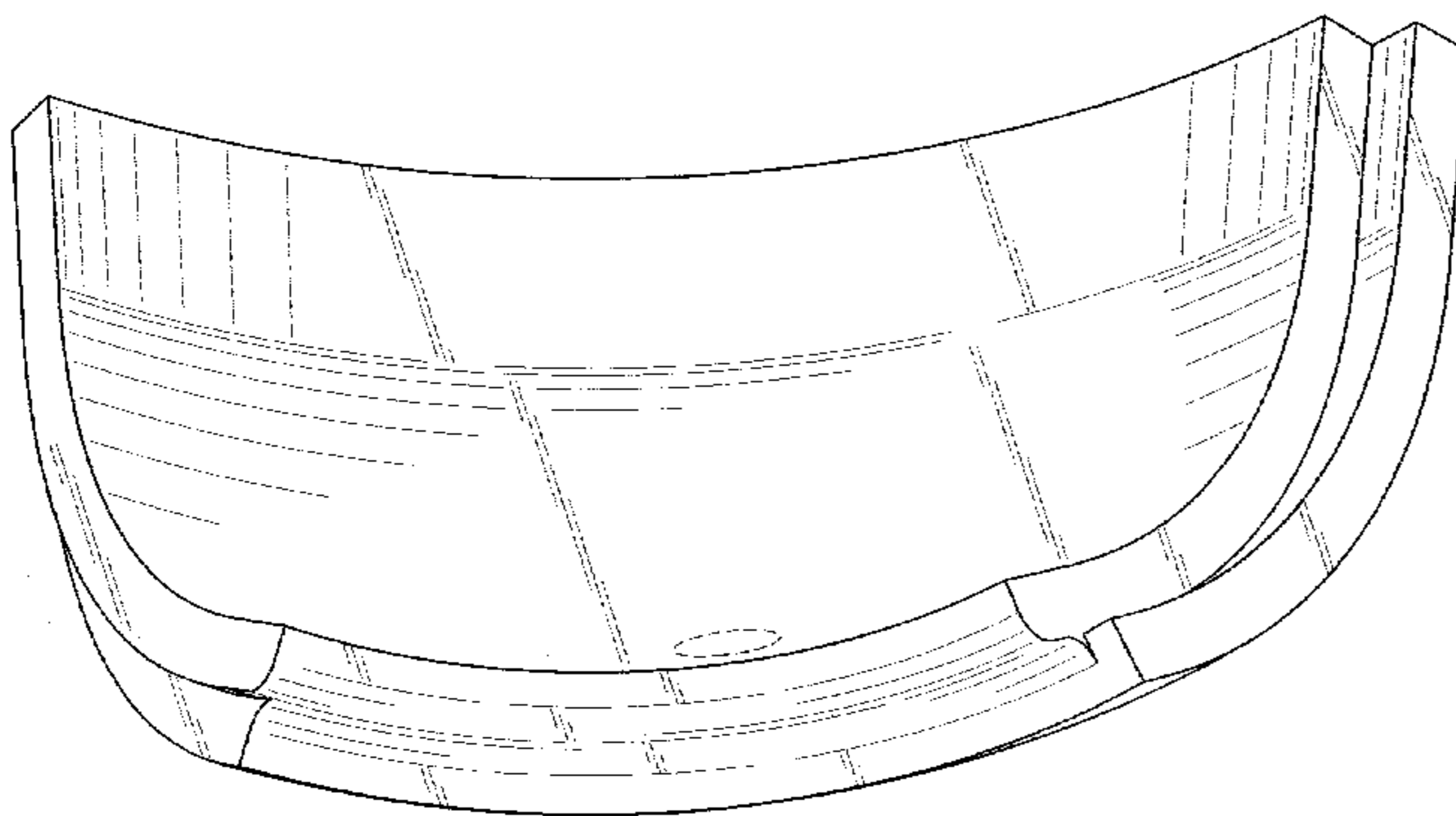
(57) **CLAIM**

The ornamental design for a side wall piece for kamado firebox, as shown and described.

DESCRIPTION

FIG. 1 is an isometric view of the side wall piece for kamado firebox;
 FIG. 2 is a front view thereof;
 FIG. 3 is a rear view thereof;
 FIG. 4 is a top view thereof;
 FIG. 5 is a bottom view thereof;
 FIG. 6 is a right side view thereof; and,
 FIG. 7 is a left side view thereof.
 The dashed broken lines in the drawings depict environmental subject matter only and form no part of the claimed design.

1 Claim, 7 Drawing Sheets



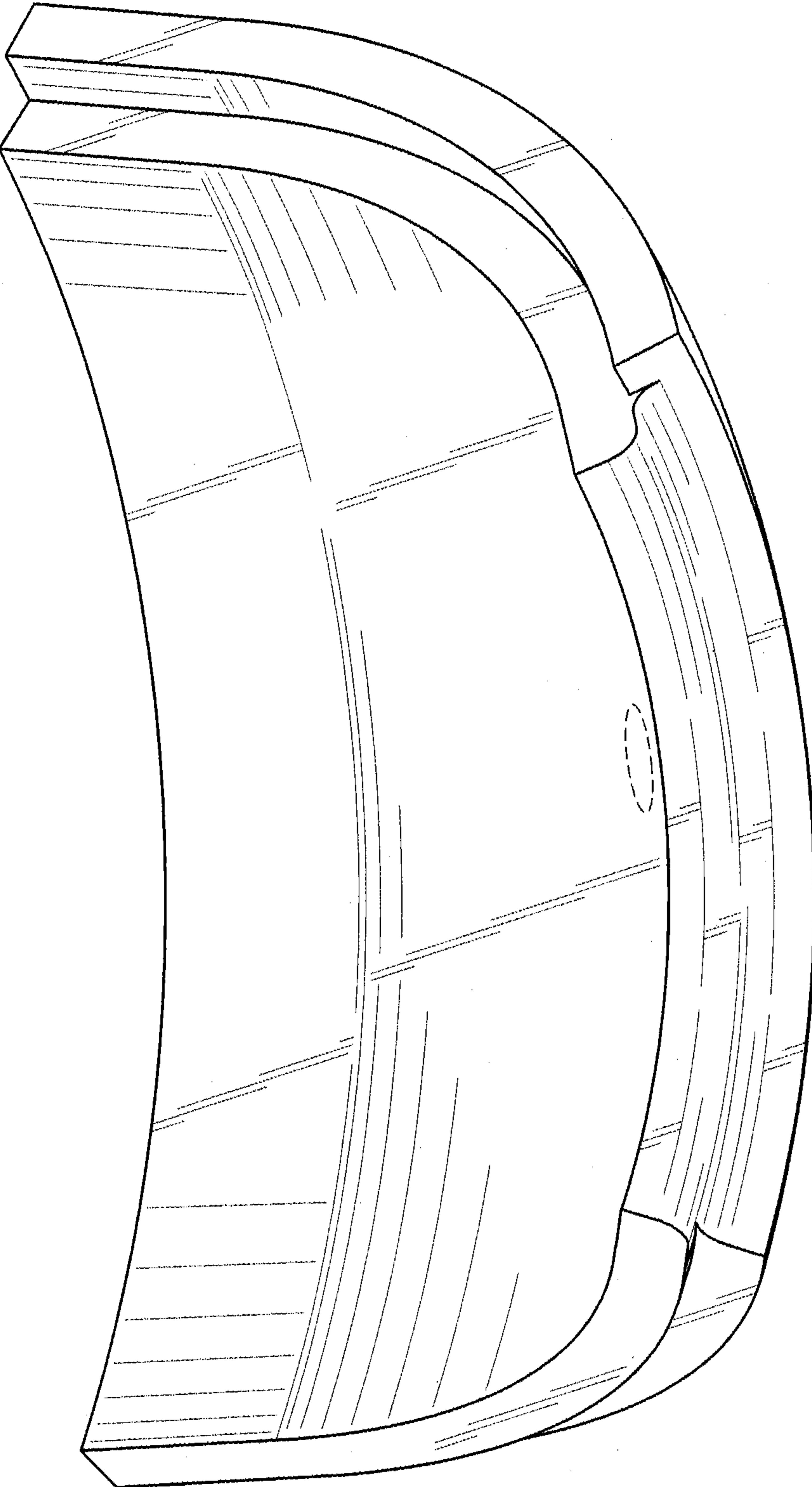


FIG. 1

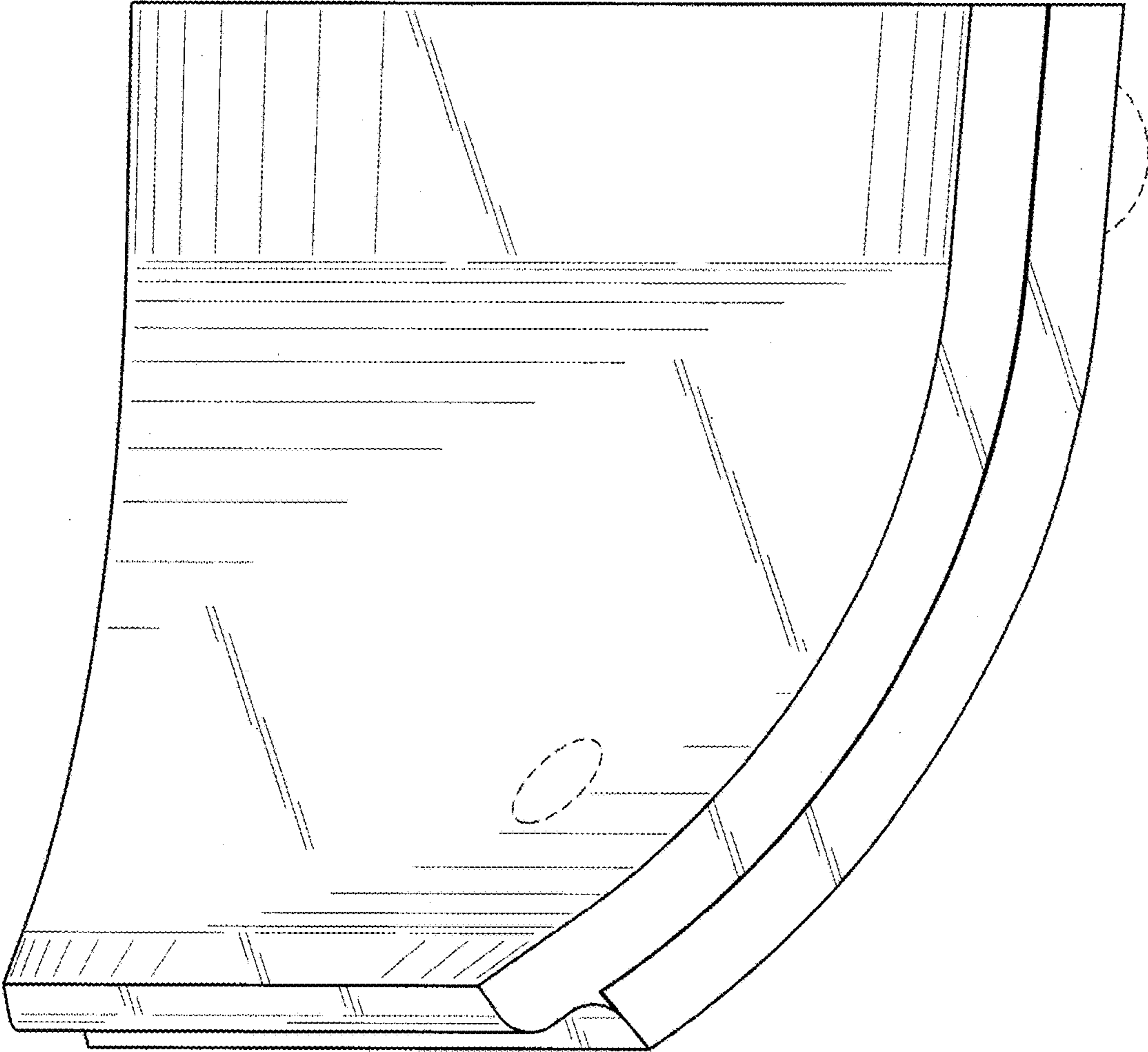


FIG. 2

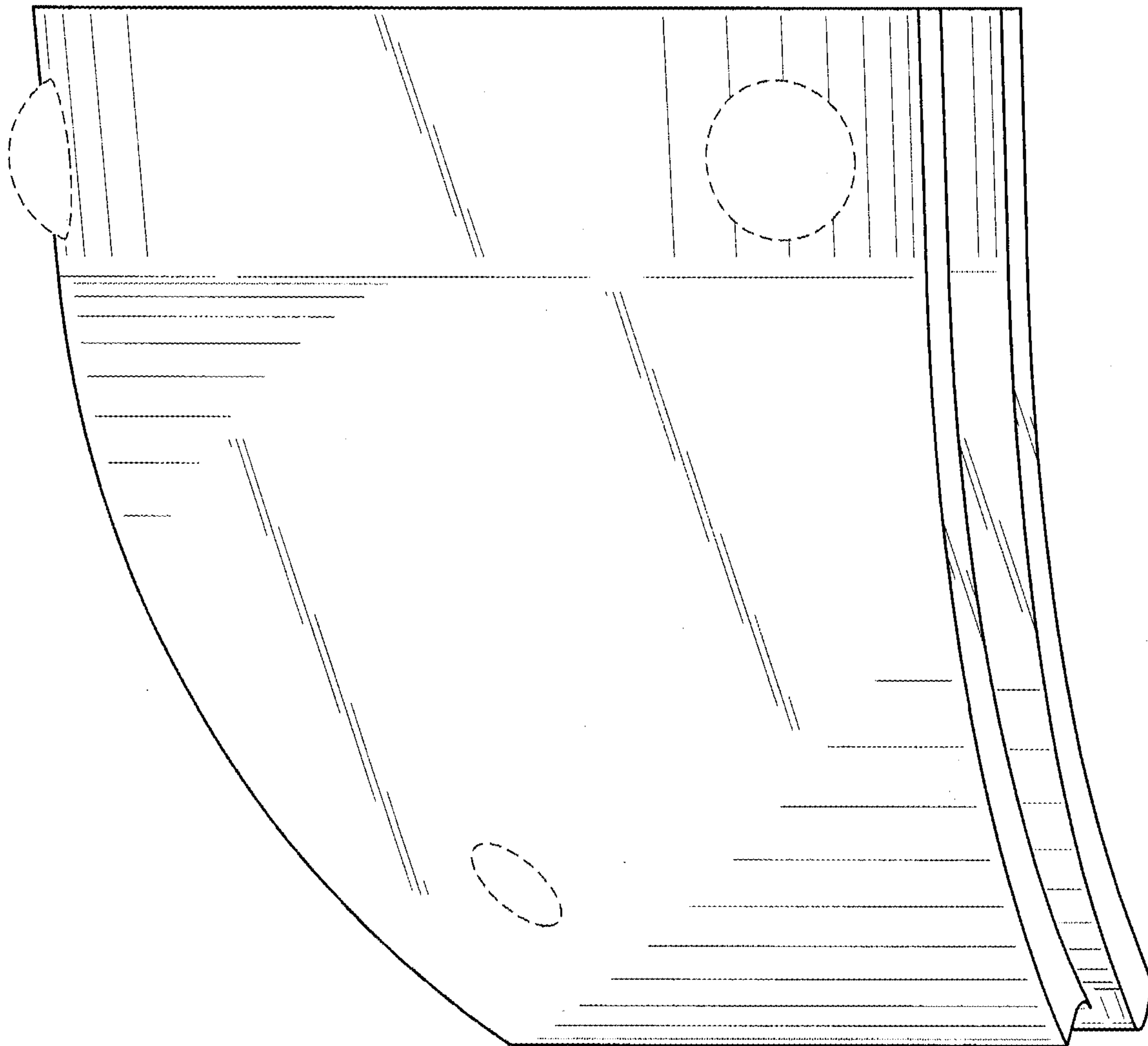


FIG. 3

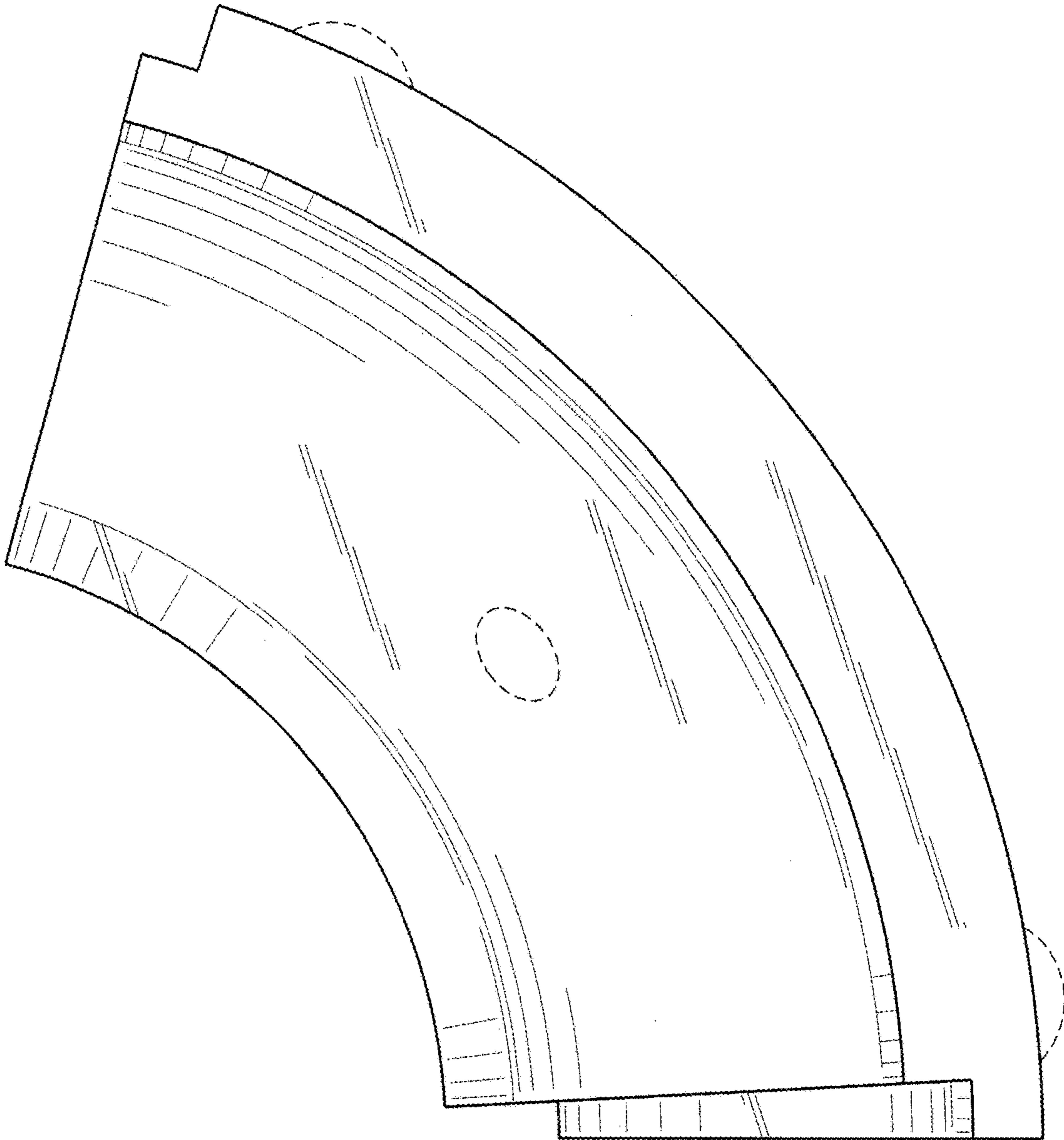


FIG. 4

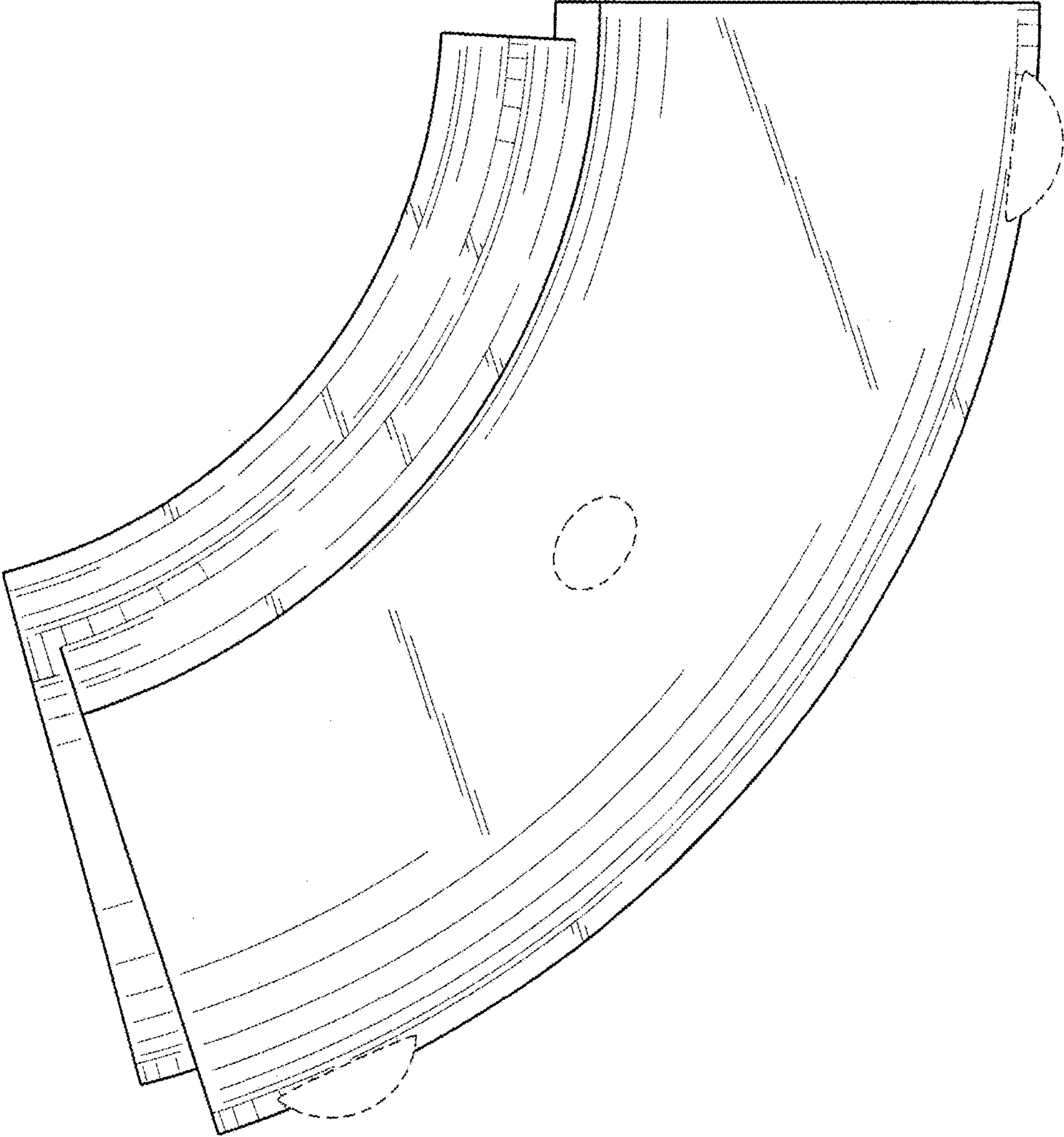


FIG. 5

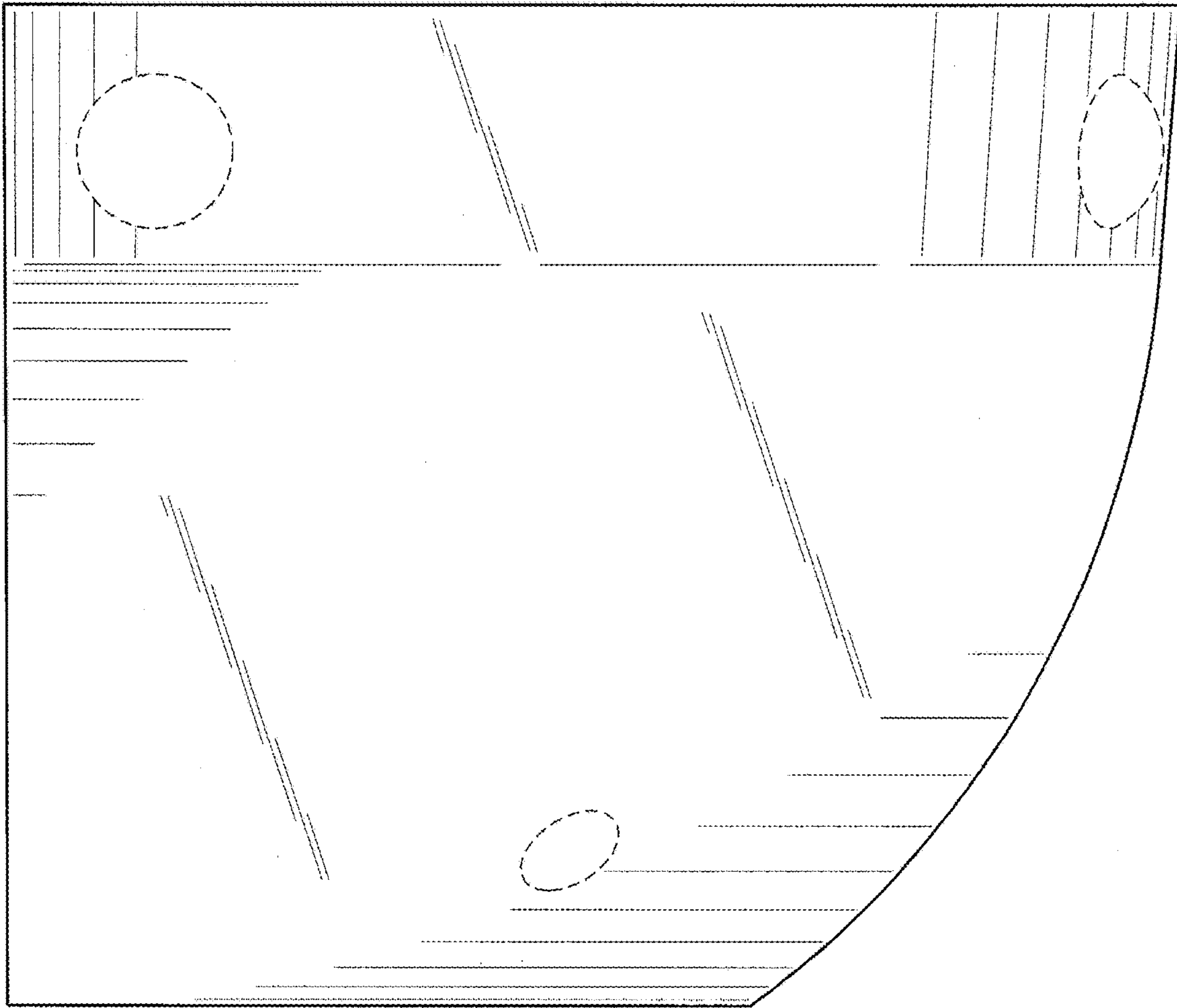


FIG. 6

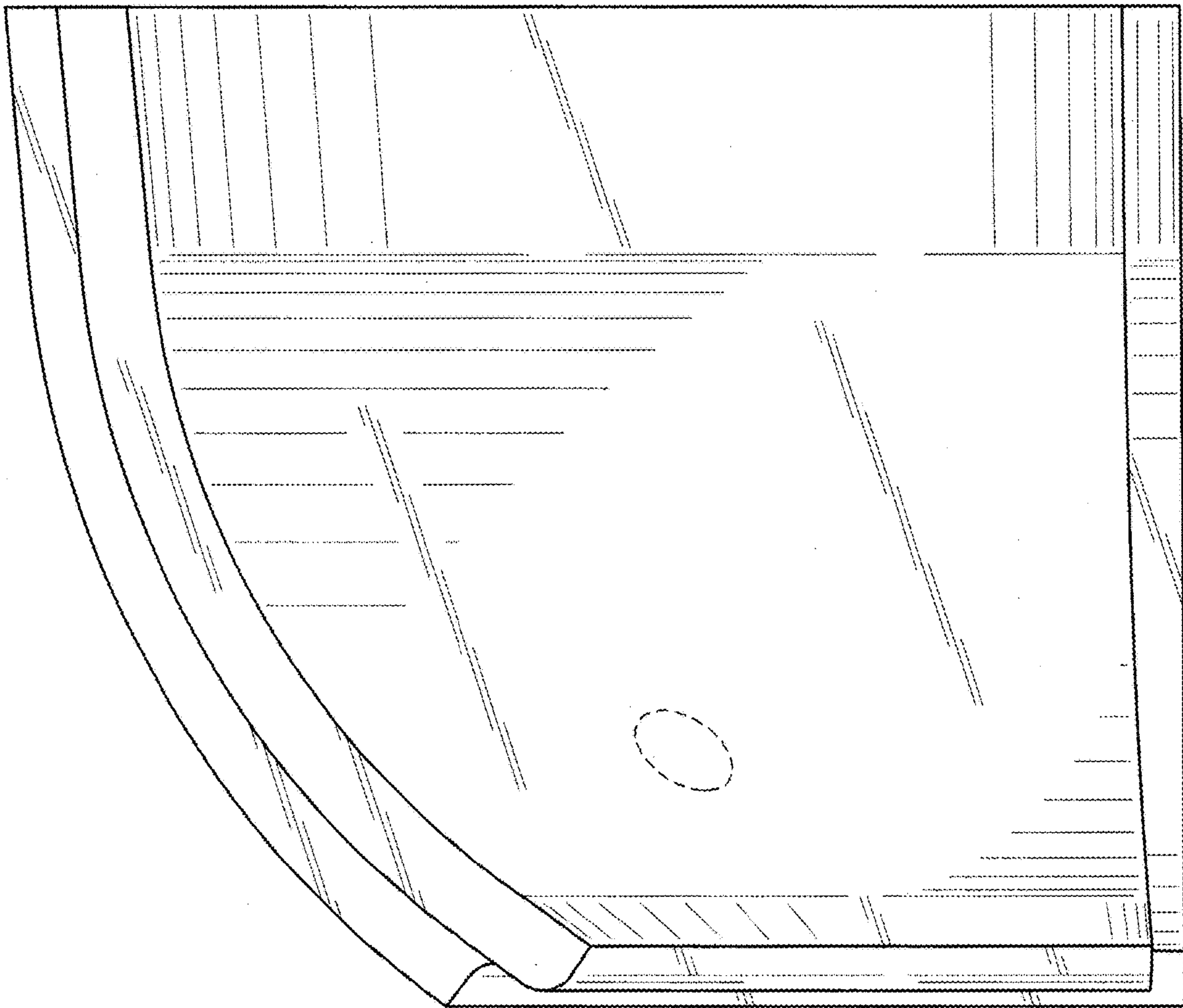


FIG. 7