



US00D850852S

(12) **United States Design Patent**
Jeon et al.

(10) **Patent No.:** **US D850,852 S**
(45) **Date of Patent:** **** Jun. 11, 2019**

(54) **INDUCTION COOKER**

(71) Applicant: **SAMSUNG ELECTRONICS CO., LTD.**, Suwon-si, Gyeonggi-do (KR)

(72) Inventors: **Jongsu Jeon**, Seongnam-si (KR);
Yoonjoo Kwon, Seoul (KR)

(73) Assignee: **SAMSUNG ELECTRONICS CO., LTD.**, Gyeonggi-Do (KR)

(**) Term: **15 Years**

(21) Appl. No.: **29/602,600**

(22) Filed: **May 2, 2017**

(30) **Foreign Application Priority Data**

Nov. 3, 2016 (KR) 30-2016-0052883

(51) **LOC (11) Cl.** **07-02**

(52) **U.S. Cl.**
USPC **D7/402**

(58) **Field of Classification Search**
USPC D7/402-409, 332, 337, 339-341,
D7/346-349, 350.1-351, 362-363, 323,
(Continued)

(56) **References Cited**

U.S. PATENT DOCUMENTS

D85,696 S * 12/1931 Hoffstetter et al. D7/402
D331,350 S * 12/1992 Hing D7/324
(Continued)

FOREIGN PATENT DOCUMENTS

EM 000992102-0001 8/2008
JP D1118268 S 8/2001
(Continued)

OTHER PUBLICATIONS

Dacor Renaissance induction cooktops. Applianceist [online]. pp. 1-5 [retrieved on May 2, 2017]. Retrieved from the Internet: <URL: http://www.applianceist.com/cooktops/dacor-renaissance-induction-cooktops.html.

Primary Examiner — Sheryl Lane

Assistant Examiner — Nicole C Shiflet

(74) *Attorney, Agent, or Firm* — Cantor Colburn LLP

(57) **CLAIM**

The ornamental design for an induction cooker, as shown and described.

DESCRIPTION

FIG. 1 is a perspective view of an induction cooker, showing our new design;

FIG. 2 is a front view thereof;

FIG. 3 is a rear view thereof;

FIG. 4 is a left side view thereof;

FIG. 5 is a right side view thereof;

FIG. 6 is a top view thereof;

FIG. 7 is a bottom view thereof;

FIG. 8 is a perspective view thereof in an alternate configuration;

FIG. 9 is a front view thereof in the alternate configuration;

FIG. 10 is a rear view thereof in the alternate configuration;

FIG. 11 is a left side view thereof in the alternate configuration;

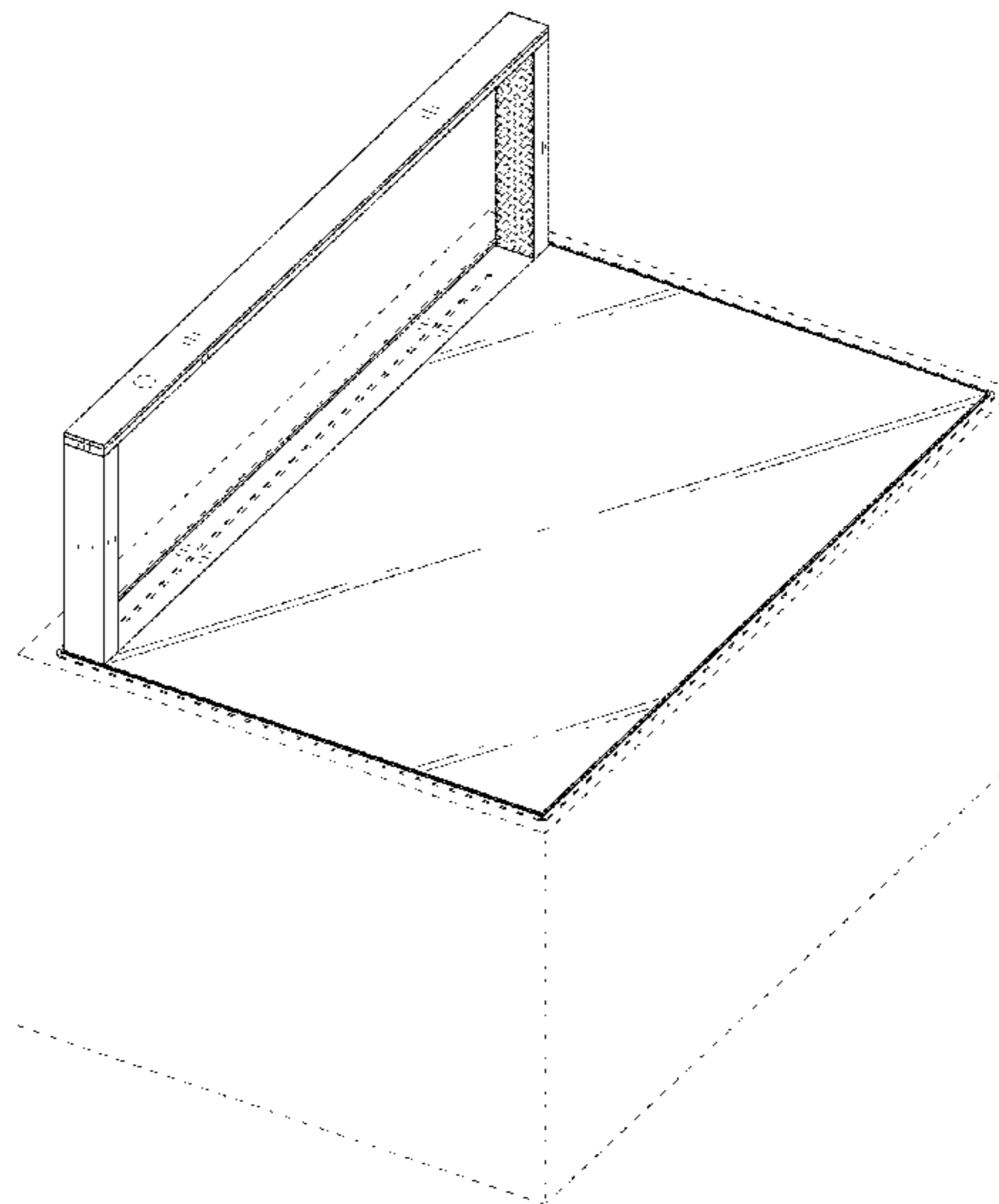
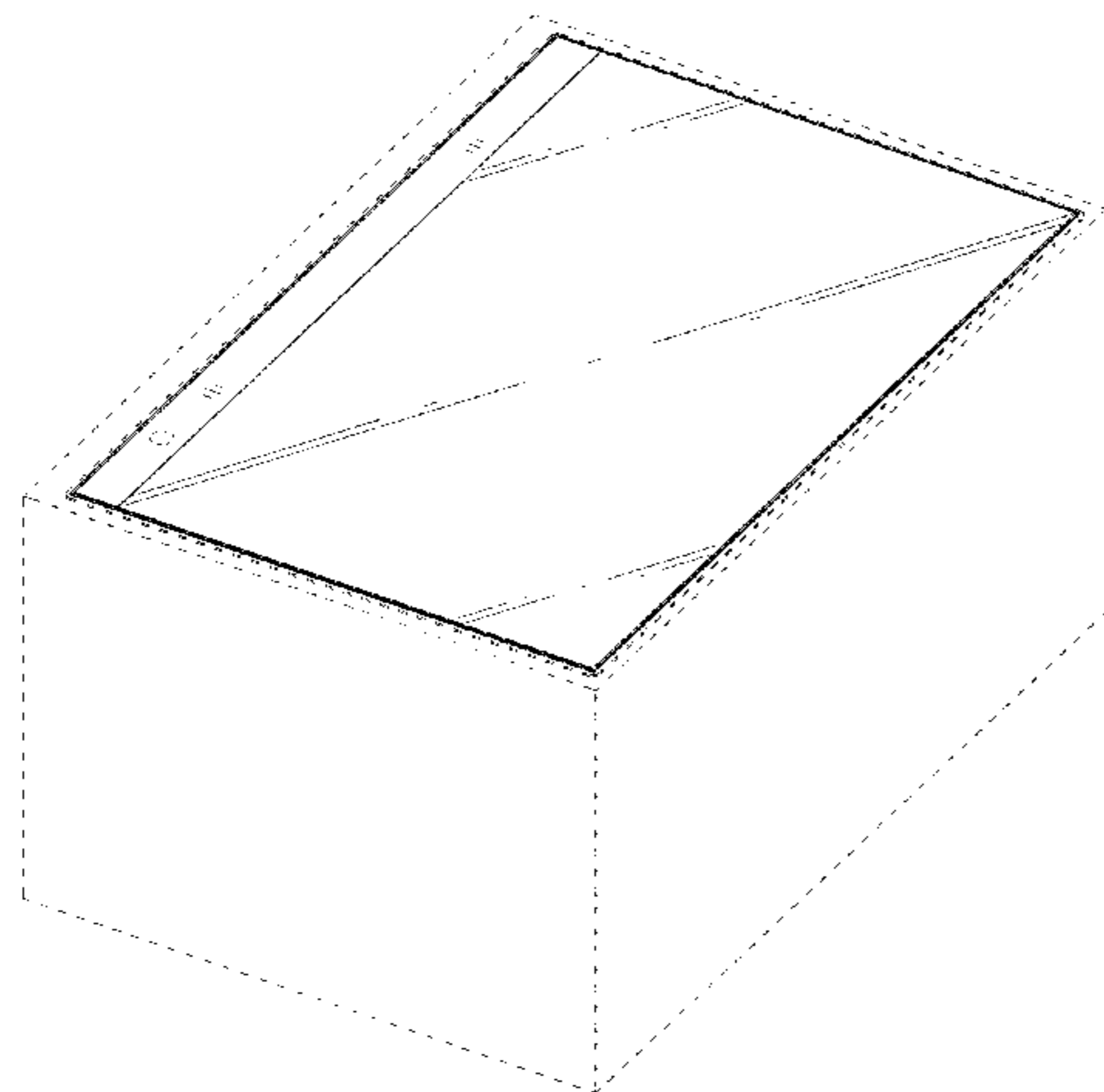
FIG. 12 is a right side view thereof in the alternate configuration;

FIG. 13 is a top view thereof in the alternate configuration; and,

FIG. 14 is a bottom view thereof in the alternate configuration.

The broken lines illustrating portions of the induction cooker form no part of the claimed design.

1 Claim, 14 Drawing Sheets



(58) **Field of Classification Search**

USPC D7/550.1, 552.1, 554.3, 554.4; D8/315,
D8/300

CPC A47J 37/0786; F24C 15/16; F24C 3/082;
F24C 3/085; F24C 7/083

See application file for complete search history.

(56) **References Cited**

U.S. PATENT DOCUMENTS

D704,980	S	*	5/2014	Nordwall	D7/346
D754,465	S	*	4/2016	Kim	D7/346
D778,110	S	*	2/2017	Lee	D7/406
D787,256	S	*	5/2017	Cho	D7/339
D798,648	S	*	10/2017	Chavez	D7/340
D817,066	S	*	5/2018	Shoemaker	D7/339
D817,704	S	*	5/2018	Kim	D7/402
D817,707	S	*	5/2018	Kim	D7/407

FOREIGN PATENT DOCUMENTS

KR	300342750	S	2/2004
KR	300777512	S	12/2014

* cited by examiner

FIG. 1

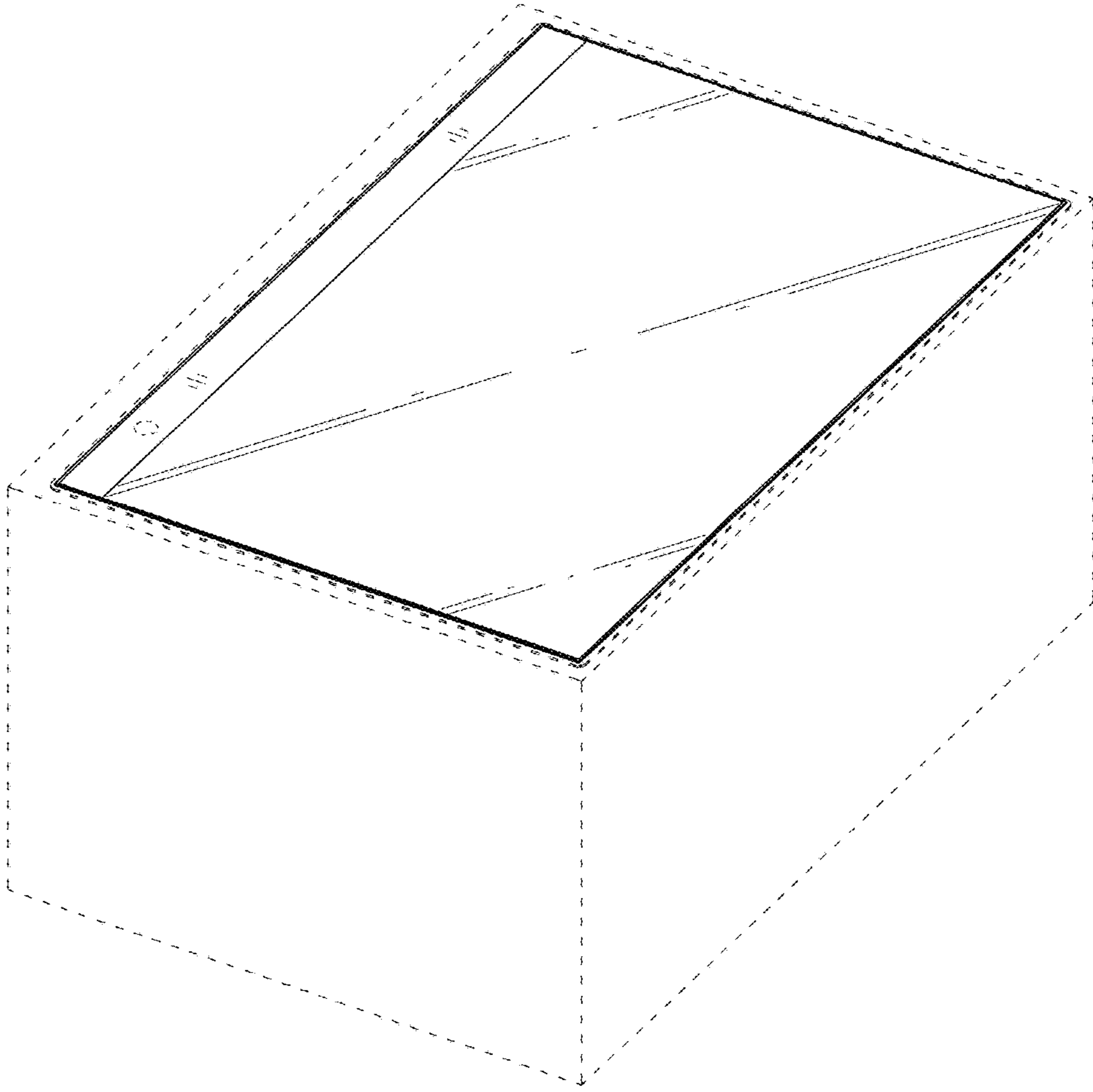


FIG. 2



FIG. 3



FIG. 4



FIG. 5



FIG. 6

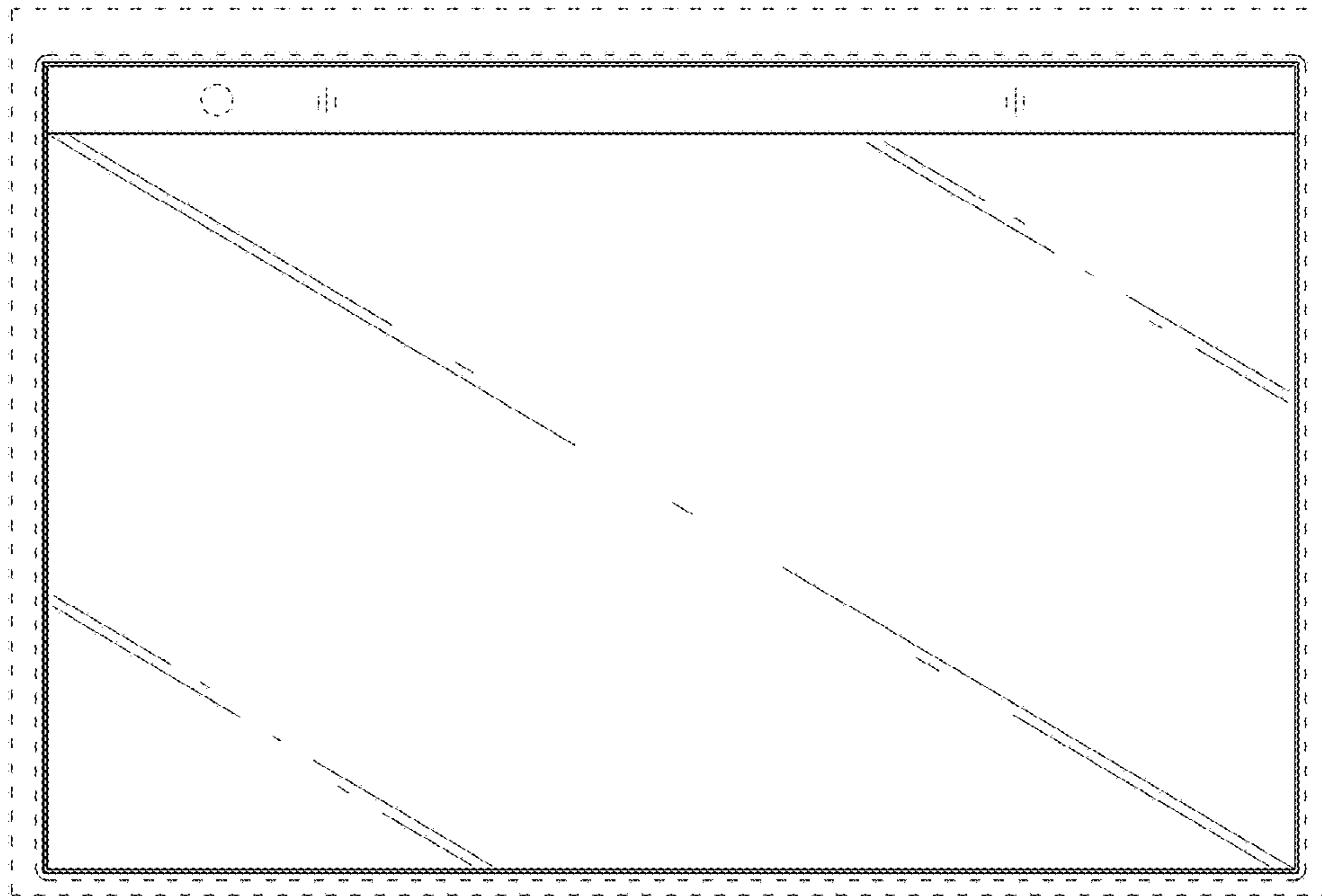


FIG. 7

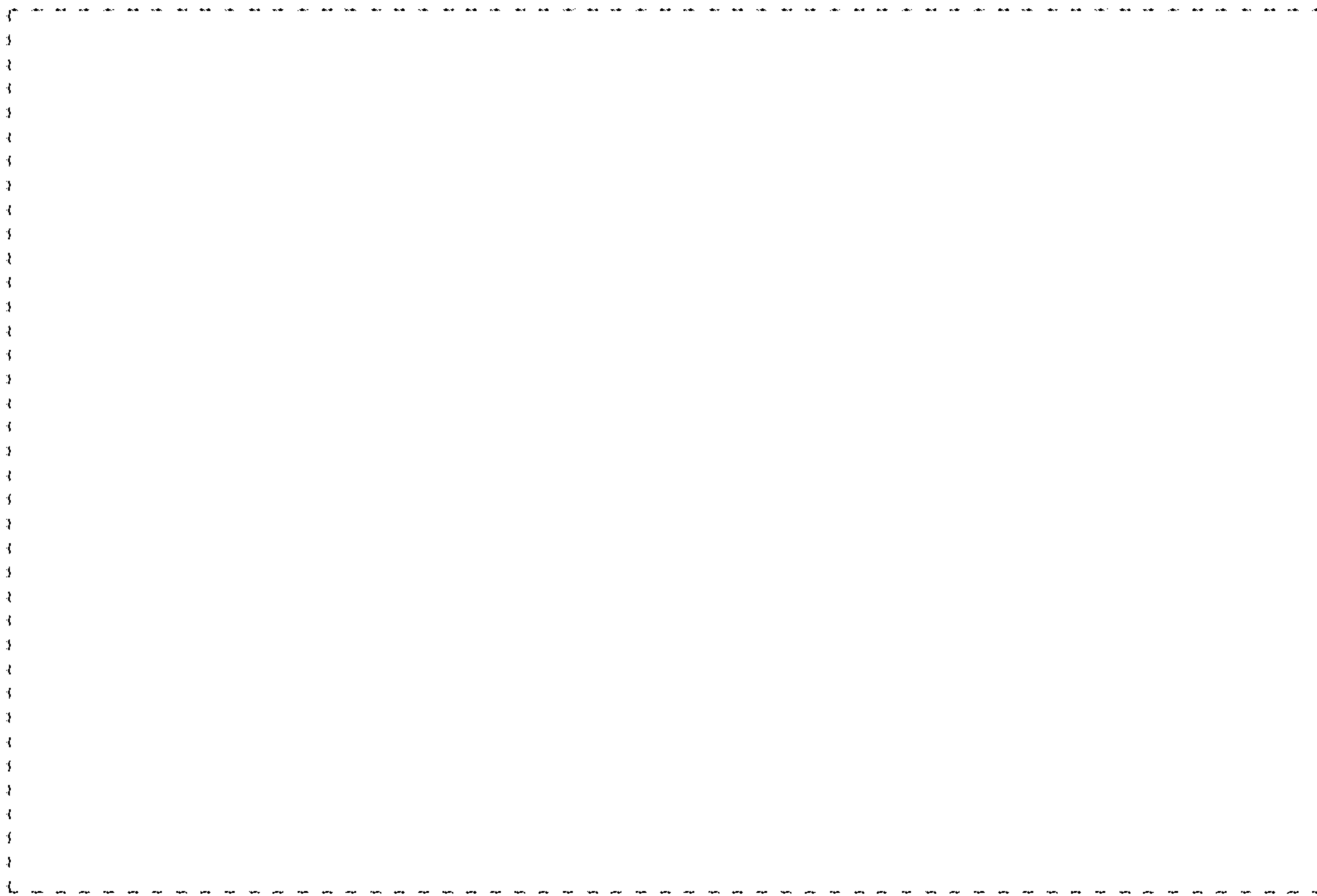


FIG. 8

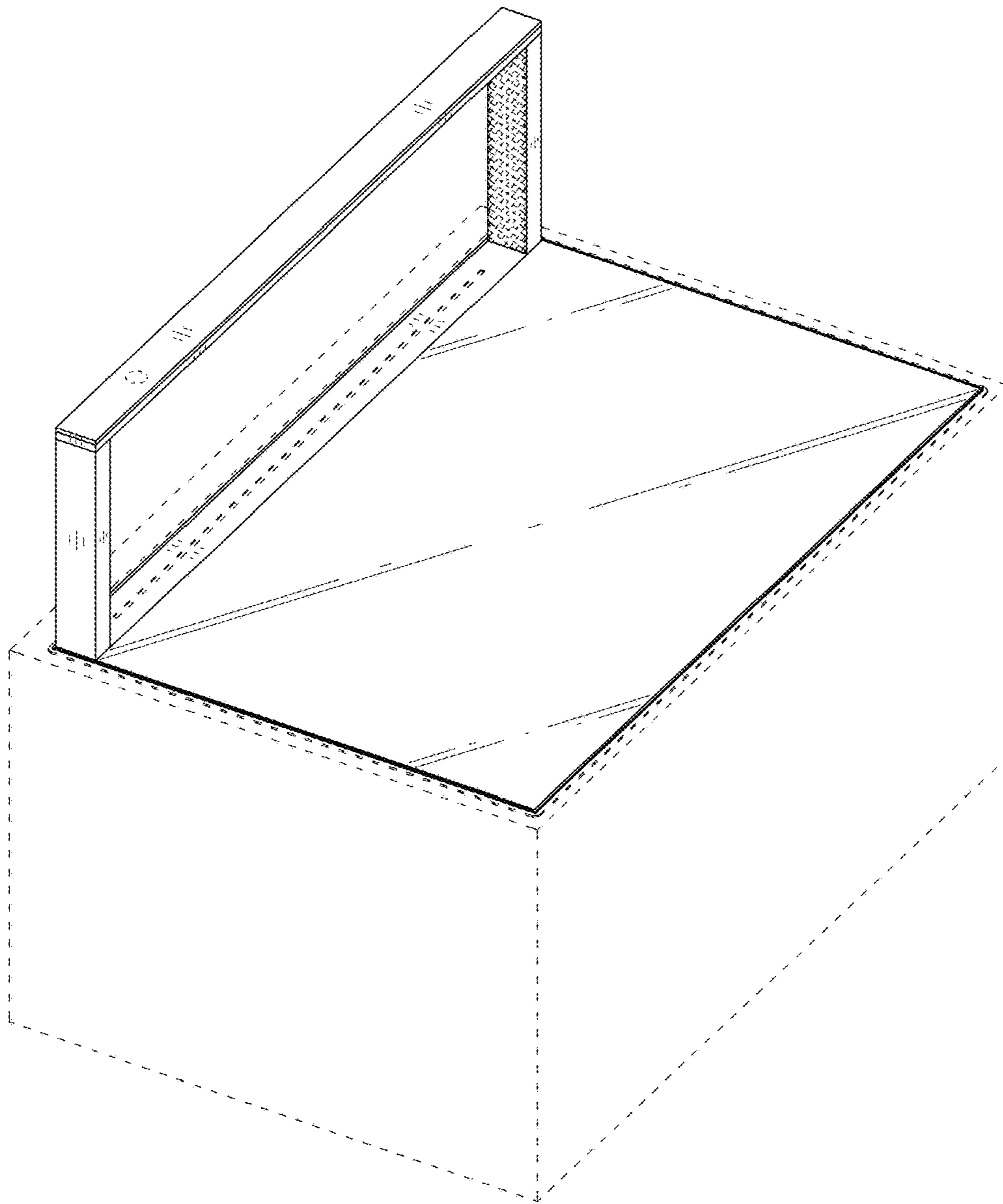


FIG. 9

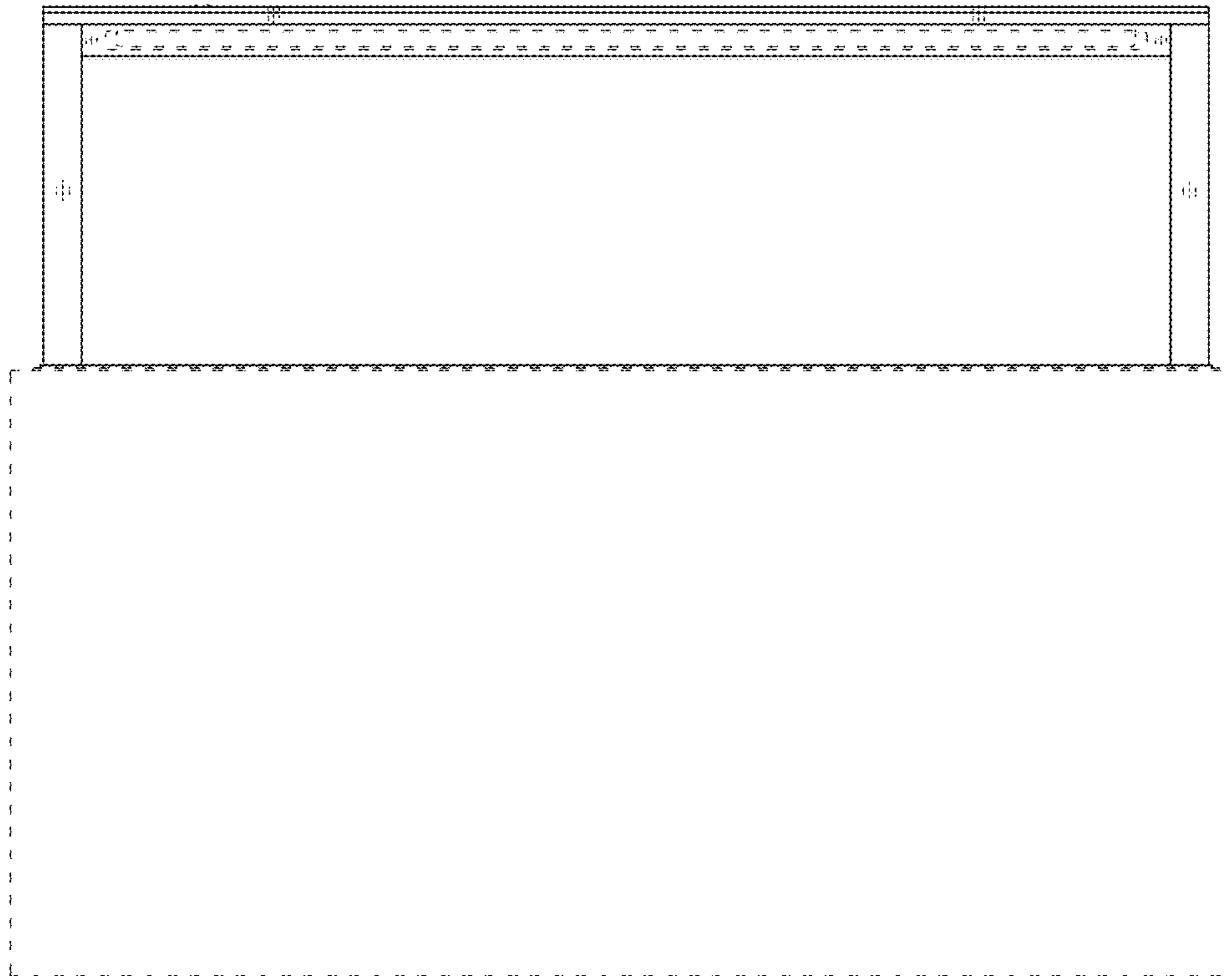


FIG. 10

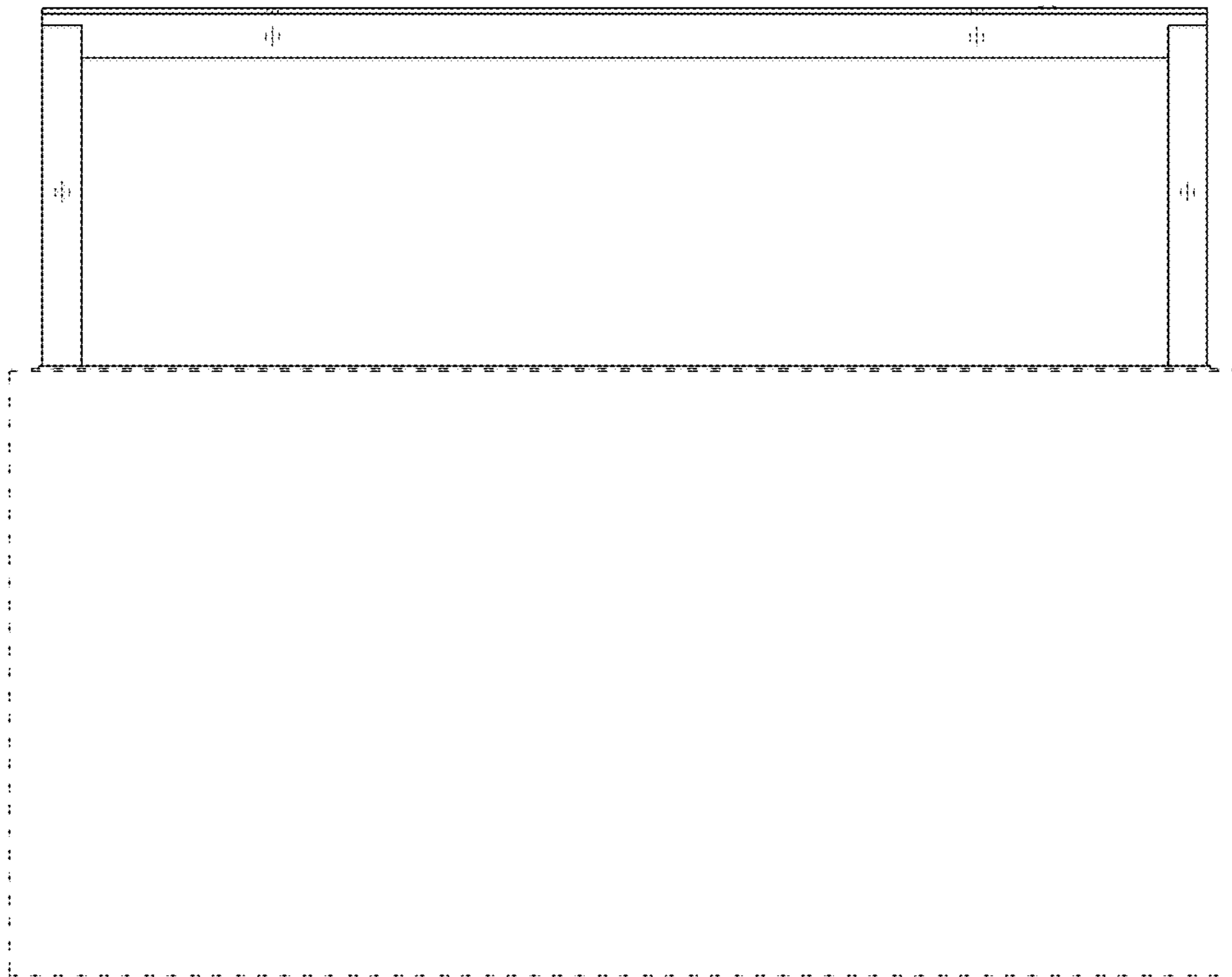


FIG. 11

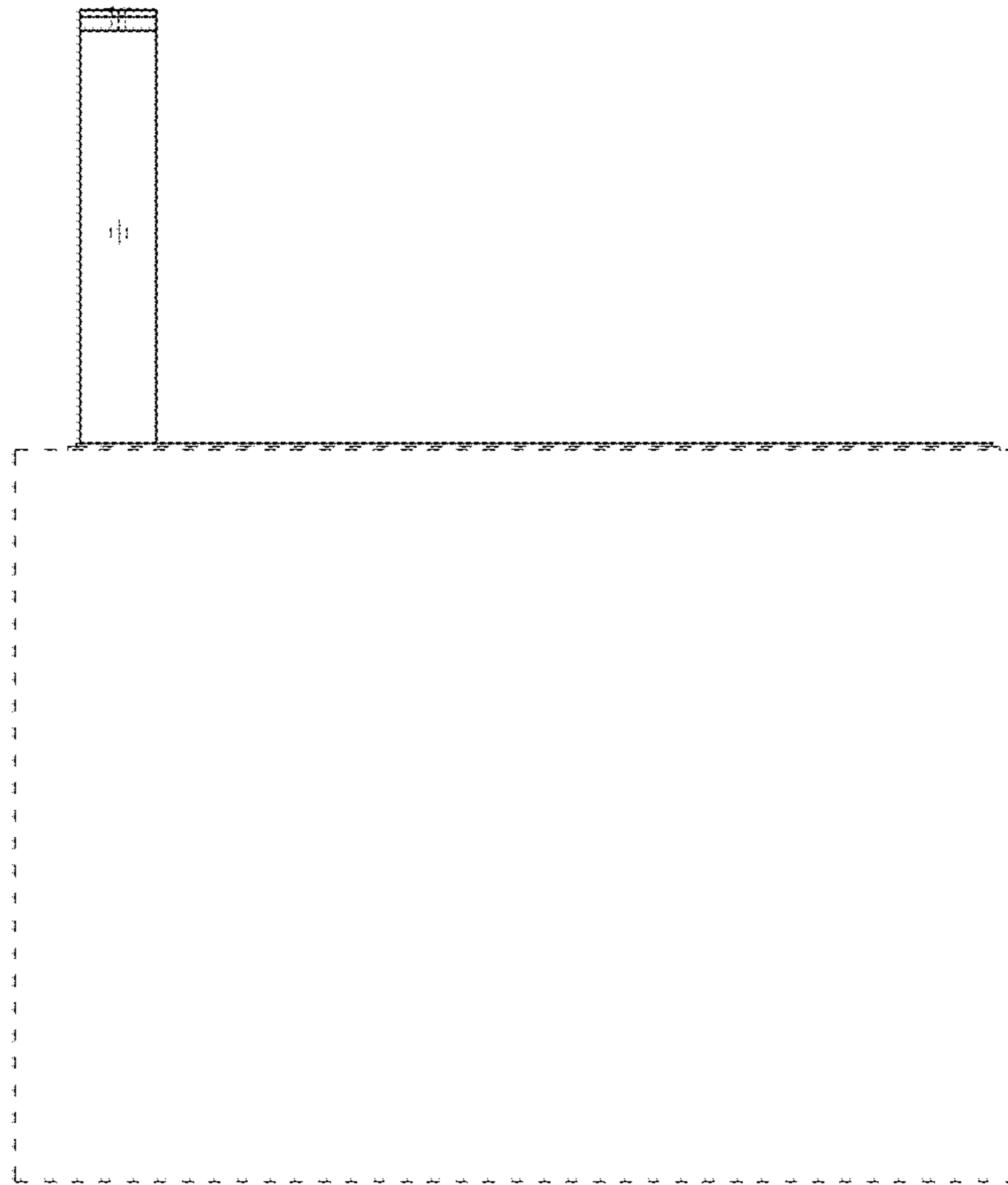


FIG. 12

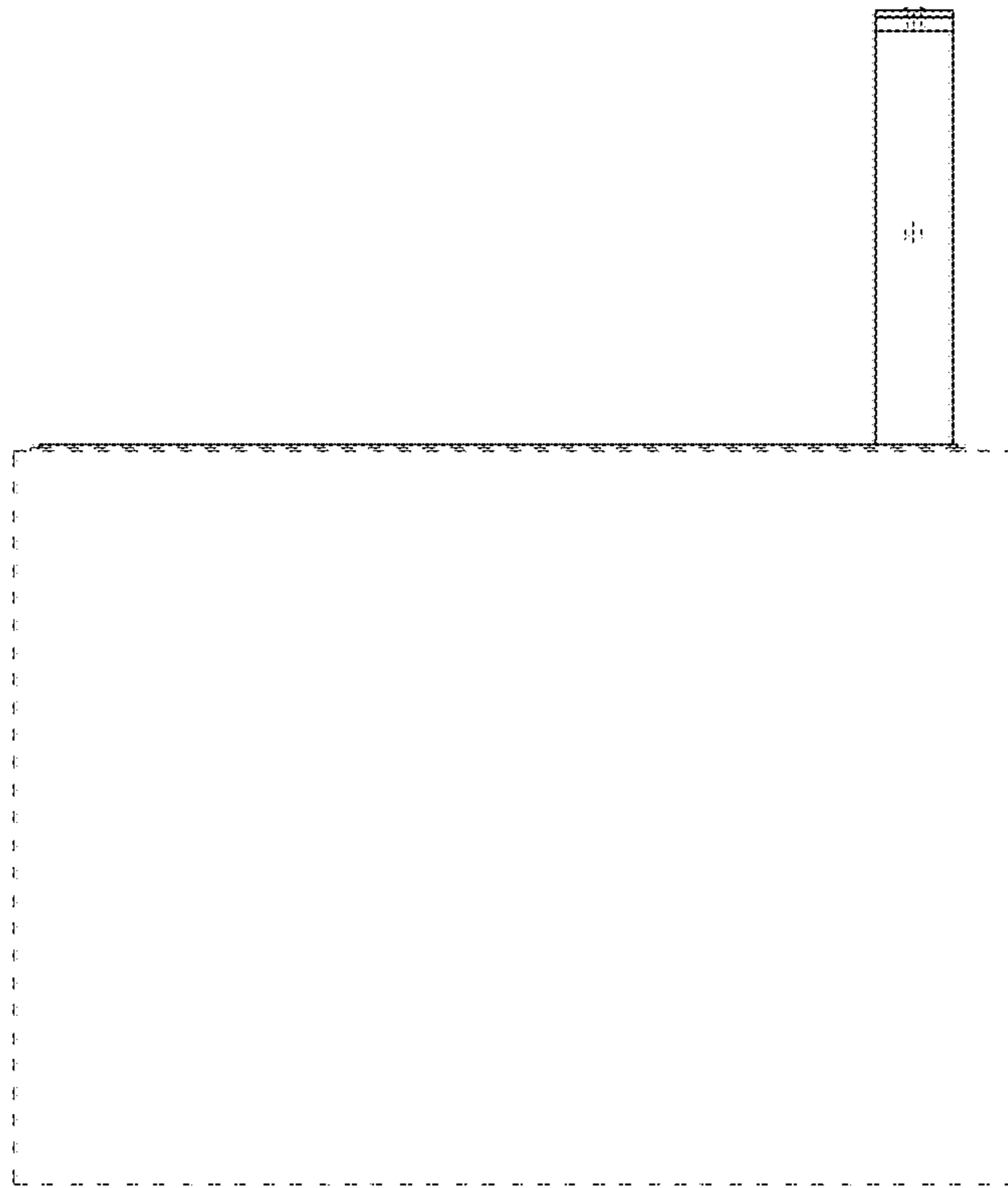


FIG. 13

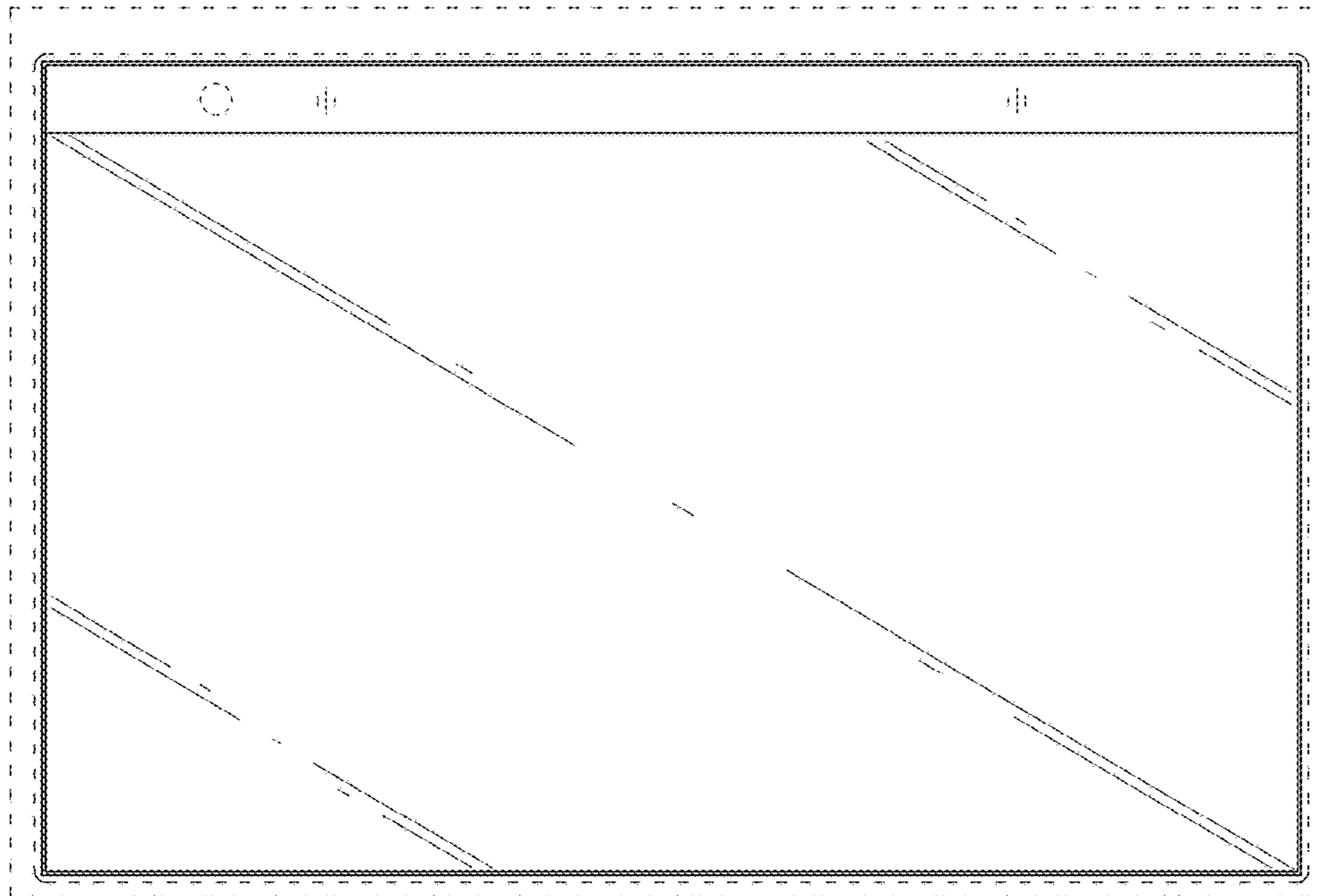


FIG. 14

