



US00D850850S

(12) **United States Design Patent** (10) **Patent No.:** **US D850,850 S**  
**Vargo** (45) **Date of Patent:** **\*\* Jun. 11, 2019**

(54) **PORTABLE LIQUID FILTER WITH ADJUSTABLE LEGS**

D764,864 S \* 8/2016 Hertaus ..... D7/400  
D791,535 S \* 7/2017 Yeh ..... D7/400  
2010/0047419 A1\* 2/2010 Boul ..... A47J 31/08  
426/433

(71) Applicant: **Brian J. Vargo**, Lewisburg, PA (US)

\* cited by examiner

(72) Inventor: **Brian J. Vargo**, Lewisburg, PA (US)

*Primary Examiner* — Terry A Wallace

(\*\*) Term: **15 Years**

(74) *Attorney, Agent, or Firm* — Sonya C. Harris;  
Invention Services

(21) Appl. No.: **29/637,501**

(57) **CLAIM**

(22) Filed: **Feb. 19, 2018**

The ornamental design for the portable liquid filter with adjustable legs, as shown and described.

(51) **LOC (11) Cl.** ..... **07-02**

**DESCRIPTION**

(52) **U.S. Cl.**

USPC ..... **D7/400**; D7/667

(58) **Field of Classification Search**

USPC ..... D7/368, 667, 668, 669, 400

CPC ..... A47G 19/02; A47G 19/14; A47G 19/16;

A47G 19/04; A45C 3/045; A47J 31/0636;

A47J 31/08; A47J 43/24; A47J 43/22;

A47J 43/28; A47J 43/286; A47J 43/285;

A47J 43/00; B65D 85/808; E03C 1/262

See application file for complete search history.

FIG. 1 is a top front perspective view of my portable liquid filter with adjustable legs;

FIG. 2 is a top elevational view of my design;

FIG. 3 is a bottom elevational view of my design;

FIG. 4 is a front elevational view of my design;

FIG. 5 is a rear elevational view of my design;

FIG. 6 is a bottom rear perspective view of my design;

FIG. 7 is a top rear perspective view of my design;

FIG. 8 is a top front perspective view of my design, illustrating a condition of use;

FIG. 9 is a bottom front perspective view of my design illustrating a condition of use; and,

FIG. 10 is a right side elevational view of my design, illustrating a condition of use.

In the drawings, the broken lines depict unclaimed subject matter only and form no part of the claimed design.

(56) **References Cited**

**U.S. PATENT DOCUMENTS**

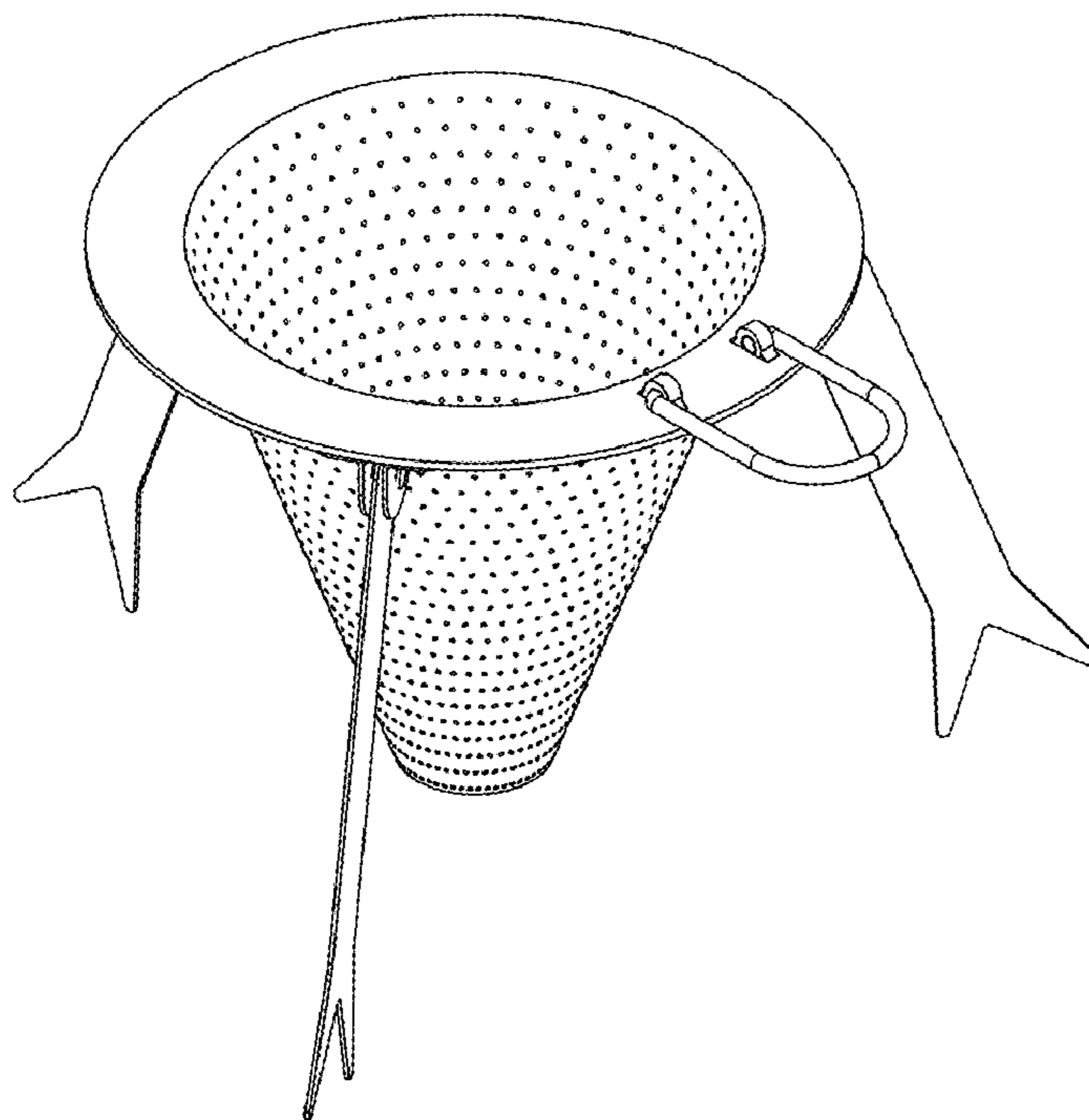
4,419,232 A \* 12/1983 Arntyr ..... E03C 1/262

210/164

D524,599 S \* 7/2006 Bodum ..... D7/400

D694,852 S \* 12/2013 Gordon ..... D23/209

**1 Claim, 5 Drawing Sheets**



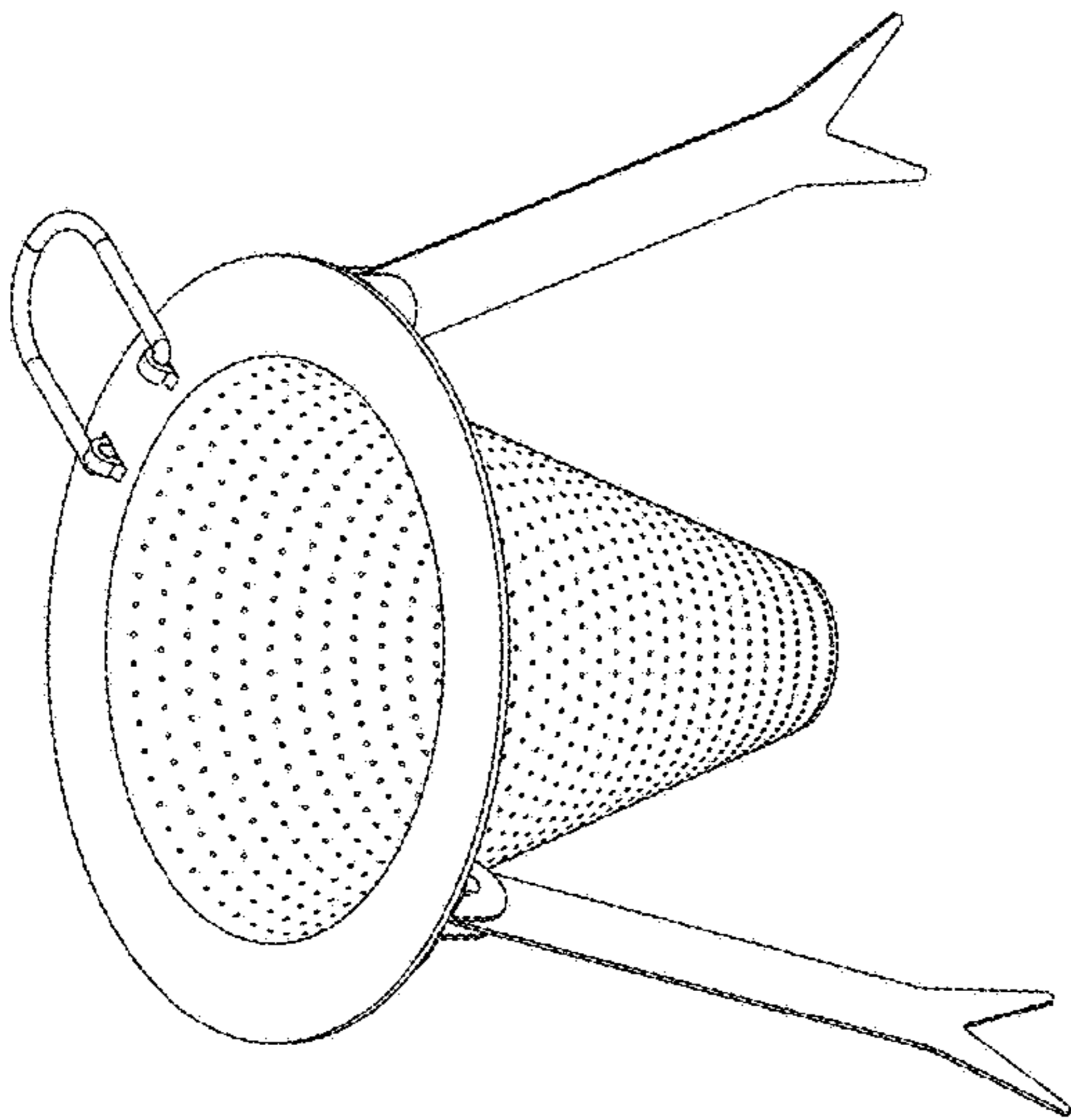


Figure 1

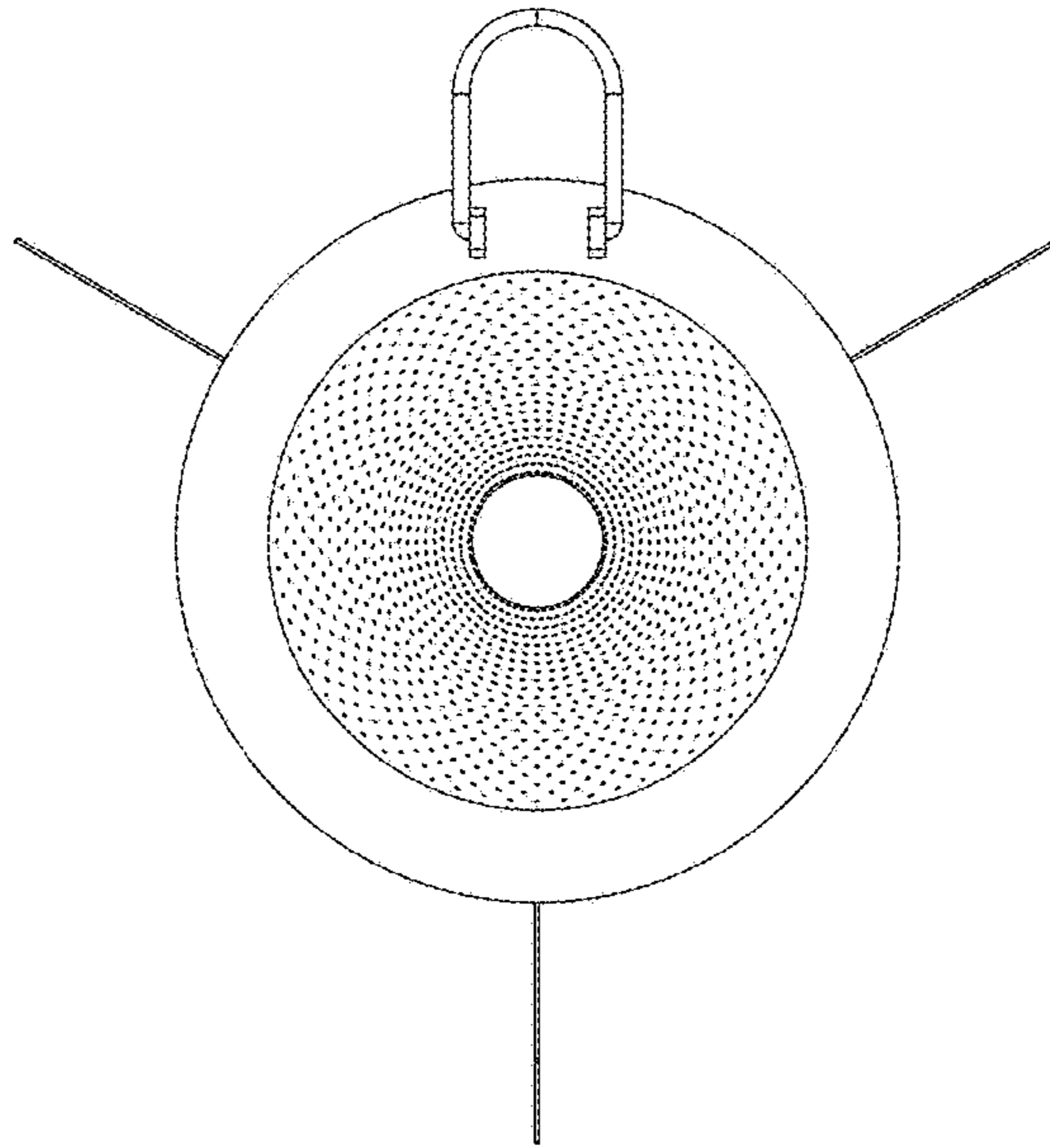


Figure 2

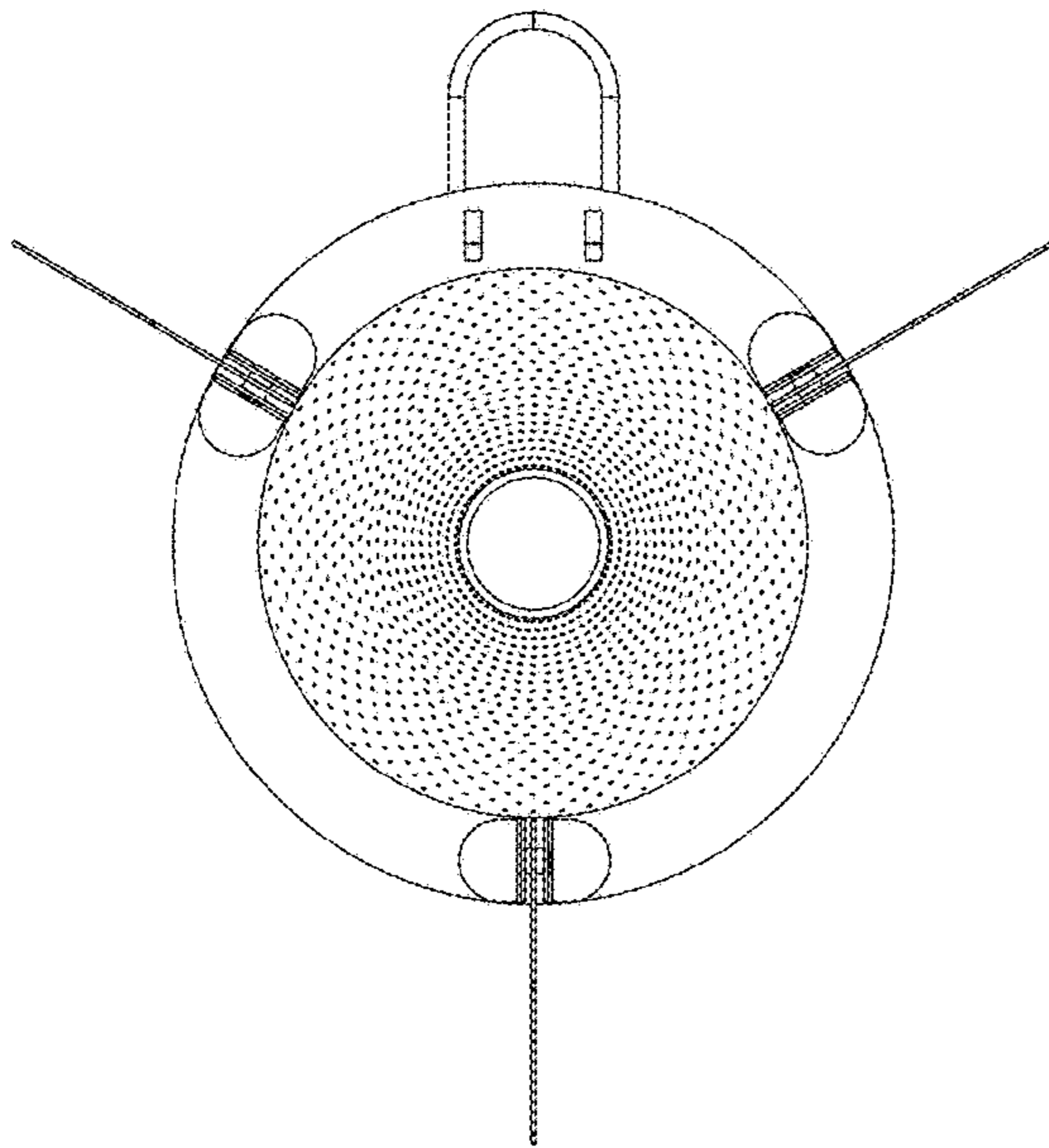


Figure 3

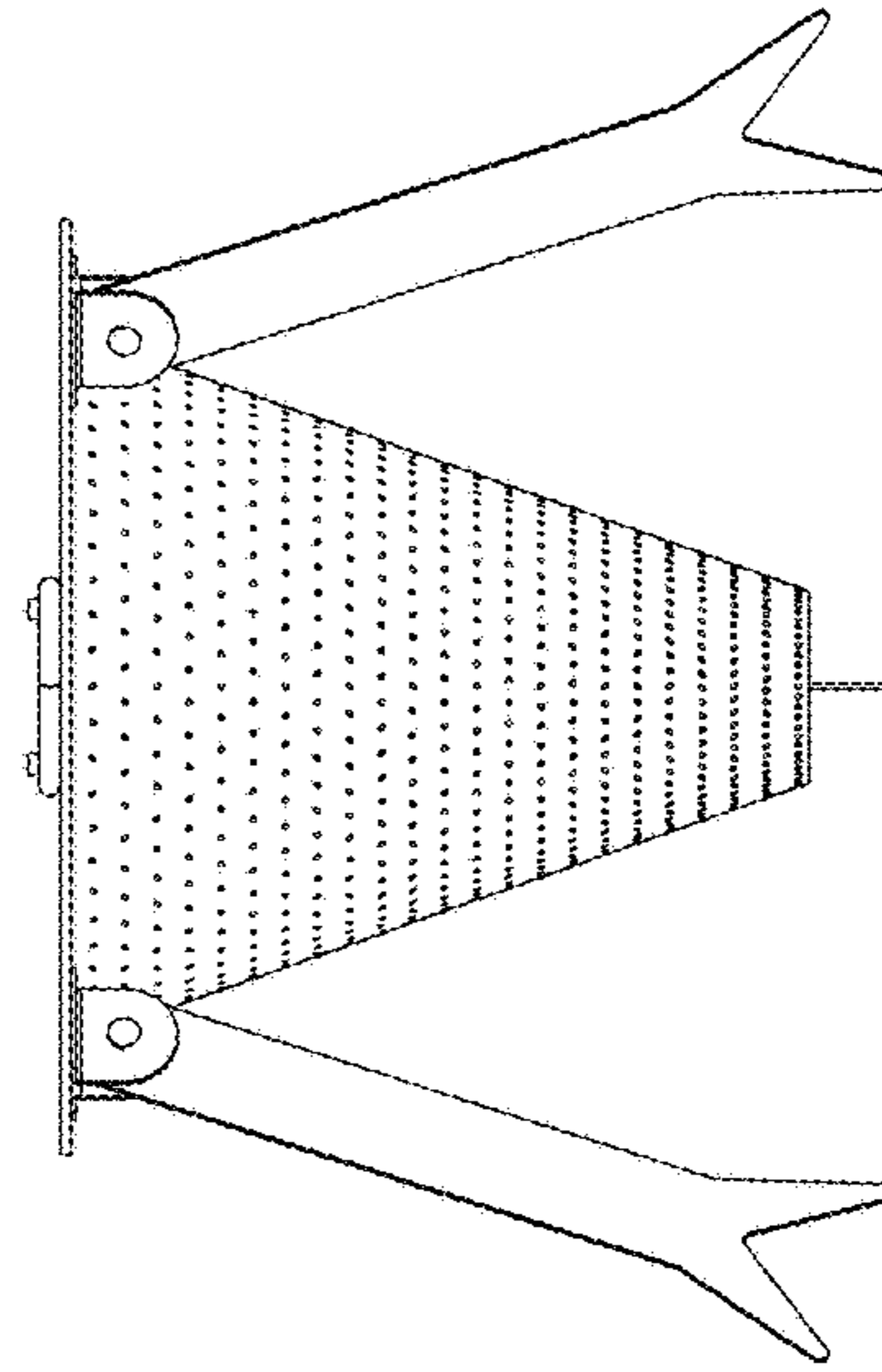


Figure 4

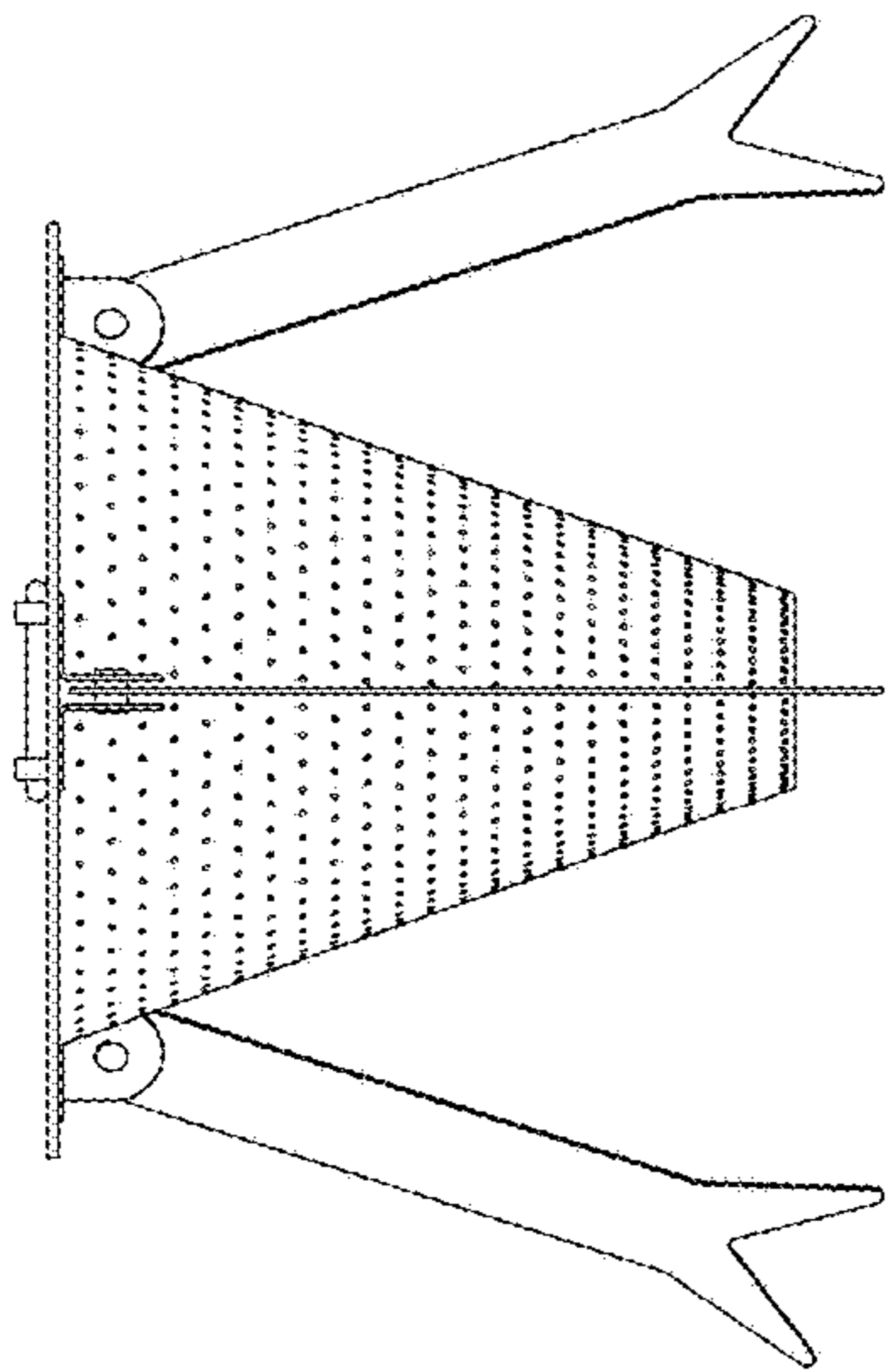


Figure 5

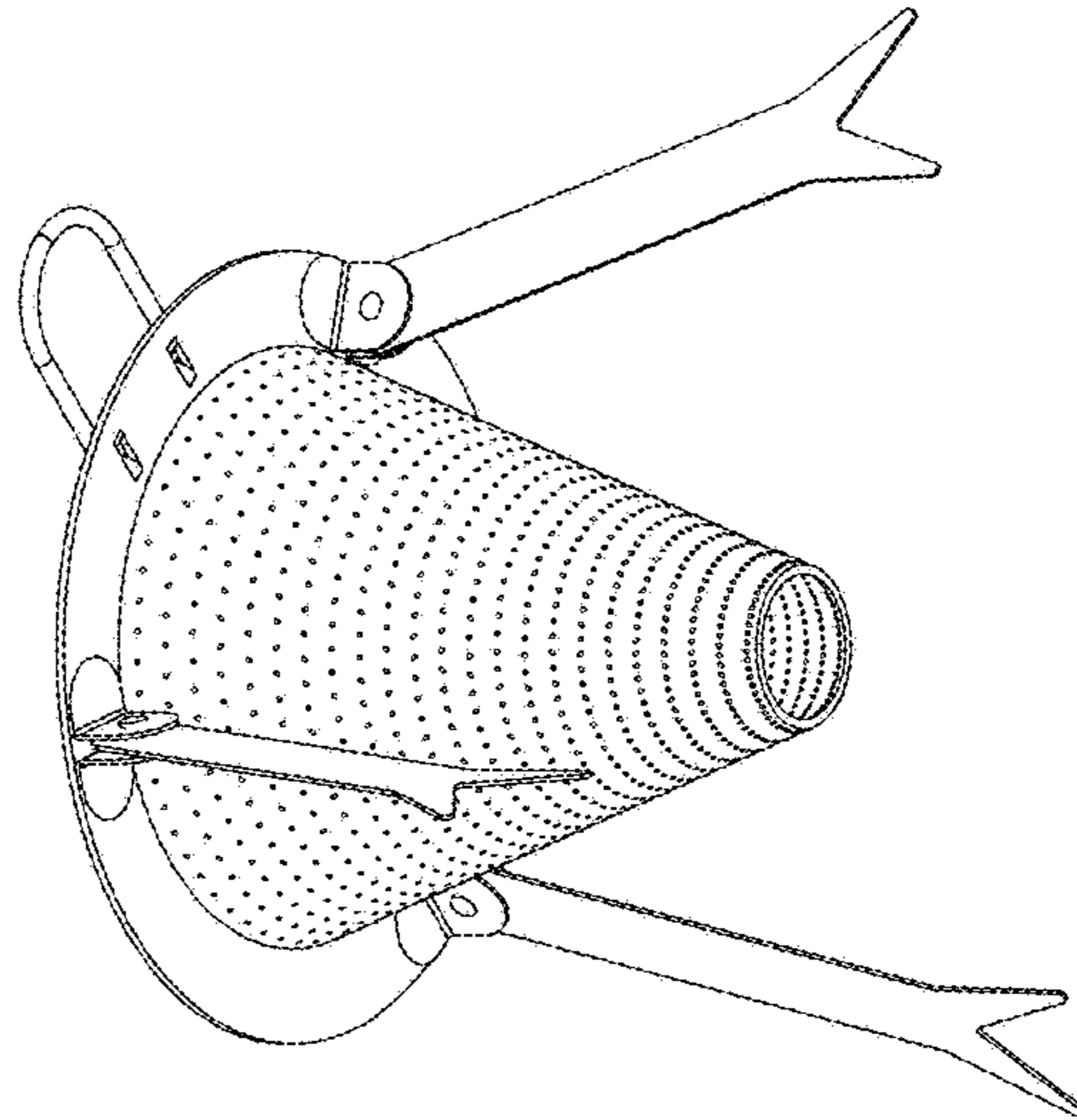


Figure 6

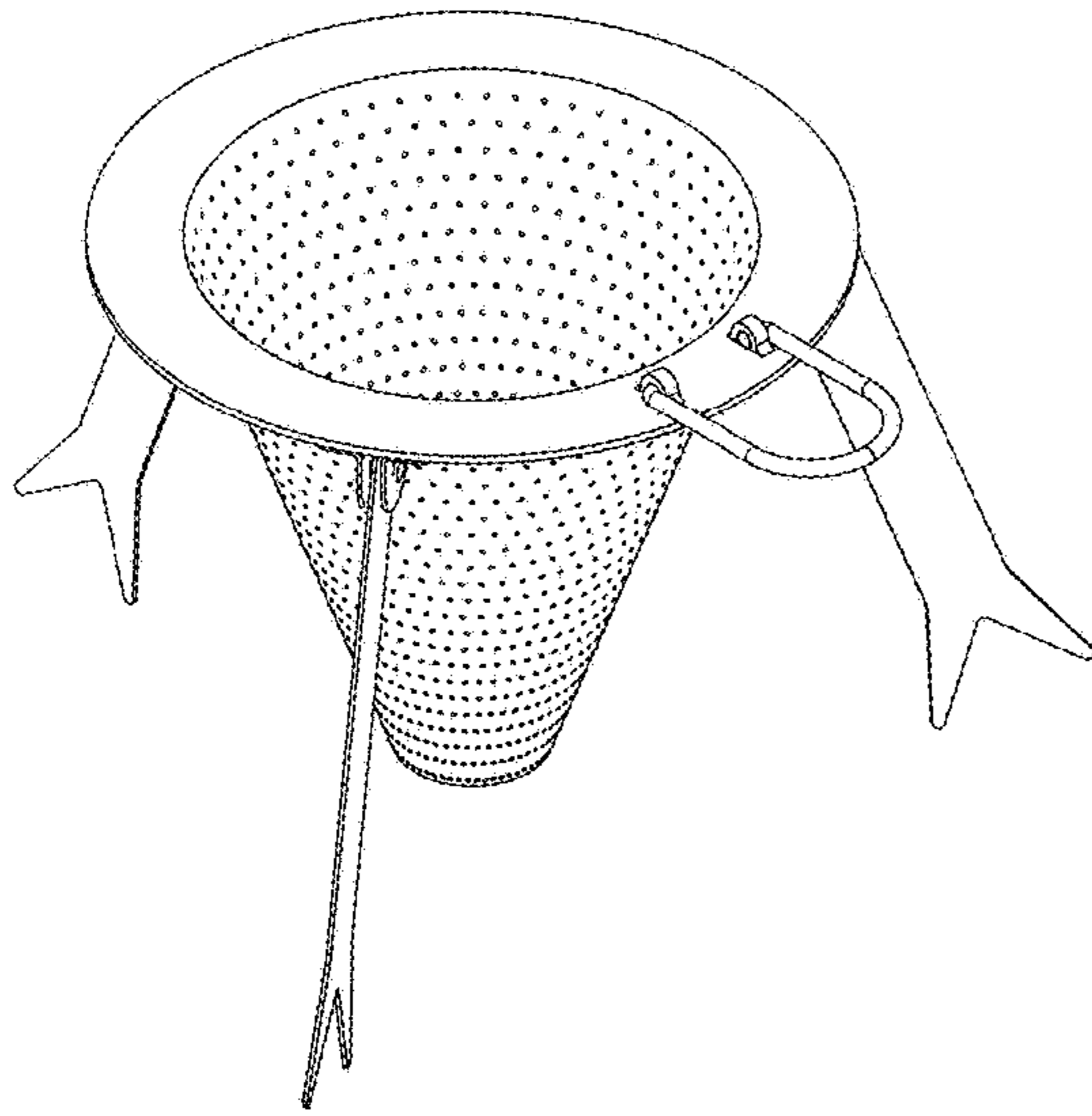


Figure 7

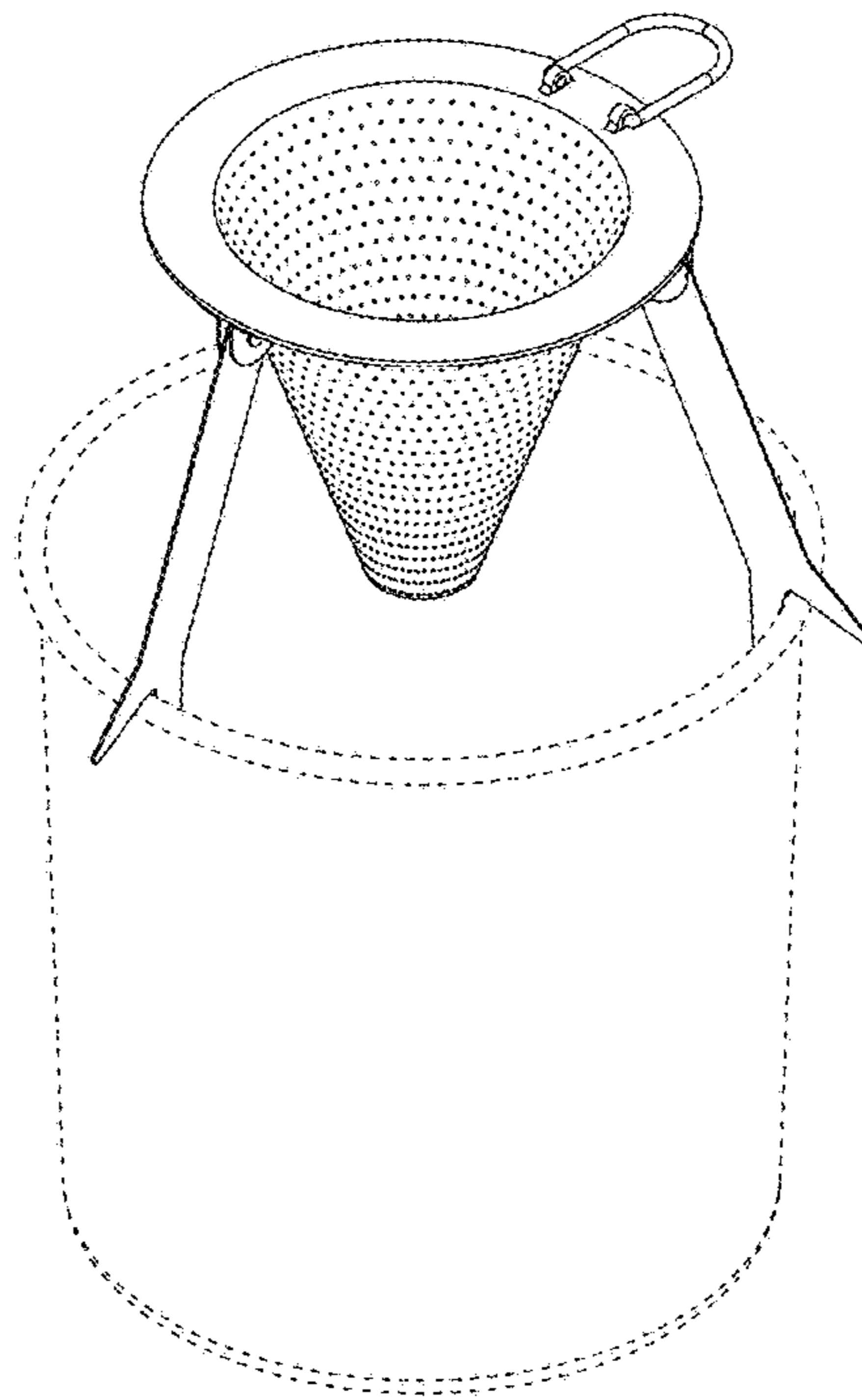


Figure 8



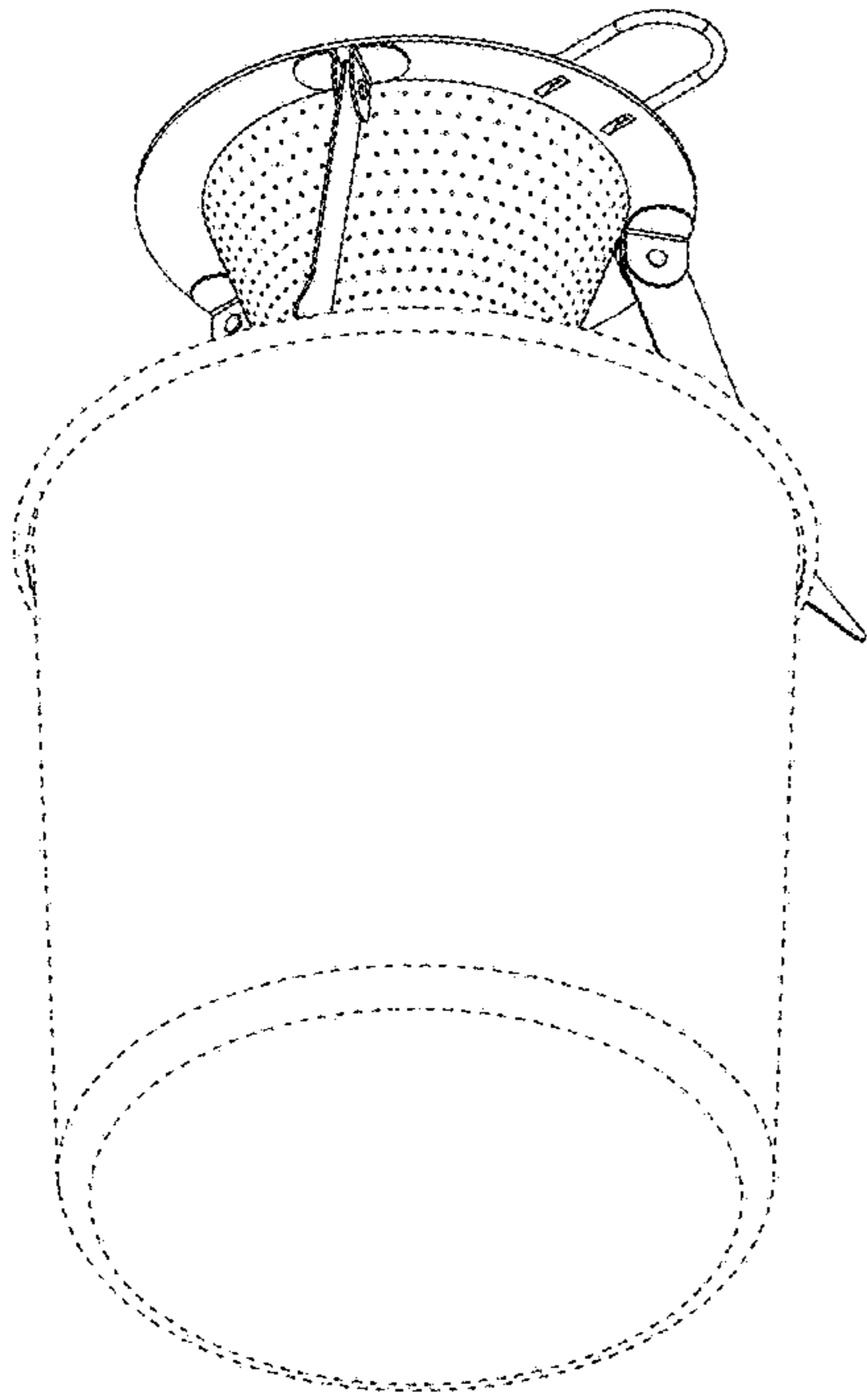


Figure 9

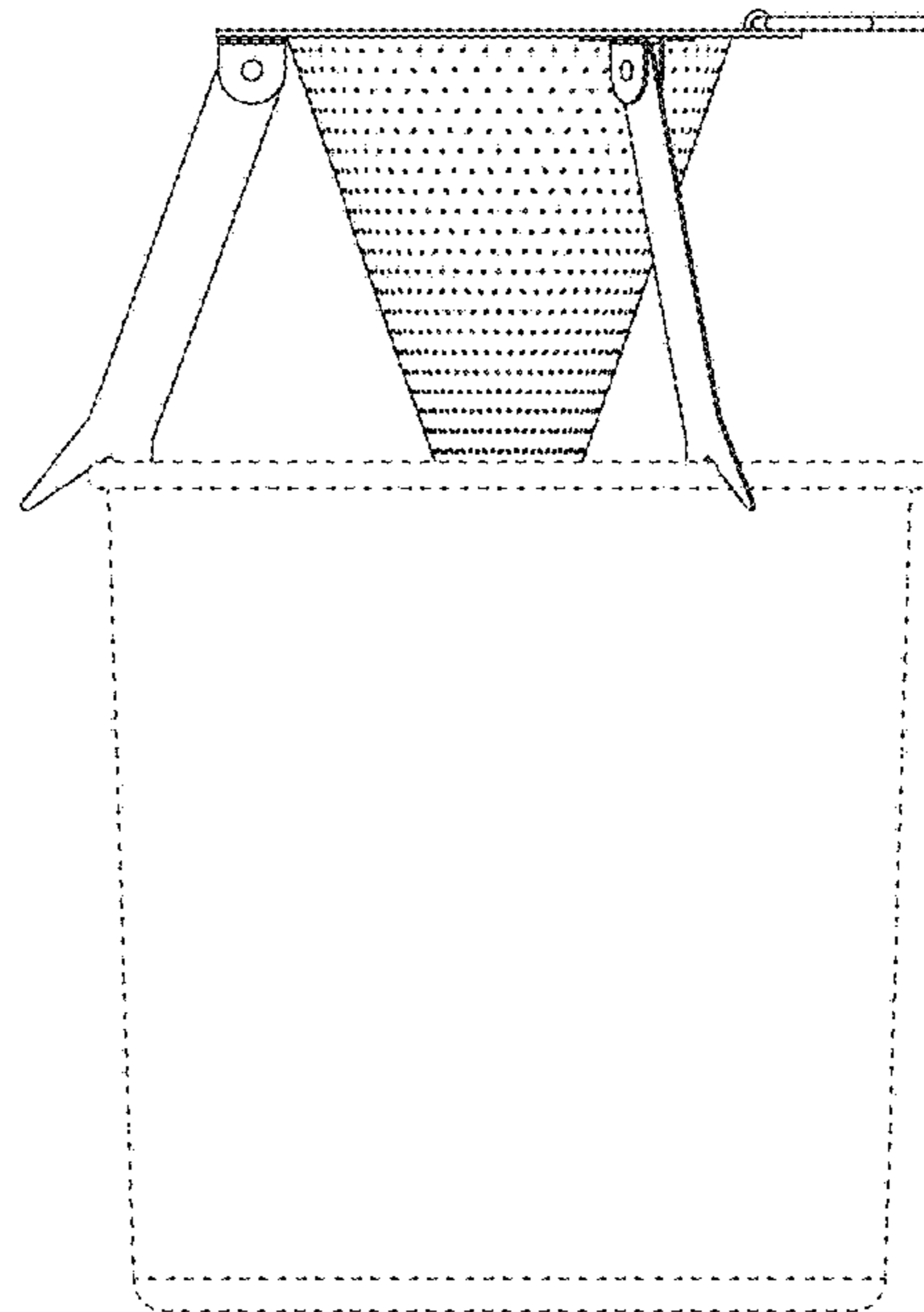


Figure 10