



US00D850849S

(12) **United States Design Patent**
Ke

(10) **Patent No.:** **US D850,849 S**
(45) **Date of Patent:** **** Jun. 11, 2019**

- (54) **LID**
- (71) Applicant: **Seikilife (Shanghai) Housewares Co., Ltd.**, Shanghai (CN)
- (72) Inventor: **David Ke**, Shanghai (CN)
- (73) Assignee: **Seikilife (Shanghai) Housewares Co., Ltd.**, Shanghai (CN)

| | | | | |
|-------------------|---------|---------|-------|-----------------------|
| D763,819 S * | 8/2016 | Silvera | | D14/204 |
| D780,577 S * | 3/2017 | Seiders | | D7/392.1 |
| D781,145 S * | 3/2017 | Seiders | | D7/392.1 |
| D781,146 S * | 3/2017 | Seiders | | D7/392.1 |
| D792,215 S * | 7/2017 | Eyal | | D7/392.1 |
| D795,008 S * | 8/2017 | Eyal | | D7/392.1 |
| D802,994 S * | 11/2017 | Seiders | | D7/392.1 |
| D814,928 S * | 4/2018 | Seiders | | D9/443 |
| D816,493 S * | 5/2018 | Seiders | | D9/443 |
| D821,350 S * | 6/2018 | Ke | | D14/204 |
| 2014/0064535 A1 * | 3/2014 | Zhao | | H04R 1/021 381/332 |

(**) Term: **15 Years**

(21) Appl. No.: **29/616,842**

(22) Filed: **Sep. 8, 2017**

(30) **Foreign Application Priority Data**

Aug. 21, 2017 (CN) 2017 3 0386206

(51) **LOC (11) Cl.** **07-99**

(52) **U.S. Cl.**
USPC **D7/396.2; D9/443; D14/204**

(58) **Field of Classification Search**
USPC D7/392, 392.1, 396.1, 396.2, 397, 398;
D9/434-436, 439, 443, 447, 449, 454,
D9/499; D14/204

CPC H04R 1/02; H04R 1/021
See application file for complete search history.

(56) **References Cited**

U.S. PATENT DOCUMENTS

| | | | | |
|--------------|--------|------------|-------|---------|
| D621,258 S * | 8/2010 | Gullickson | | D9/443 |
| D724,945 S * | 3/2015 | Davis | | D9/447 |
| D752,014 S * | 3/2016 | Bolmstrand | | D14/204 |
| D756,957 S * | 5/2016 | Nylen | | D14/204 |
| D758,859 S * | 6/2016 | Sorensen | | D7/393 |
| D761,103 S * | 7/2016 | Lebon | | D9/447 |

OTHER PUBLICATIONS

Yeti. Rambler 18 oz Bottle. 2018. <URL:https://www.yeti.com/drinkware/rambler-18-oz-bottle/YRAM18.html>. (Year: 2018).*

* cited by examiner

Primary Examiner — George D. Kirschbaum

Assistant Examiner — Darcey E Gottschalk

(74) *Attorney, Agent, or Firm* — Wang Law Firm, Inc.

(57) **CLAIM**

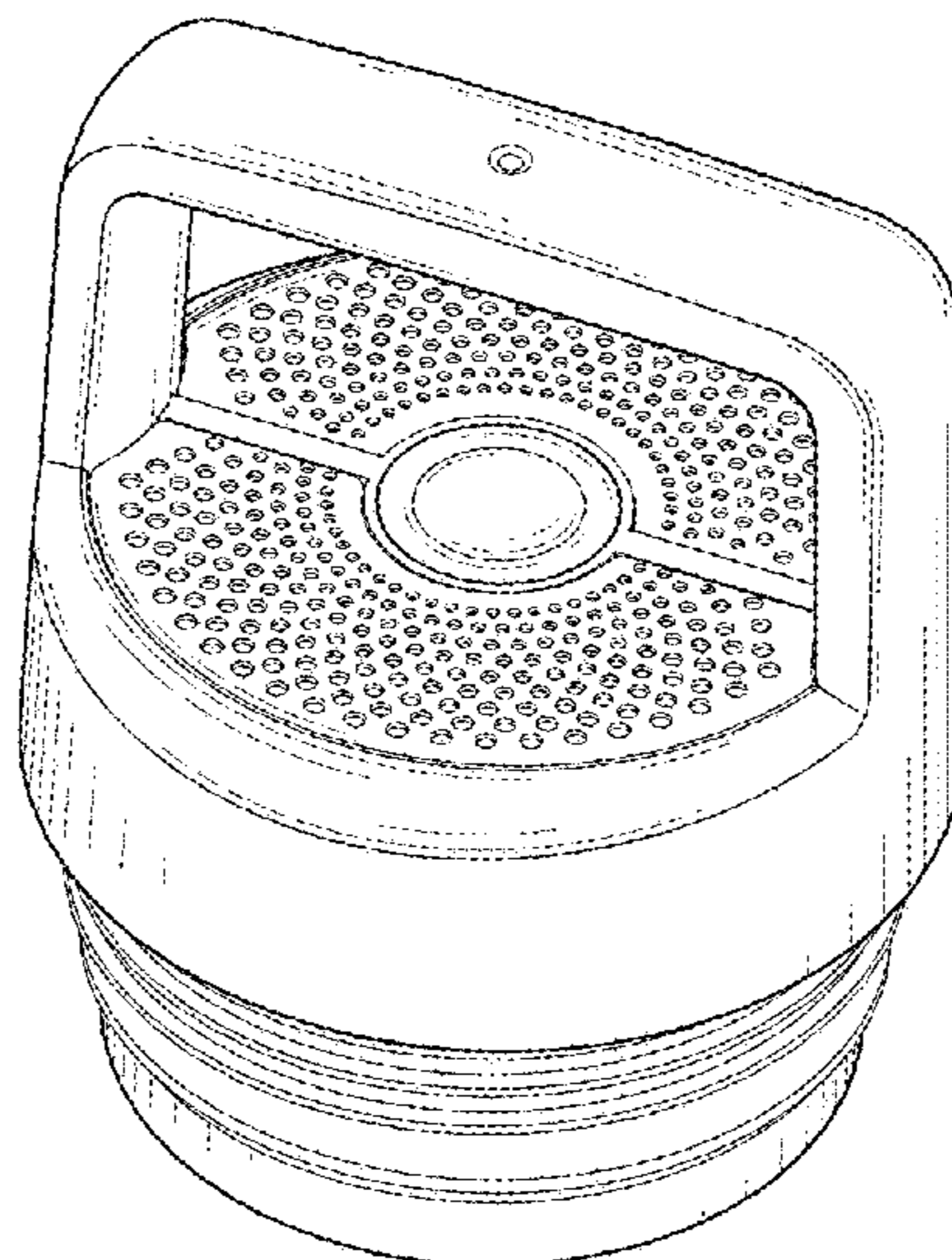
The ornamental design for a lid, as shown and described.

DESCRIPTION

FIG. 1 is a perspective view of a lid showing my new design;
FIG. 2 is a front view thereof;
FIG. 3 is a rear view thereof;
FIG. 4 is a left view thereof;
FIG. 5 is a right view thereof;
FIG. 6 is a top view thereof; and,
FIG. 7 is a bottom view thereof.

The broken lines depict portions of the lid that form no part of the claim.

1 Claim, 7 Drawing Sheets



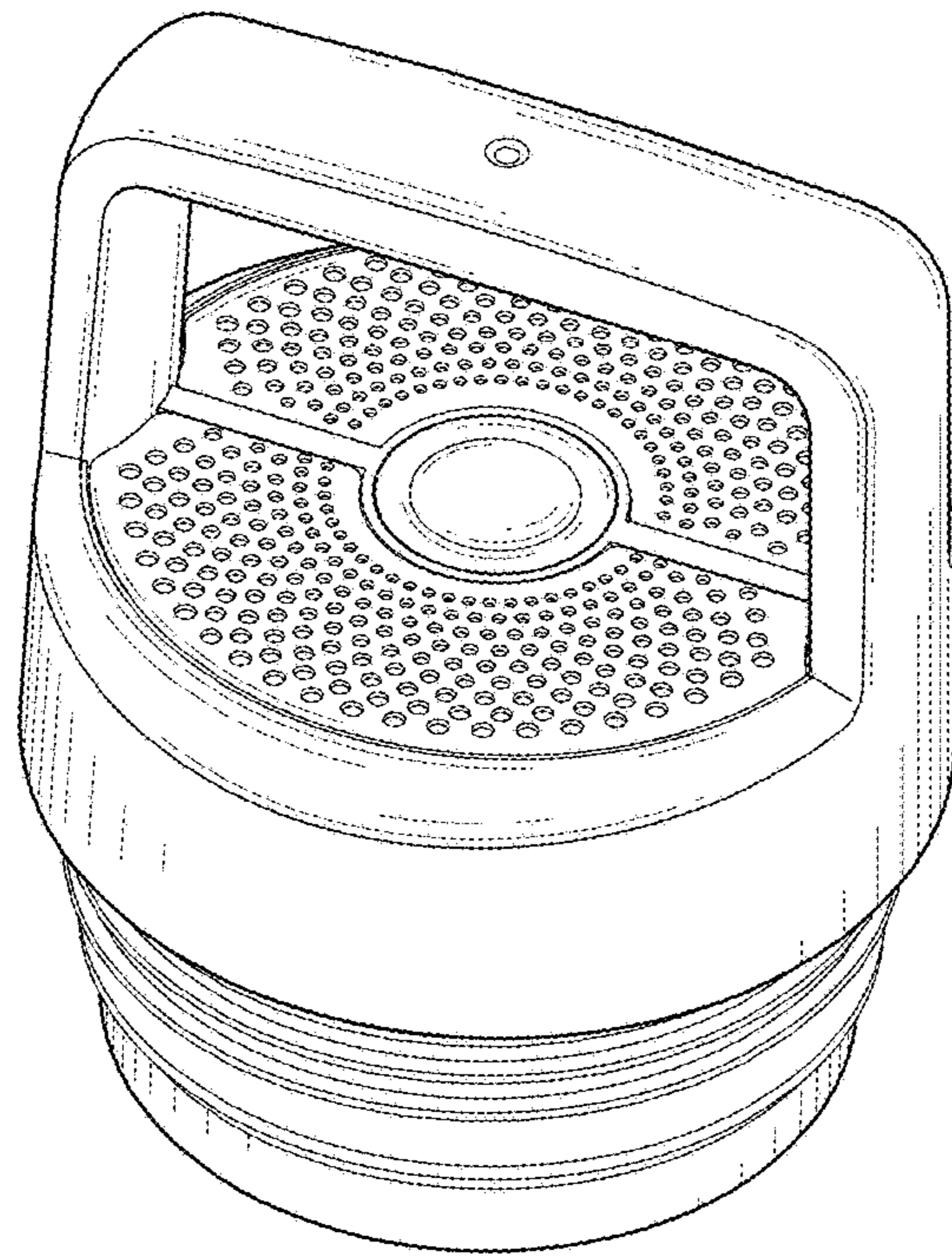


FIG. 1

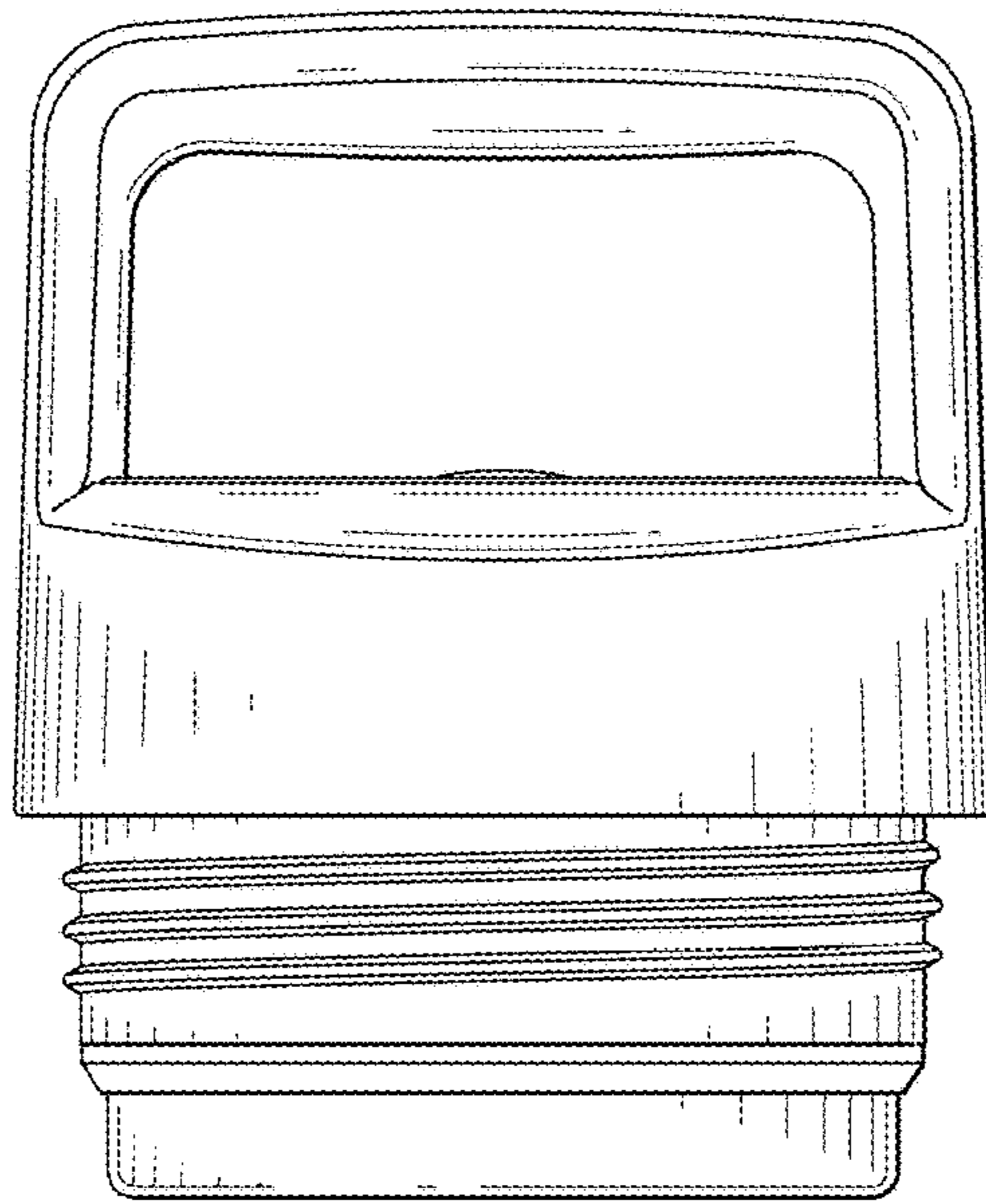


FIG. 2

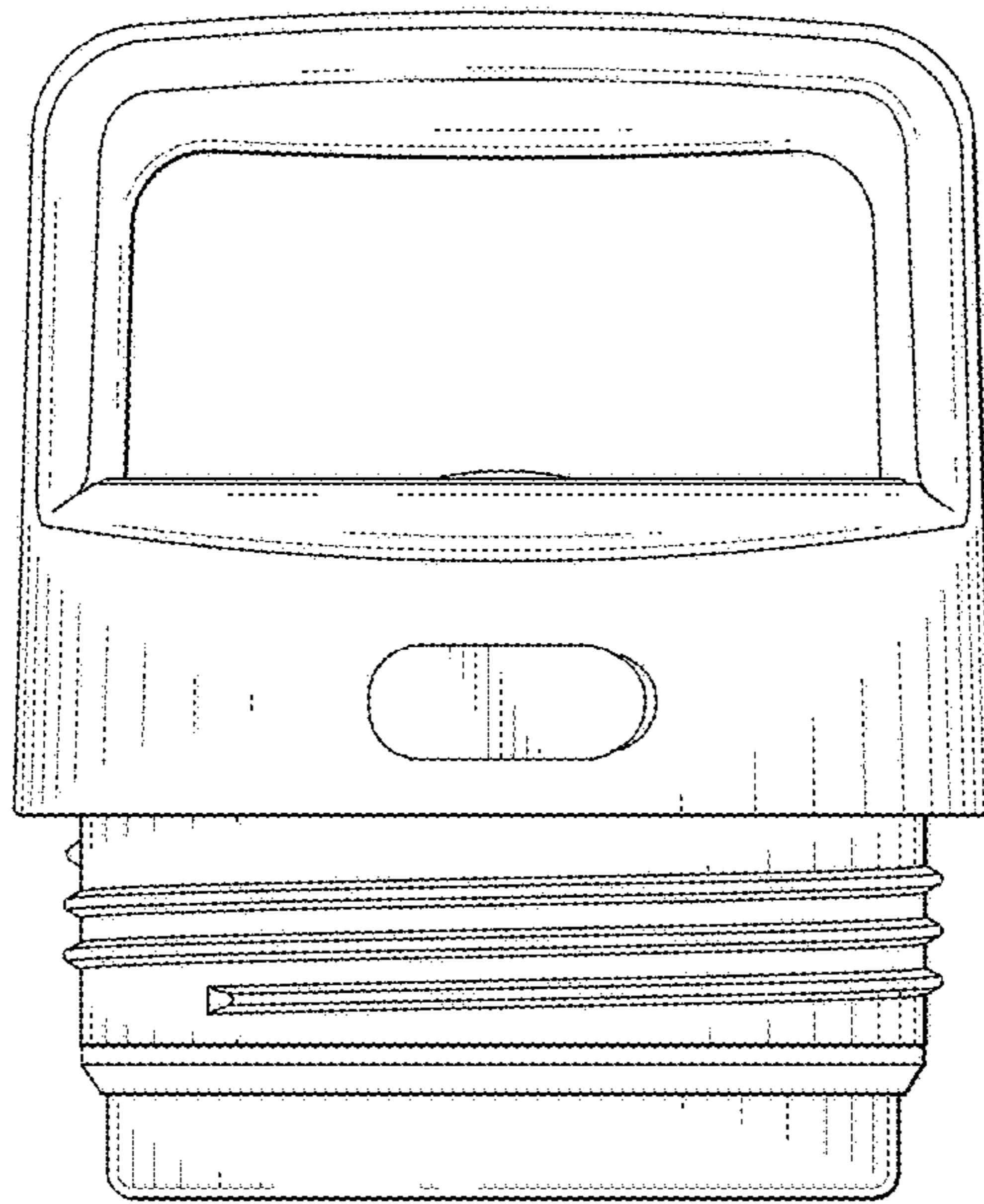


FIG. 3

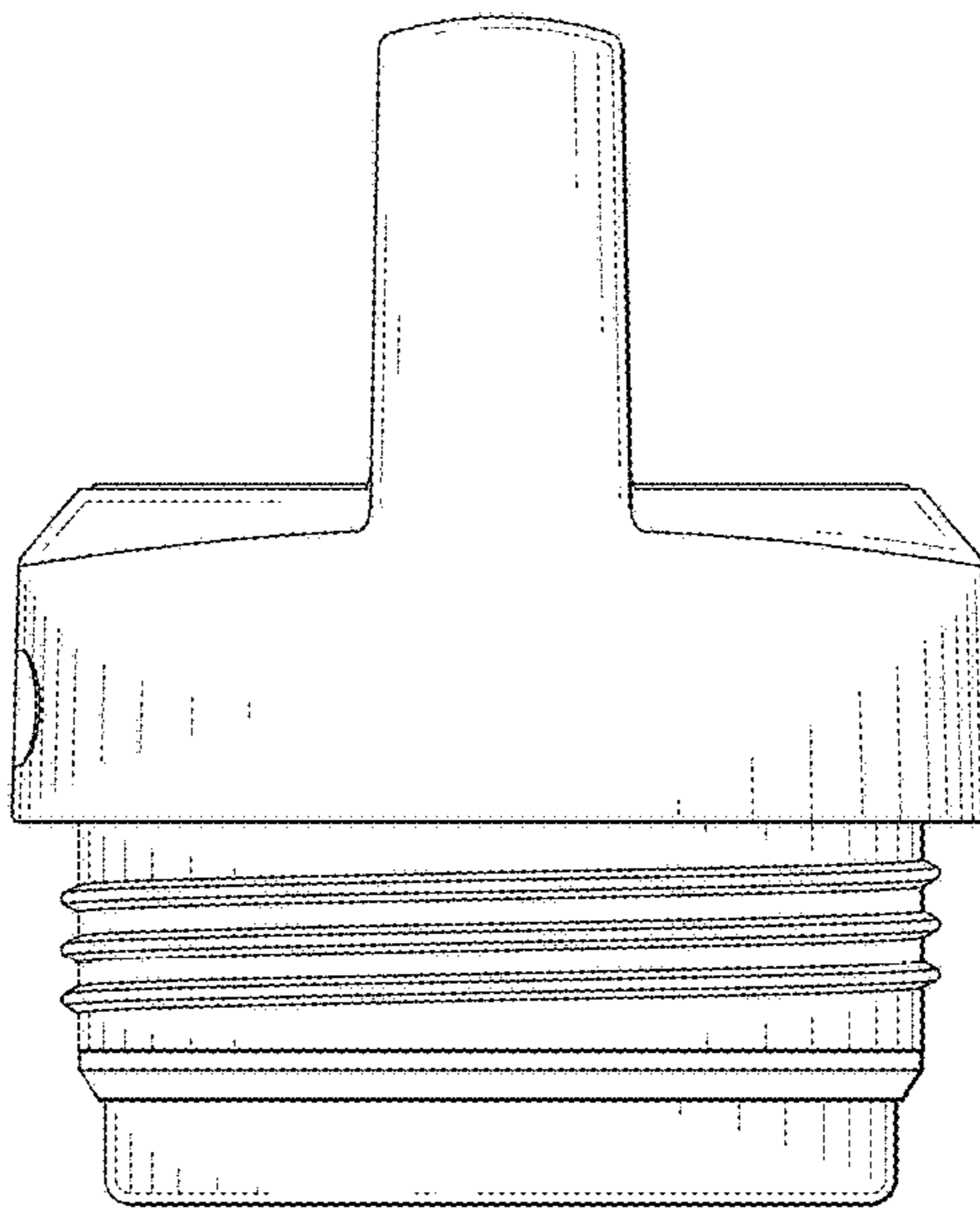


FIG. 4

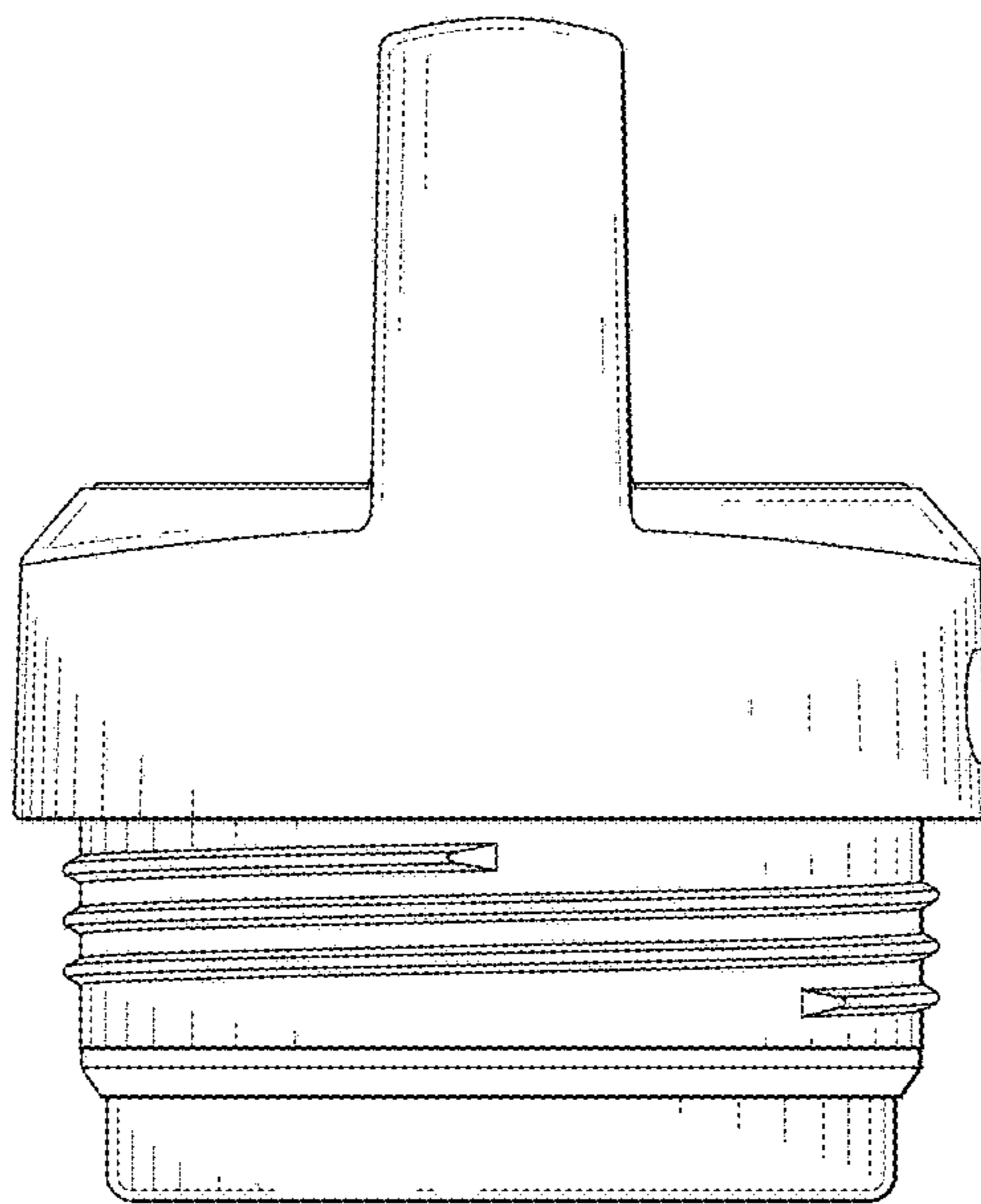


FIG. 5

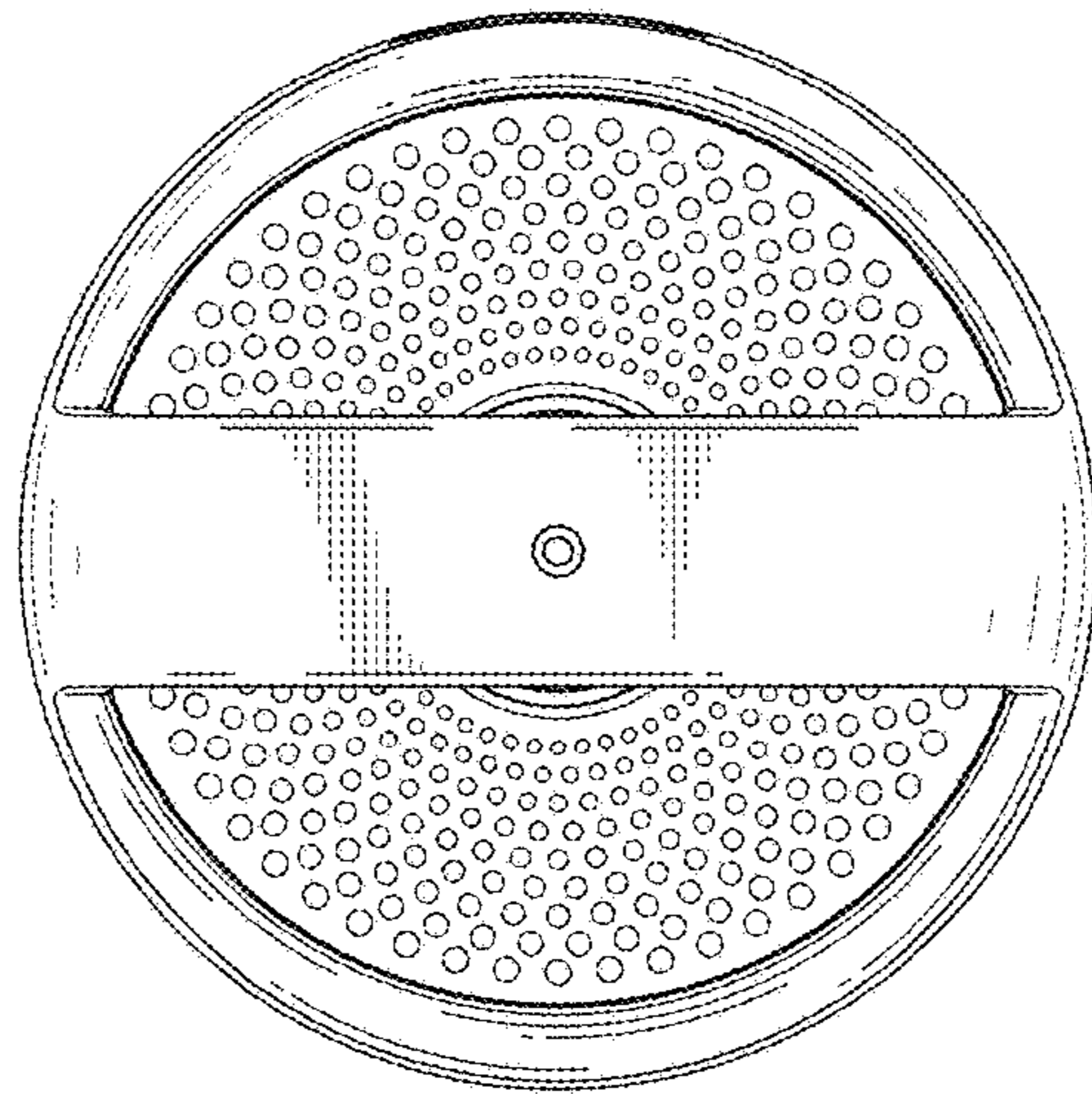


FIG. 6

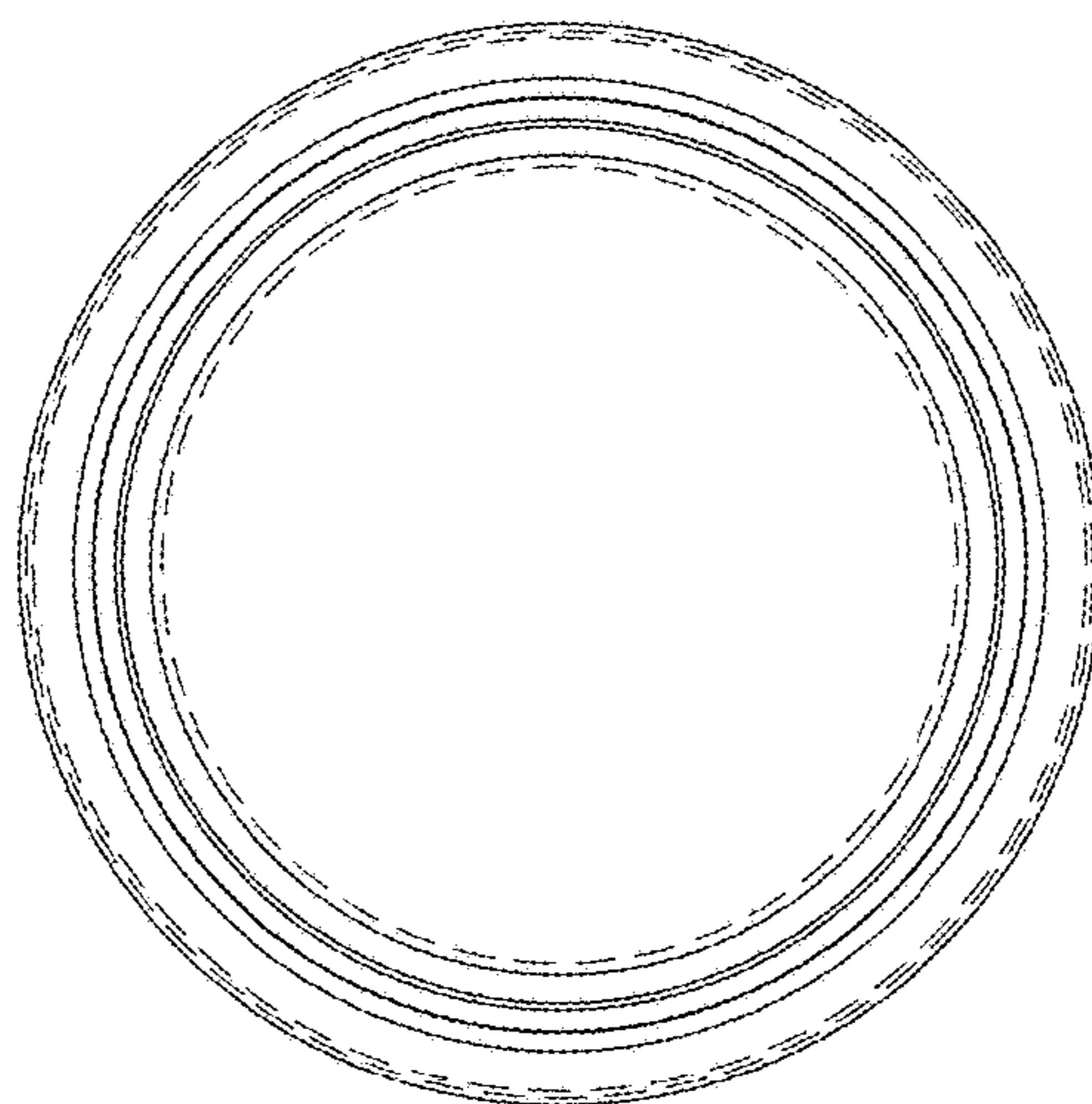


FIG. 7