



US00D850848S

(12) **United States Design Patent**
Wachter et al.

(10) **Patent No.:** **US D850,848 S**
(45) **Date of Patent:** **** Jun. 11, 2019**

(54) **COVER FOR DRINKING CONTAINER**

- (71) Applicant: **Pinnacle Peak Solutions, LLC**, Glen Ellyn, IL (US)
- (72) Inventors: **Linda Wachter**, Glen Ellyn, IL (US); **Michael Scola**, Roselle, IL (US); **Steven Slowik**, Wheeling, IL (US); **Ron Farnum**, Chicago, IL (US); **John Olson**, Livingston, TX (US)
- (73) Assignee: **Pinnacle Peak Solutions, LLC**, Glen Ellyn, IL (US)
- (**) Term: **15 Years**
- (21) Appl. No.: **29/634,890**
- (22) Filed: **Jan. 25, 2018**

Related U.S. Application Data

- (63) Continuation of application No. 29/556,785, filed on Mar. 3, 2016, now Pat. No. Des. 811,811.
- (51) **LOC (11) Cl.** **07-99**
- (52) **U.S. Cl.**
USPC **D7/392.1**
- (58) **Field of Classification Search**
USPC D7/392.2, 392.1, 509-511, 513, 533, D7/539-537, 586, 301-303, 619.1;
(Continued)

(56) **References Cited**

U.S. PATENT DOCUMENTS

D46,429 S *	9/1914	Clark	D9/452
6,174,214 B1 *	1/2001	Cooper	A63H 33/18 446/46

(Continued)

FOREIGN PATENT DOCUMENTS

CN	204636045	9/2015
CN	105902177	6/2016

(Continued)

OTHER PUBLICATIONS

Drink Tops MOD Tap & Seal Outdoor Silicone Drink Covers, Pack of 4 (Large), posted at Amazon.com, posted on Jul. 18, 2016, site visited Jan. 18, 2017, <<https://www.amazon.com/Drink-Tops-Outdoor-Silicone-Covers/dp/B01INYYDD6W>>.

(Continued)

Primary Examiner — Barbara Fox
Assistant Examiner — Messina L Smith

(74) *Attorney, Agent, or Firm* — Michael P. Mazza, LLC

(57) **CLAIM**

The ornamental design for a cover for drinking container, as shown and described.

DESCRIPTION

FIG. 1 is a top and side perspective view of a first embodiment of a cover for drinking container of the present invention;

FIG. 2 is a top plan view thereof;

FIG. 3 is a cross-sectional view taken along line 3-3 in FIG. 2;

FIG. 4 is a side elevational view of the embodiment shown in FIG. 1;

FIG. 5 is a bottom plan view thereof;

FIG. 6 is a bottom and side perspective view thereof;

FIG. 7 is the top and side perspective view of FIG. 1 showing the cover for drinking container in an environment of use;

FIG. 8 is a top and side perspective view of a second embodiment of the cover for drinking container;

FIG. 9 is a top and side perspective view of FIG. 8 showing the cover for drinking container in an environment of use;

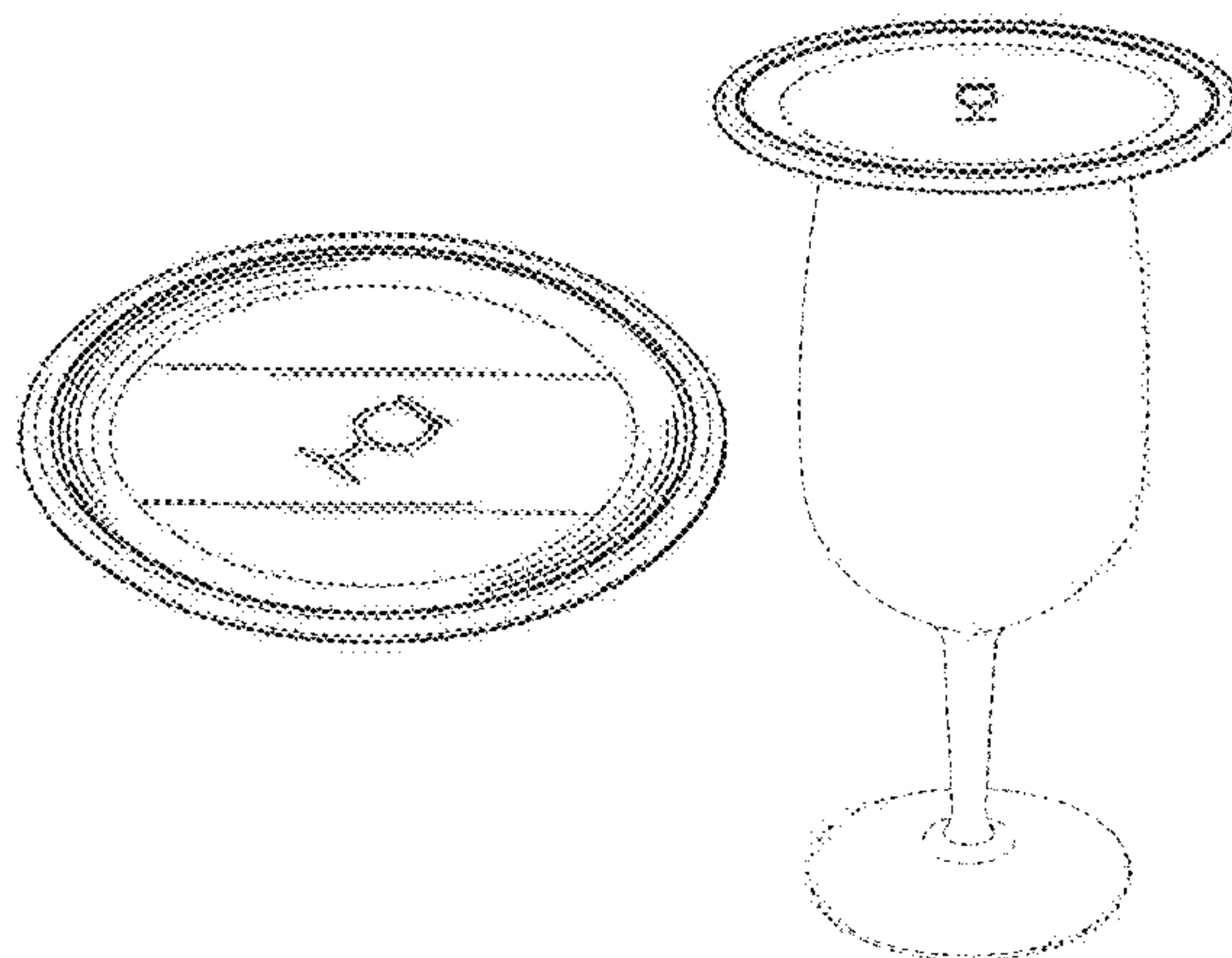
FIG. 10 is a top plan view of FIG. 8;

FIG. 11 is a cross-sectional view taken along line 11-11 in FIG. 10;

FIG. 12 is a side elevational view of FIG. 8; and,

FIG. 13 is a bottom plan view thereof.

(Continued)



The broken line showing of the glasses in FIGS. 7 and 9 depicts environment and forms no part of the claimed design.

1 Claim, 6 Drawing Sheets

(58) **Field of Classification Search**

USPC D9/523–525, 528–529, 531, 536, 544,
D9/435–436, 439–440, 443, 447;
D3/202, 215
CPC A47G 19/22; A47G 19/2205; A47G
19/2272; B65D 2543/00046; B65D
2543/00027; B65D 2543/00055; B65D
2543/00009; B65D 2539/00; B65D 39/00;
B65D 41/00; B65D 43/00; B65D 43/02;
B65D 43/0225; B65D 43/0233; B65D
43/06; B65D 43/12

See application file for complete search history.

(56) **References Cited**

U.S. PATENT DOCUMENTS

6,488,210 B2 * 12/2002 Schumi A44C 21/00
235/488
D502,050 S 2/2005 Munson
D632,563 S 2/2011 Sitabkhan
D641,209 S 7/2011 Ablo
D656,362 S * 3/2012 Cloutier D7/500
D656,365 S 3/2012 Cloutier
D663,574 S 7/2012 Shenkal
D676,275 S 2/2013 Chen
D676,276 S 2/2013 Muspratt
D677,159 S 3/2013 Sina
D684,821 S 6/2013 Mariotti
8,613,417 B2 * 12/2013 Kraus, Jr. A47G 23/03
248/346.11
D700,513 S 3/2014 Carsrud
D706,076 S 6/2014 Andersen
D731,239 S * 6/2015 Rothfield D7/392.1
D731,241 S 6/2015 Yessin
D736,560 S 6/2015 Dexter
D742,743 S 11/2015 Thurin
D743,747 S 11/2015 Mariotti

D746,682 S * 1/2016 Trombetta D9/454
D751,381 S 3/2016 Torrison
D754,470 S 4/2016 Rothfield
D766,720 S 9/2016 Ware
D767,329 S 9/2016 Mock
D774,887 S * 12/2016 Torrison D9/416
D784,130 S * 4/2017 Andersen D9/435
D787,888 S * 5/2017 Joseph D7/510
D815,902 S * 4/2018 Guthrie D7/510
D816,500 S * 5/2018 Torrison D9/454
10,022,004 B2 * 7/2018 Taormina A47G 19/23
2007/0158356 A1 * 7/2007 Cunningham A47G 19/2205
220/801
2010/0116698 A1 * 5/2010 Sudhakar B65D 51/2821
206/219
2011/0233226 A1 * 9/2011 Muxo B65D 43/0214
220/796
2012/0091142 A1 * 4/2012 Jamison A47G 19/2211
220/371
2014/0374428 A1 * 12/2014 Watson B65D 7/40
220/780
2016/0152388 A1 * 6/2016 Bartkow B65D 65/02
220/796
2018/0160828 A1 * 6/2018 Turner B65D 23/00
2018/0162611 A1 * 6/2018 Li A47G 19/22

FOREIGN PATENT DOCUMENTS

GB 2460232 11/2009
JP 2014226520 12/2014

OTHER PUBLICATIONS

Drink Tops MOD Tap & Seal Outdoor Silicone Drink Covers, Pack of 4 (Original), posted at Amazon.com, posted on Jul. 16, 2016, site visited Jan. 18, 2017, <https://www.amazon.com/Drink-Tops-Outdoor-Silicone-Original/dp/B01INYYDD6M/ref=pd_day0_79_21?encoding=UTF6&psc=1&refRID=E0FVAFPRCVRPGD8NQFK4>.
Drink Tops Wine Tap & Seal Outdoor Silicone Drink Covers, Pack of 4, posted at Amazon.com, posted on Sep. 12, 2016, site visited Jan. 18, 2017, <https://www.amazon.com/Drink-Tops-Outdoor-Silicone-Covers/dp/B01M11YS8W/ref=pd_sbs_79_37_encoding=UTF8&psc=1&refRID=V4VE9S82Z184TW1A7J2T>.
Drinktops The Outdoor Drink Cover, posted at Coverware.com, no posting date given, © 2016, site visited Jan. 18, 2017, <<https://coverware.com/>>.

* cited by examiner

Fig. 1

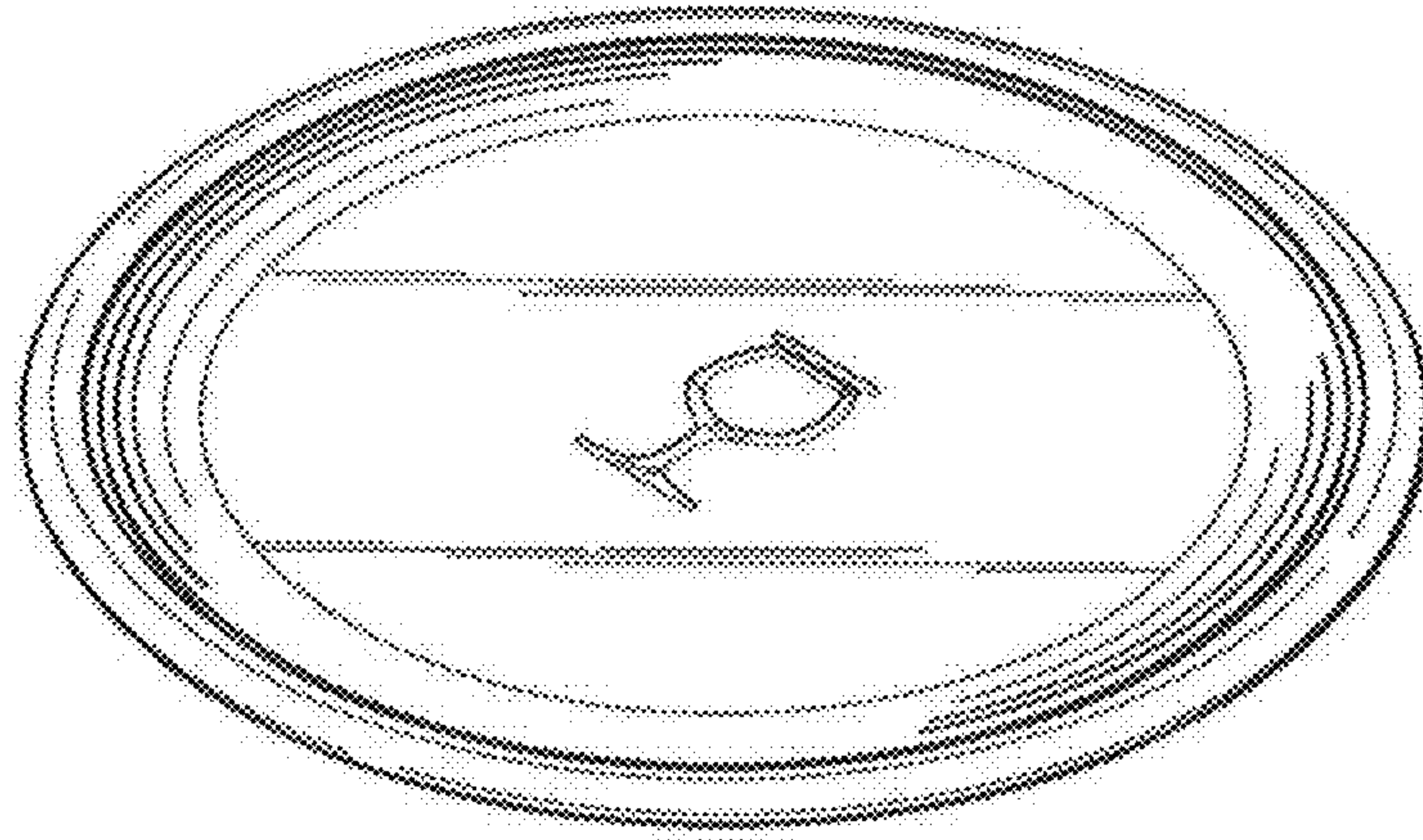


Fig. 2

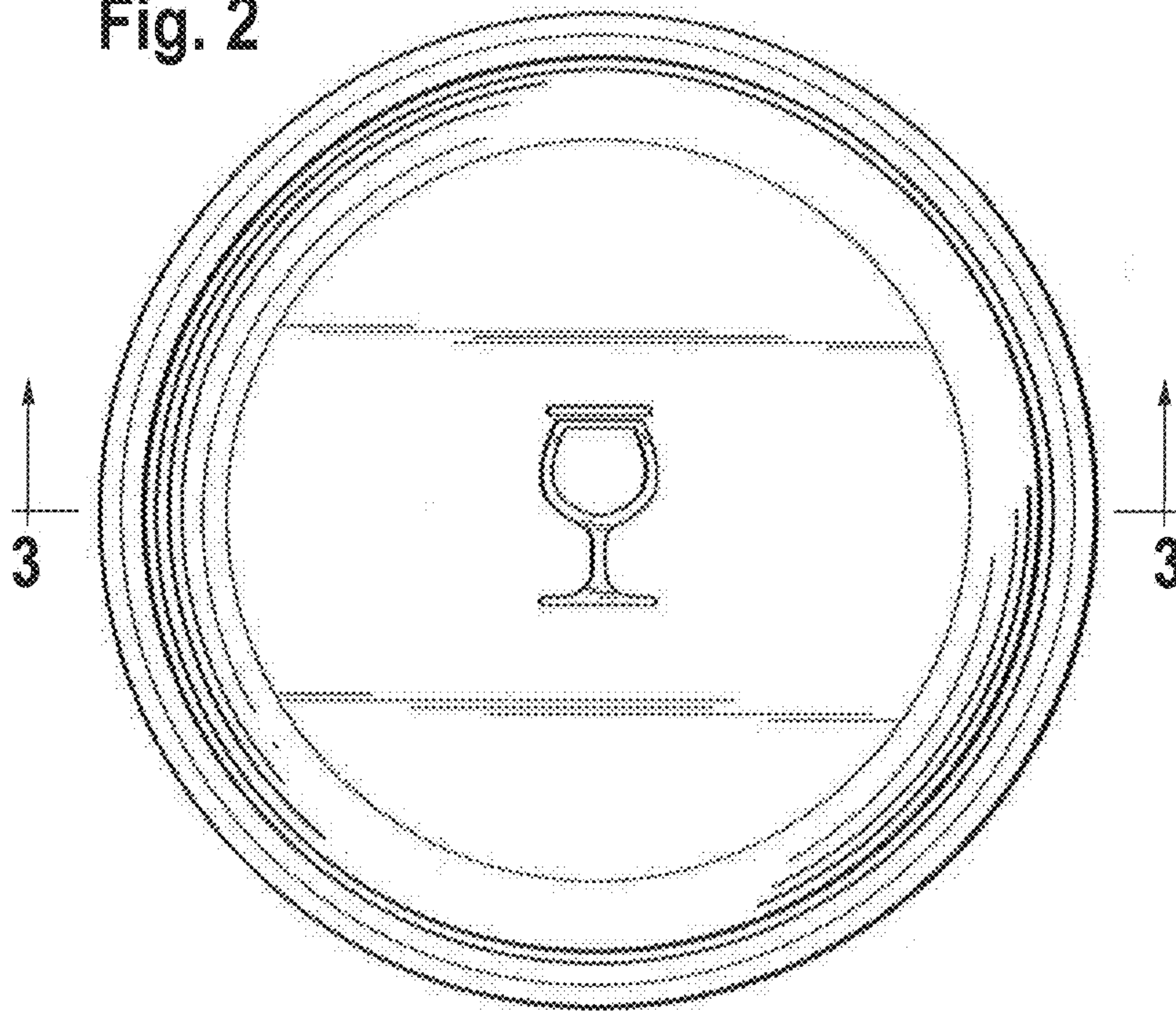


Fig. 3



Fig. 4

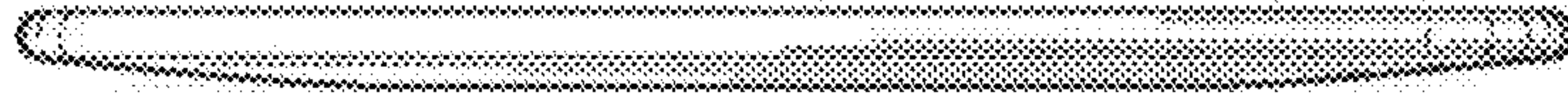


Fig. 5

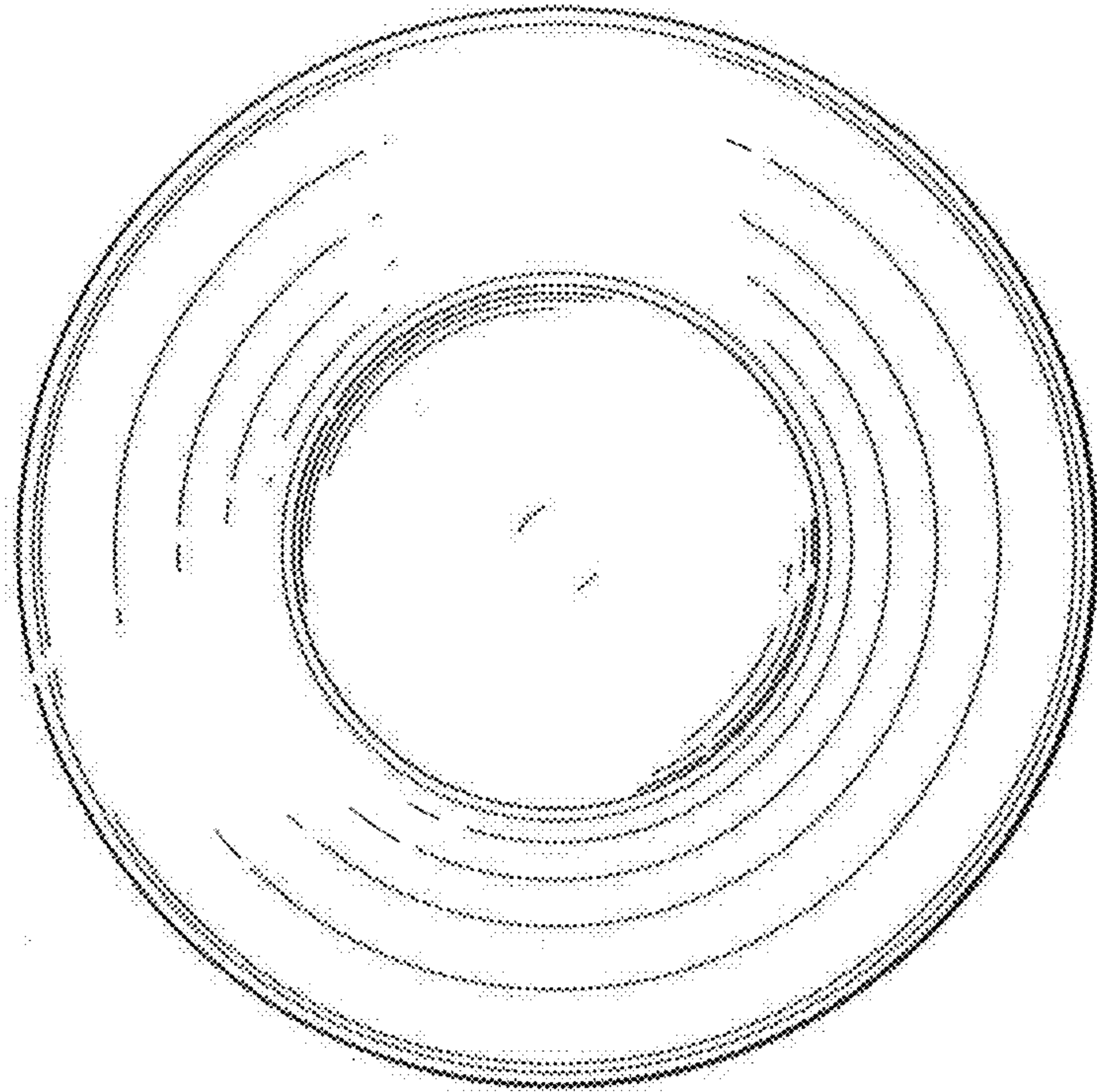


Fig. 6

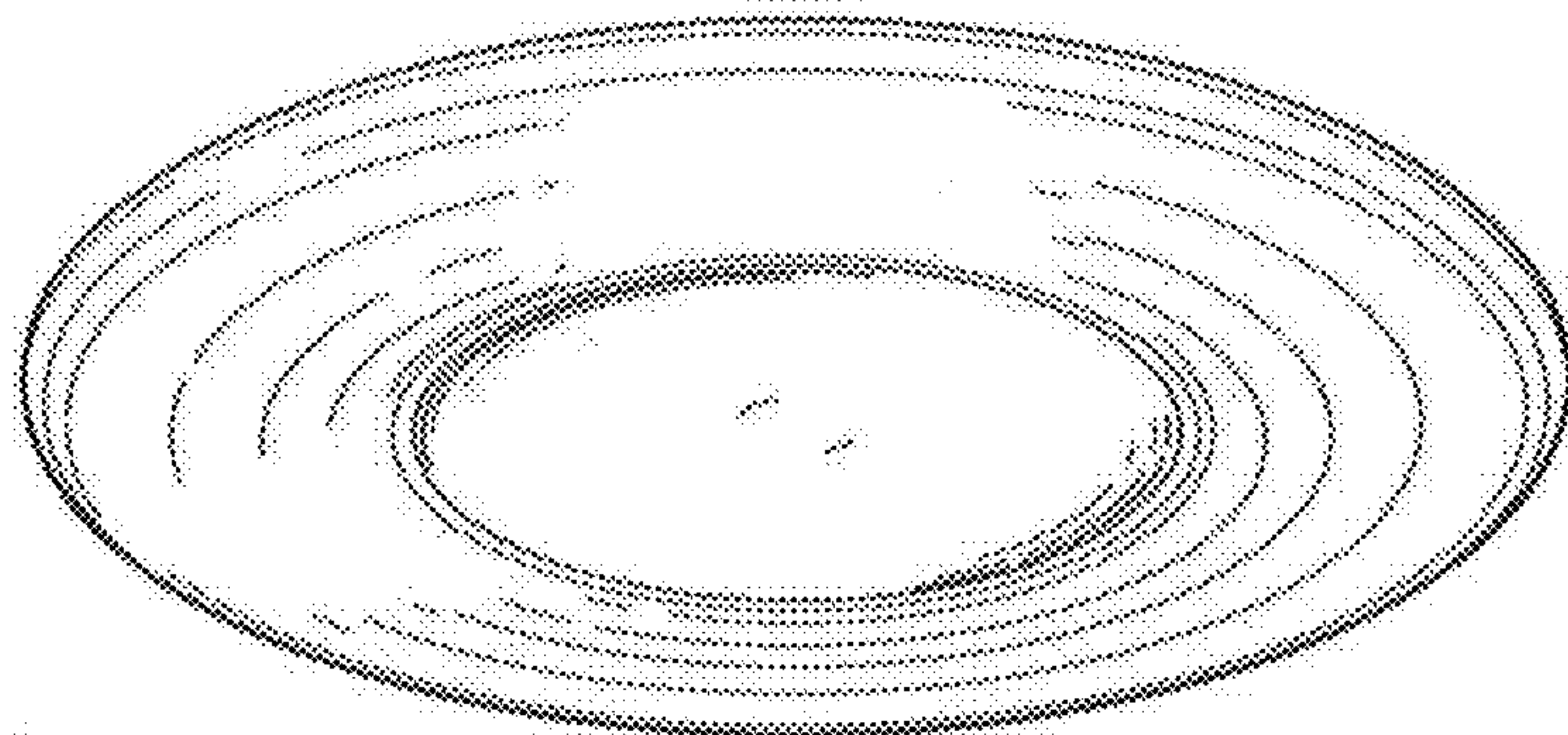


Fig. 7



Fig. 8

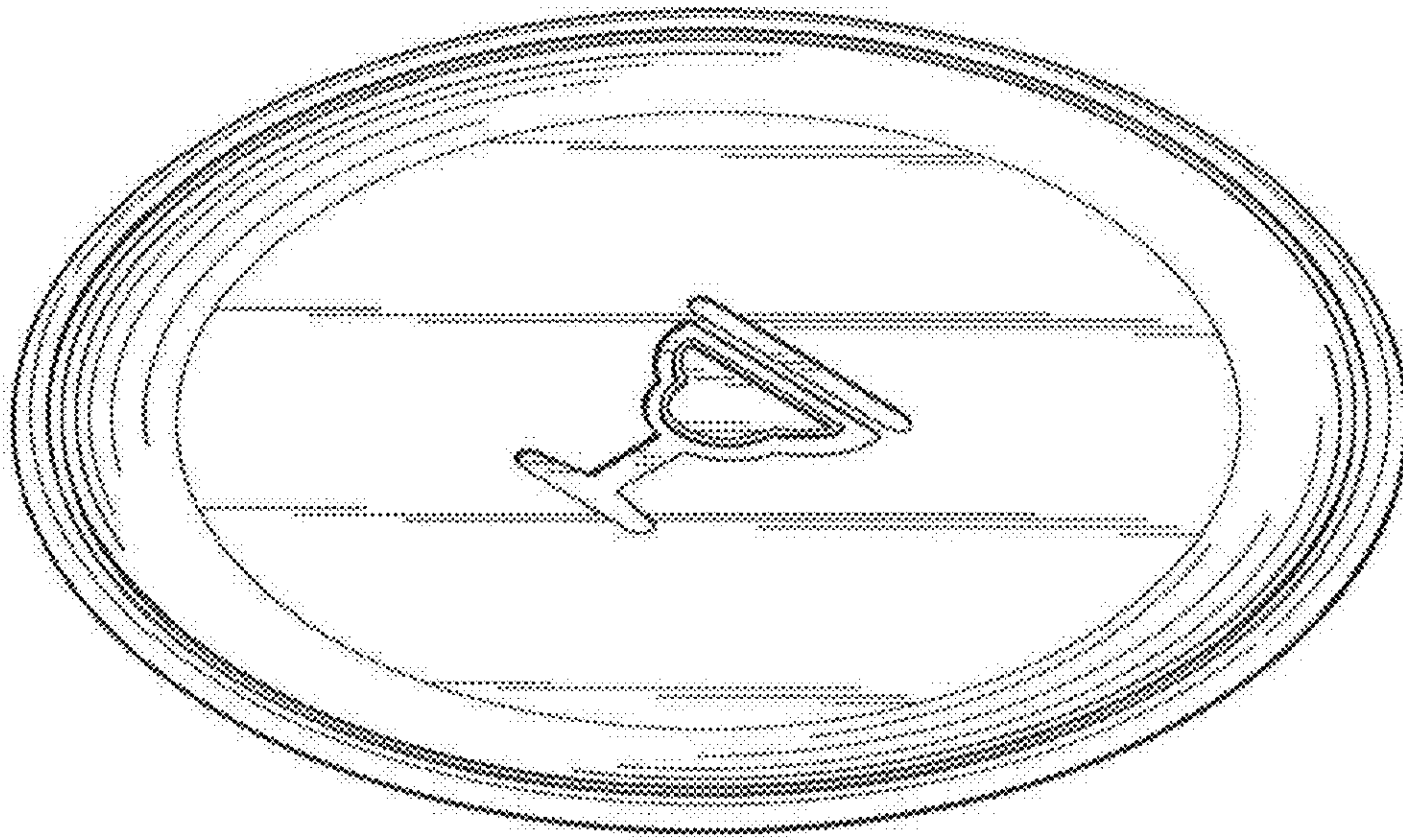


Fig. 9

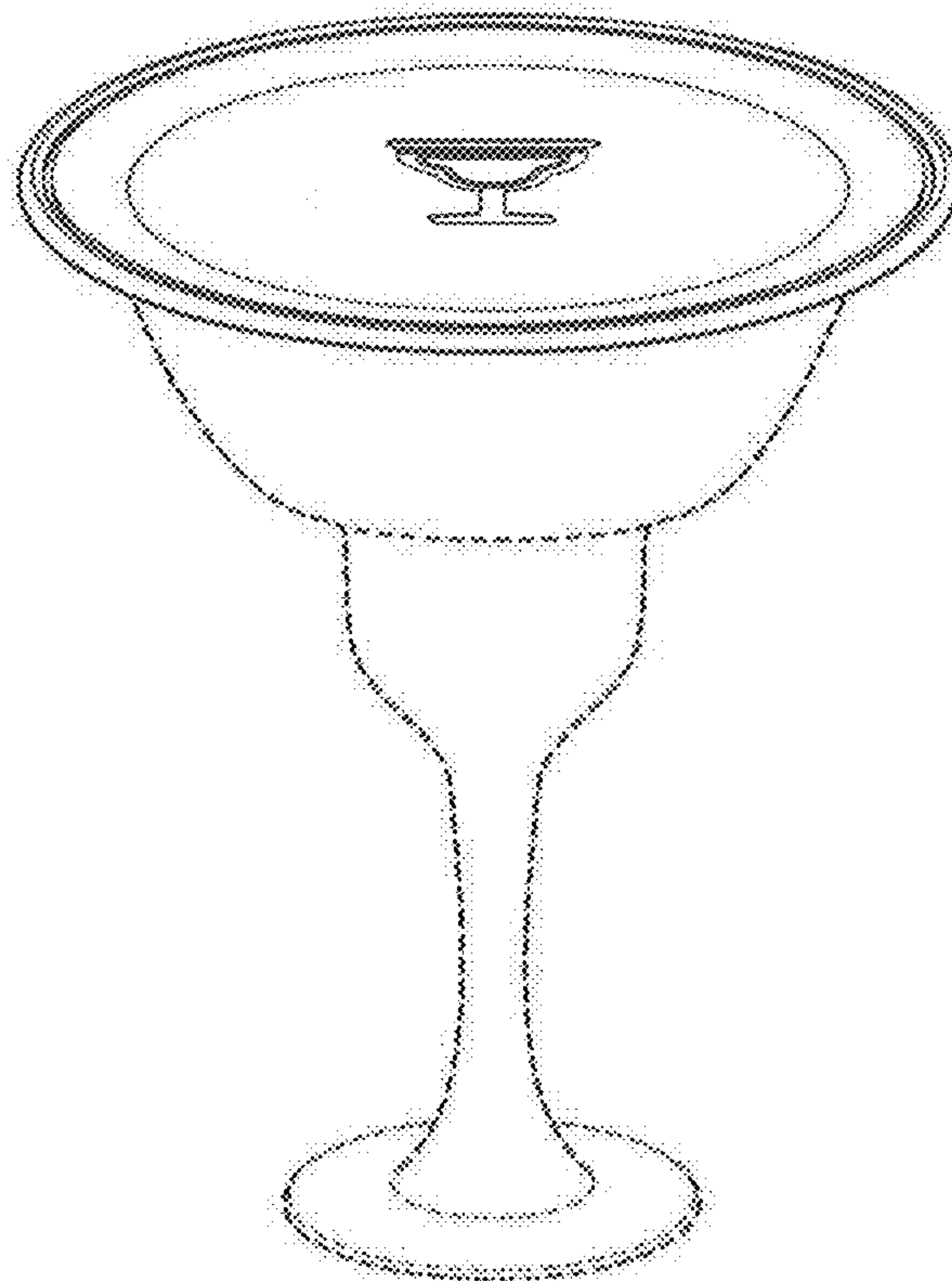


Fig. 10

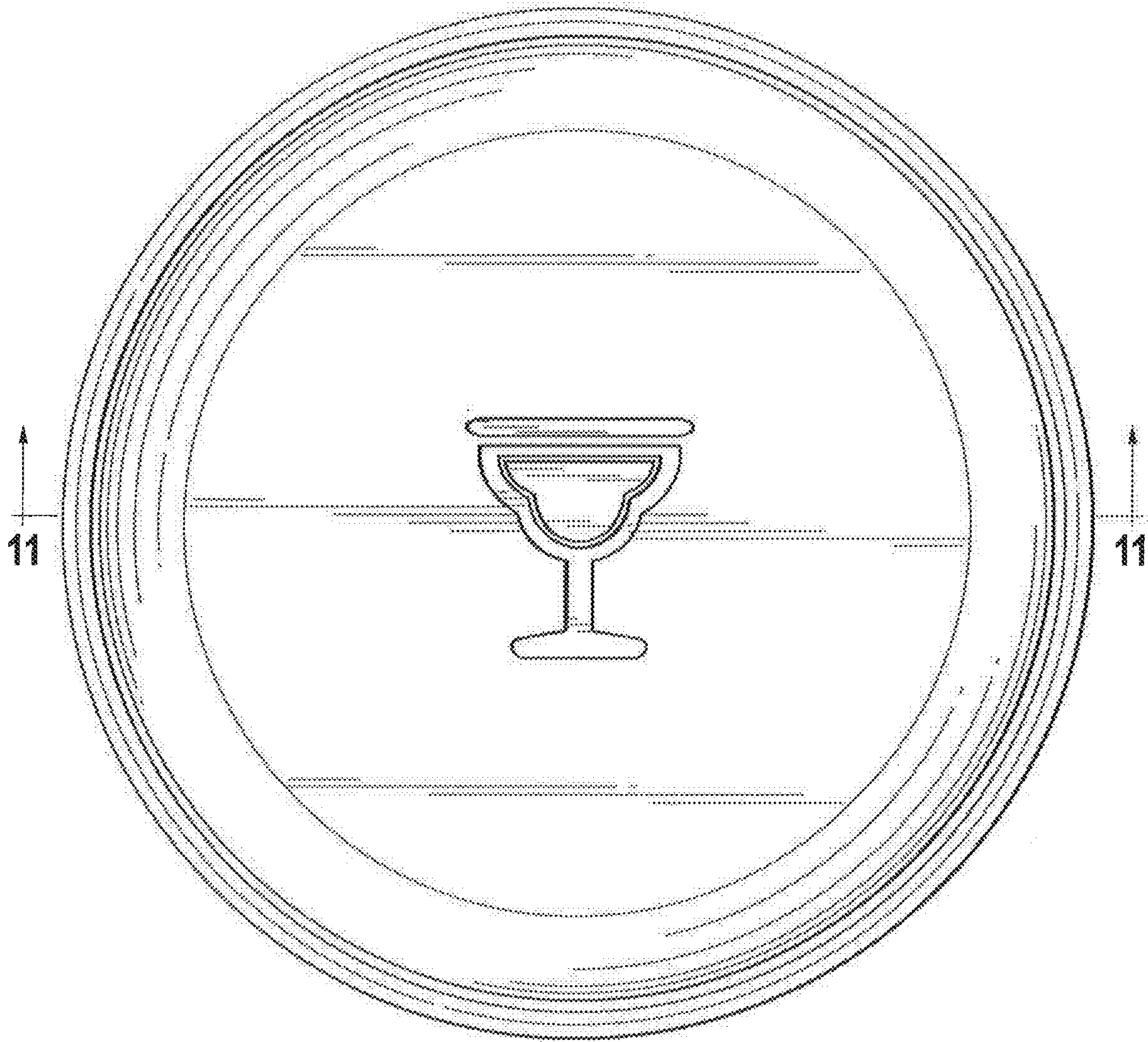


Fig. 11



Fig. 12



Fig. 13

