



US00D850846S

(12) **United States Design Patent**  
**Goodman et al.**

(10) **Patent No.:** **US D850,846 S**

(45) **Date of Patent:** **\*\* Jun. 11, 2019**

- (54) **TRIVET**
- (71) Applicant: **Spectrum Diversified Designs, LLC**,  
Streetsboro, OH (US)
- (72) Inventors: **Aaron Goodman**, Beachwood, OH  
(US); **Courtney Wilson**, Chardon, OH  
(US)
- (73) Assignee: **SPECTRUM DIVERSIFIED  
DESIGNS, LLC**, Streetsboro, OH (US)
- (\*\*) Term: **15 Years**

5,042,397 A *	8/1991	Fiedler	.....	B65D 19/0095
				108/57.18
5,816,172 A *	10/1998	Carter	.....	B65D 19/0095
				108/51.3
D417,816 S *	12/1999	Kari	.....	D7/388
D419,275 S *	1/2000	Carter	.....	D34/38
D419,744 S *	1/2000	Carter	.....	D34/38
D433,782 S *	11/2000	Carter	.....	D34/38
D533,381 S *	12/2006	Snell	.....	D6/536
D722,469 S *	2/2015	Bodum	.....	D7/387
10,118,732 B2 *	11/2018	Segerstrom	.....	B65D 19/38
2011/0303128 A1 *	12/2011	Linares	.....	B65D 19/0012
				108/51.3
2015/0321792 A1 *	11/2015	Joung	.....	B65D 19/38
				108/57.25

- (21) Appl. No.: **29/589,919**
- (22) Filed: **Jan. 5, 2017**
- (51) **LOC (11) Cl.** ..... **07-99**
- (52) **U.S. Cl.**  
USPC ..... **D7/388**
- (58) **Field of Classification Search**  
USPC ..... D7/388, 409; D34/38; D6/536  
CPC ..... A47J 37/00; F24C 15/16  
See application file for complete search history.

\* cited by examiner

*Primary Examiner* — Marianne N Pandozzi  
(74) *Attorney, Agent, or Firm* — Tucker Ellis LLP

(57) **CLAIM**

The ornamental design for a trivet, as shown and described.

**DESCRIPTION**

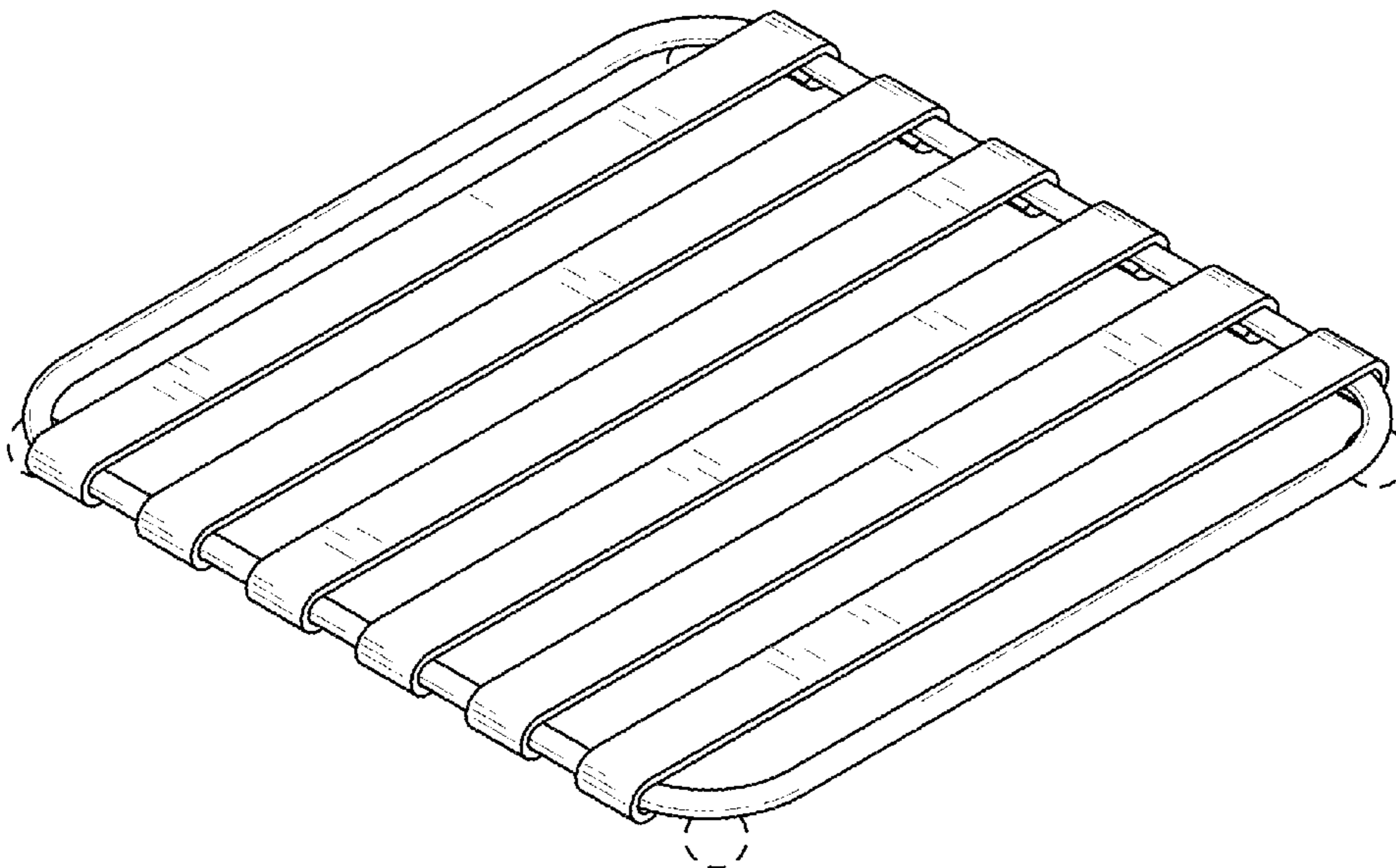
FIG. 1 is a perspective view of a trivet showing our new design.  
 FIG. 2 is a front view thereof, a rear view being the same as the front view.  
 FIG. 3 is a right side view thereof, a left side view being the same as the right side view.  
 FIG. 4 is a top view thereof; and,  
 FIG. 5 is a bottom view thereof.  
 The broken lines in the drawing depict portions of the trivet that form no part of the claimed design.

(56) **References Cited**

U.S. PATENT DOCUMENTS

D188,431 S *	7/1960	Quistgaard	.....	D7/388
3,654,877 A *	4/1972	Barrett	.....	B65D 19/0095
				108/56.1
D256,007 S *	7/1980	Chillog	.....	D34/38
D267,386 S *	12/1982	Kneale, III	.....	D34/38
4,597,339 A *	7/1986	McCaffrey	.....	B65D 19/0095
				104/135

**1 Claim, 4 Drawing Sheets**



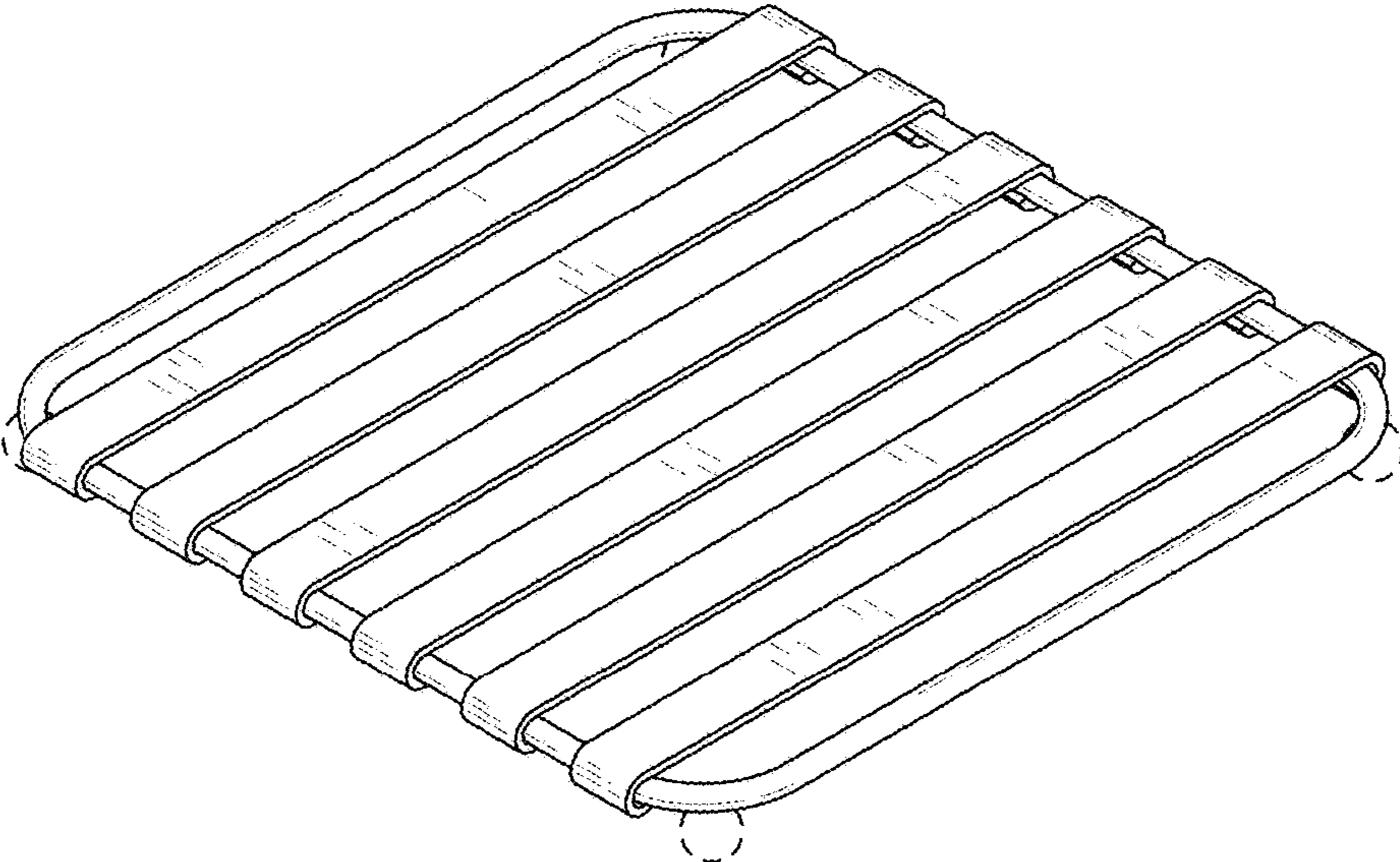


FIG. 1

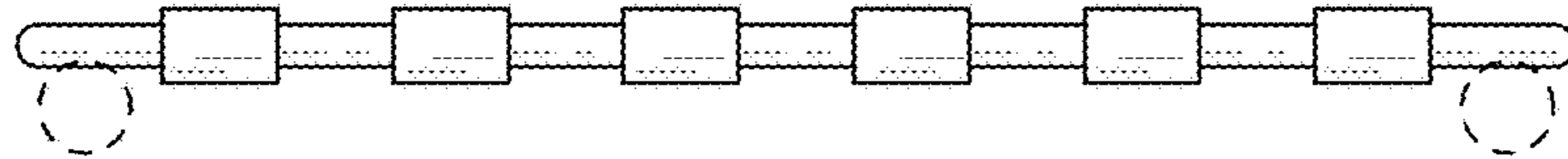


FIG. 2

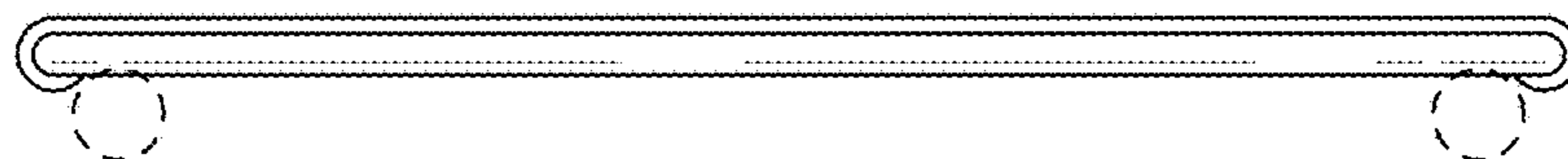


FIG. 3

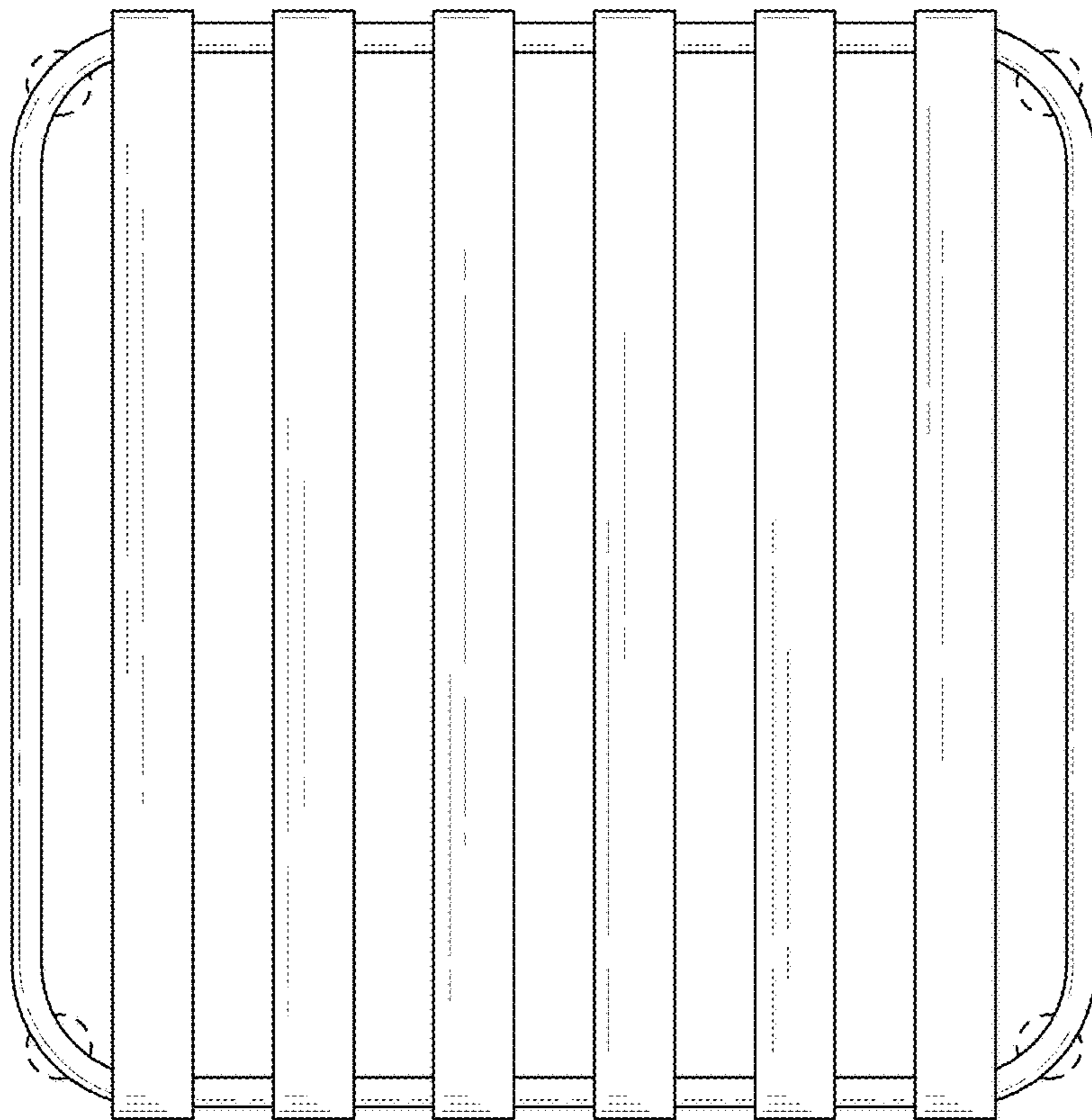


FIG. 4

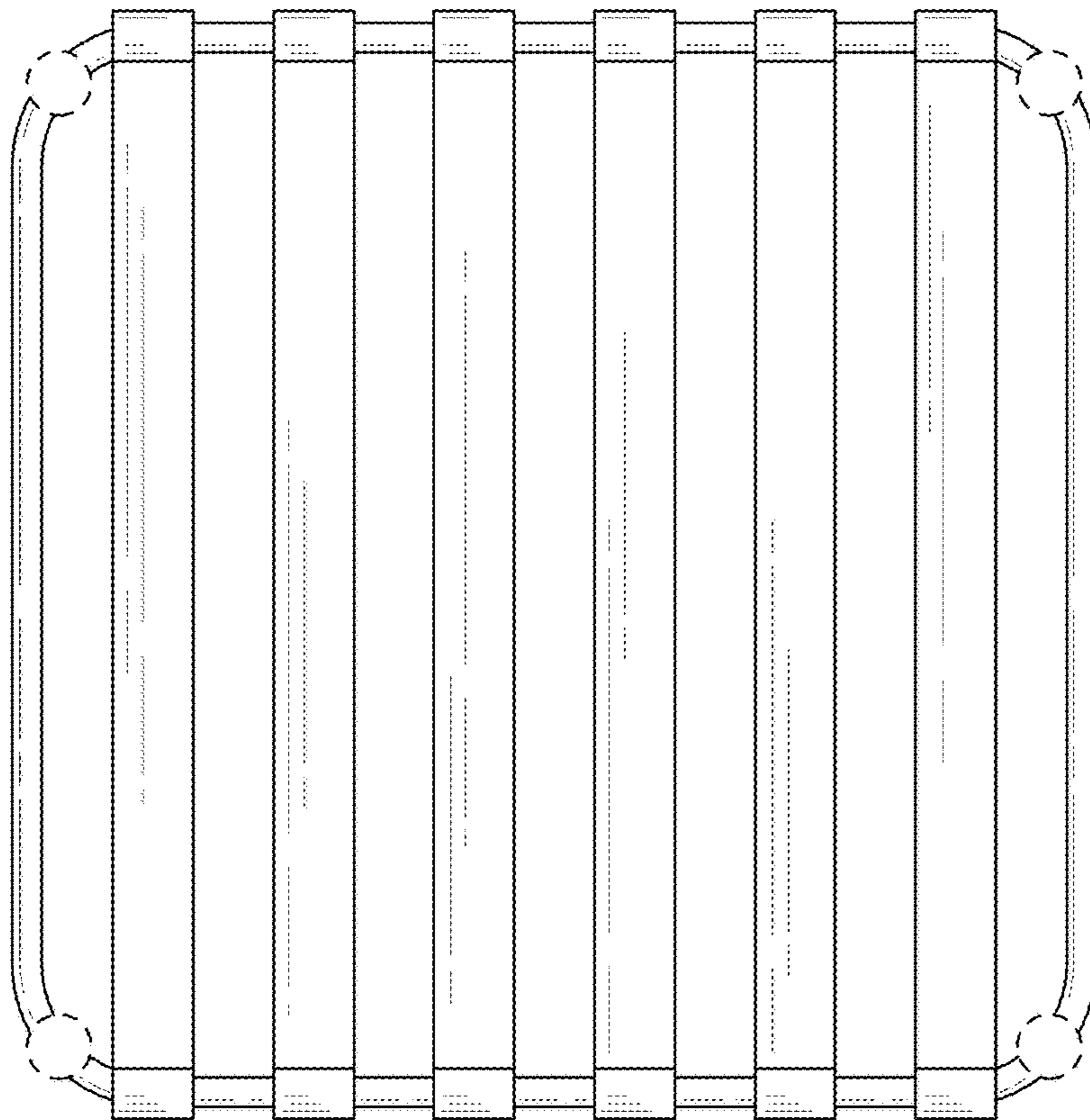


FIG. 5