



US00D850845S

(12) **United States Design Patent** (10) **Patent No.:** **US D850,845 S**
Pan (45) **Date of Patent:** **** Jun. 11, 2019**

(54) **FOOD PROCESSOR**

(71) Applicant: **Shenzhen Showmeplus Fashion Technology Co., Ltd.**, Shenzhen, Guangdong (CN)

(72) Inventor: **Honghui Pan**, Guangdong (CN)

(73) Assignee: **SHENZHEN SHOWMEPLUS FASHION TECHNOLOGY CO., LTD.**, Shenzhen, Guangdong (CN)

(**) Term: **15 Years**

(21) Appl. No.: **29/640,712**

(22) Filed: **Mar. 16, 2018**

(30) **Foreign Application Priority Data**

Nov. 3, 2017 (CN) 2017 3 0537856

(51) **LOC (11) Cl.** **31-00**

(52) **U.S. Cl.**
USPC **D7/378; D7/376; D7/384; D7/386; D7/412**

(58) **Field of Classification Search**

USPC D7/372, 376-386, 412-413, 602, 629, D7/665-666, 669, 679, 693-694; D15/82
CPC A21C 1/02; A21C 1/04; A23N 1/00; A23N 1/02; A47J 36/2433; A47J 42/08; A47J 43/04; A47J 43/25; A47J 43/27; A47J 43/042; A47J 43/044; A47J 43/046; A47J 43/075; A47J 43/0722; A47J 43/0727; A63H 33/30; B01F 3/00; B01F 3/0807; B01F 3/0853; B01F 13/0059; B01F 13/0064; B02C 1/08; B02C 2/04; B02C 4/42; B02C 4/142; B02C 4/143; B02C 4/423; B02C 13/1835; B28C 5/10; B28C 5/12; B28C 5/14; B28C 5/16

See application file for complete search history.

(56) **References Cited**

U.S. PATENT DOCUMENTS

2,604,573	A *	7/1952	Baile	A47J 36/2433	219/473
2,843,719	A *	7/1958	Smith	A47J 36/2433	219/429
3,805,440	A *	4/1974	Becker	A63H 33/30	446/418
D234,319	S *	2/1975	Knight	D15/82	
D518,994	S *	4/2006	Lin	D7/378	
D549,043	S *	8/2007	Beesley	D7/374	
D603,215	S *	11/2009	Hollinger	D7/378	
D670,958	S *	11/2012	Picozza	D7/376	
D678,008	S *	3/2013	May	D7/679	
D782,866	S *	4/2017	Suess	D7/376	
D793,803	S *	8/2017	Patel	D7/376	
2002/0117566	A1 *	8/2002	Cheng	A47J 42/08	241/169.1
2016/0220071	A1 *	8/2016	Hewitt	A47J 43/0727	

* cited by examiner

Primary Examiner — Ricky Pham

(74) *Attorney, Agent, or Firm* — Muncy, Geissler, Olds & Lowe, P.C.

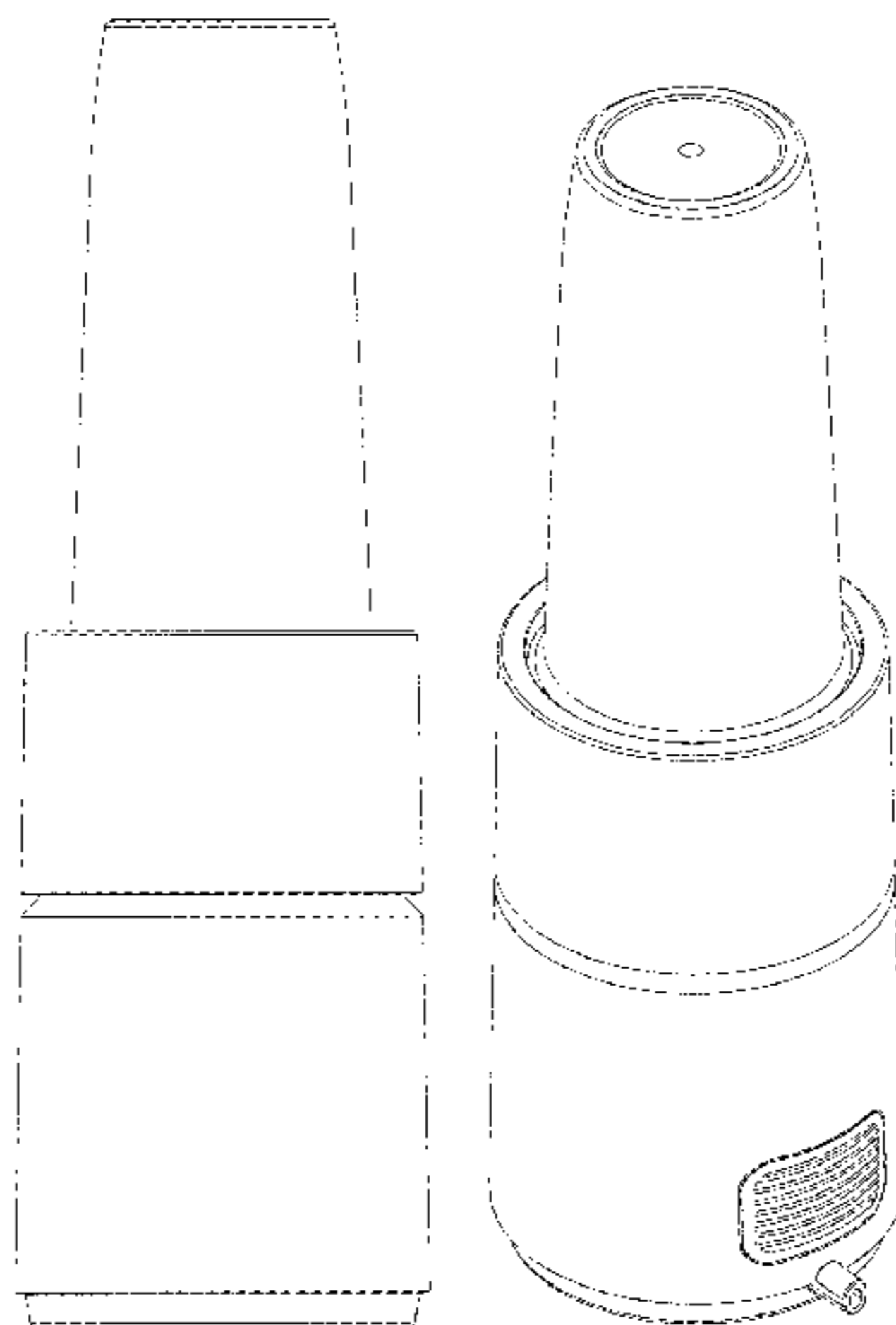
(57) **CLAIM**

The ornamental design for a food processor, as shown and described.

DESCRIPTION

FIG. 1 is a front elevational view of a food processor showing my new design;
FIG. 2 is a rear elevational view thereof;
FIG. 3 is a right side elevational view thereof;
FIG. 4 is a left side elevational view thereof;
FIG. 5 is a bottom plan view thereof;
FIG. 6 is a top plan view thereof;
FIG. 7 is a top, front, right perspective view thereof;
FIG. 8 is a top, rear, right perspective view thereof; and,
FIG. 9 is a bottom, rear, right perspective view thereof.

1 Claim, 9 Drawing Sheets



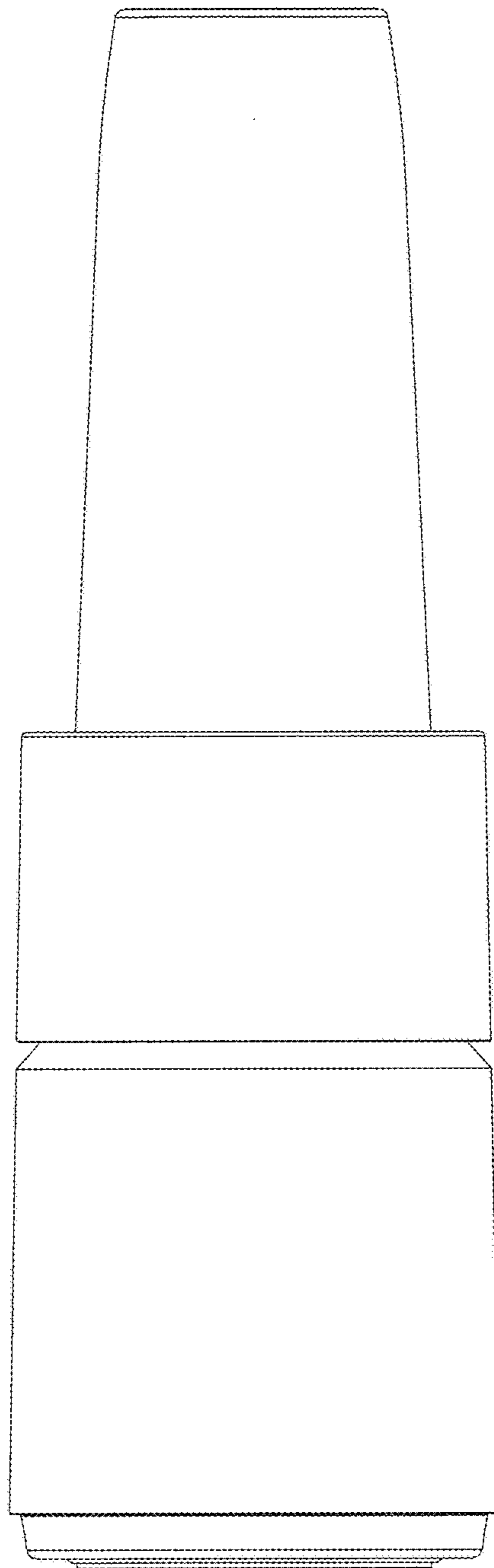


FIG. 1

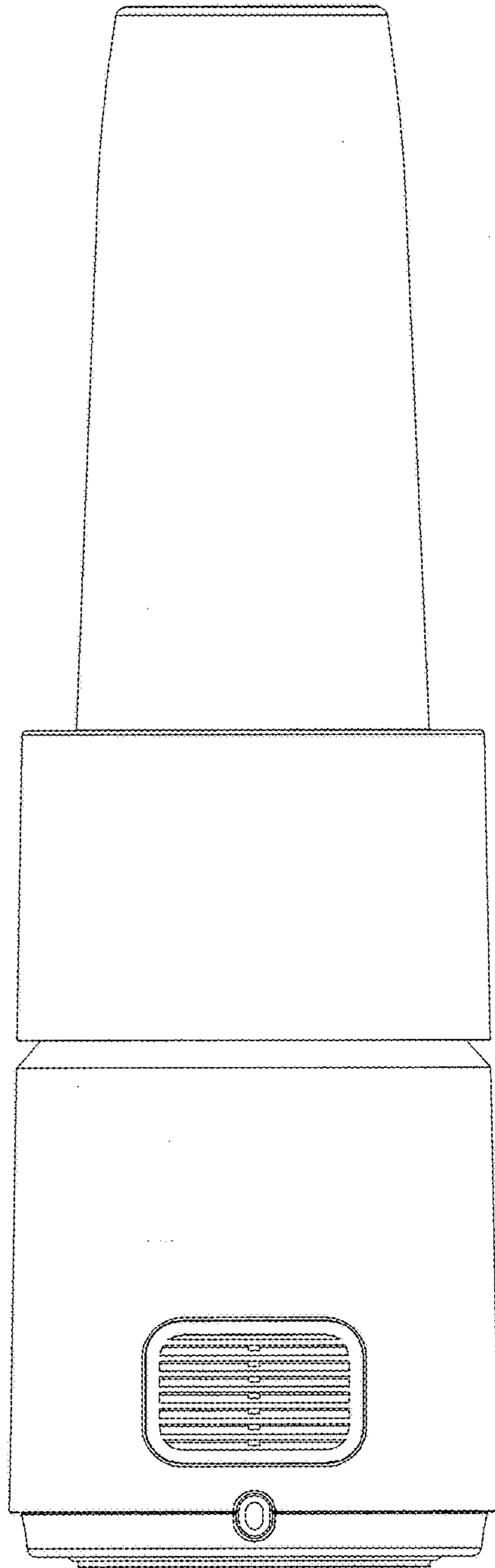


FIG. 2

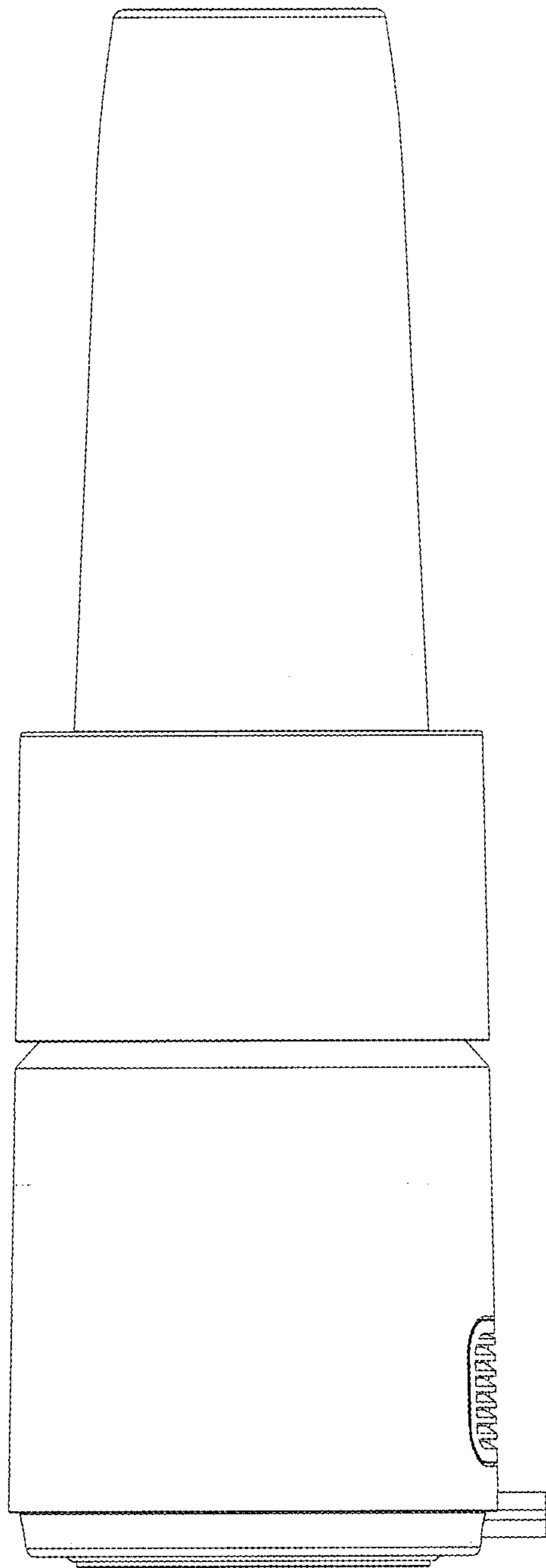


FIG. 3

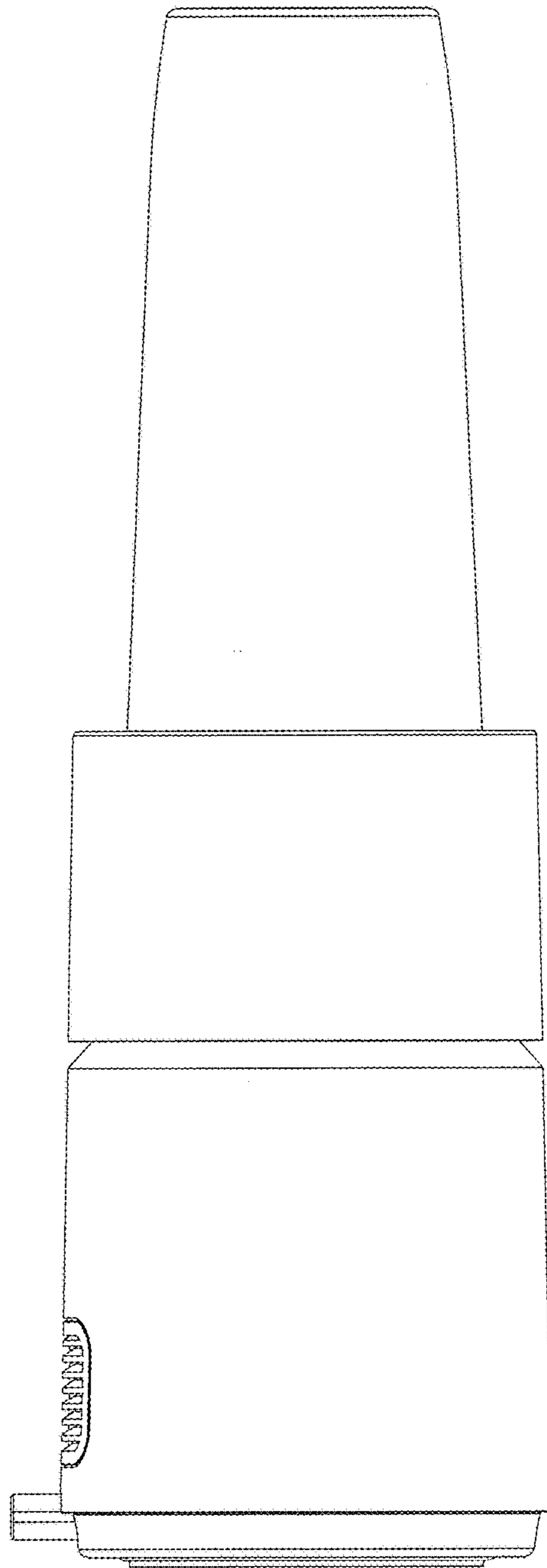


FIG. 4

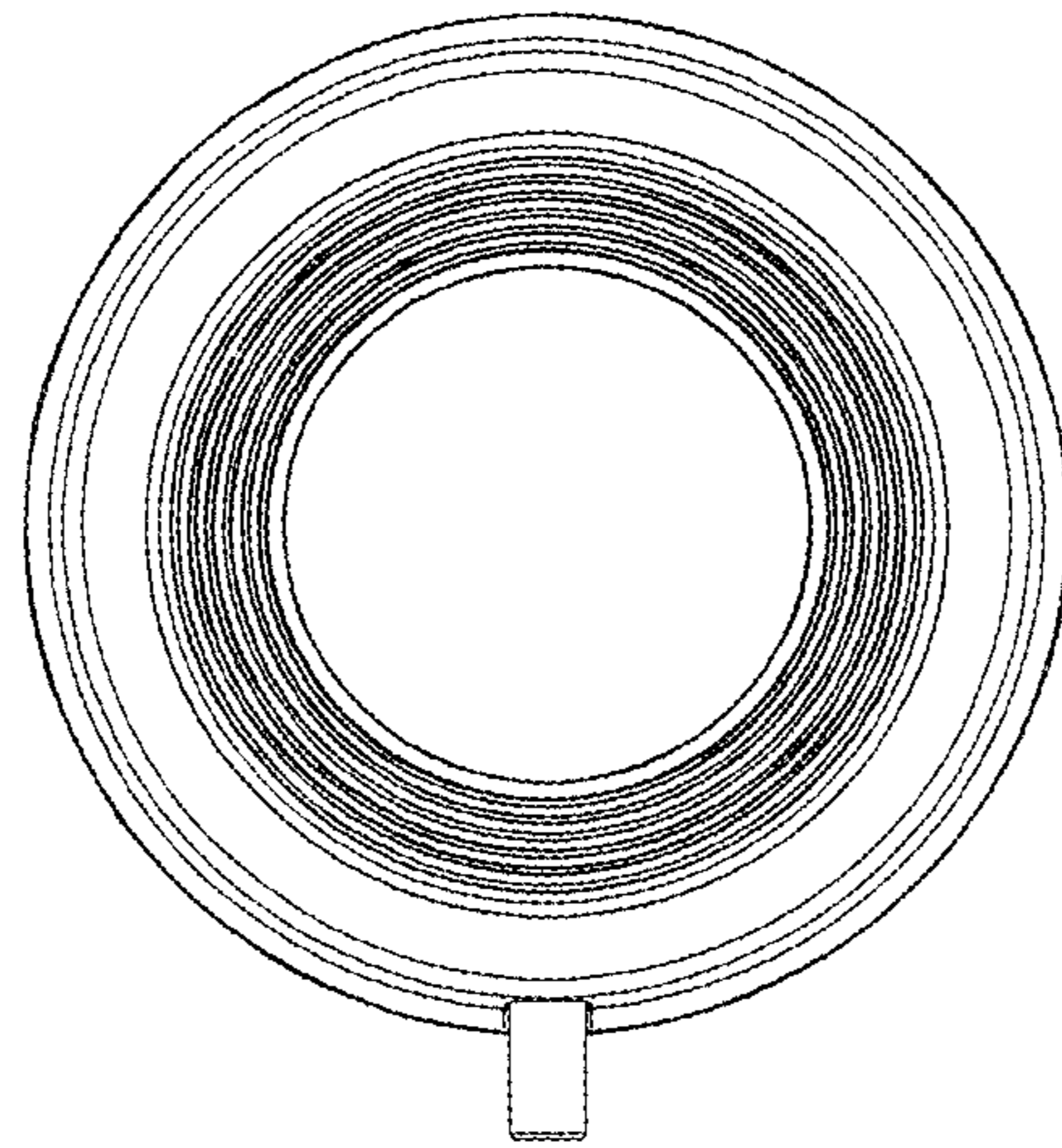


FIG. 5

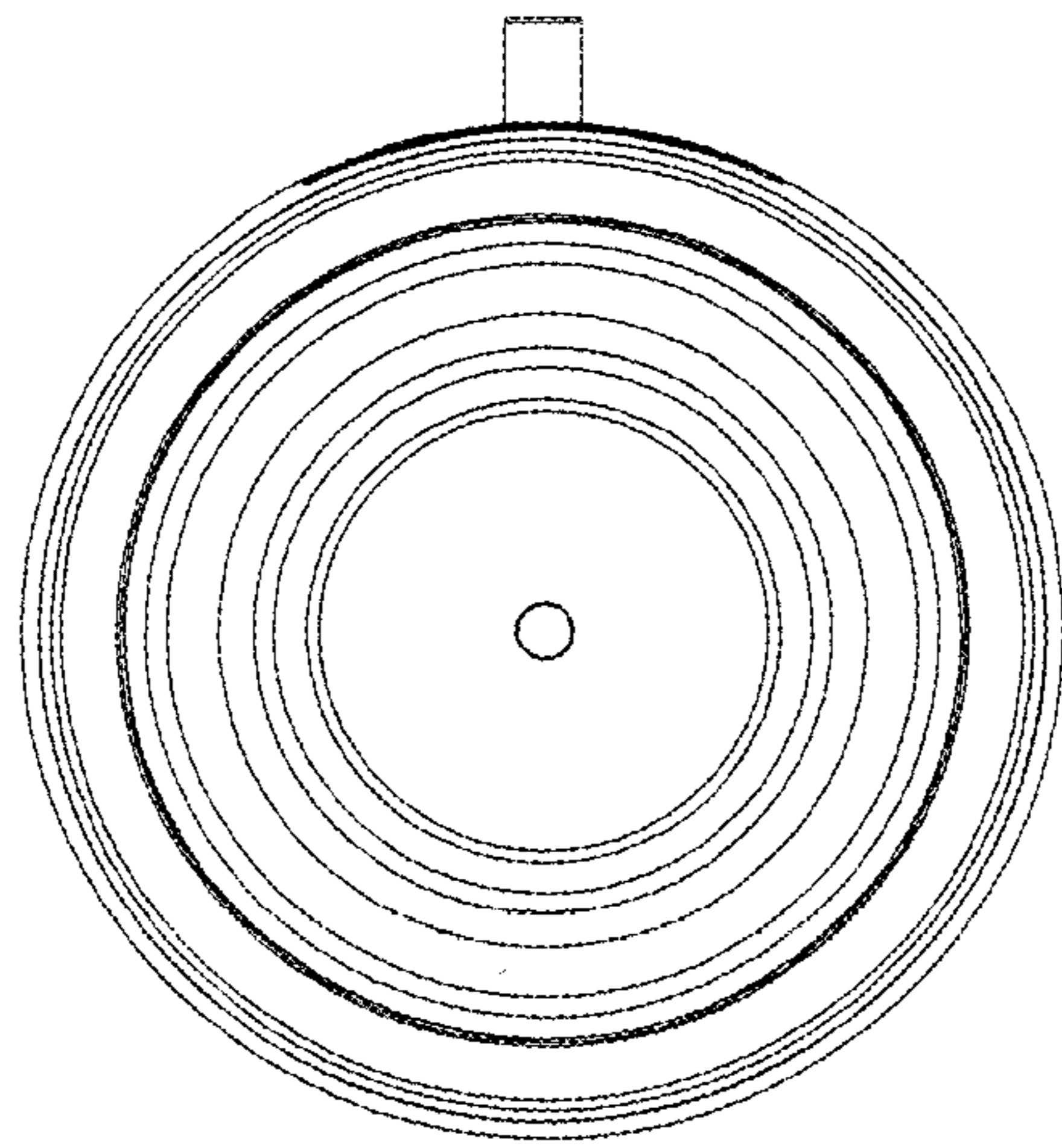


FIG. 6

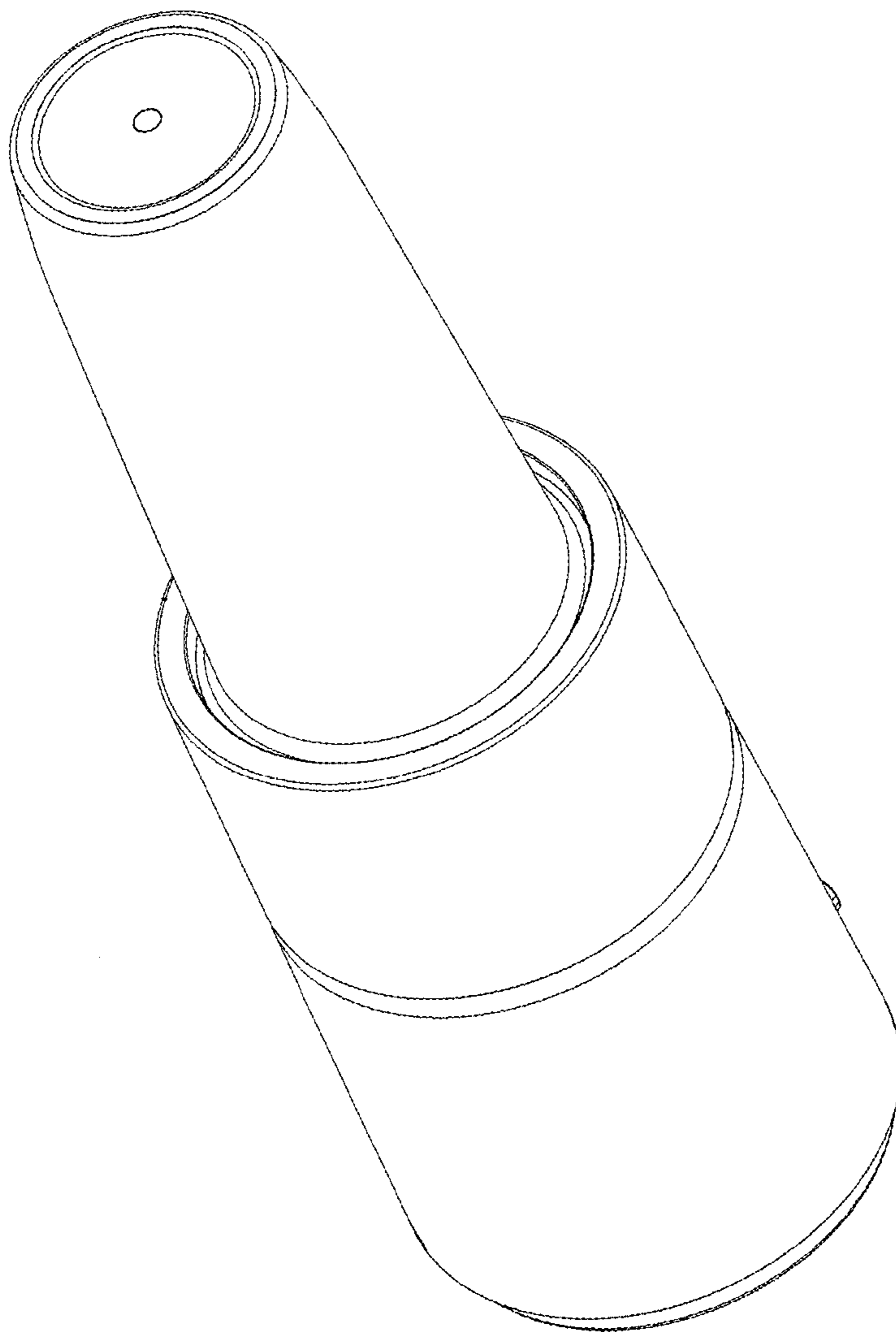


FIG. 7

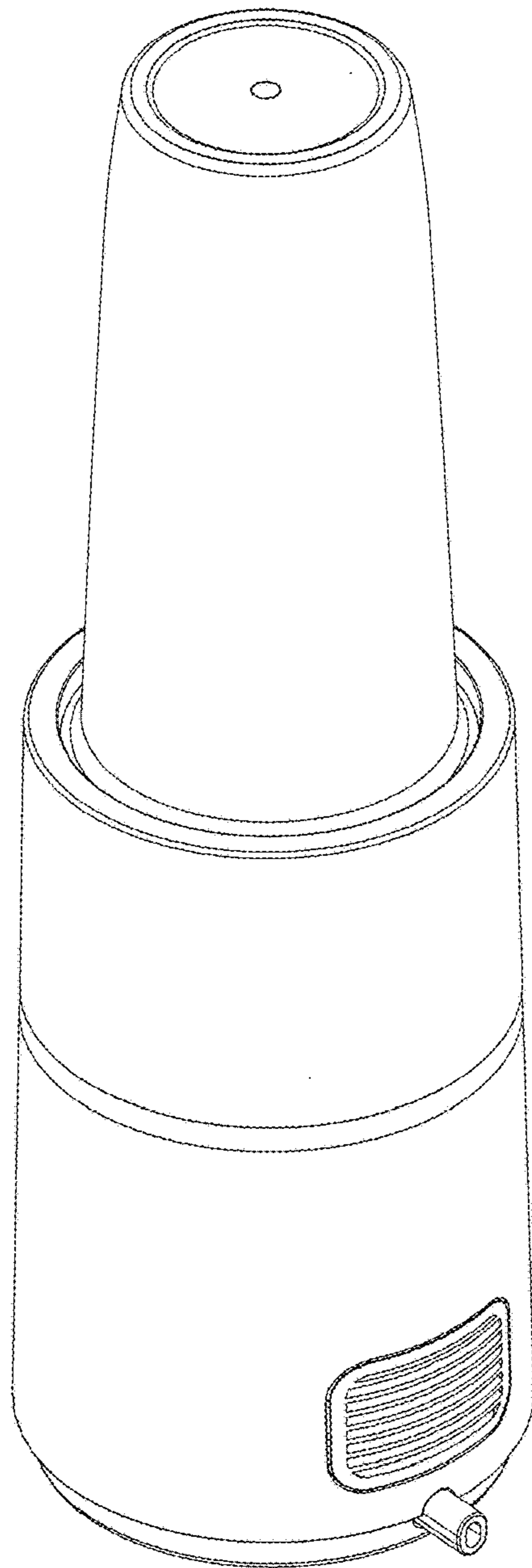


FIG. 8

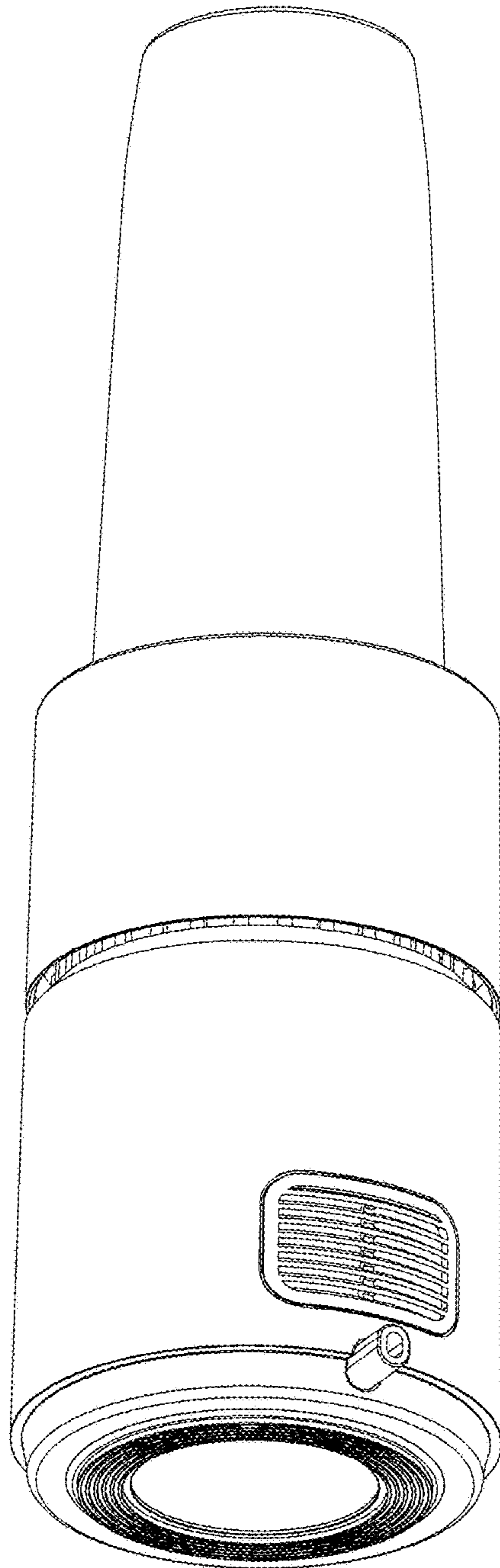


FIG. 9