



US00D850844S

(12) **United States Design Patent**
Yang et al.

(10) **Patent No.:** **US D850,844 S**
(45) **Date of Patent:** **** Jun. 11, 2019**

- (54) **SOUS VIDE COOKING STICK**
- (71) Applicants: **Lin Yang**, Shenzhen (CN); **Hai Yang**, Shenzhen (CN)
- (72) Inventors: **Lin Yang**, Shenzhen (CN); **Hai Yang**, Shenzhen (CN)
- (**) Term: **15 Years**
- (21) Appl. No.: **29/633,863**
- (22) Filed: **Jan. 16, 2018**
- (51) **LOC (11) Cl.** **31-00**
- (52) **U.S. Cl.**
USPC **D7/368; D7/323**
- (58) **Field of Classification Search**
USPC D7/368, 323, 379
CPC A47J 27/10; A47J 36/32; A47J 36/2405;
A47J 27/004; A23L 5/13
See application file for complete search history.

2015/0150403 A1* 6/2015 Wu A47J 36/32
99/344
2018/0255957 A1* 9/2018 Wu A23L 5/13
* cited by examiner

Primary Examiner — Terry A Wallace
(74) *Attorney, Agent, or Firm* — Law Offices of James Zhou; Jianmin Zhou

(57) **CLAIM**

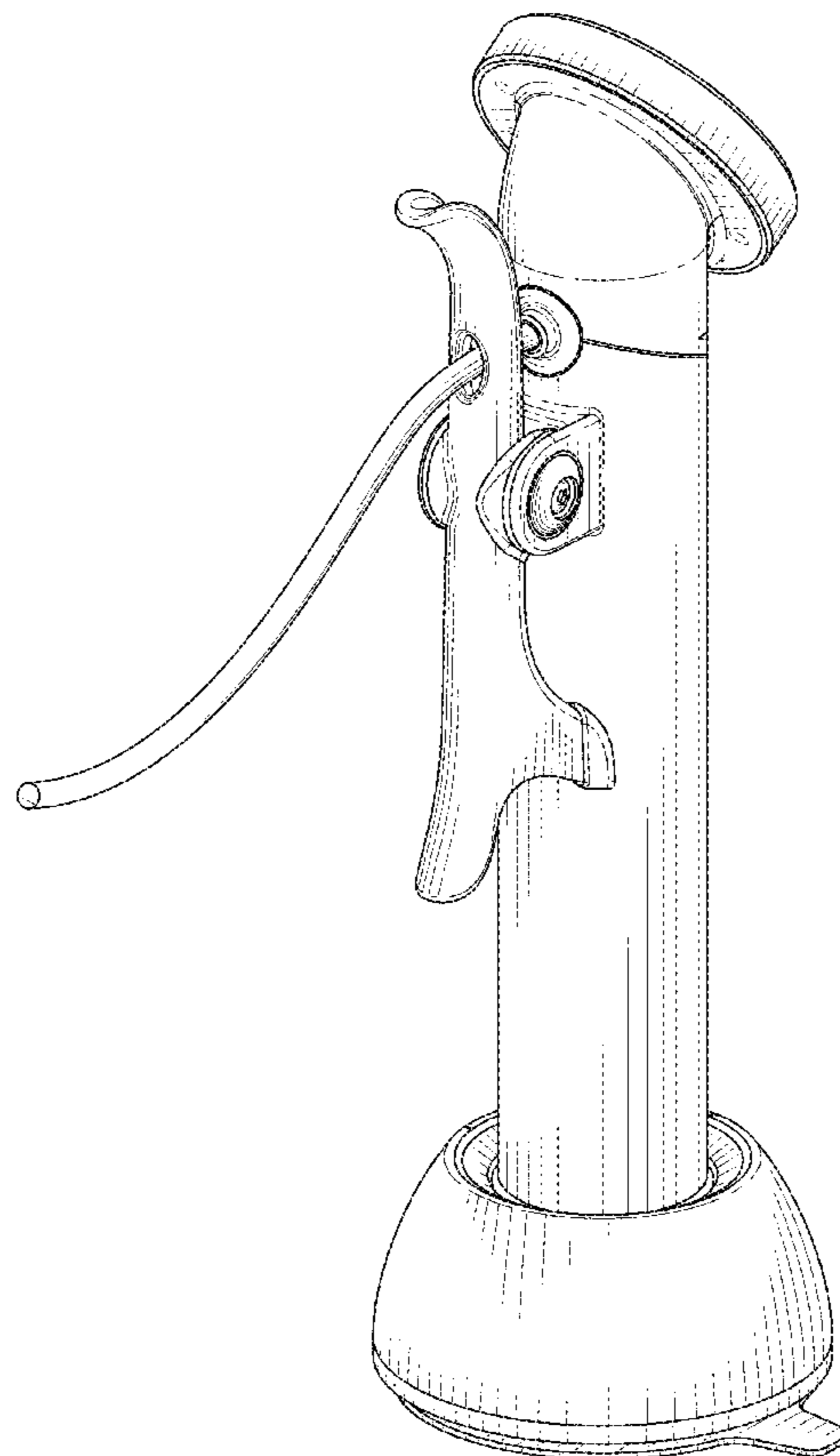
The ornamental design for a sous vide cooking stick, as shown and described.

DESCRIPTION

FIG. 1 is a left upper perspective view of a sous vide cooking stick design showing our new design.
 FIG. 2 is a right lower perspective view of a sous vide cooking stick.
 FIG. 3 is a front view of a sous vide cooking stick.
 FIG. 4 is a rear view of a sous vide cooking stick.
 FIG. 5 is a left side view of a sous vide cooking stick.
 FIG. 6 is a right side view of a sous vide cooking stick.
 FIG. 7 is a top view of a sous vide cooking stick; and,
 FIG. 8 is a bottom view of a sous vide cooking stick.
 Any shading and cross-hatching are not features of the design but are utilized to illustrate the surface contours of the sous vide cooking stick design in the drawings.

- (56) **References Cited**
U.S. PATENT DOCUMENTS
2013/0220143 A1* 8/2013 Fetterman A47J 36/2405
99/330
2015/0082996 A1* 3/2015 Wu A47J 27/10
99/342

1 Claim, 8 Drawing Sheets



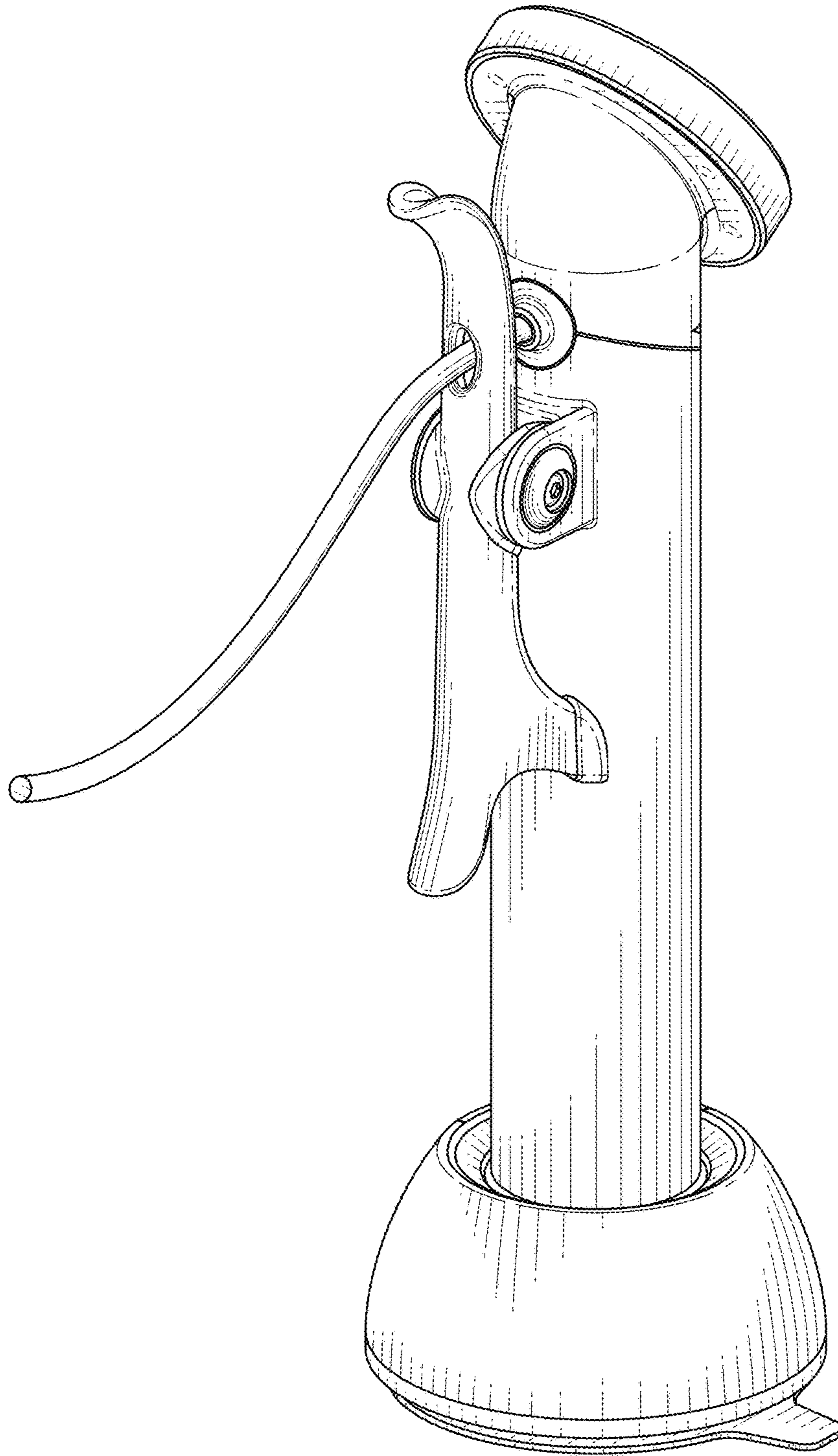


FIG. 1

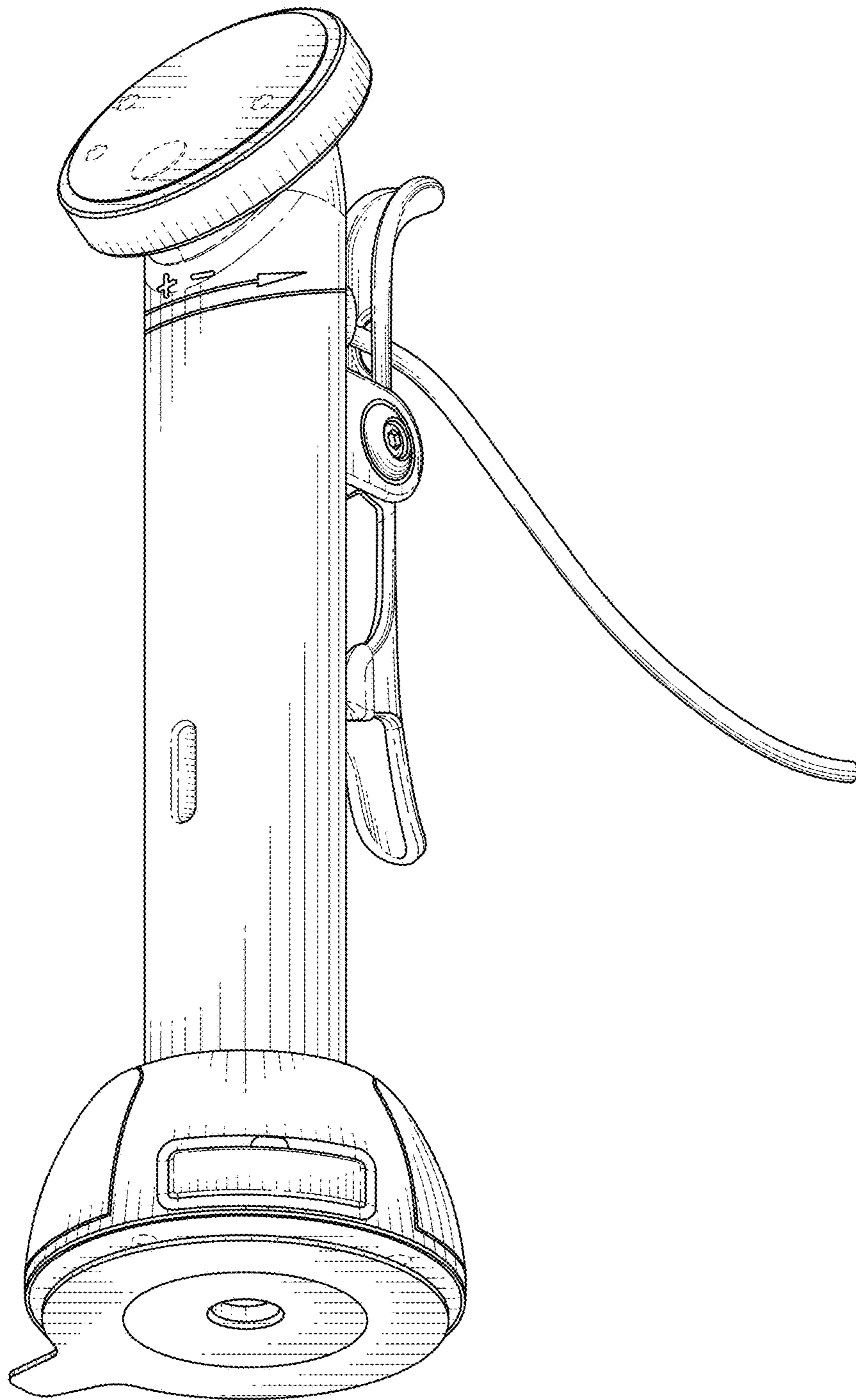


FIG. 2

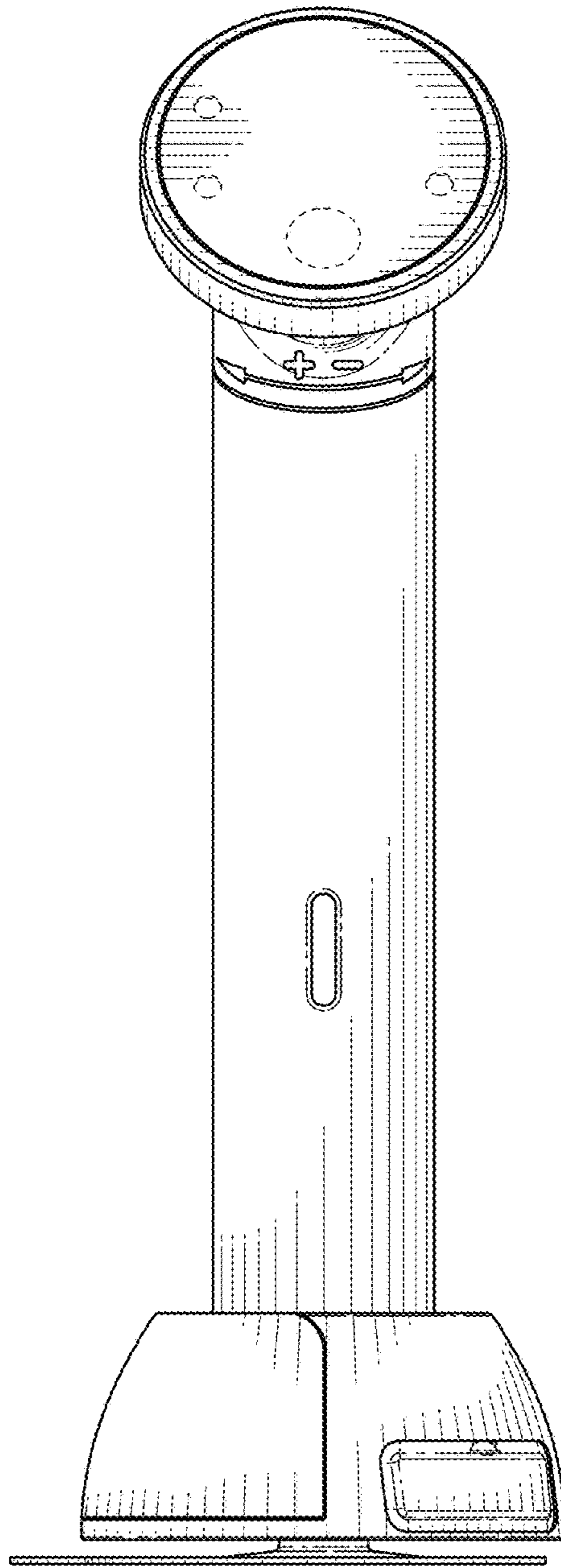


FIG. 3

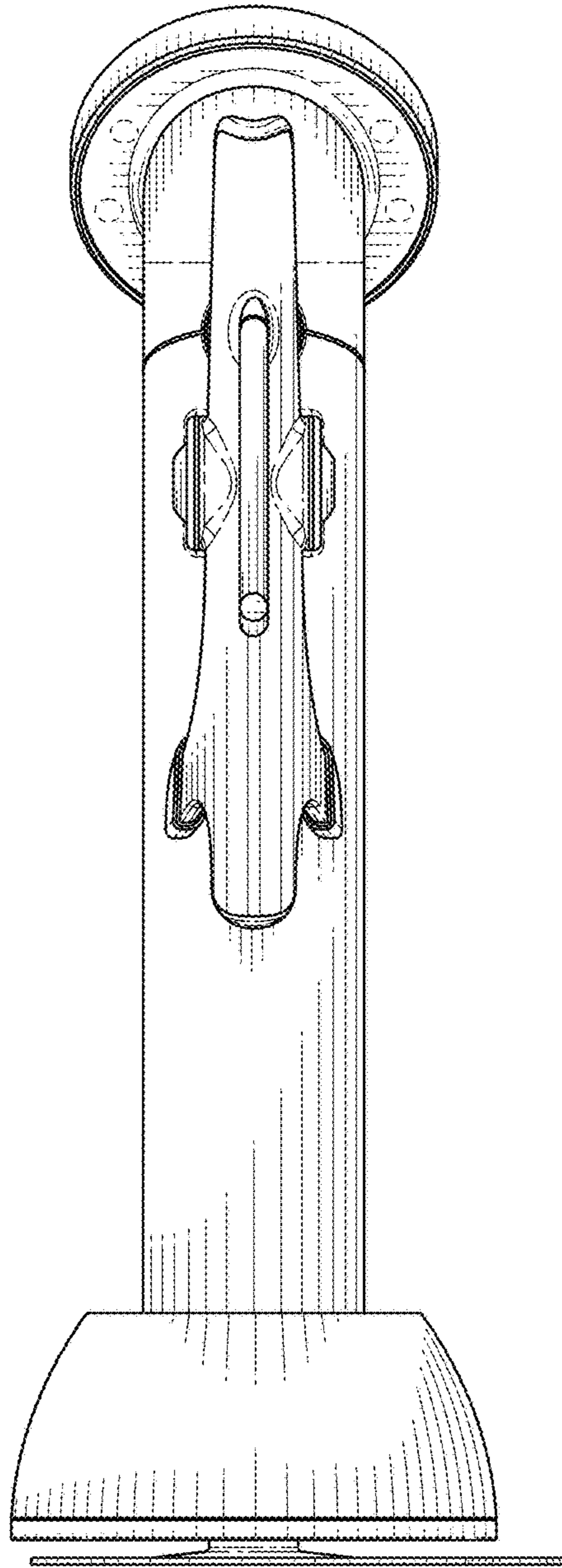


FIG. 4

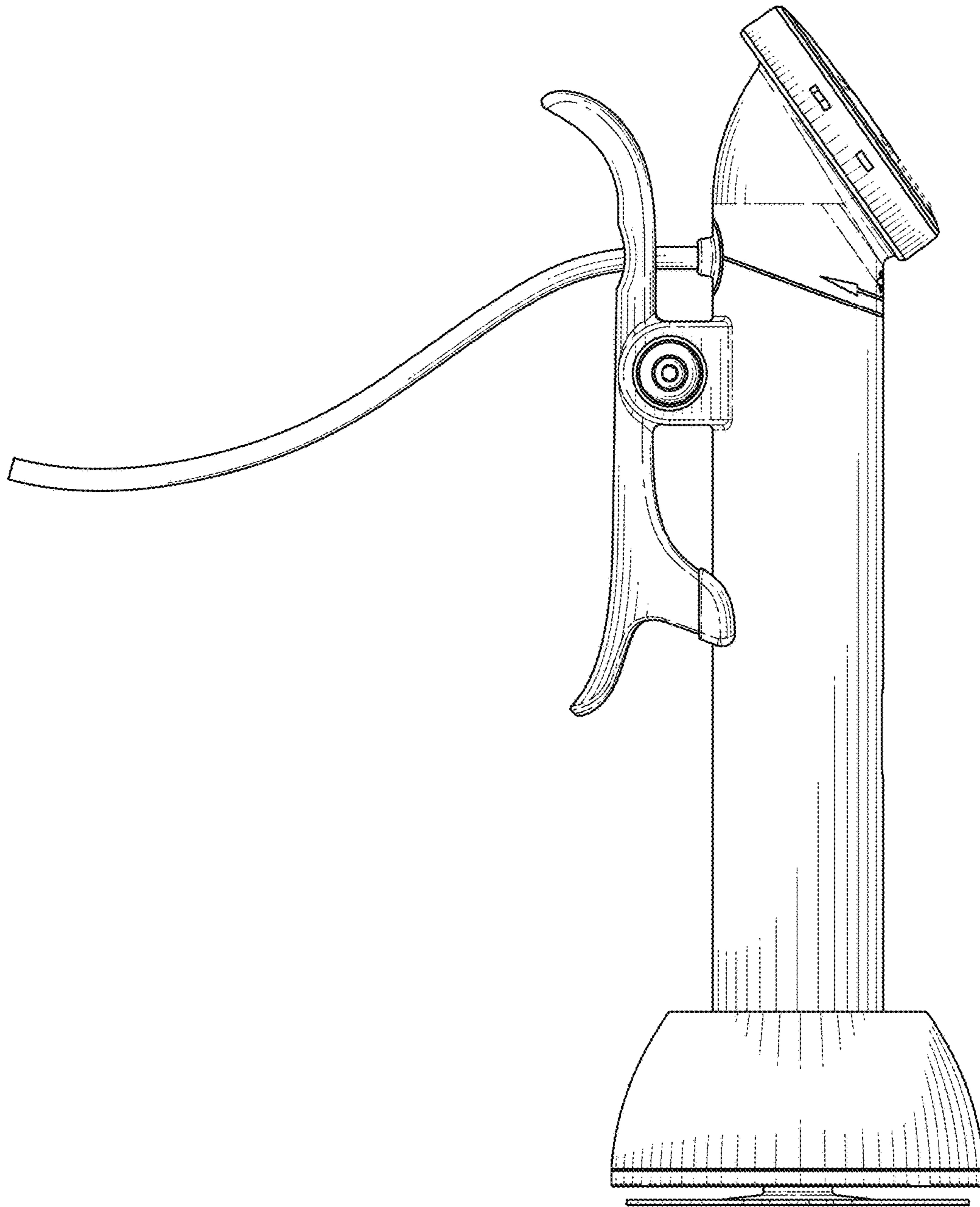


FIG. 5

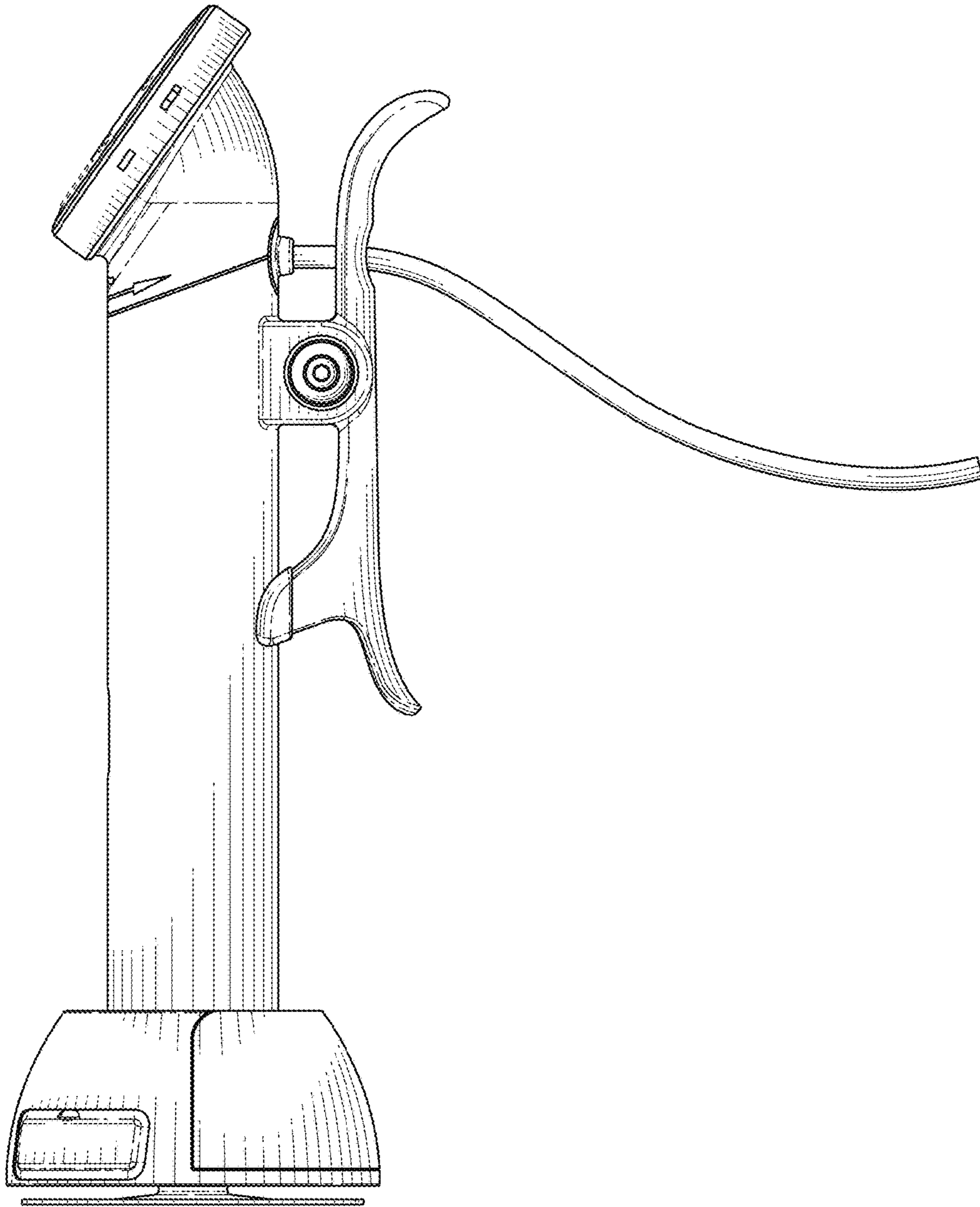


FIG. 6

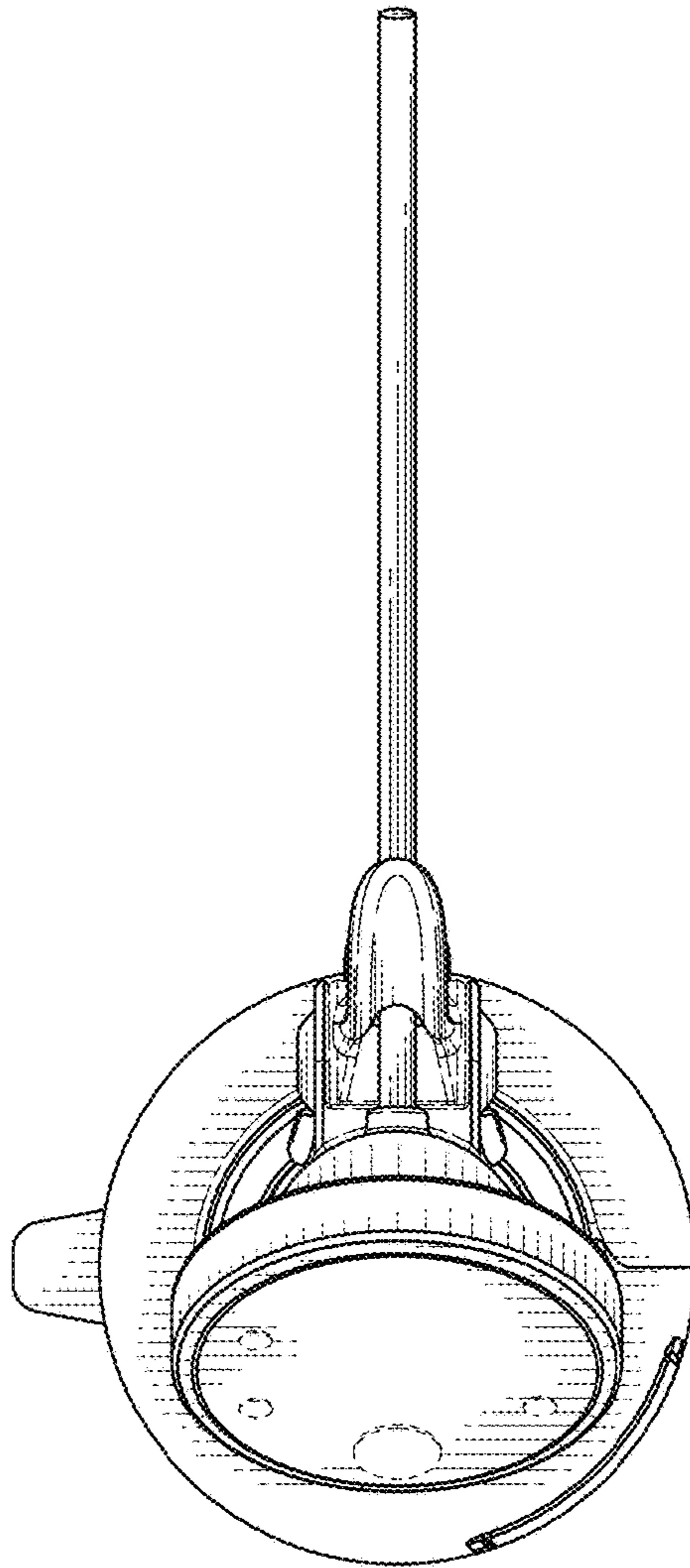


FIG. 7

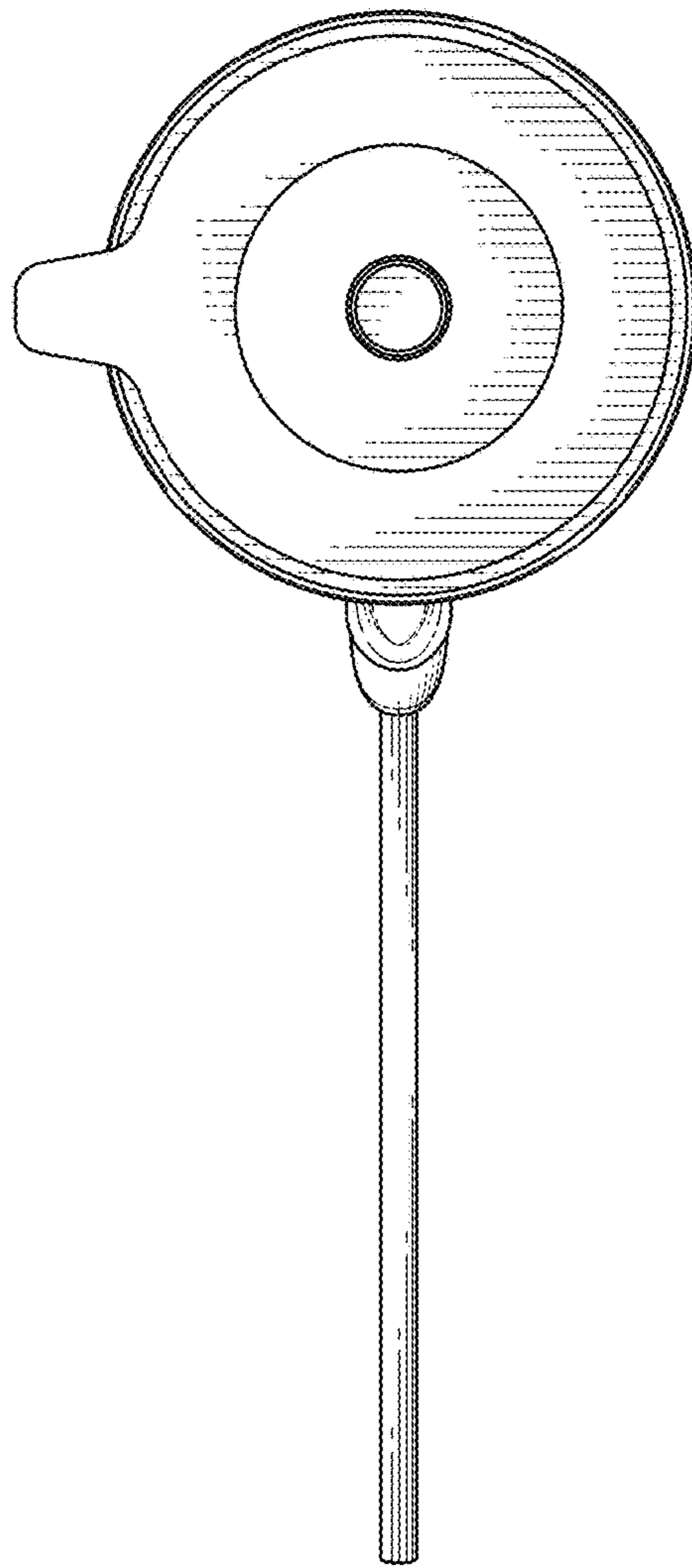


FIG. 8