



US00D850842S

(12) **United States Design Patent**
Johnston

(10) **Patent No.:** **US D850,842 S**
(45) **Date of Patent:** **** Jun. 11, 2019**

- (54) **BARBECUE GRILL**
- (71) Applicant: **Merkur Holdings Limited**, Ngau Tau Kok, Kowloon (HK)
- (72) Inventor: **Todd Johnston**, Fairburn, GA (US)
- (73) Assignee: **Merkur Holdings Limited**, Ngau Tau Kok, Kowloon (HK)
- (**) Term: **15 Years**
- (21) Appl. No.: **29/640,963**
- (22) Filed: **Mar. 19, 2018**
- (51) **LOC (11) Cl.** **07-02**
- (52) **U.S. Cl.**
USPC **D7/334**
- (58) **Field of Classification Search**
USPC D7/332-337, 351-353, 402-409
CPC A47J 37/07-0781; A47J 37/0786; A47J 33/00; A23B 4/044-056
See application file for complete search history.

- D510,838 S * 10/2005 Nipke D7/334
- D592,442 S * 5/2009 Rutter D7/334
- D608,135 S * 1/2010 Siow D7/335
- D792,148 S * 7/2017 Chung D7/334
- D796,891 S * 9/2017 Bucher D7/332
- D820,628 S * 6/2018 Zhou D7/334
- 2017/0067649 A1 * 3/2017 Colston A47J 37/0704

* cited by examiner

Primary Examiner — Brett Miller

(74) *Attorney, Agent, or Firm* — McClure, Qualey & Rodack, LLP

(57) **CLAIM**

The ornamental design for a barbecue grill, as shown and described.

DESCRIPTION

FIG. 1 is a perspective view of my new design for a barbecue grill;
 FIG. 2 is a front elevational view thereof;
 FIG. 3 is an enlarged view of the control panel to show detail;
 FIG. 4 is a rear elevational view thereof;
 FIG. 5 is a left side elevational view thereof;
 FIG. 6 is a right side elevational view thereof; and,
 FIG. 7 is a top plan view thereof.

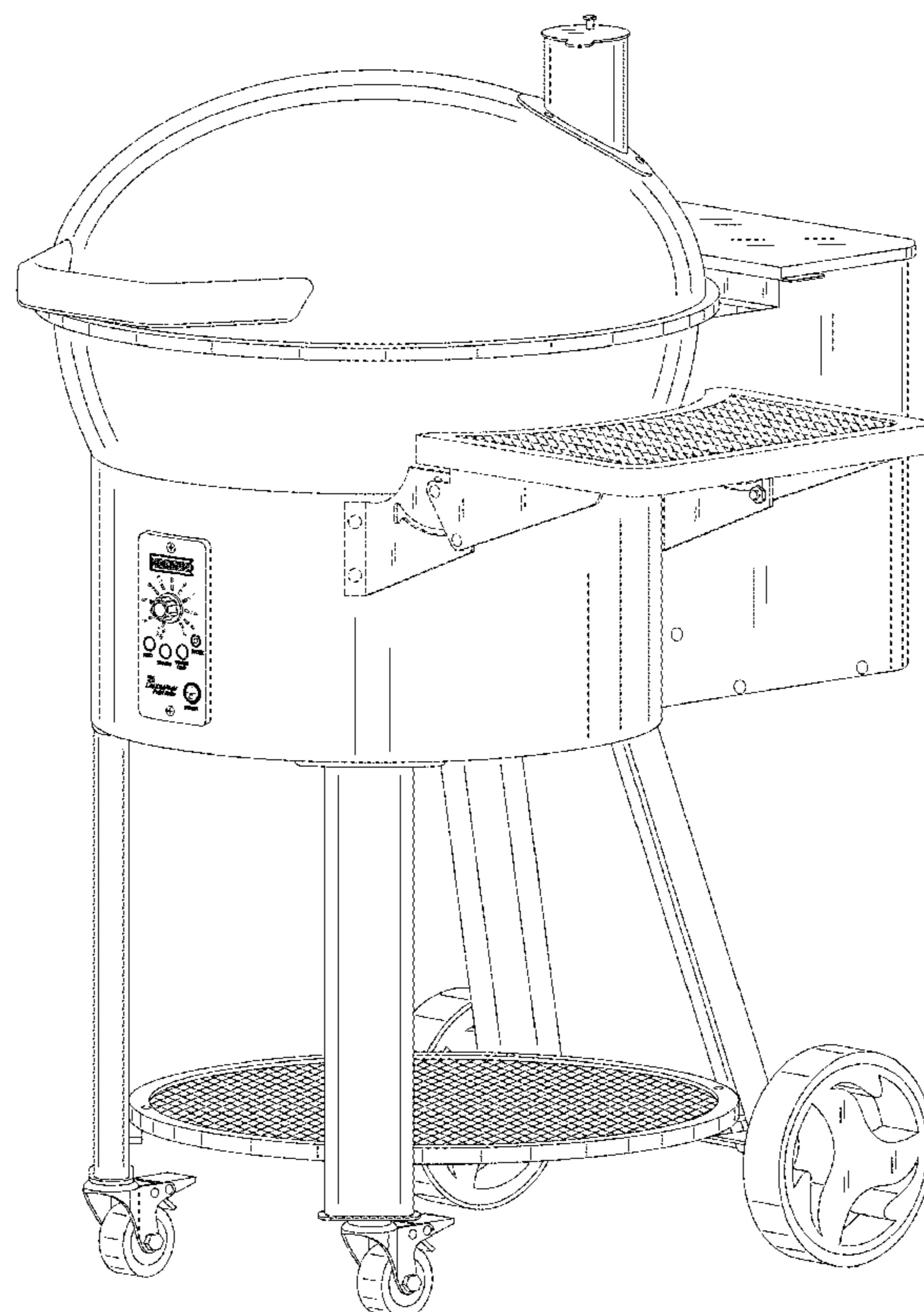
The broken lines immediately adjacent the shaded areas represent the bounds of the claimed design while all other broken lines are directed to environment and are for illustrative purposes only; the broken lines form no part of the claimed design.

(56) **References Cited**

U.S. PATENT DOCUMENTS

- D229,625 S * 12/1973 Thomas D7/355
- 4,926,841 A * 5/1990 Woolf A47J 37/0704
126/243
- D420,243 S * 2/2000 Samaras D7/332

1 Claim, 6 Drawing Sheets



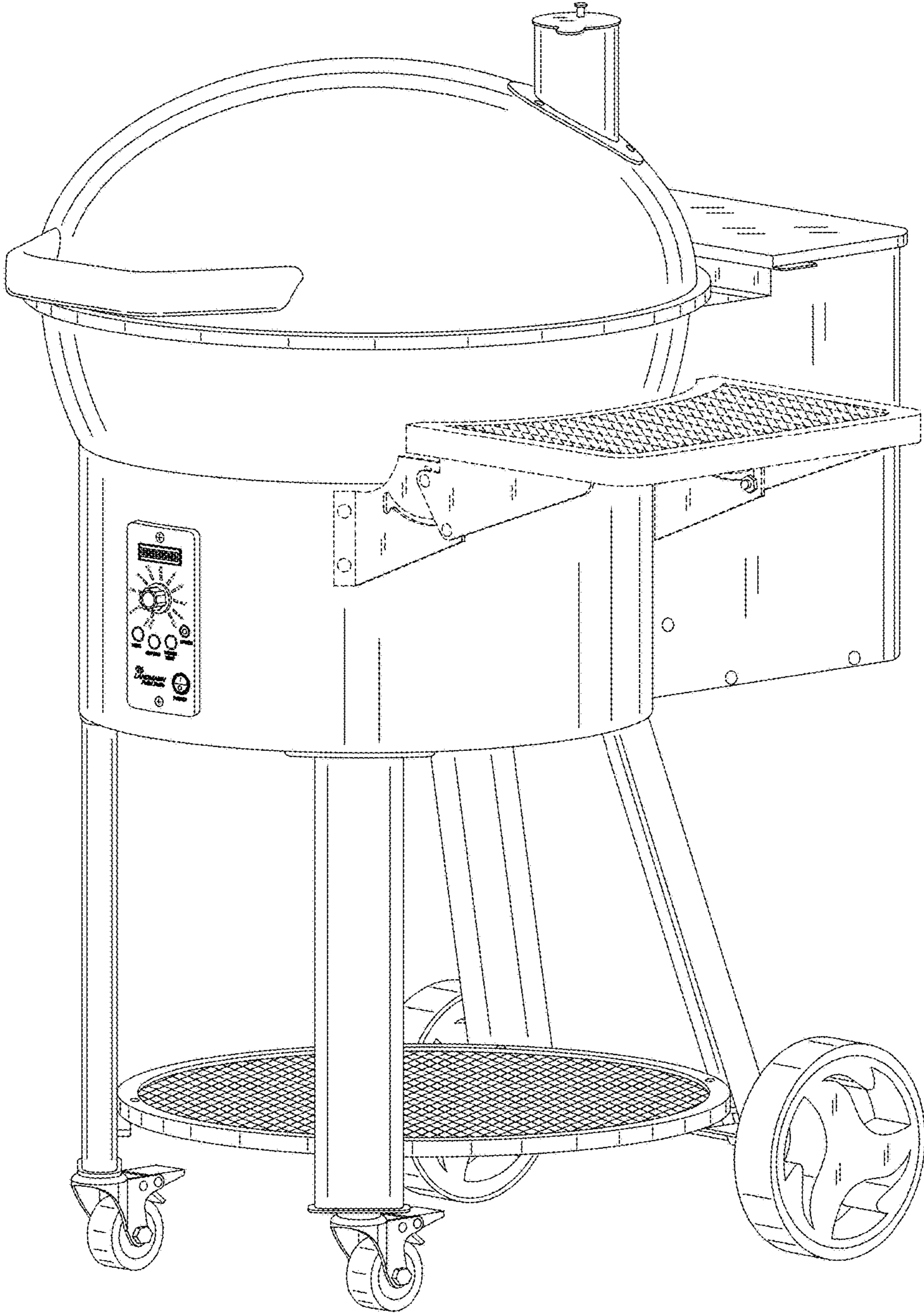


FIG. 1

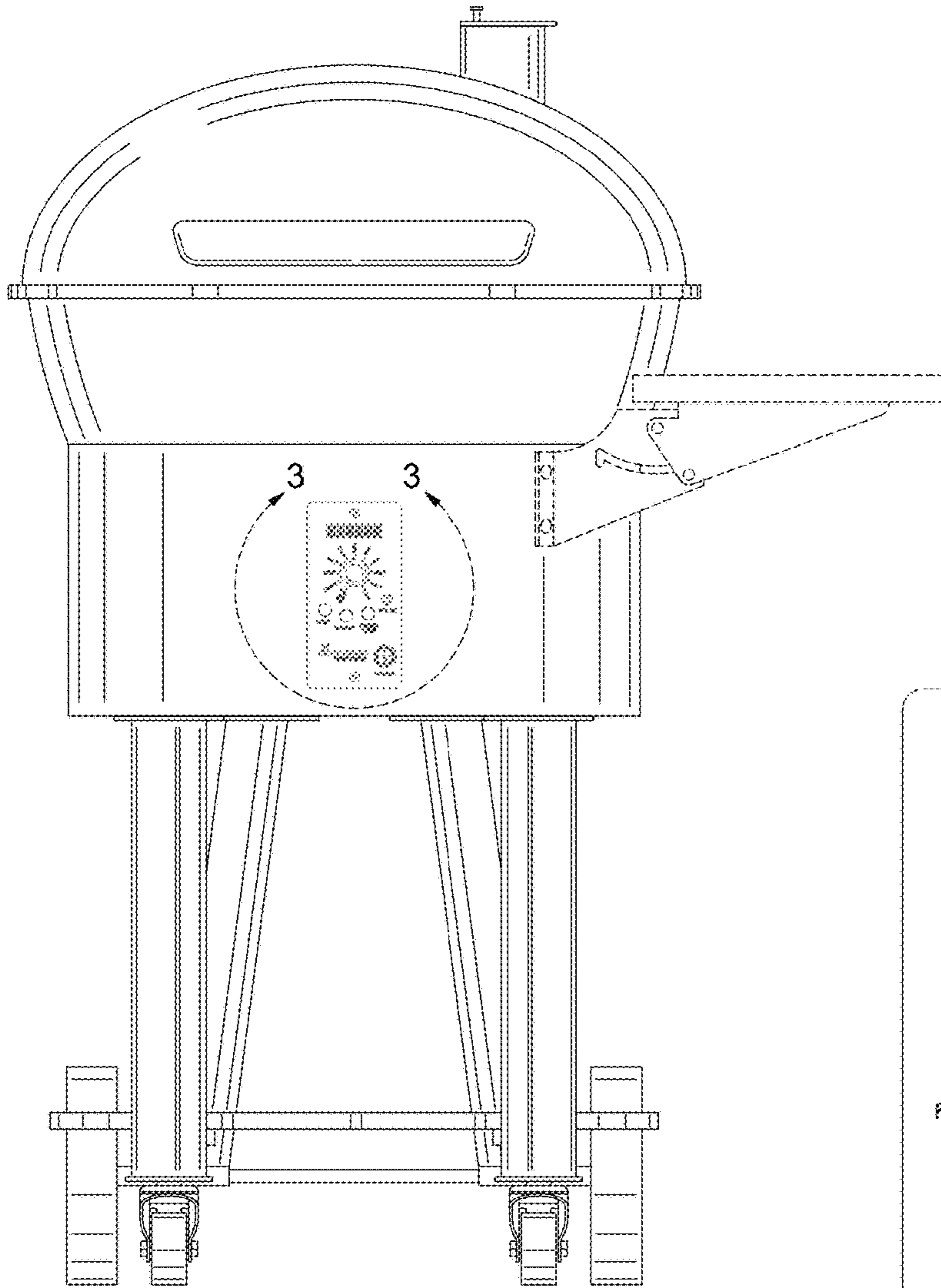


FIG. 2

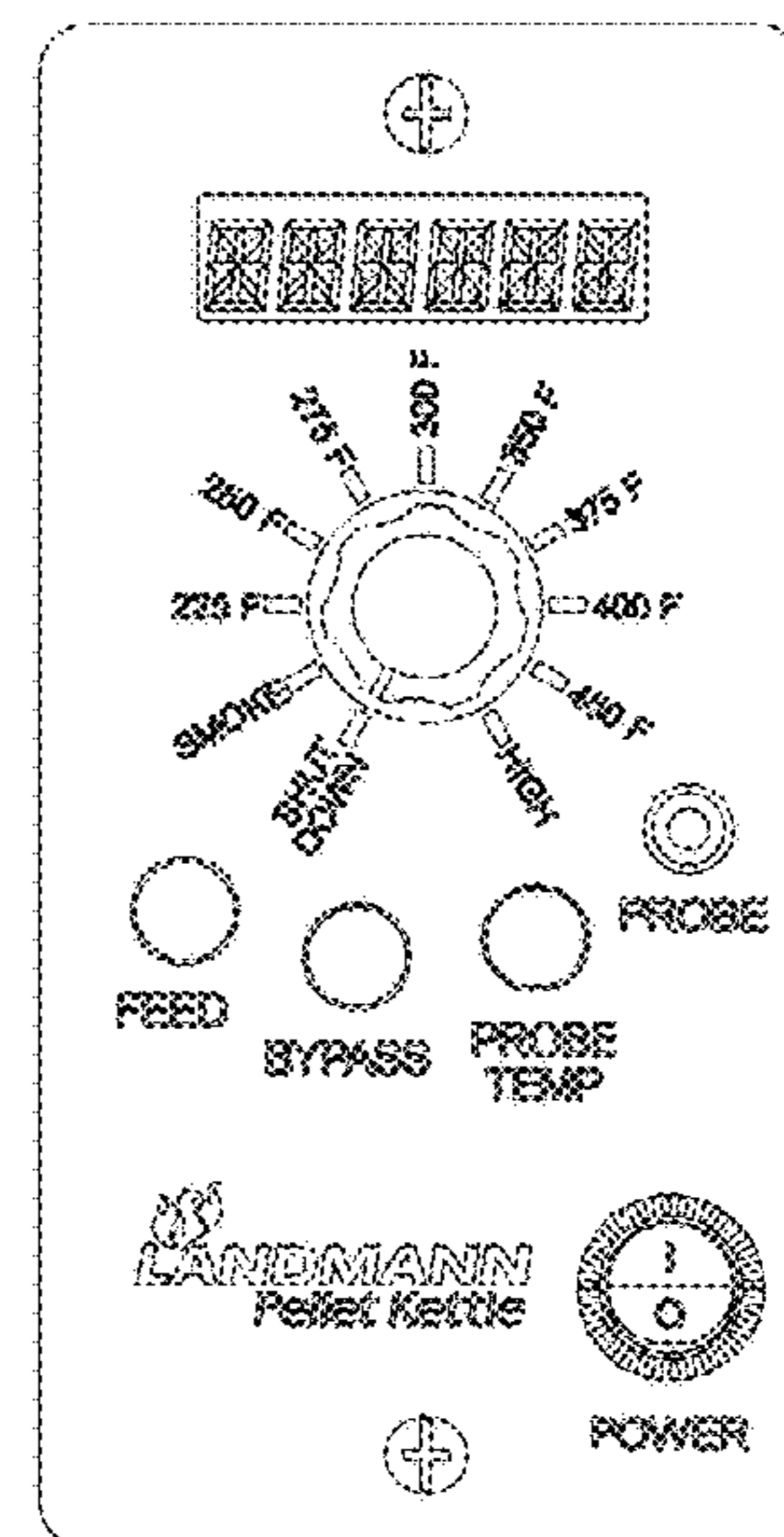


FIG. 3

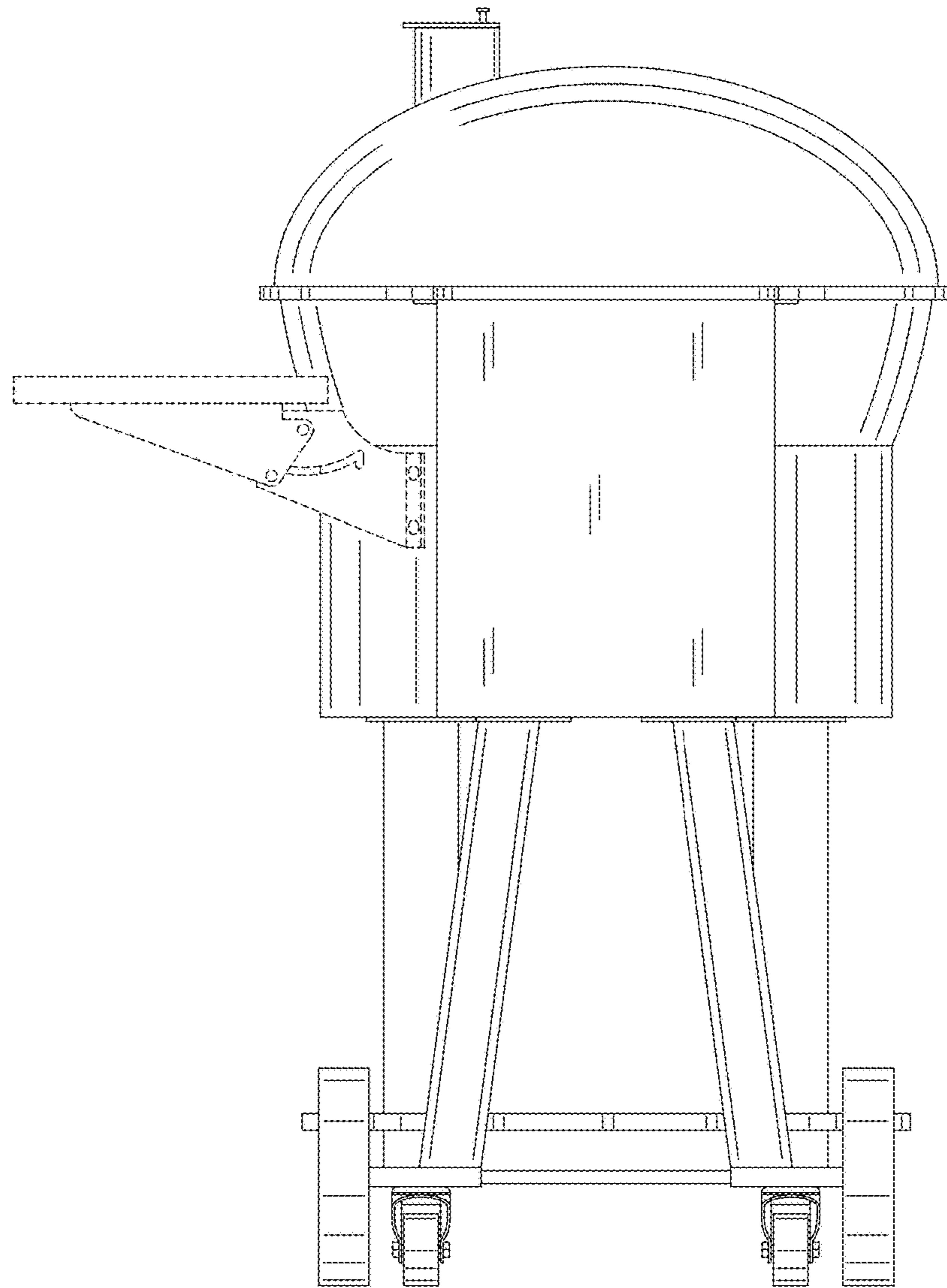


FIG. 4

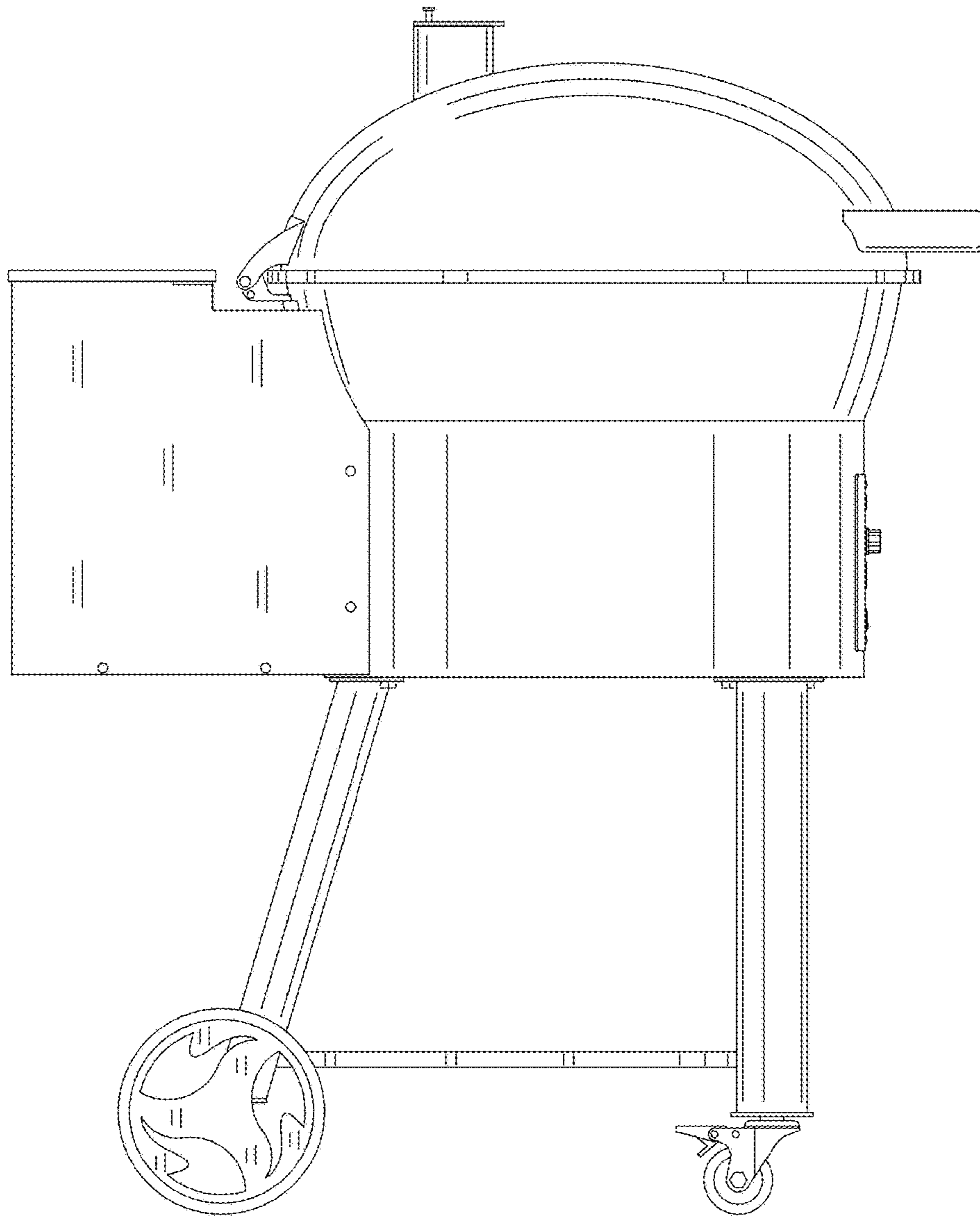


FIG. 5

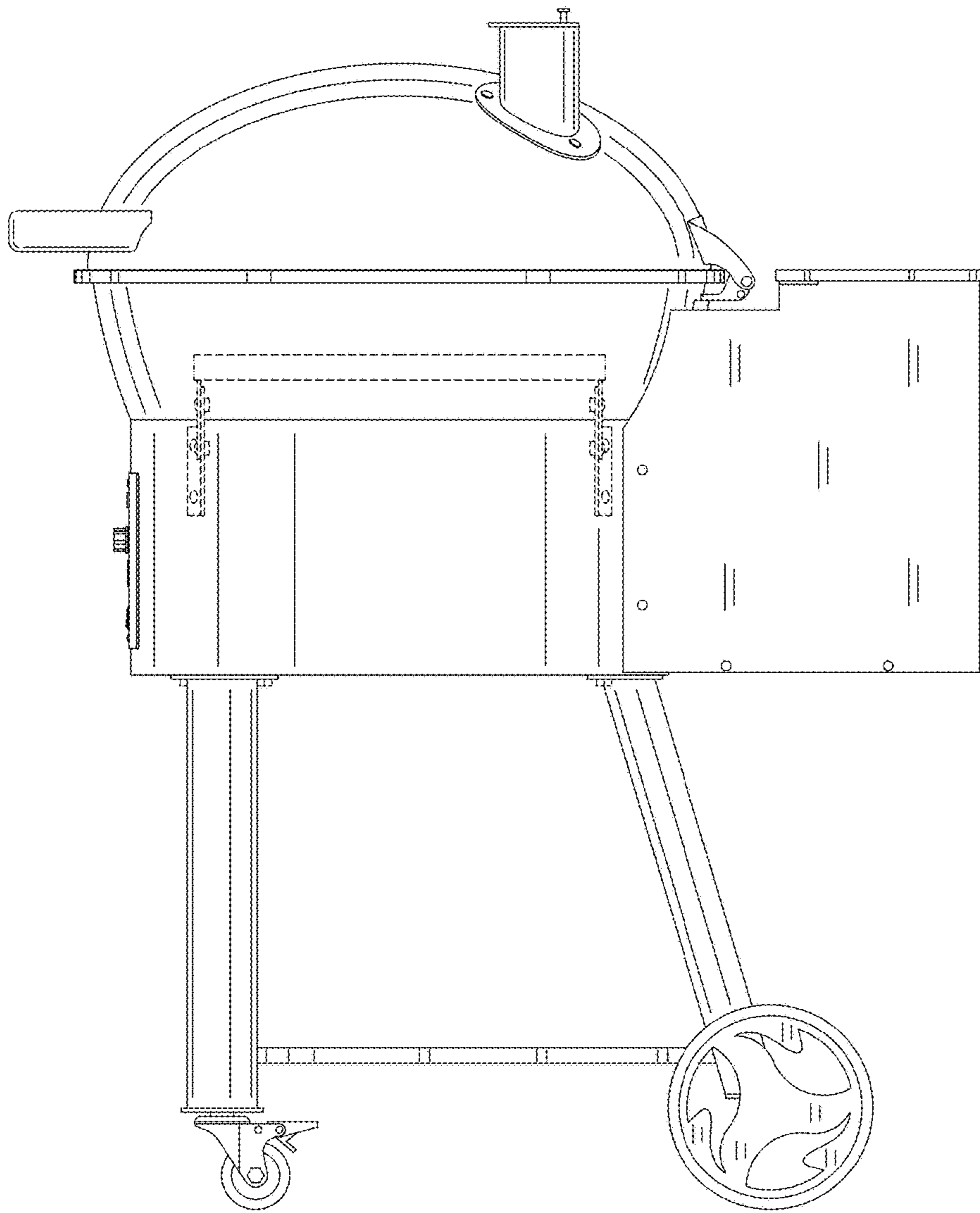


FIG. 6

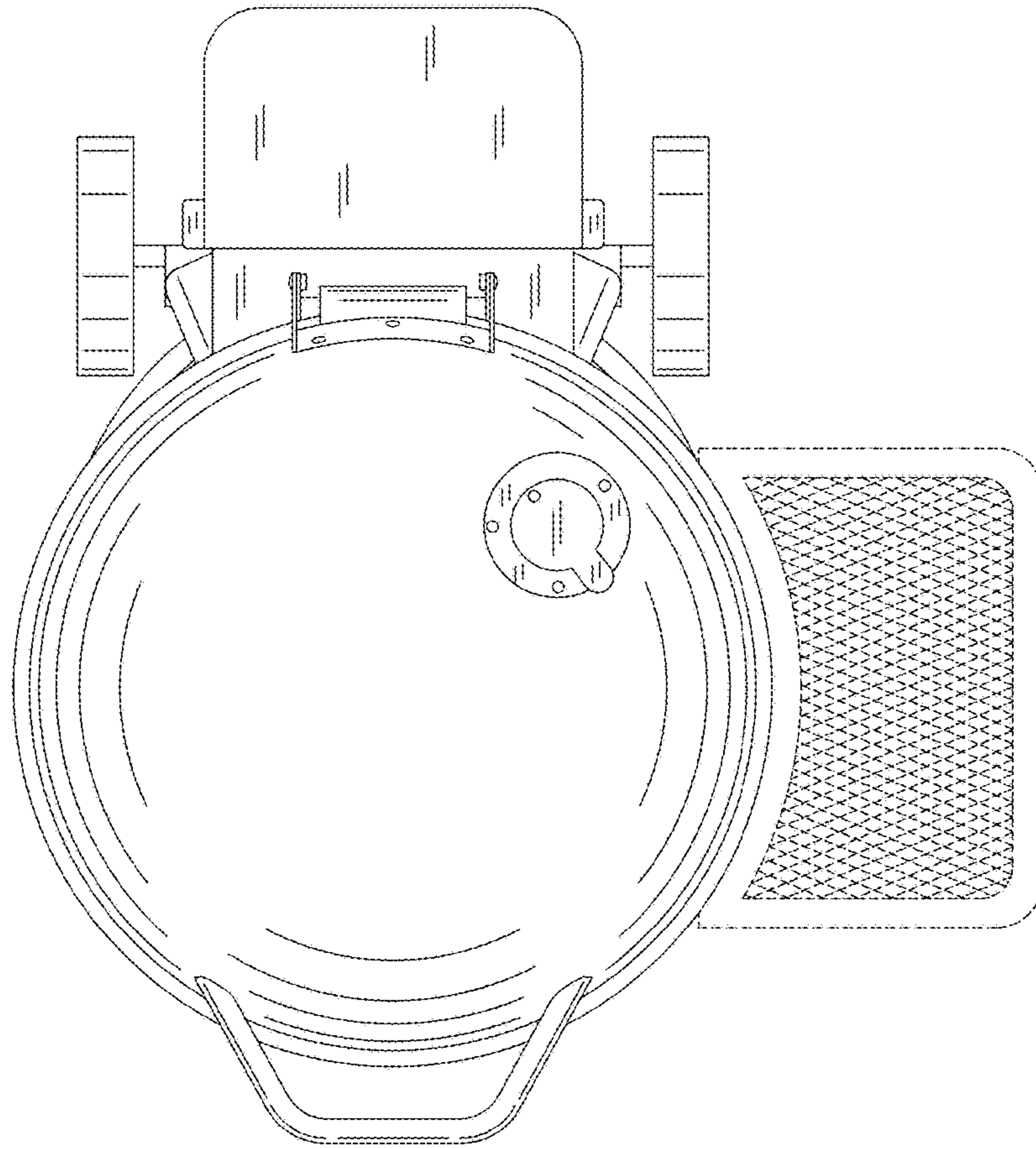


FIG. 7