



US00D850840S

(12) **United States Design Patent**
Rupp

(10) **Patent No.:** **US D850,840 S**

(45) **Date of Patent:** **** Jun. 11, 2019**

- (54) **DISPENSING SYSTEM**
- (71) Applicant: **Snowie LLC**, Salt Lake City, UT (US)
- (72) Inventor: **Carl A. Rupp**, Salt Lake City, UT (US)
- (73) Assignee: **Snowie LLC**, Salt Lake City, UT (US)
- (**) Term: **15 Years**
- (21) Appl. No.: **29/604,477**
- (22) Filed: **May 17, 2017**
- (51) **LOC (11) Cl.** **07-01**
- (52) **U.S. Cl.**
USPC **D7/308; D7/307; D7/300**
- (58) **Field of Classification Search**
USPC D7/300, 307, 308, 311, 589, 315;
222/108, 144.5; D15/80
CPC A23G 9/245; A23G 9/281; B67D 3/0019;
B67D 3/0048; B67D 3/0009
See application file for complete search history.

- 5,890,629 A * 4/1999 Loew B67D 3/0009
222/144
- D476,855 S * 7/2003 Green D7/589
- D505,823 S * 6/2005 Turner D7/307
- D569,163 S * 5/2008 Gu D7/307
- D581,218 S * 11/2008 Green D7/589
- D616,707 S * 6/2010 Gold D7/589
- D667,675 S * 9/2012 Bouwknecht D15/82
- D690,149 S * 9/2013 Rupp D7/307
- D779,889 S * 2/2017 Muller D7/589
- D805,828 S * 12/2017 Merali D7/306
- 10,130,111 B2 * 11/2018 Rupp A23G 9/245
- 2012/0067921 A1 * 3/2012 Shippen B67D 3/0025
222/144
- 2018/0162716 A1 * 6/2018 Rupp A23G 9/245

* cited by examiner

Primary Examiner — Marianne N Pandozzi

(74) *Attorney, Agent, or Firm* — Terrence J. Edwards;
TechLaw Ventures, PLLC

(57) **CLAIM**

I claim the ornamental design for a dispensing system, as shown and described.

(56) **References Cited**

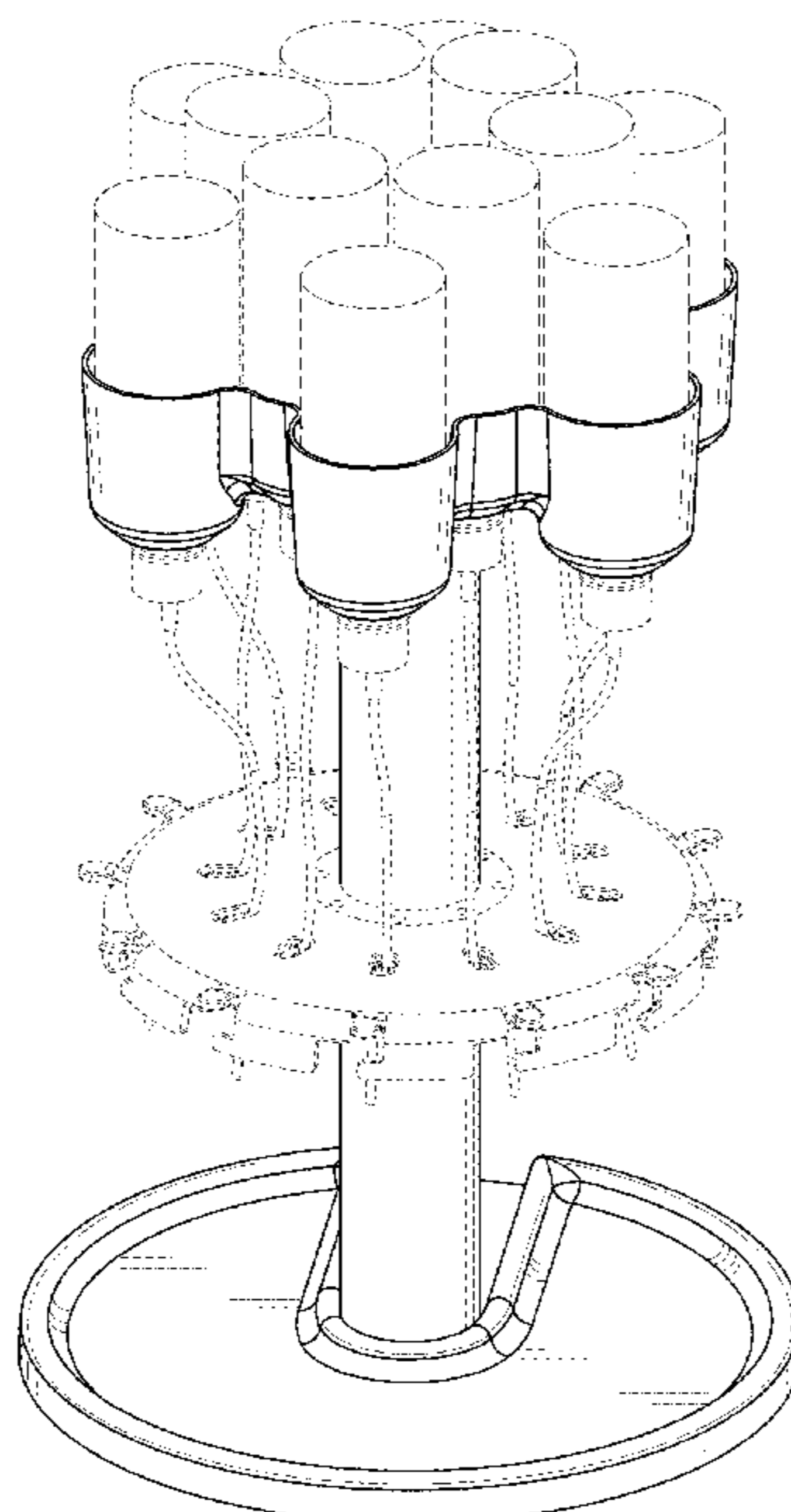
U.S. PATENT DOCUMENTS

- D154,291 S * 6/1949 Levin D7/307
- 2,746,298 A * 5/1956 Grubb G01N 9/14
251/353
- 3,285,198 A * 11/1966 Hornstein A23G 9/283
222/2
- 3,718,234 A * 2/1973 Bagguley B65D 83/20
222/135
- 3,930,598 A * 1/1976 Slagle B67D 3/00
222/129.4
- D288,516 S * 3/1987 Mortimer D6/699.1
- 5,351,861 A * 10/1994 Jovellana B67D 1/06
222/144
- D372,625 S * 8/1996 Forsen D7/300

DESCRIPTION

FIG. 1 is a perspective view of a dispensing system showing my new design;
 FIG. 2 is a front view thereof;
 FIG. 3 is a rear view thereof;
 FIG. 4 is a right side view thereof;
 FIG. 5 is a left side view thereof;
 FIG. 6 is a top plan view thereof; and,
 FIG. 7 is a bottom plan view thereof.

1 Claim, 7 Drawing Sheets



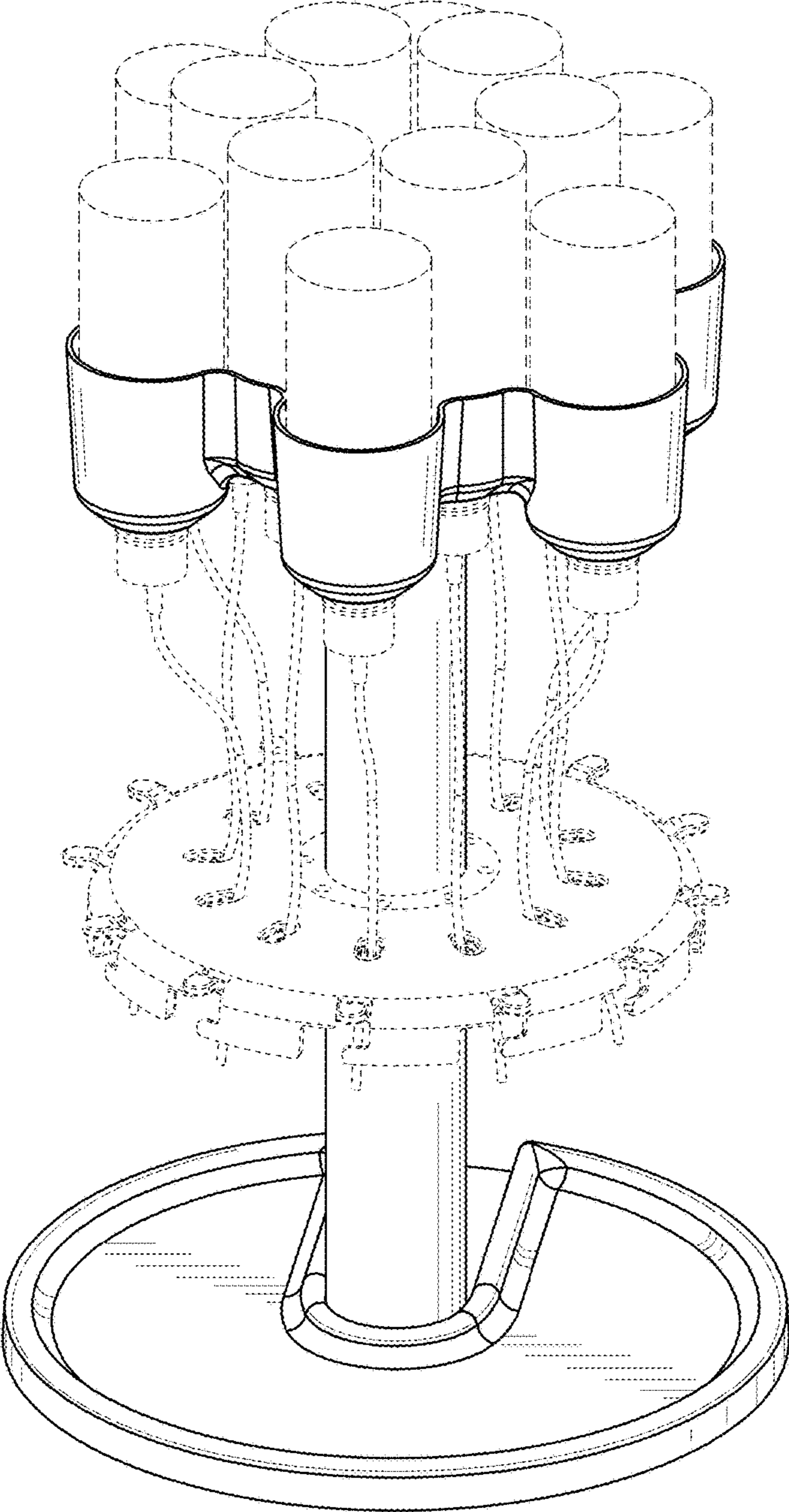


FIG. 1

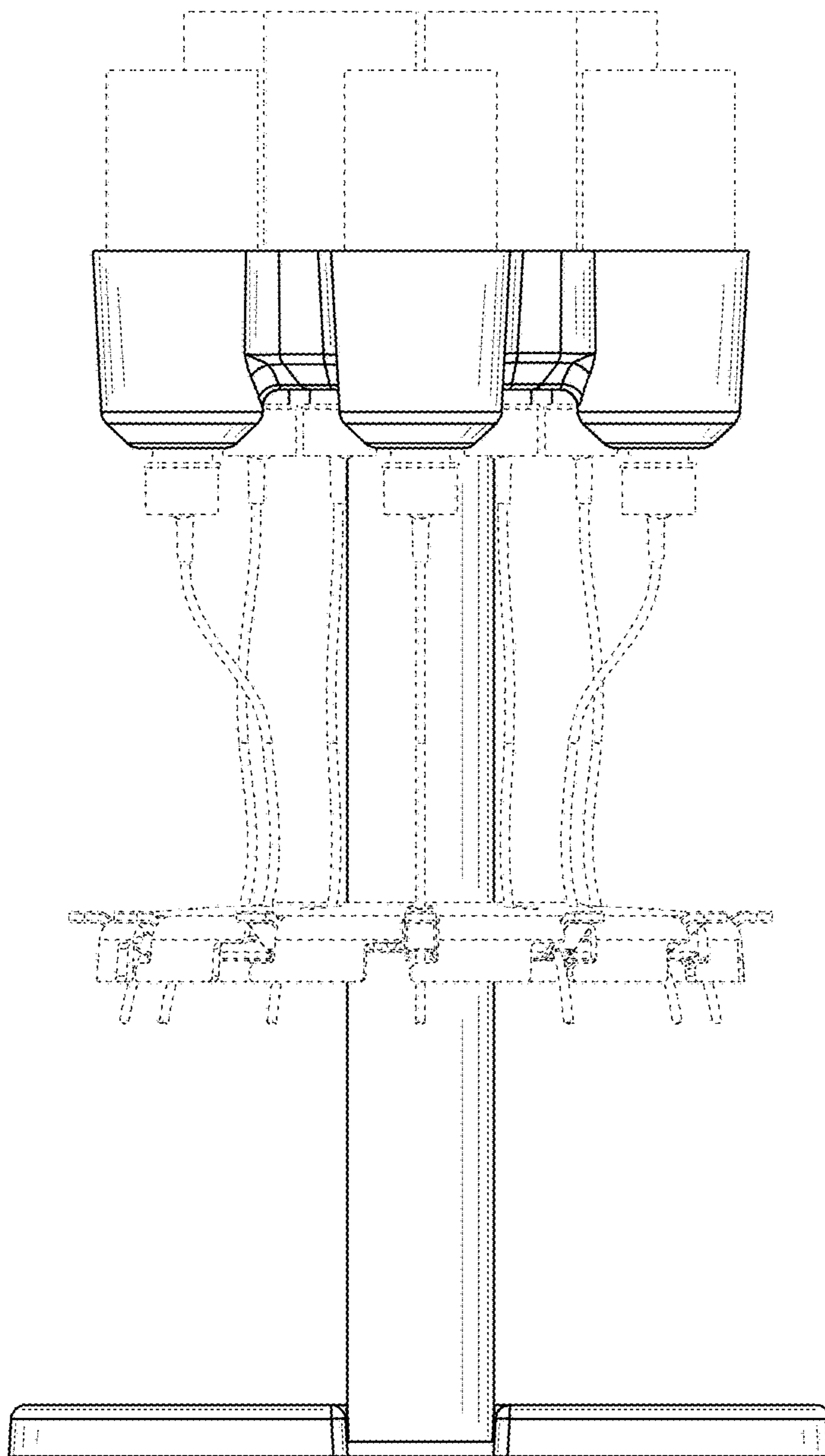


FIG. 2

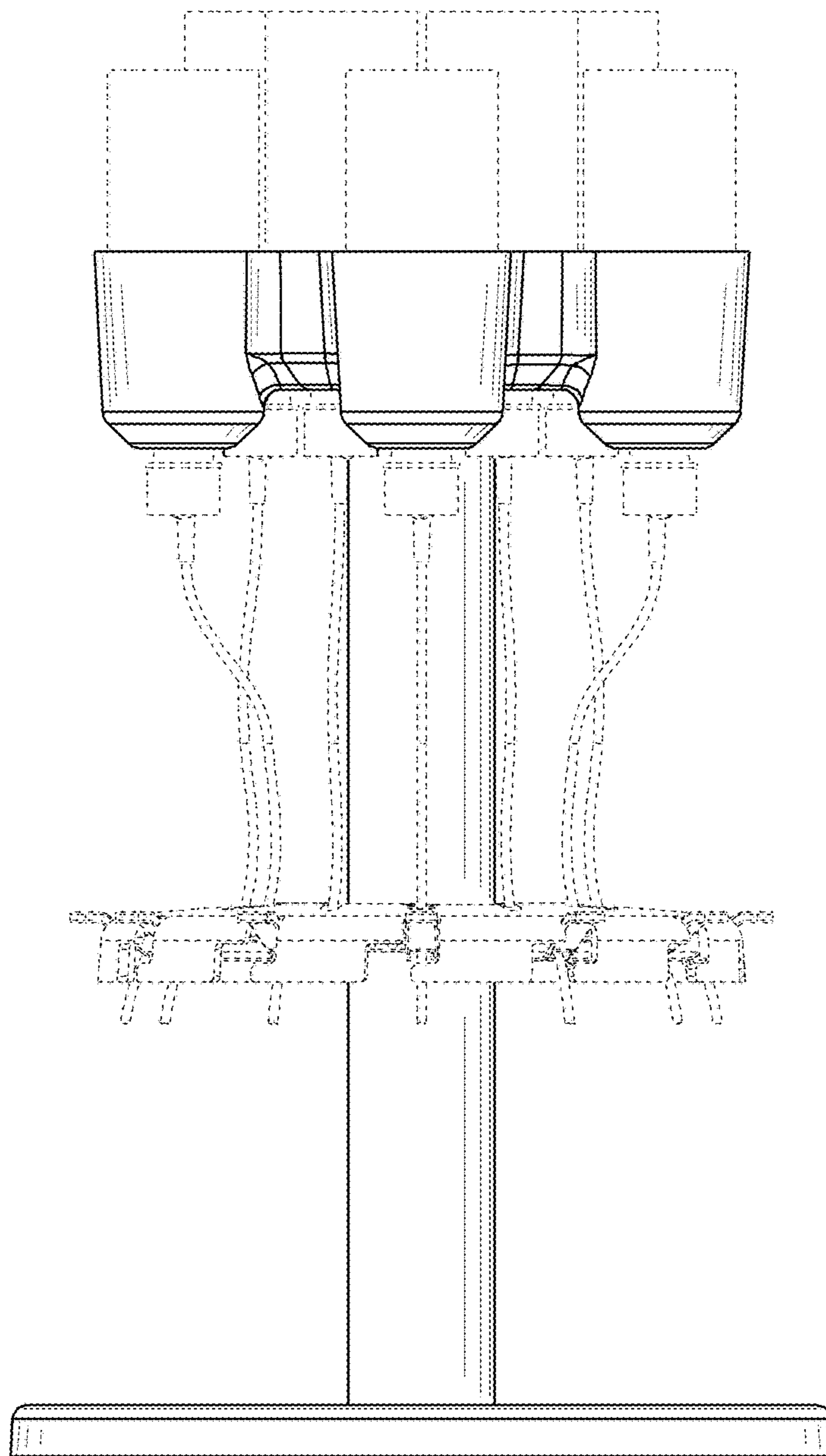


FIG. 3

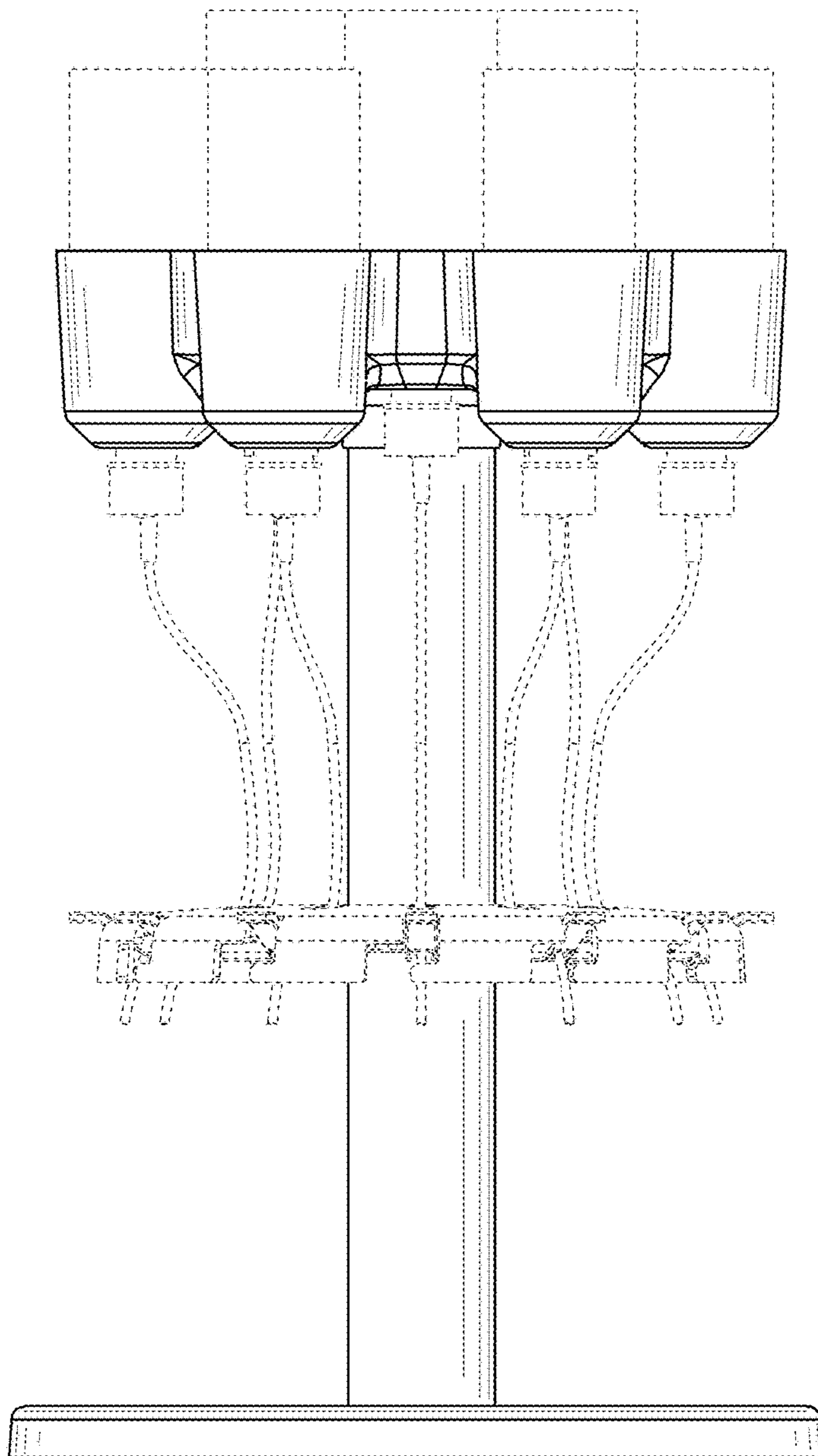


FIG. 4

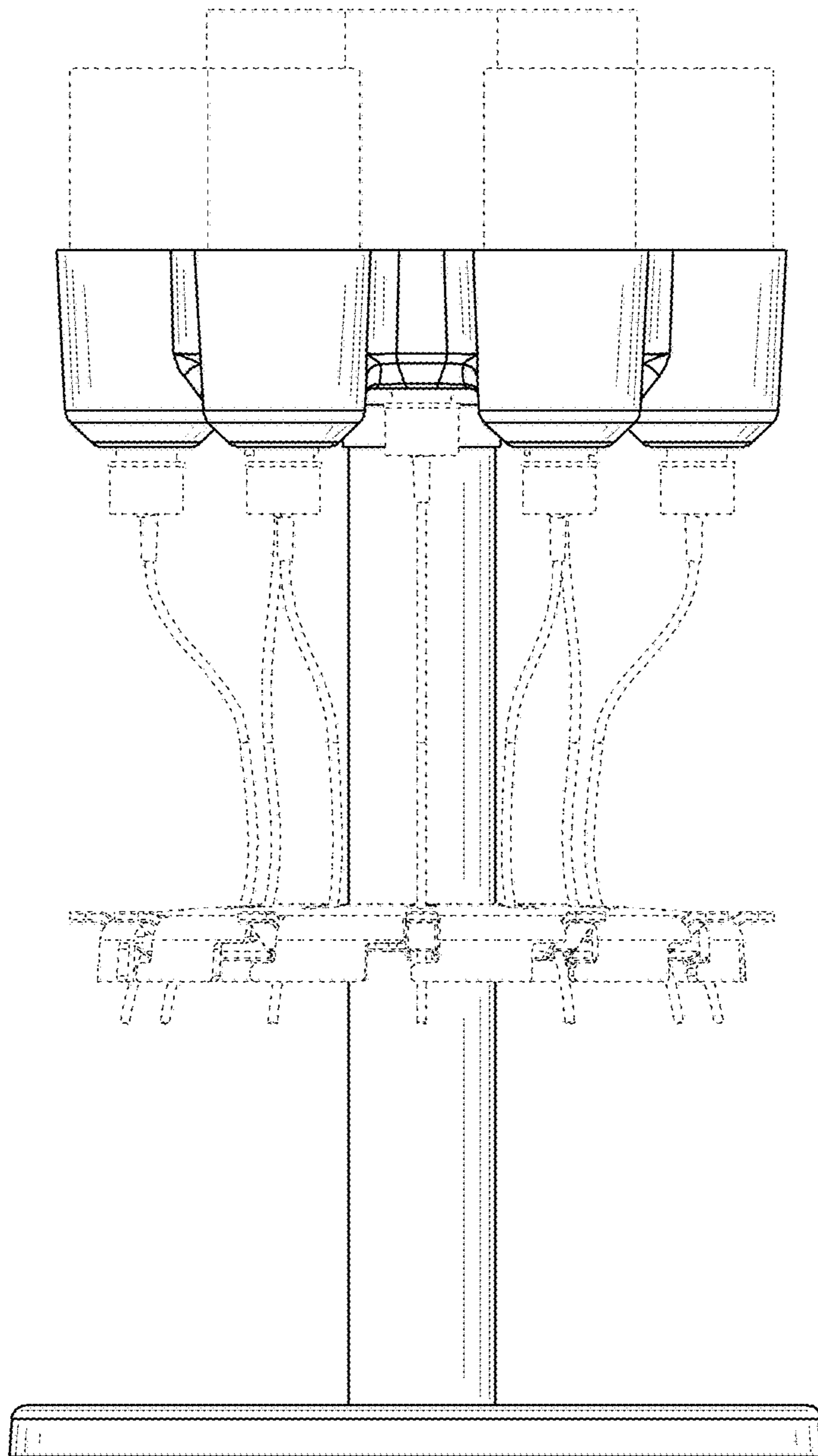


FIG. 5

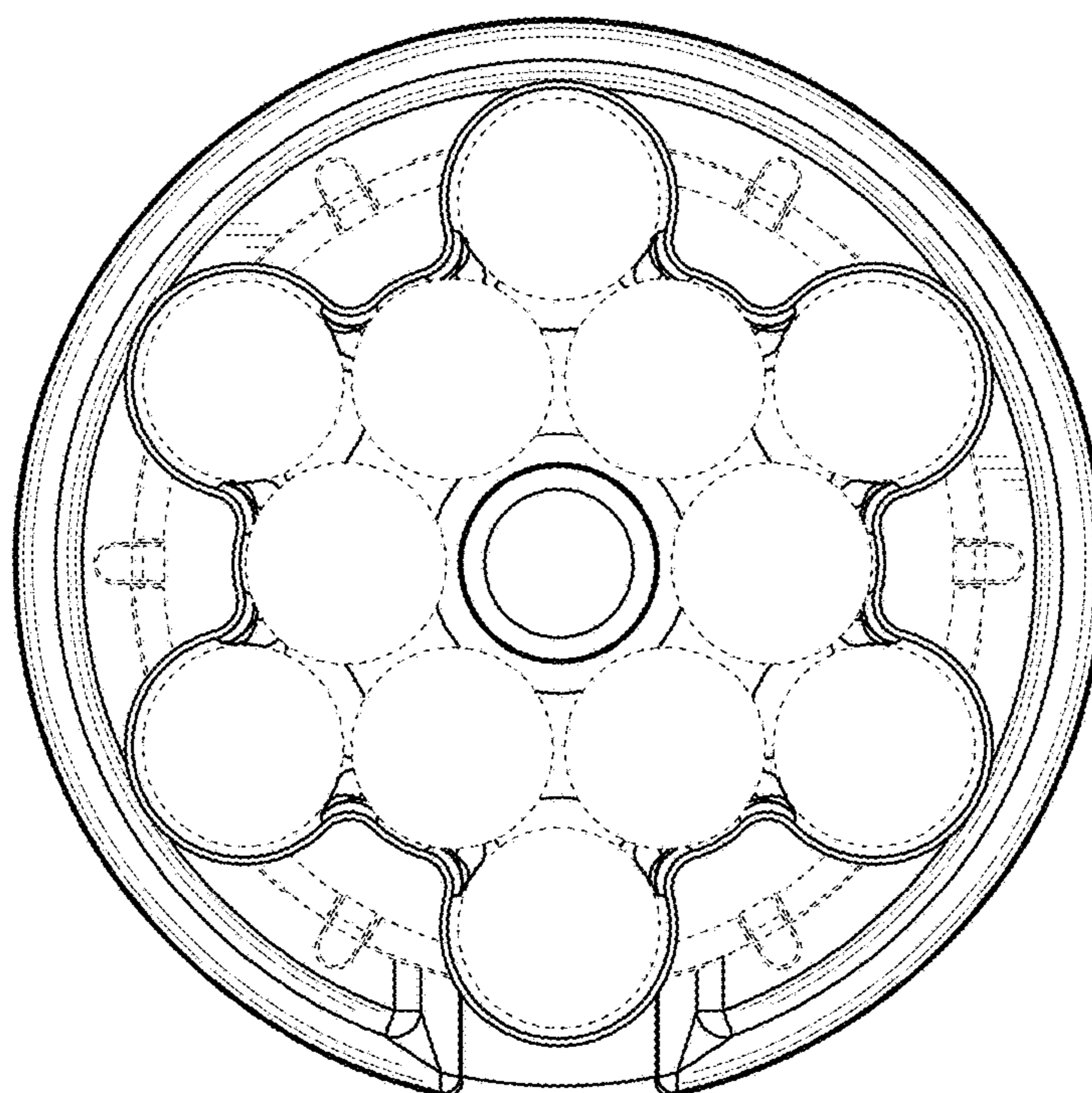


FIG. 6

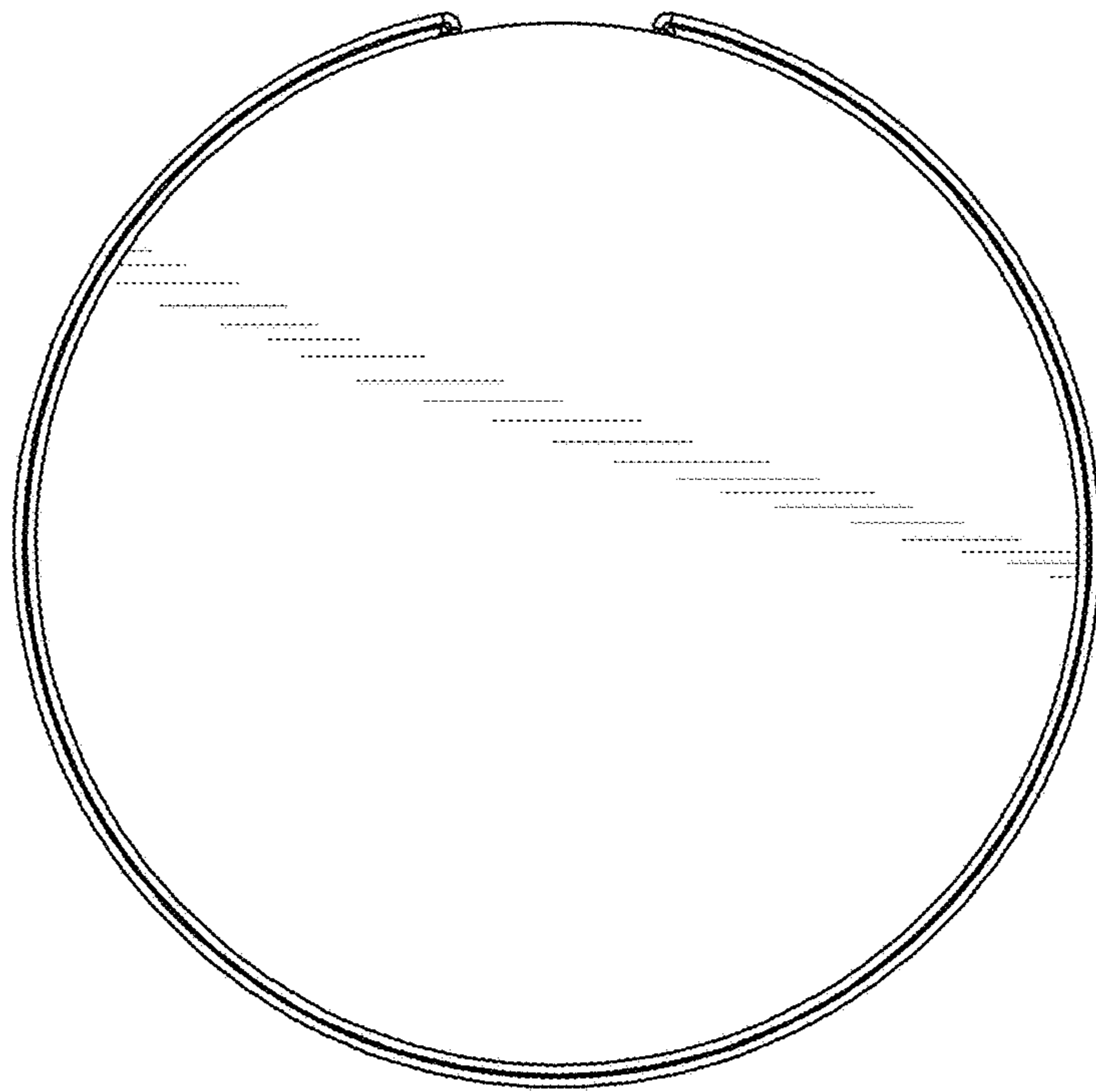


FIG. 7