

US00D850838S

(12) **United States Design Patent**
Hardy et al.

(10) **Patent No.:** **US D850,838 S**
(45) **Date of Patent:** **** Jun. 11, 2019**

- (54) **BEVERAGE DISPENSER**
- (71) Applicant: **The Coca-Cola Company**, Atlanta, GA (US)
- (72) Inventors: **Jill Hardy**, Atlanta, GA (US); **Melinda Pritchett**, Lithonia, GA (US); **Philip A. Berger**, Floyds Knobs, IN (US); **Gregory A. Meyer**, Charlestown, IN (US); **Gregory K. Thompson**, Finchville, KY (US)
- (73) Assignee: **The Coca-Cola Company**, Atlanta, GA (US)
- (**) Term: **15 Years**
- (21) Appl. No.: **29/604,671**
- (22) Filed: **May 19, 2017**
- (51) **LOC (11) Cl.** **07-01**
- (52) **U.S. Cl.**
USPC **D7/307; D7/311; D7/308**
- (58) **Field of Classification Search**
USPC **D7/305, 300, 306-311, 313, 301; 99/275; 222/78; D23/207; D20/1**
CPC **A47J 31/44; A47J 31/00; B67D 1/00**
See application file for complete search history.

- (56) **References Cited**
U.S. PATENT DOCUMENTS
- D109,919 S * 5/1938 McHenry D7/308
- D192,344 S * 3/1962 Hrabe D7/308
- 3,060,702 A * 10/1962 Price, Jr. B01F 13/0827
222/129
- 3,087,415 A * 4/1963 Murray A47J 31/007
99/281
- 3,608,471 A * 9/1971 Martin A47J 31/56
99/283
- D260,095 S * 8/1981 Bischoff D7/308
- D298,504 S * 11/1988 Frech D7/308

- D304,989 S * 12/1989 Fossella D7/308
- D309,842 S * 8/1990 Frech D7/308
- D346,717 S * 5/1994 Geiger D7/309
- D375,865 S * 11/1996 Sovann D7/301
- 6,058,721 A * 5/2000 Midden A23G 9/045
62/136
- D440,109 S * 4/2001 Anton D7/307
- 6,286,724 B1 * 9/2001 Midden B67D 1/06
222/1
- 6,349,852 B1 * 2/2002 Ford B67D 1/0042
222/129.1
- D548,507 S * 8/2007 Jacquet D7/309
- D557,057 S * 12/2007 Einav D7/307
- D566,452 S * 4/2008 Wong D7/307
- D646,106 S * 10/2011 Gebhardt D7/309
- D758,779 S * 6/2016 Regamy D7/306
- D781,095 S * 3/2017 Nilsson D7/309
- D807,101 S * 1/2018 De' Longhi D7/309
- D821,132 S * 6/2018 Cometti D7/309

(Continued)

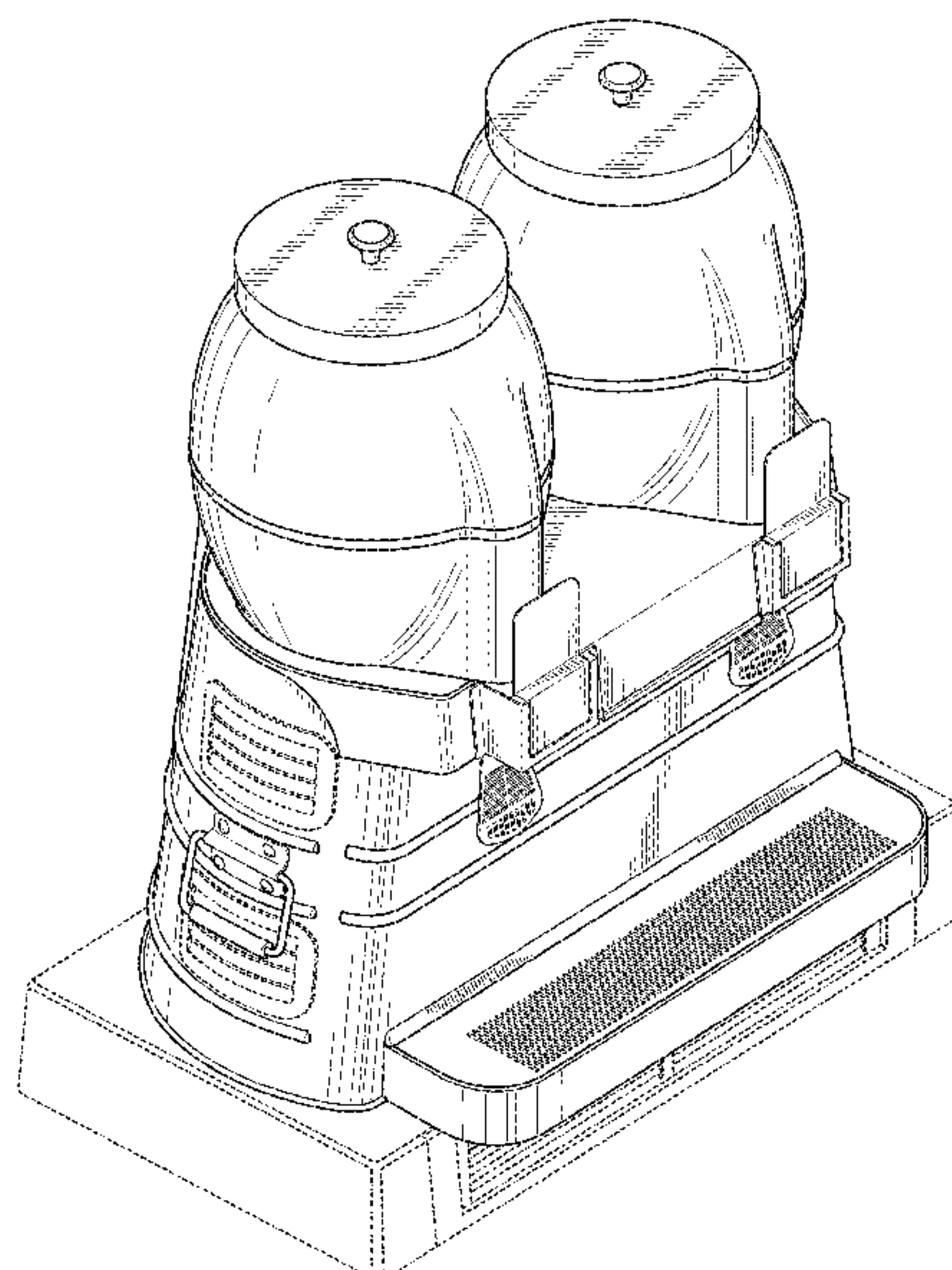
Primary Examiner — Marianne N Pandozzi
(74) *Attorney, Agent, or Firm* — Tiffany N. Logan; Parks IP Law LLC

(57) **CLAIM**
We claim the ornamental design for a beverage dispenser, as shown and described.

DESCRIPTION

FIG. 1 is a perspective view of the beverage dispenser in accordance with our new design;
FIG. 2 is a right view thereof;
FIG. 3 is a left view thereof;
FIG. 4 is a front view thereof;
FIG. 5 is a back view thereof;
FIG. 6 is a top view thereof; and,
FIG. 7 is a bottom view thereof.
The even-length broken lines showing the remainder of the beverage dispenser are for environmental purposes only and form no part of the claimed design.

1 Claim, 7 Drawing Sheets



(56)

References Cited

U.S. PATENT DOCUMENTS

D824,196 S * 7/2018 Shin D7/313
D828,066 S * 9/2018 Han D7/307
2015/0289712 A1* 10/2015 Choi A47J 31/46
99/300

* cited by examiner

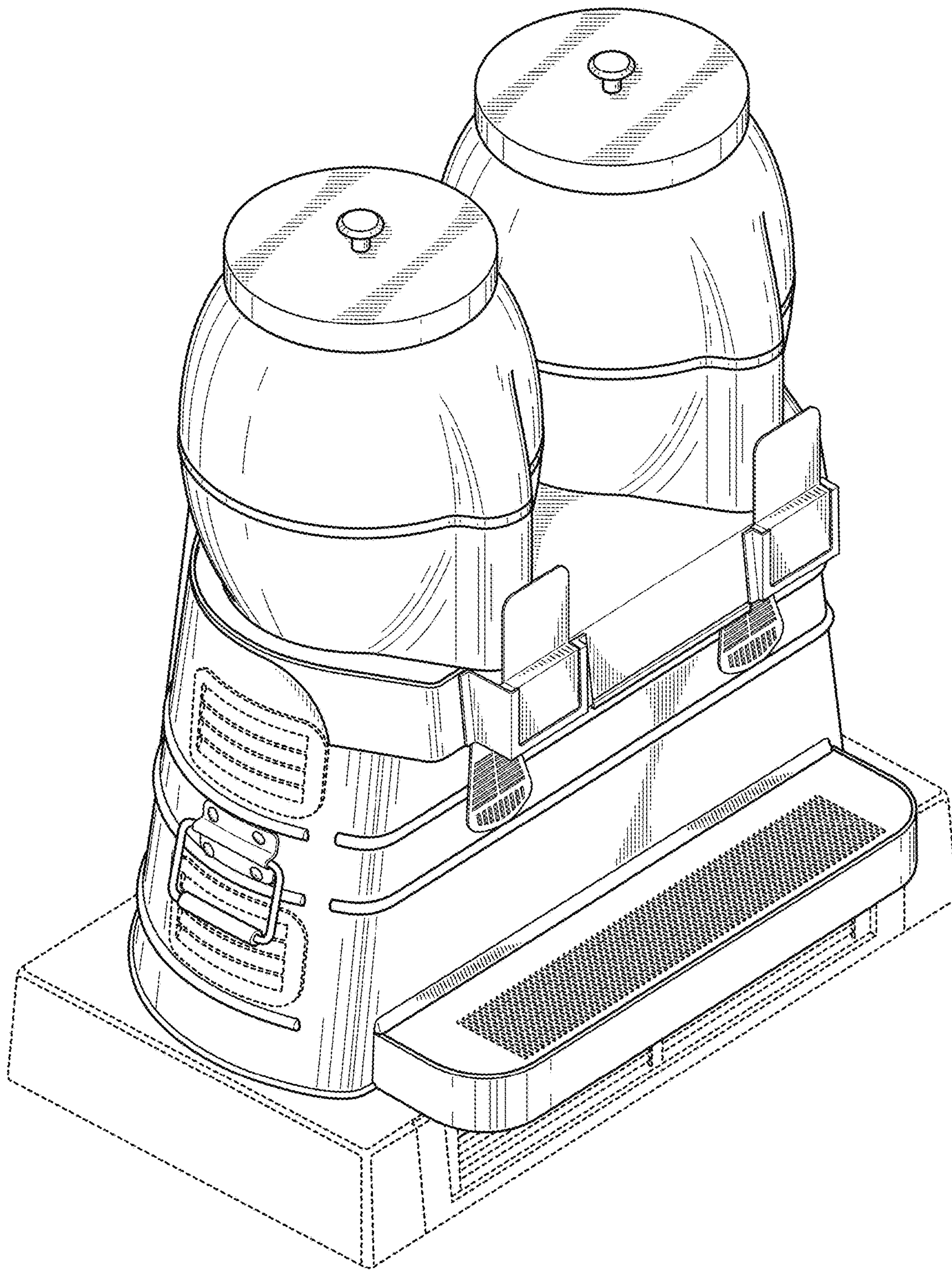


FIG. 1

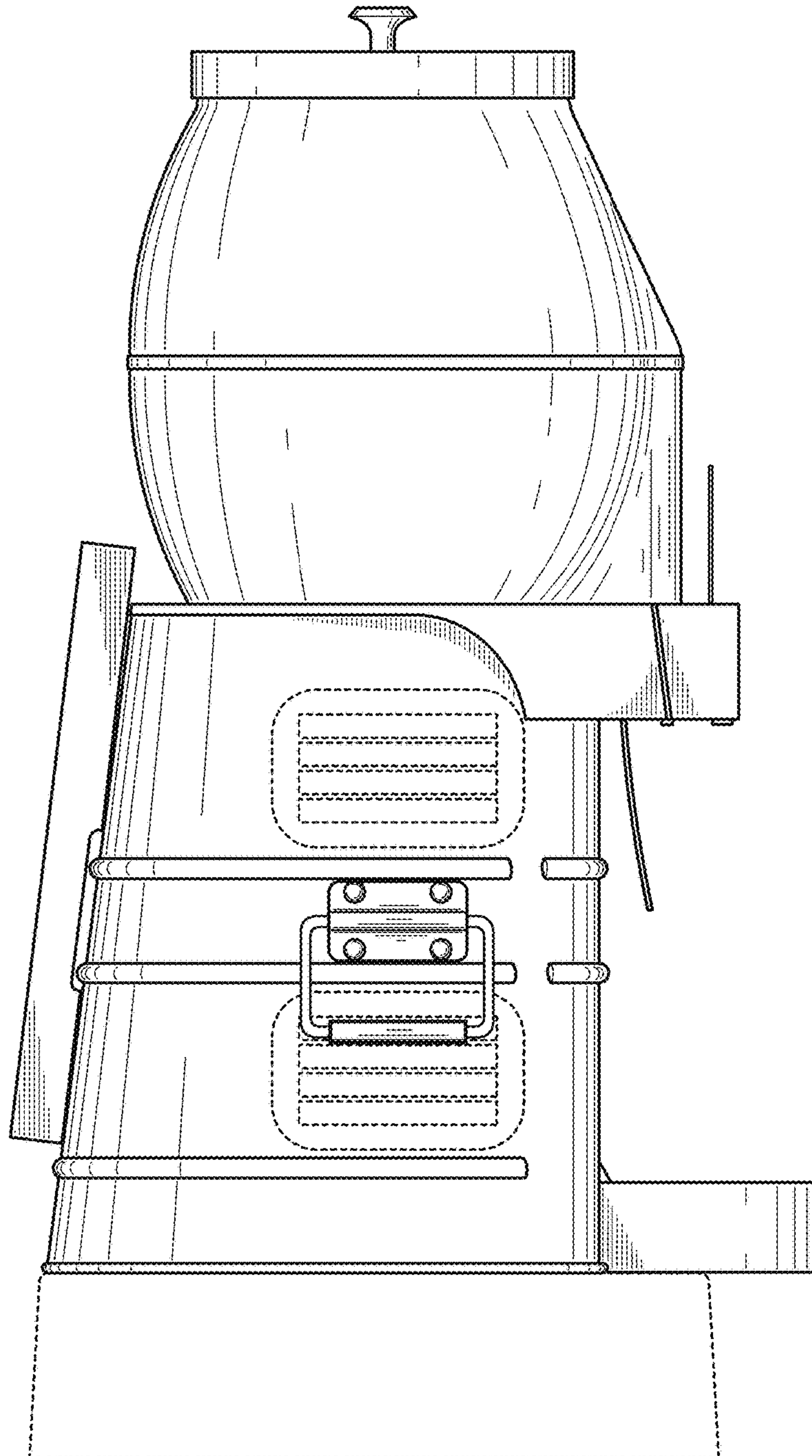


FIG. 2

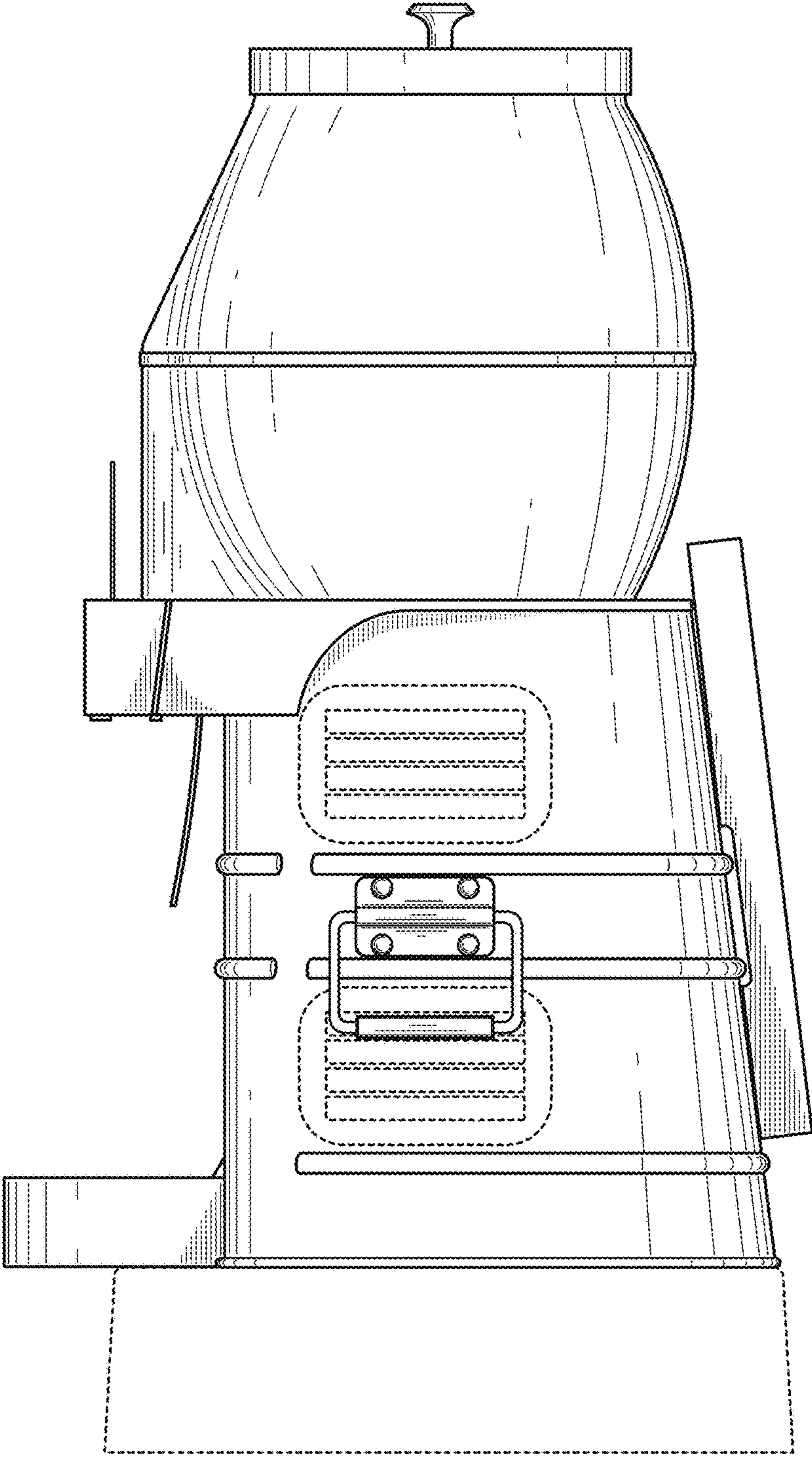


FIG. 3

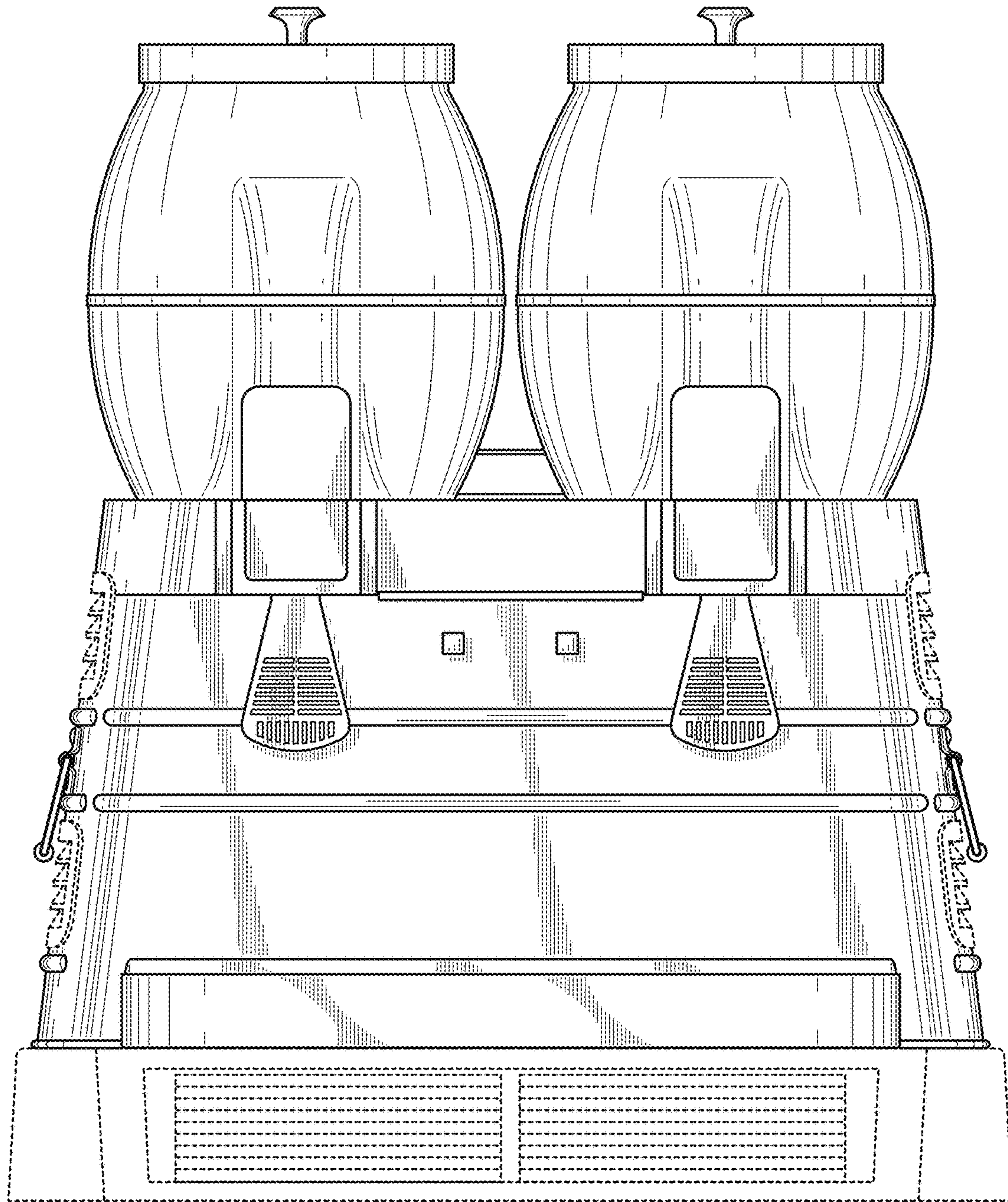


FIG. 4

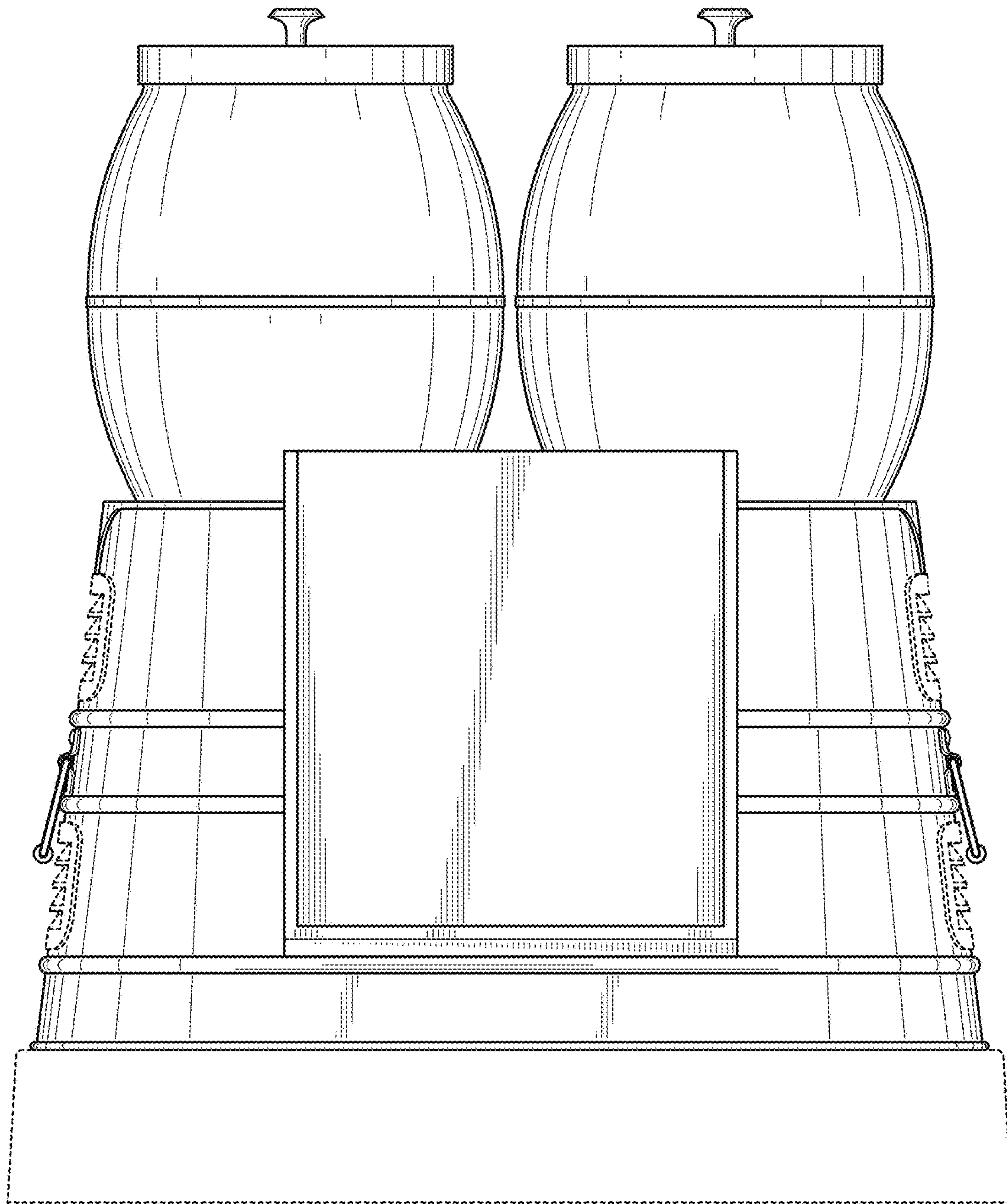


FIG. 5

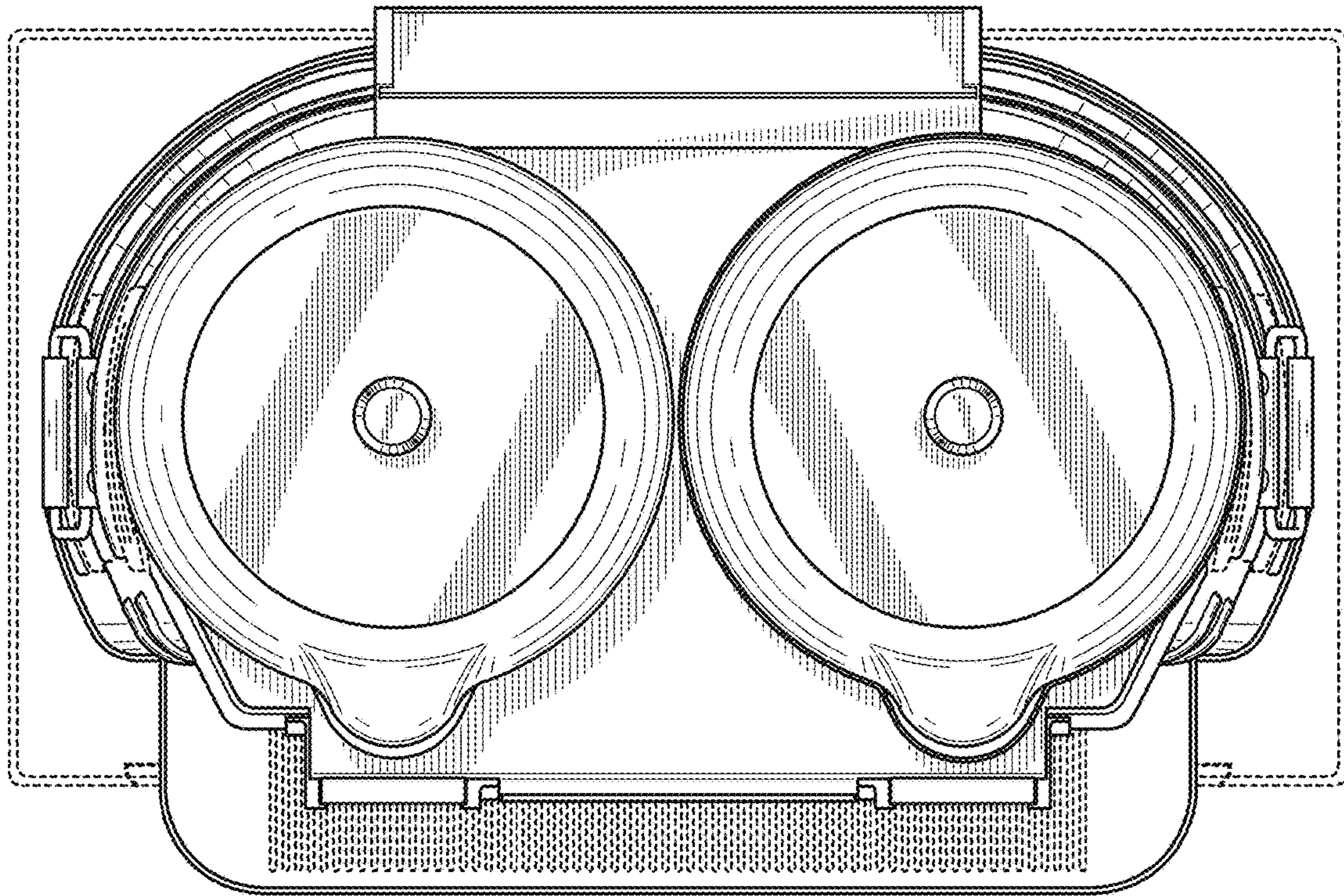


FIG. 6

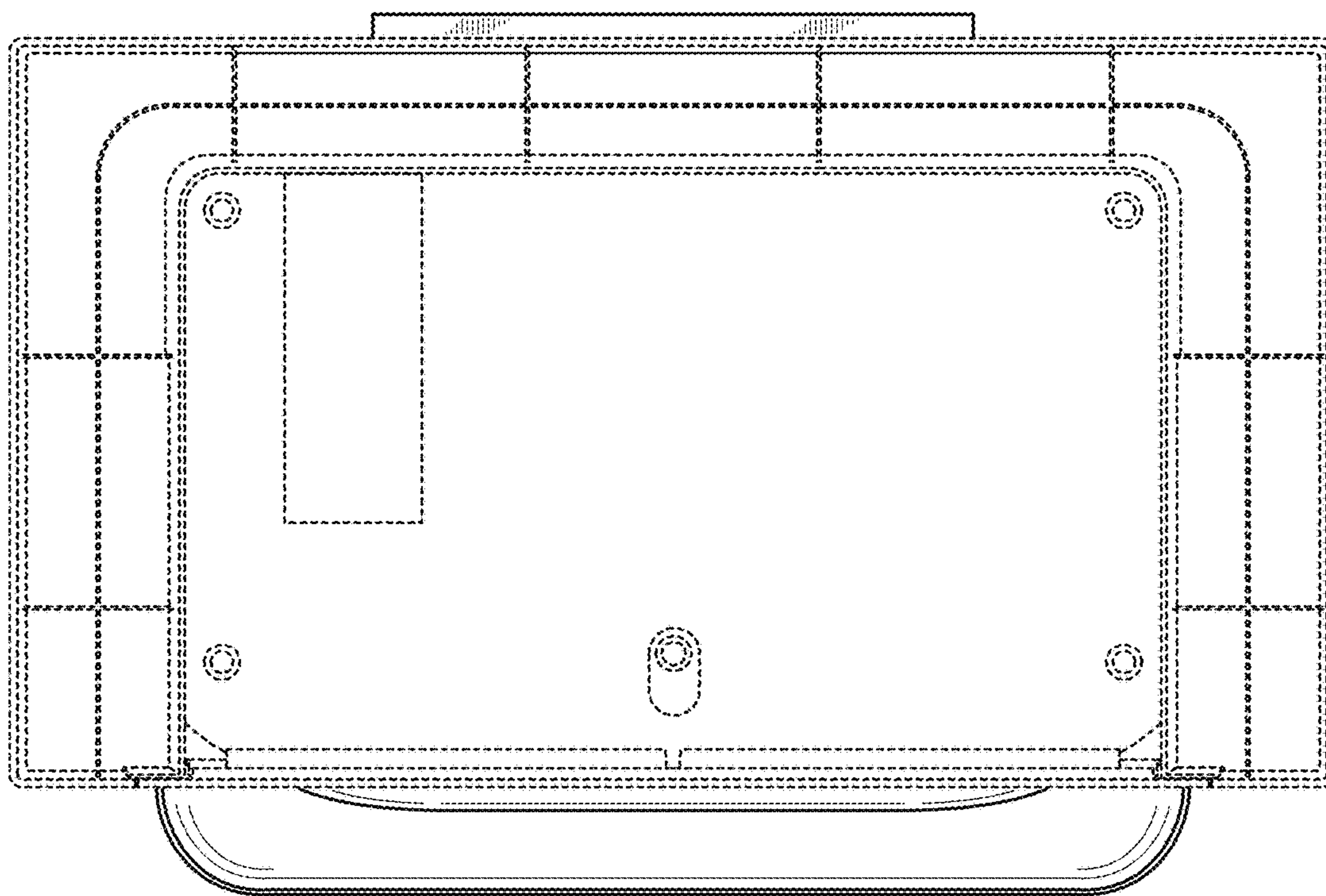


FIG. 7