



US00D850837S

(12) **United States Design Patent**
Bueno Nunez

(10) **Patent No.:** **US D850,837 S**
(45) **Date of Patent:** **** Jun. 11, 2019**

- (54) **JUG**
- (71) Applicant: **Agua Farma Plasticos, S.A. de C.V.**,
Zapopan, Jalisco (MX)
- (72) Inventor: **David Bueno Nunez**, Jalisco (MX)
- (73) Assignee: **AGUA FARMA PLASTICOS, S.A.**
DE C.V., Zapopan, Jalisco (MX)
- (**) Term: **15 Years**
- (21) Appl. No.: **29/600,600**
- (22) Filed: **Apr. 13, 2017**
- (51) **LOC (11) Cl.** **07-01**
- (52) **U.S. Cl.**
USPC **D7/306; D7/622**
- (58) **Field of Classification Search**
USPC D9/516, 520, 530, 531, 533, 535, 540,
D9/549, 550, 552, 557, 575, 633, 715,
D9/719; D34/39; D7/300, 305, 306, 622
CPC B65D 7/045; B65D 1/0223; B65D 11/06
See application file for complete search history.

(56) **References Cited**

U.S. PATENT DOCUMENTS

D97,580 S *	11/1935	RCingersall	220/DIG. 1
2,250,749 A *	7/1941	Cornelius	B65D 7/045
				220/4.04
2,809,035 A *	10/1957	Schumacher	A63J 3/00
				2/2.5
D238,550 S *	1/1976	Edwards	D9/633
D335,744 S *	5/1993	Small	D23/205
D340,386 S *	10/1993	McGourthy, Sr.	D34/39
D374,959 S *	10/1996	Mull	D34/39
D521,387 S *	5/2006	Little	D9/528

D529,749 S *	10/2006	Allen	D7/306
D541,157 S *	4/2007	Samartgis	D9/502
D610,024 S *	2/2010	Lepoitevin	D9/773
D676,755 S *	2/2013	Hein	D9/519
D716,094 S *	10/2014	Wang	D7/306
D747,970 S *	1/2016	Maas	D7/306
D752,840 S *	3/2016	Smeaton	D34/39
D778,661 S *	2/2017	Vazin	D7/306
2016/0326474 A1 *	11/2016	McKale	B65D 39/0041

* cited by examiner

Primary Examiner — Ian Simmons

Assistant Examiner — Keith Frank

(74) *Attorney, Agent, or Firm* — Lucas & Mercanti, LLP

(57) **CLAIM**

The ornamental design for a jug, as shown and described.

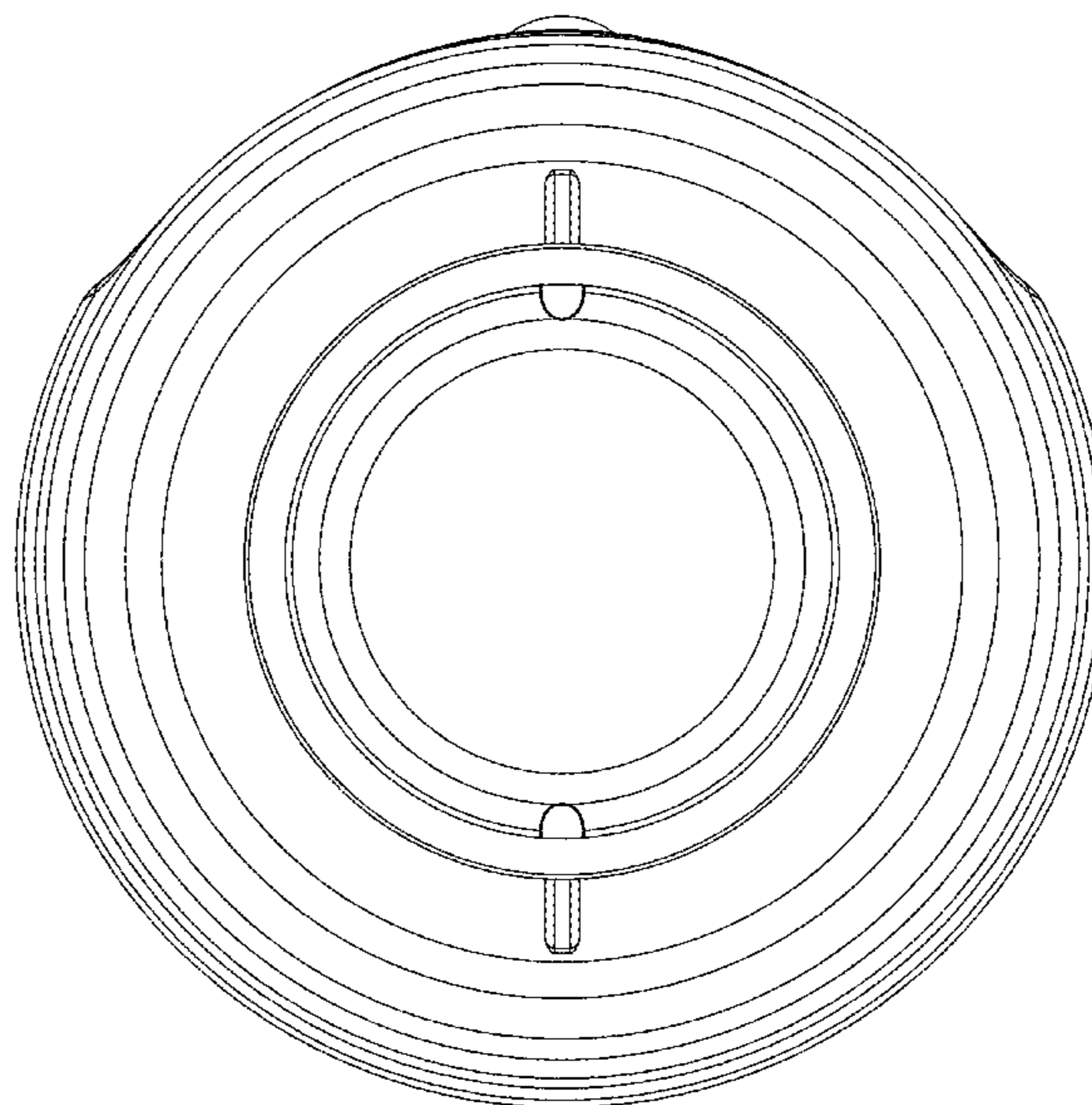
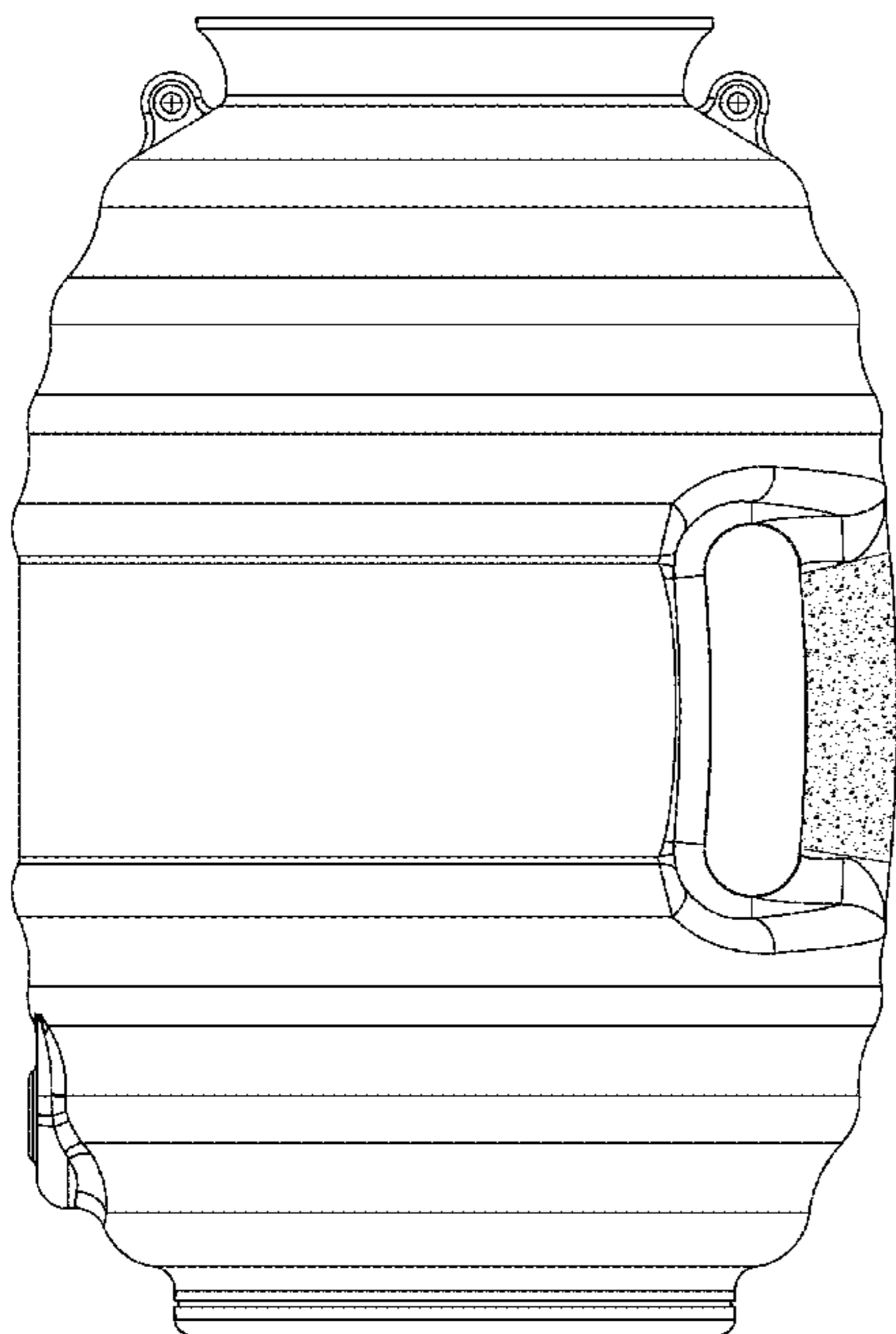
DESCRIPTION

FIG. 1 is a side elevation view of a jug showing our new design;
 FIG. 2 is an opposing side elevation view thereof;
 FIG. 3 is a front elevation view thereof;
 FIG. 4 is a rear elevation view thereof;
 FIG. 5 is a bottom plan view thereof;
 FIG. 6 is a top plan view thereof;
 FIG. 7 is a front perspective view thereof; and,
 FIG. 8 is a rear perspective view thereof.

The broken lines in the drawings showing of the jug illustrate the portions of the jug that form no part of the claimed design.

The stipple shading in the drawings illustrate a constricting appearance.

1 Claim, 8 Drawing Sheets



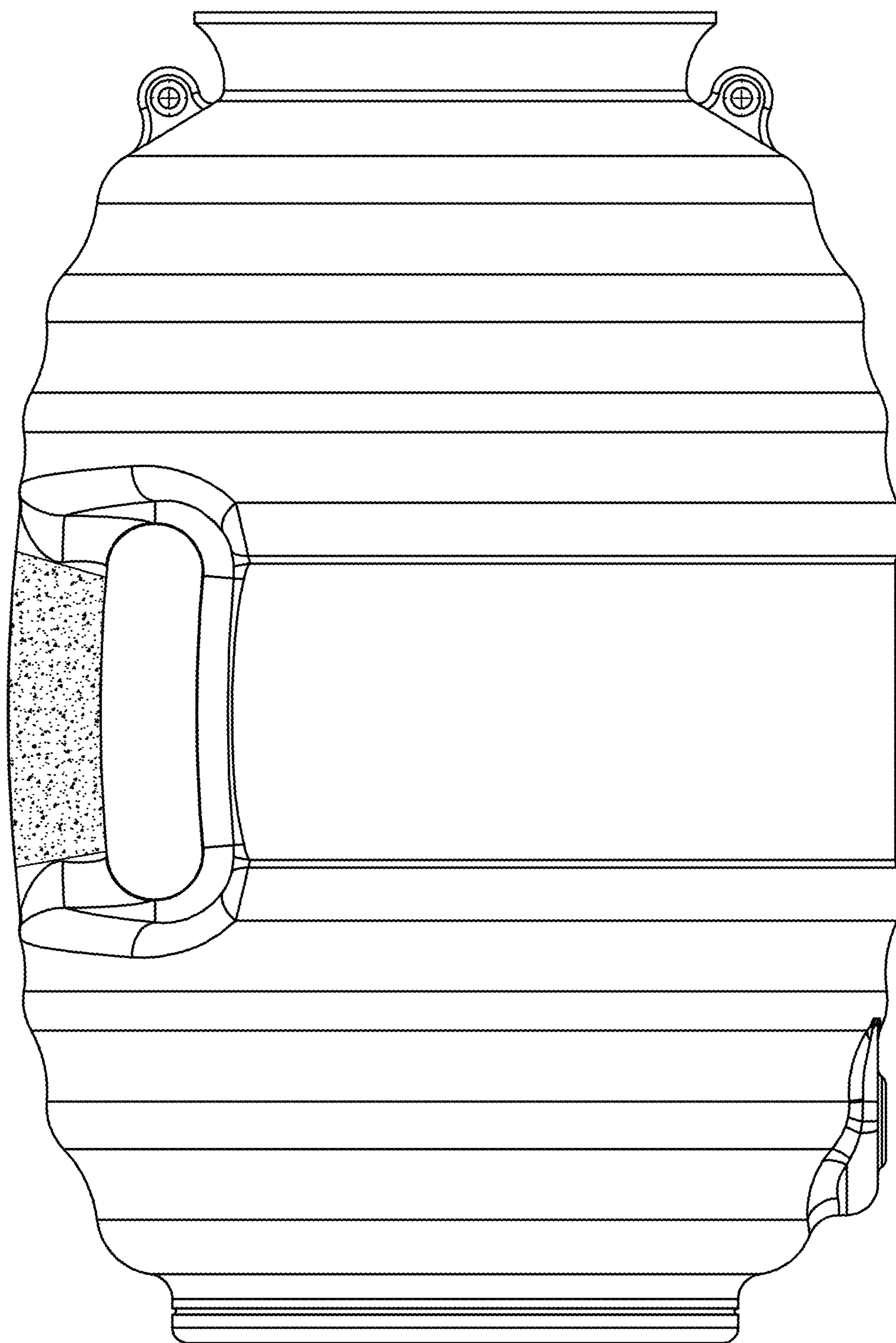


FIG. 1

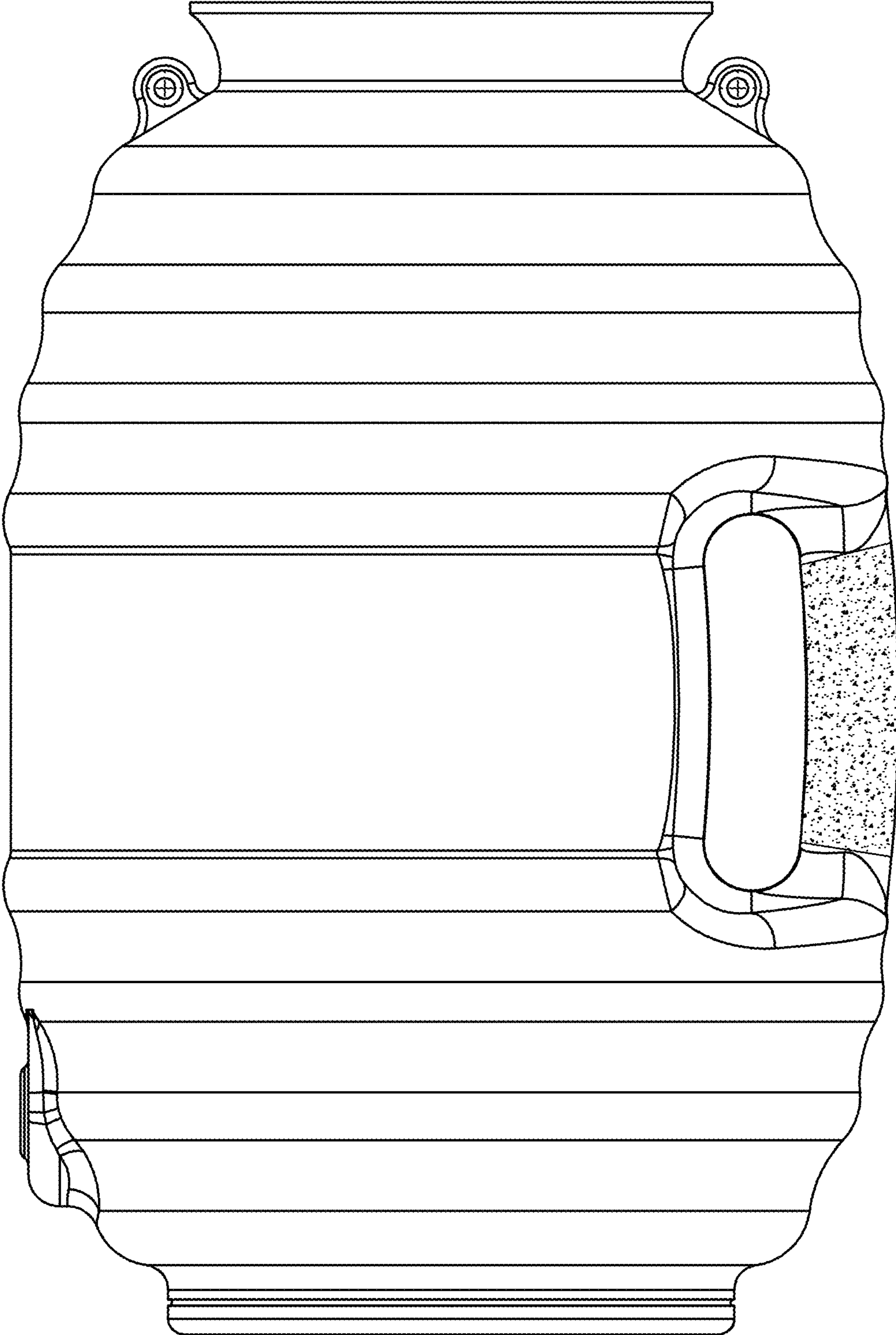


FIG. 2

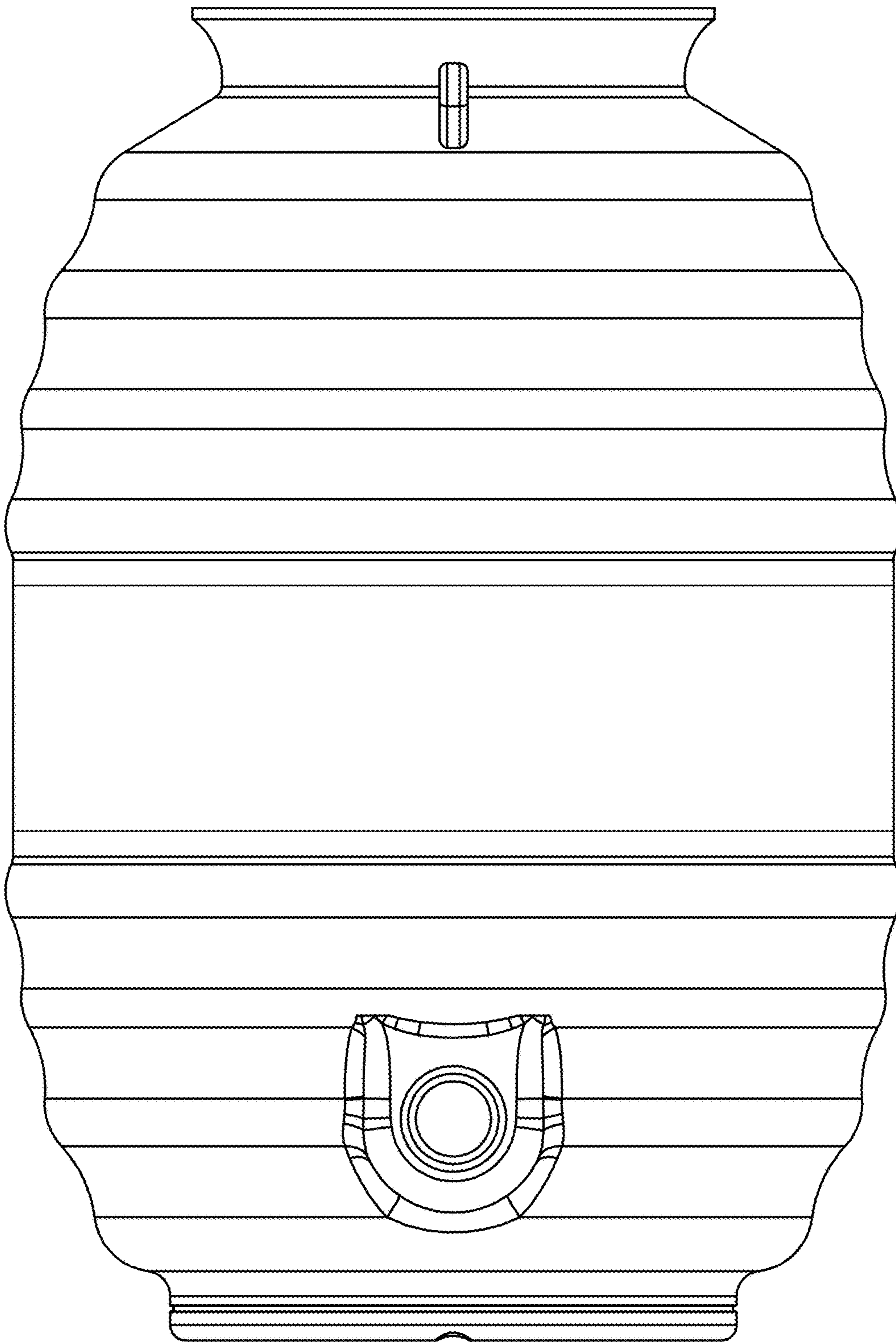


FIG. 3

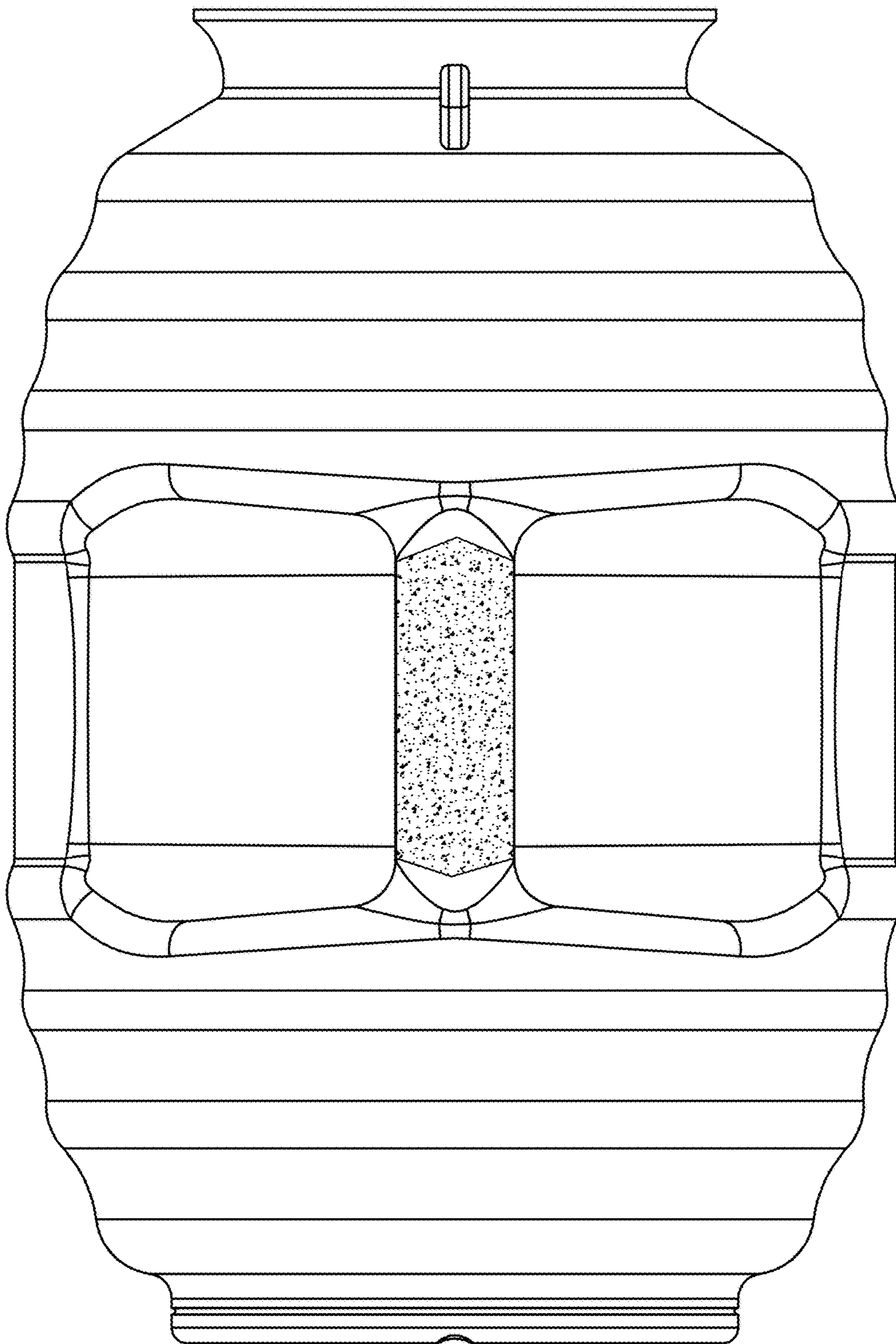


FIG. 4

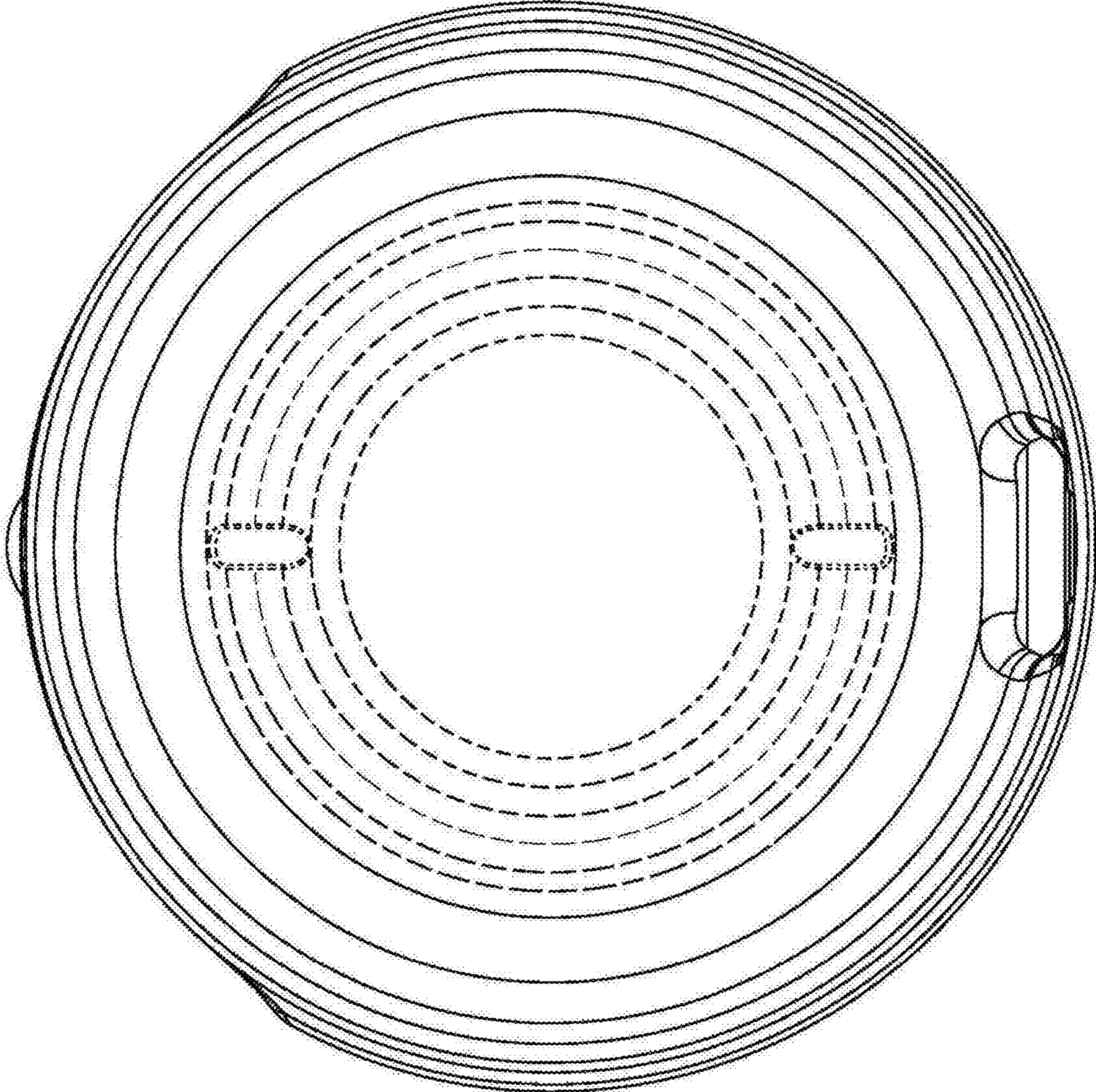


FIG. 5

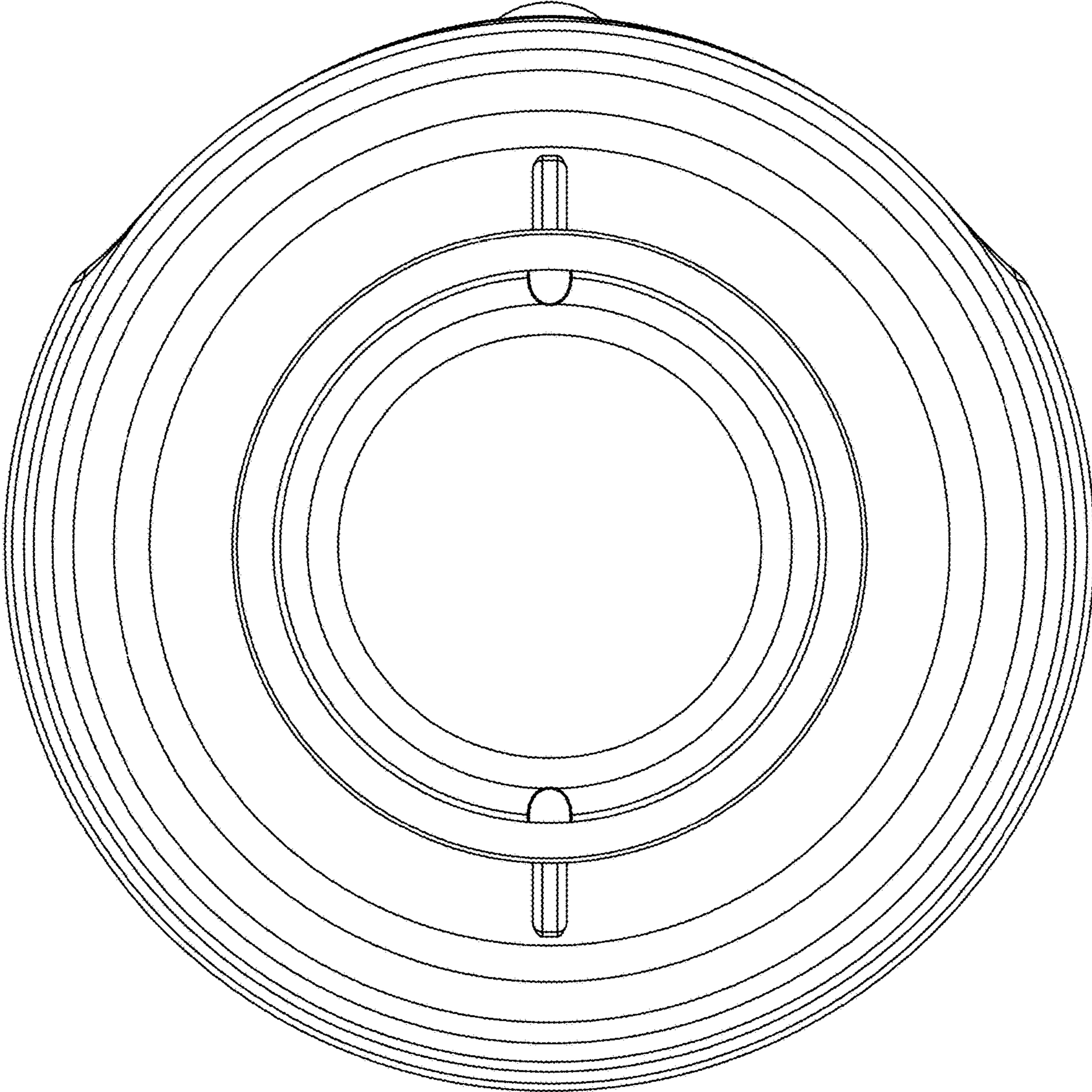


FIG. 6

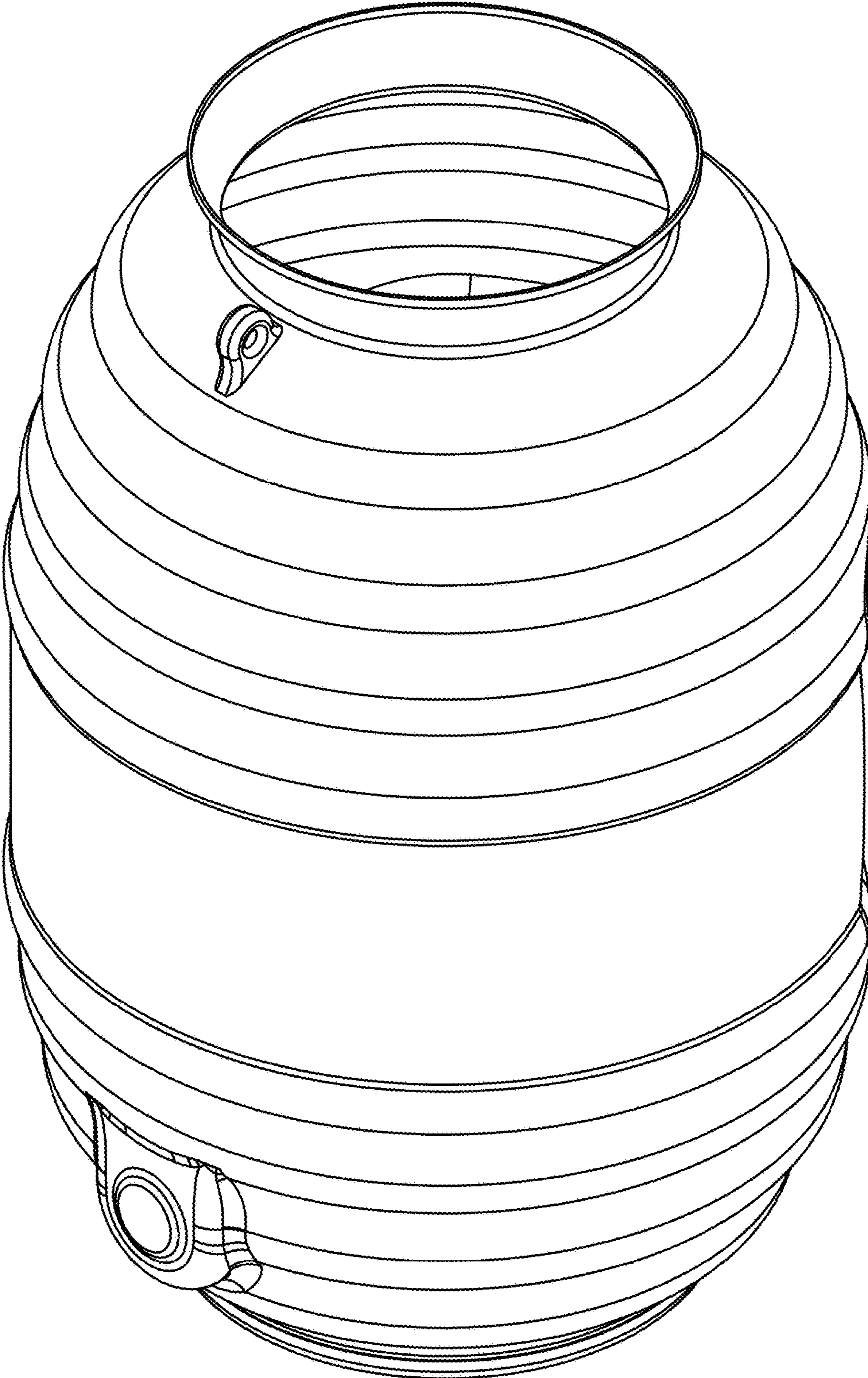


FIG. 7

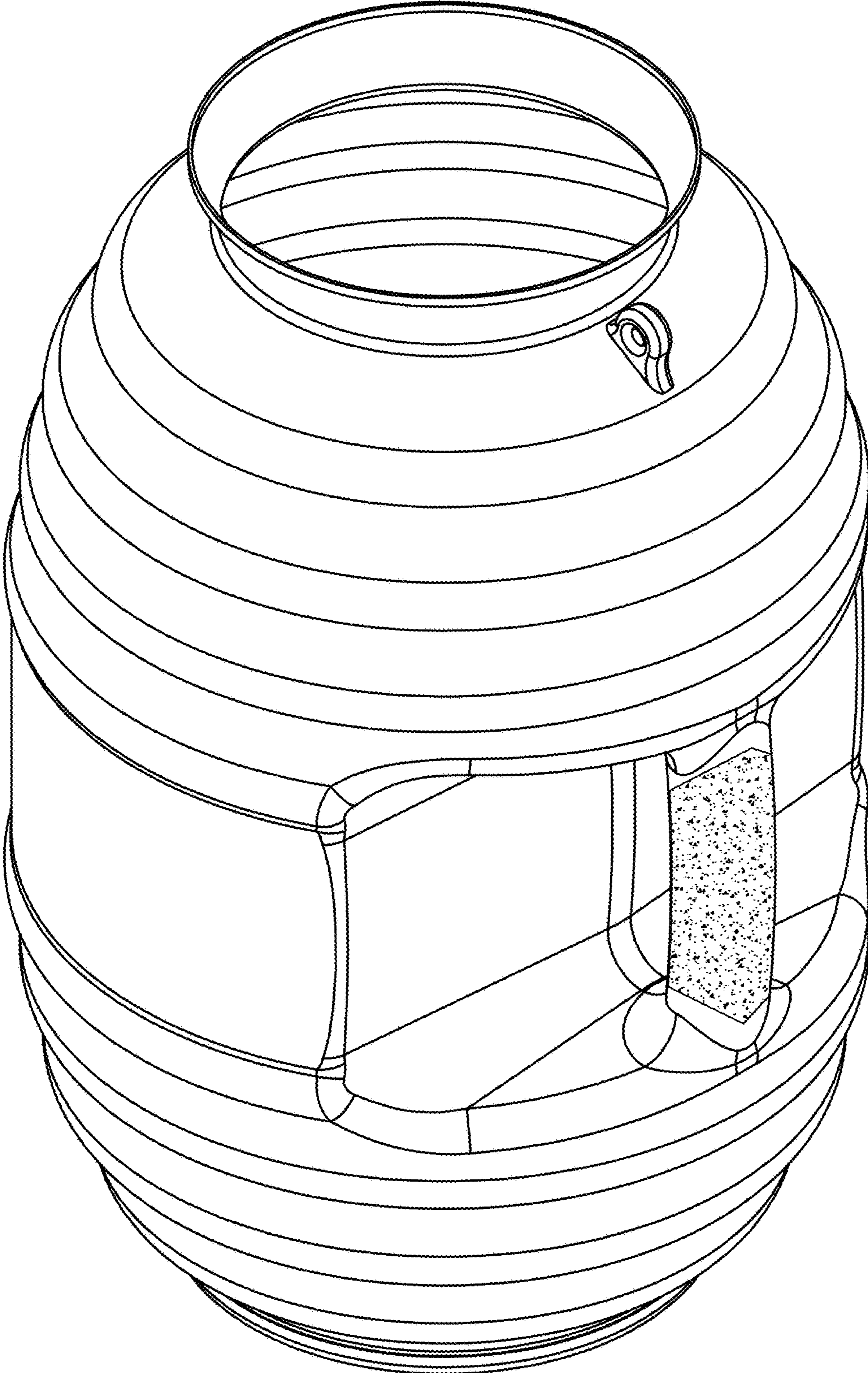


FIG. 8