



US00D850836S

(12) **United States Design Patent**  
**Zerhusen**

(10) **Patent No.:** **US D850,836 S**  
(45) **Date of Patent:** **\*\* Jun. 11, 2019**

(54) **FOOTRAIL**

(71) Applicant: **Hill-Rom Services, Inc.**, Batesville, IN (US)

(72) Inventor: **Robert M. Zerhusen**, Cincinnati, OH (US)

(73) Assignee: **Hill-Rom Services, Inc.**, Batesville, IN (US)

(\*\*) Term: **15 Years**

(21) Appl. No.: **29/628,771**

(22) Filed: **Dec. 7, 2017**

**Related U.S. Application Data**

(63) Continuation of application No. 29/566,375, filed on May 28, 2016, now Pat. No. Des. 804,883.

(51) **LOC (11) Cl.** ..... **06-06**

(52) **U.S. Cl.**  
USPC ..... **D6/718.3**

(58) **Field of Classification Search**  
USPC ..... D6/390, 391, 392, 718.3; D24/184, 183  
CPC ..... A61G 7/00; A61G 7/005; A61G 7/015;  
A61G 7/0506; A61G 7/0507; A61G  
7/0513

See application file for complete search history.

(56) **References Cited**

**U.S. PATENT DOCUMENTS**

421,656 A 2/1890 Blanken  
1,700,338 A 1/1929 Scoggins  
(Continued)

**FOREIGN PATENT DOCUMENTS**

WO WO 2006/058506 A1 6/2006

**OTHER PUBLICATIONS**

<http://www.arjohuntleigh.com/int/Product.asp?PageNumber=2571&ProductCategory.sub.--Id=128&Product.sub.--Id=202>, ArjoHuntleigh, Enterprise 8000 Hospital Bed, Date: No later than Apr. 28, 2009.

<http://www.arjohuntleigh.com/int/Product.asp?pagenumber=2571&Product.sub.--Id=291&ProductCategory.sub.--Id=128>, ArjoHuntleigh, Enterprise 9000 Hospital Bed, Date: No later than Apr. 28, 2009.  
<http://www.arjohuntleigh.com/int/ProductDetails.asp?PageNumber=2571&ProductCategory.sub.--Id=128&Product.sub.--Id=291>, ArjoHuntleigh, Enterprise 9000—Product Details—Nurse Handset, Date: No later than Apr. 28, 2009.

(Continued)

*Primary Examiner* — Cathron C Brooks

(74) *Attorney, Agent, or Firm* — Barnes & Thornburg LLP

(57) **CLAIM**

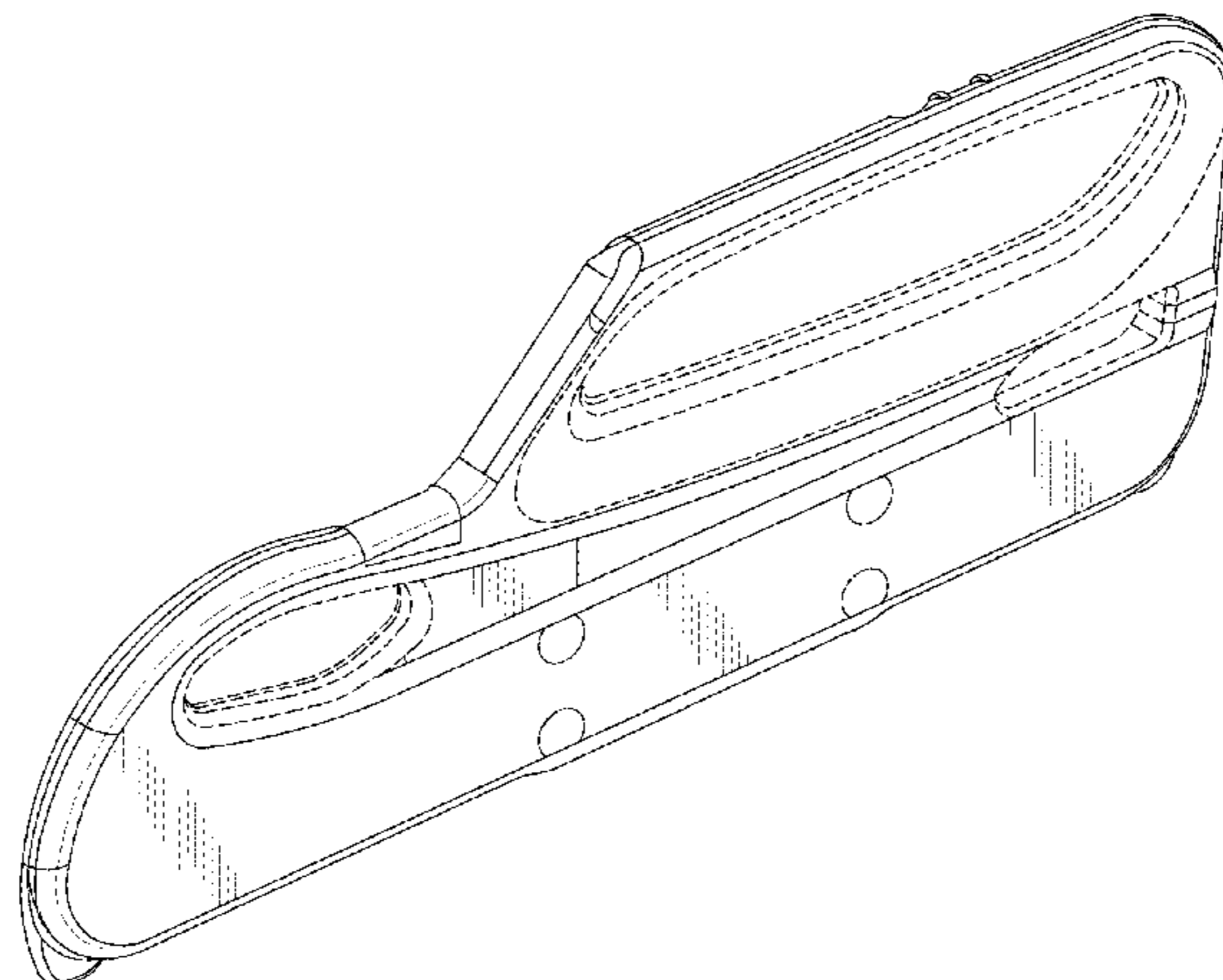
I claim the ornamental design for a footrail, as shown and described.

**DESCRIPTION**

FIG. 1 is a first side perspective view of one embodiment of the design of the footrail;  
FIG. 2 is a first side elevation view of the design of FIG. 1;  
FIG. 3 is a second side elevation view of the design of FIG. 1;  
FIG. 4 is a top plan view of the design of FIG. 1;  
FIG. 5 is a bottom plan view of the design of FIG. 1;  
FIG. 6 is a front elevation view of the design of FIG. 1;  
FIG. 7 is a rear elevation view of the design of FIG. 1;  
FIG. 8 is a second side perspective view of the design of FIG. 1;  
FIG. 9 is a first side perspective view of another embodiment of the design of the footrail;  
FIG. 10 is a first side elevation view of the design of FIG. 9;  
FIG. 11 is a second side elevation view of the design of FIG. 9;  
FIG. 12 is a top plan view of the design of FIG. 9;  
FIG. 13 is a bottom plan view of the design of FIG. 9;  
FIG. 14 is a front elevation view of the design of FIG. 9;  
FIG. 15 is a rear elevation view of the design of FIG. 9; and,  
FIG. 16 is a second side perspective view of the design of FIG. 9.

The features shown in broken lines depict environmental subject matter only and form no part of claimed design.

**1 Claim, 12 Drawing Sheets**



(56)

References Cited

U.S. PATENT DOCUMENTS

2,136,088 A	11/1938	Stevens	5,513,406 A	5/1996	Foster et al.
D158,433 S	5/1950	Bevelacqua	5,542,138 A	8/1996	Williams et al.
2,587,291 A	2/1952	Rochers	5,577,277 A	11/1996	Sundberg et al.
2,722,017 A	11/1955	Burst et al.	5,586,346 A	12/1996	Stacy et al.
2,747,919 A	5/1956	Ferneau et al.	5,623,736 A	4/1997	Soltani et al.
3,018,492 A	1/1962	Rosen	5,682,631 A	11/1997	Weismiller et al.
3,321,779 A	5/1967	Kaufman et al.	5,689,839 A	11/1997	Laganieri et al.
3,506,989 A	4/1970	Ross et al.	5,732,423 A	3/1998	Weismiller et al.
3,585,659 A	6/1971	Burst et al.	5,774,914 A	7/1998	Johnson et al.
D229,381 S	11/1973	Benoit	5,781,945 A	7/1998	Scherer et al.
3,806,109 A	4/1974	Weber et al.	5,802,636 A	9/1998	Corbin et al.
3,905,591 A	9/1975	Schorr et al.	5,906,017 A	5/1999	Ferrand et al.
3,932,903 A	1/1976	Adams et al.	6,021,533 A	2/2000	Ellis et al.
D240,867 S	8/1976	Blumberg	6,058,531 A	5/2000	Carroll
D248,406 S	7/1978	Hodge	6,073,289 A	6/2000	Bolden et al.
D249,359 S	9/1978	Stott et al.	6,141,806 A	11/2000	Bobey et al.
4,183,015 A	1/1980	Drew et al.	D436,474 S	1/2001	Morren
4,186,456 A	2/1980	Huempfnier	6,185,767 B1	2/2001	Brooke et al.
4,214,326 A	7/1980	Spann	6,240,580 B1	6/2001	Hamilton et al.
4,215,446 A	8/1980	Mahoney	6,240,583 B1	6/2001	Brooke et al.
D272,395 S	1/1984	Sonder et al.	6,363,552 B1	4/2002	Hornbach et al.
4,439,880 A	4/1984	Koncelik et al.	6,389,622 B1	5/2002	Her
4,592,104 A	6/1986	Foster et al.	D458,481 S	6/2002	Brooke
4,646,211 A	2/1987	Gallant et al.	D459,119 S	6/2002	Brooke
4,653,129 A	3/1987	Kuck et al.	D463,179 S	9/2002	Brooke
D289,951 S	5/1987	Goodwin	D479,070 S	9/2003	Goodwin et al.
4,676,687 A	6/1987	Koffler	6,622,364 B2	9/2003	Hamilton et al.
4,724,555 A	2/1988	Poehner et al.	6,640,360 B2	11/2003	Hornbach et al.
D295,892 S	5/1988	Feldt	D488,941 S	4/2004	Lemire et al.
4,745,647 A	5/1988	Goodwin	D488,942 S	4/2004	Lemire et al.
4,811,435 A	3/1989	Foster et al.	6,721,975 B1	4/2004	Lemire
D300,657 S	4/1989	Simpkins et al.	6,779,209 B2	8/2004	Ganance
4,827,545 A	5/1989	Arp	6,951,036 B2	10/2005	Lemire
D301,411 S	6/1989	Schlapp	7,073,220 B2	7/2006	Simmonds et al.
4,847,929 A	7/1989	Pupovic	7,076,818 B2	7/2006	Kummer et al.
D304,614 S	11/1989	Guttormsen	7,107,637 B2	9/2006	Kuek et al.
4,912,787 A	4/1990	Bradovich	7,150,058 B2	12/2006	Rabska
4,935,968 A	6/1990	Hunt et al.	D553,382 S	10/2007	Hayes et al.
4,985,946 A	1/1991	Foster et al.	7,296,312 B2	11/2007	Menkedick
4,998,939 A	3/1991	Potthast et al.	7,406,731 B2	8/2008	Menkedick
5,023,967 A	6/1991	Ferrand	D583,954 S	12/2008	Genelli
5,035,014 A	7/1991	Blanchard	7,487,558 B2	2/2009	Risk, Jr. et al.
5,072,463 A	12/1991	Willis	D604,421 S	11/2009	Albrecht et al.
5,072,906 A	12/1991	Foster	D604,422 S	11/2009	Albrecht et al.
5,077,843 A	1/1992	Dale et al.	7,644,457 B2	1/2010	Hensley
5,083,334 A	1/1992	Huck et al.	7,712,166 B2	5/2010	Stryker et al.
5,084,925 A	2/1992	Cook	D616,678 S	6/2010	Heimbrock et al.
5,117,521 A	6/1992	Foster et al.	D616,679 S	6/2010	Heimbrock et al.
5,121,513 A	6/1992	Thomas et al.	D617,586 S	6/2010	Heimbrock et al.
5,129,117 A	7/1992	Celestina et al.	D617,587 S	6/2010	Heimbrock et al.
5,179,744 A	1/1993	Foster et al.	D617,588 S	6/2010	Heimbrock et al.
5,195,200 A	3/1993	Leoutsakos	D617,589 S	6/2010	Heimbrock et al.
D336,577 S	6/1993	Celestina et al.	7,761,939 B2 *	7/2010	Wiggins ..... A61G 7/0507 5/424
D336,578 S	6/1993	Celestina	7,784,125 B2	8/2010	Morin et al.
5,216,768 A	6/1993	Bodine et al.	D627,985 S	11/2010	Salus
5,269,030 A	12/1993	Pahno et al.	D628,416 S	12/2010	Heimbrock et al.
5,269,388 A	12/1993	Reichow et al.	7,895,689 B2	3/2011	Hayes et al.
D344,802 S	3/1994	Kuck et al.	7,930,778 B2	4/2011	Wu et al.
5,299,338 A	4/1994	Foster	D637,020 S	5/2011	Heimbrock et al.
5,317,769 A	6/1994	Weismiller et al.	7,962,979 B1	6/2011	Hime
5,337,430 A	8/1994	Schlein	D640,887 S	7/2011	Heimbrock et al.
5,337,845 A	8/1994	Foster et al.	7,971,291 B2	7/2011	Stryker et al.
D351,742 S	10/1994	Phleps et al.	7,986,242 B2	7/2011	Dixon et al.
5,370,111 A	12/1994	Reeder et al.	8,143,846 B2	3/2012	Herman et al.
5,377,371 A	1/1995	Foster	D656,762 S	4/2012	Fejt
5,381,571 A	1/1995	Gabhart	8,205,280 B2	6/2012	Hensley et al.
5,394,581 A	3/1995	Leoutsakos	8,266,741 B2	9/2012	Penninger et al.
5,396,673 A	3/1995	Foster	8,296,884 B2	10/2012	Heimbrock
5,398,357 A	3/1995	Foster	8,341,777 B2	1/2013	Hensley et al.
5,398,359 A	3/1995	Foster	8,341,778 B2	1/2013	Heimbrock
5,454,126 A	10/1995	Foster et al.	8,381,337 B2	2/2013	Zerhusen et al.
5,455,975 A	10/1995	Foster	8,387,179 B2	3/2013	Metz et al.
5,461,673 A	10/1995	Coons	8,413,270 B2	4/2013	Turner et al.
5,479,666 A	1/1996	Foster et al.	D707,480 S	6/2014	Heimbrock
5,481,772 A	1/1996	Glynn et al.	D707,483 S	6/2014	Heimbrock
			D710,507 S	8/2014	Leng et al.
			D710,509 S	8/2014	Leng et al.
			D710,510 S	8/2014	Leng et al.

(56)

## References Cited

## OTHER PUBLICATIONS

## U.S. PATENT DOCUMENTS

D804,883 S 12/2017 Zerhusen  
 2002/0002742 A1 1/2002 Osborne et al.  
 2004/0177443 A1 9/2004 Simmonds  
 2005/0172405 A1 8/2005 Menkedick et al.  
 2006/0038098 A1 2/2006 Metz  
 2006/0059621 A1 3/2006 Poulos  
 2006/0075560 A1 4/2006 Osborne et al.  
 2006/0168729 A1 8/2006 Weismiller et al.  
 2007/0050910 A1 3/2007 Blanchard et al.  
 2007/0130692 A1 6/2007 Lemire et al.  
 2007/0151027 A1 7/2007 Hensley et al.  
 2007/0163043 A1 7/2007 Lemire et al.  
 2007/0169268 A1 7/2007 Lemire et al.  
 2007/0174965 A1 8/2007 Lemire et al.  
 2007/0294828 A1 12/2007 Hornbach et al.  
 2008/0005838 A1 1/2008 Wan Fong et al.  
 2008/0201847 A1 8/2008 Menkedick et al.  
 2009/0031498 A1 2/2009 Girard et al.  
 2009/0119839 A1 5/2009 Guguin  
 2009/0188731 A1 7/2009 Zerhusen et al.  
 2009/0229049 A1 9/2009 Heimbrock  
 2009/0229050 A1 9/2009 Heimbrock  
 2011/0010851 A1 1/2011 Zerhusen  
 2011/0010861 A1 1/2011 Heimbrock et al.  
 2011/0119828 A1 5/2011 Hensley et al.  
 2011/0191957 A1 8/2011 Hornbach et al.  
 2011/0214234 A1 9/2011 Herman  
 2011/0231996 A1 9/2011 Lemire et al.  
 2011/0248672 A1 10/2011 Herman et al.  
 2011/0258779 A1 10/2011 Derenne et al.  
 2011/0277242 A1 11/2011 Dionne et al.  
 2012/0151678 A1 6/2012 Richards  
 2013/0019405 A1 1/2013 Flanagan et al.  
 2014/0313700 A1 10/2014 Connell et al.  
 2015/0164722 A1 6/2015 Roussy et al.  
 2016/0193095 A1 7/2016 Roussy et al.

[http://www.arjohuntleigh.com/int/ProductDetails.asp?PageNurnber=2571&Product\\_Category.sub.--Id=128&Product.sub.--Id=291](http://www.arjohuntleigh.com/int/ProductDetails.asp?PageNurnber=2571&Product_Category.sub.--Id=128&Product.sub.--Id=291), ArjoHuntleigh, Enterprise 9000—Product Details—Plug in controls allow for easy changes, Date: No later than Apr. 28, 2009.  
 Photo # 1297 (Hill-Rom Clinitron Rite-Hite), Date: No later than Feb. 14, 2009.  
 Photo # 1299 (Hill-Rom 1000), Date: No later than Feb. 14, 2009.  
 Photo # 1304 (Hill-Rom Efica CC), Date: No later than Dec, 1994.  
 Photo # 1305 (Hill-Rom Clinitron Elexis), Date: No later than Dec. 1993.  
 Photo # 1306 (Hill-Rom Clinitron Elexis), Date: No later than Dec. 1993.  
 Photo # 1307 (Hill-Rom Affinity), Date: No later than Feb. 14, 2009.  
 Photo # 1309 (Hill-Rom Clinitron), Date: No later than Feb. 14, 2009.  
 Med/Surg “Go Bed +”; 2 page product brochure; Stryker Medical, copyright 01/02.  
 No. 21-75 Grouping/Early American finished in No. 28 Maple, Hill-Rom, 1962, 1 page.  
 No. 16-75 Grouping/Italian Provincial finished in No. 69 Cathedral Oak, Hill-Rom, 1962, 1 page.  
 No. 2101-1 Grouping/Early American finished in No. 28 Maple, Hill-Rom, 1962, 1 page.  
 The Advance 2000® Bed from Hill-Rom, Hill-Rom 1993, 18 pages.  
 A Hill-Rom Solution Affinity II Bed, Hill-Rom 1996, 6 pages.  
 Affinity® Three Birthing Bed, Hill-Rom Services, Inc. 2000, 2 pages.  
 TotalCare® Connect Bed and TotalCare® Bed, Options and Accessories, Hill-Rom Services, Inc. 2008, 8 pages.  
 Hill-Rome Med-Surg Beds Traction Catalog Part Descriptions and Ordering Information, Hill-Rom Services, Inc, 2007, 12 pages.  
 User Manual TotalCare® Bed System from Hill-Rom, Product No. P1900-00, Hill-Rom Services, Inc, 2000, 64 pages.  
 A Hill-Rom Solution Totalcare Bed System, Hill-Rom 1998, 8 pages.

\* cited by examiner

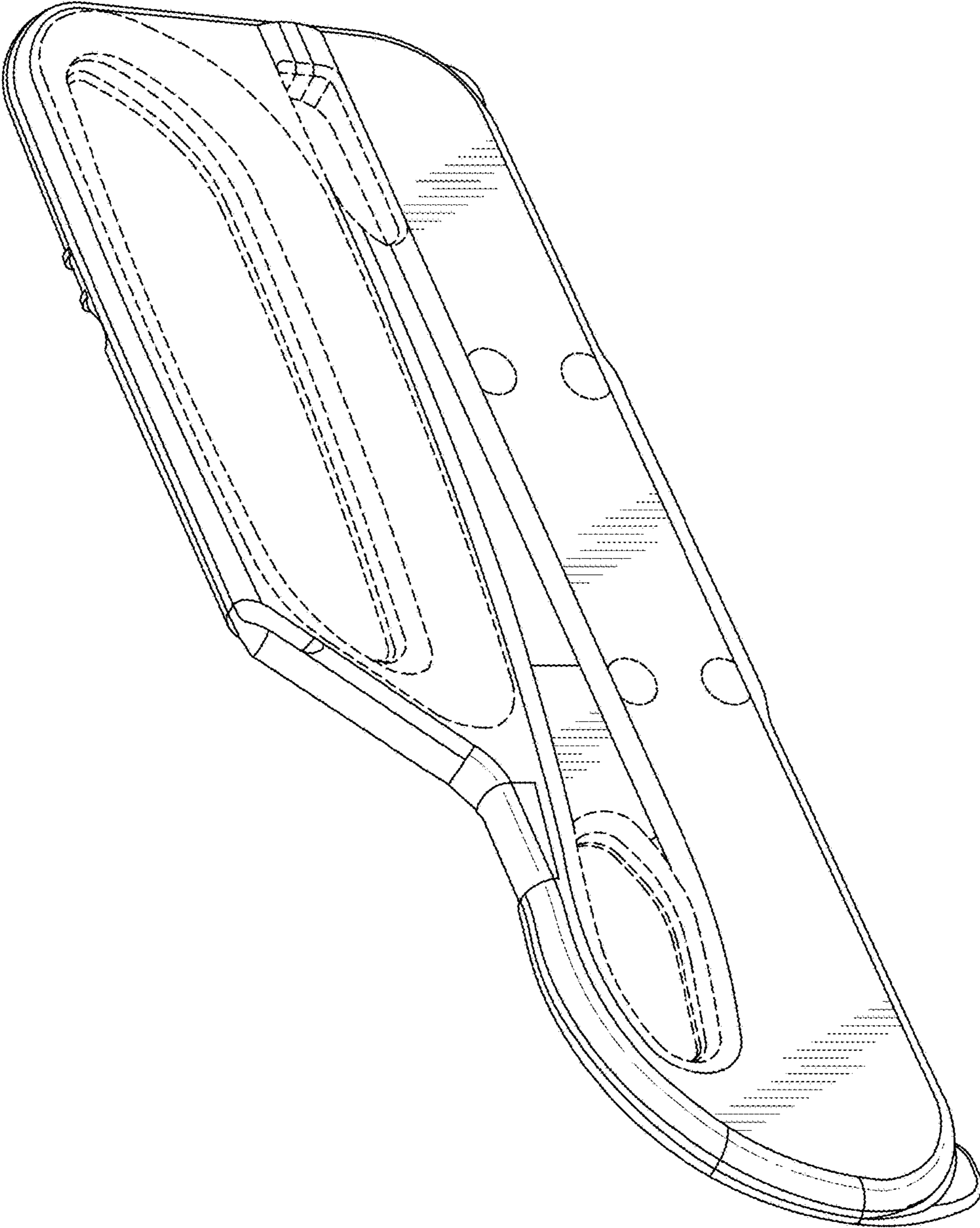


Fig. 1

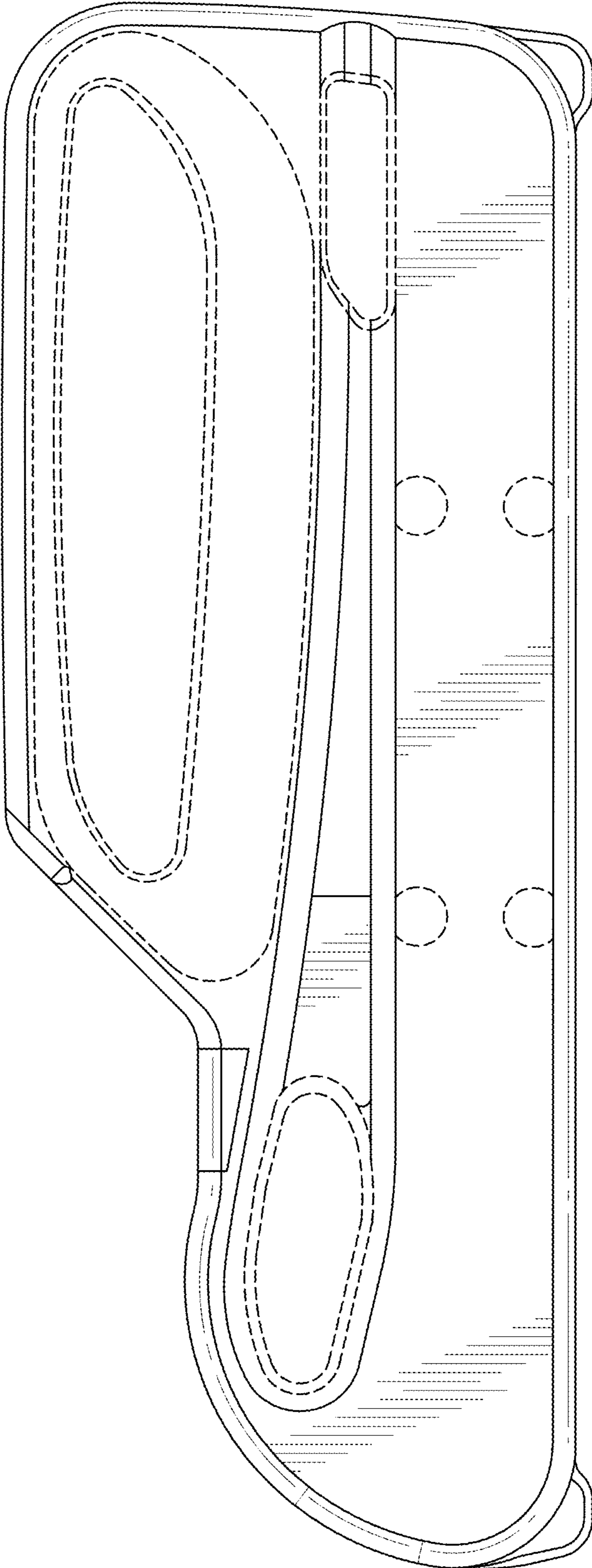


Fig. 2

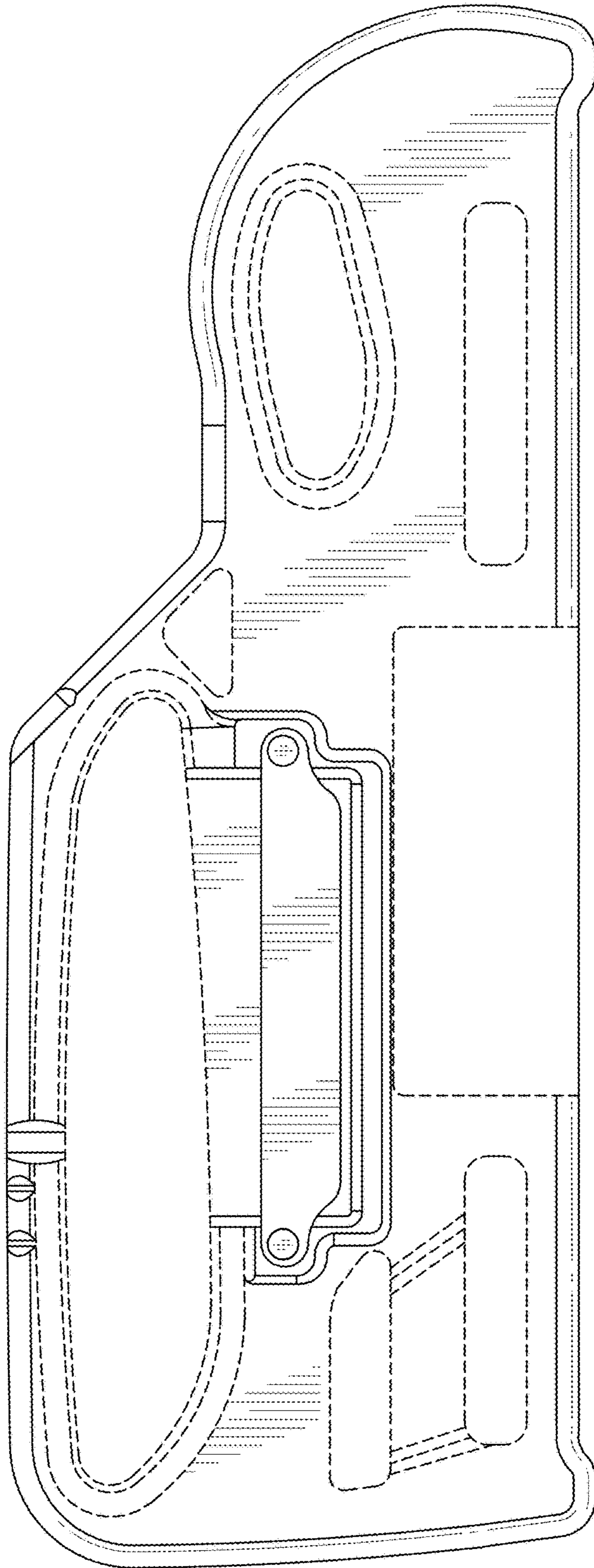


Fig. 3

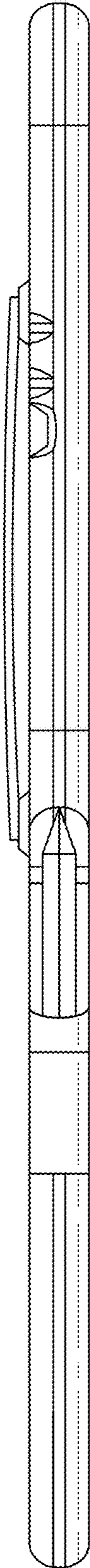


Fig. 4

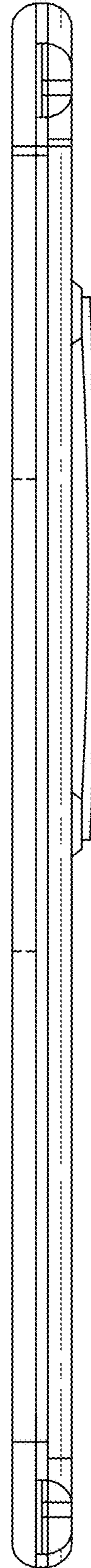


Fig. 5

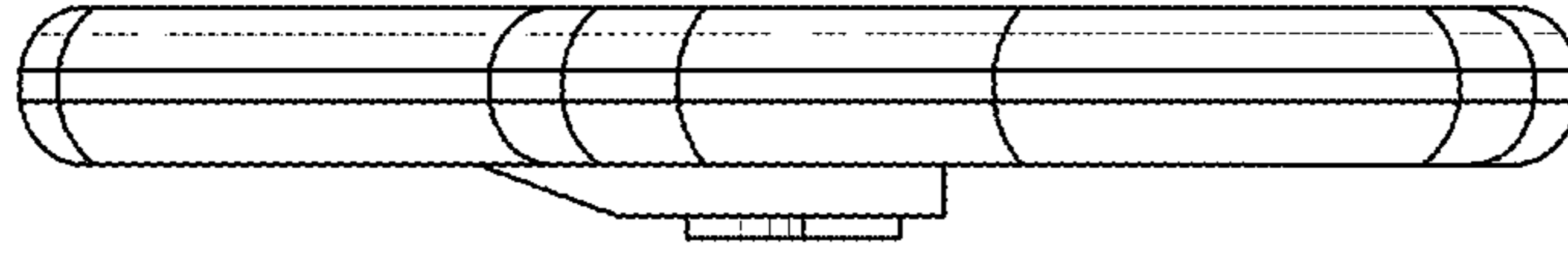


Fig. 7

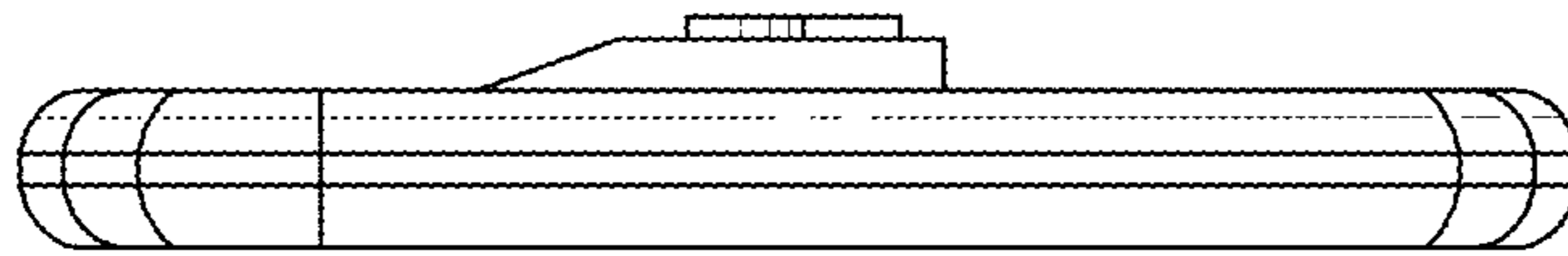


Fig. 6



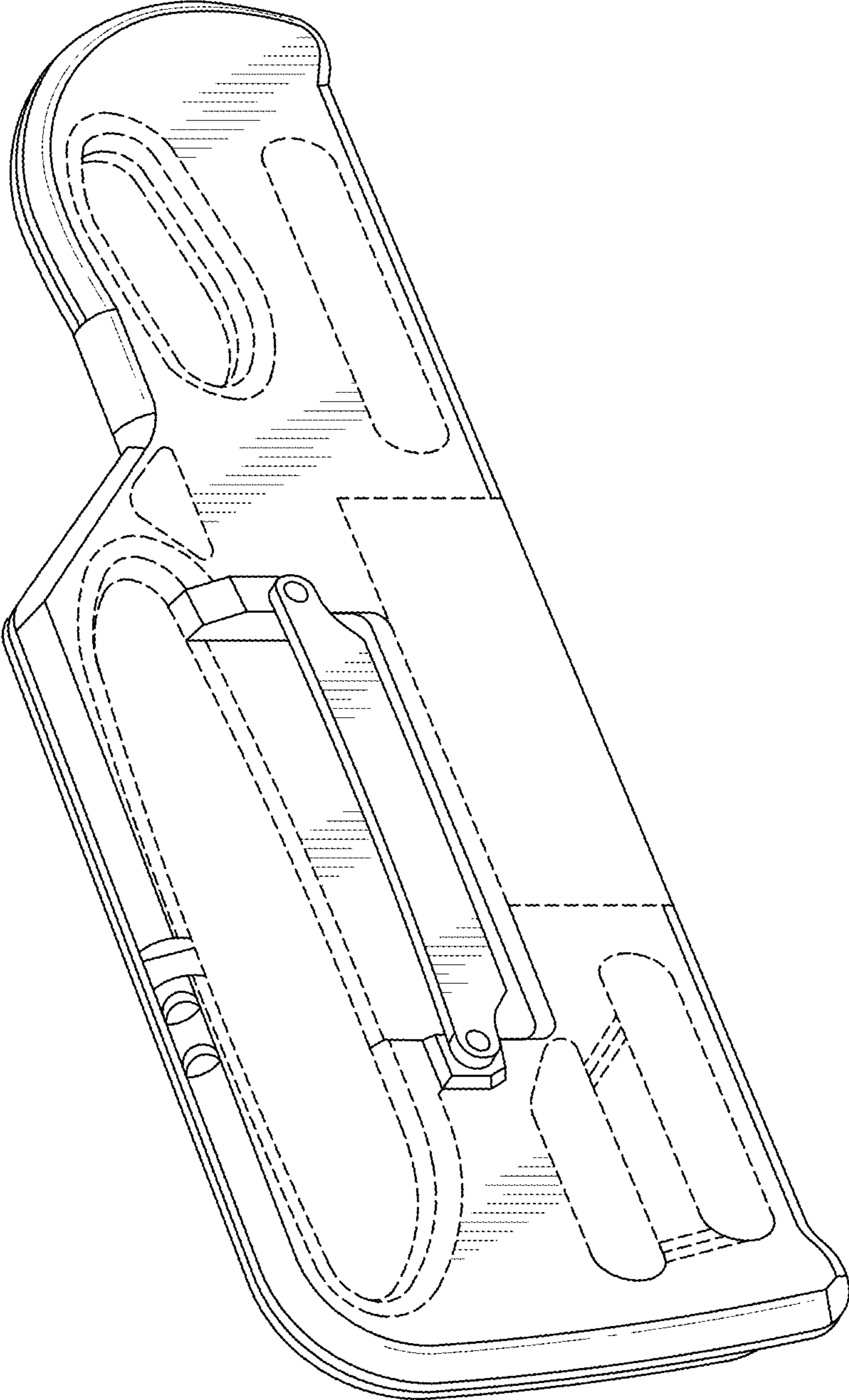


Fig. 8

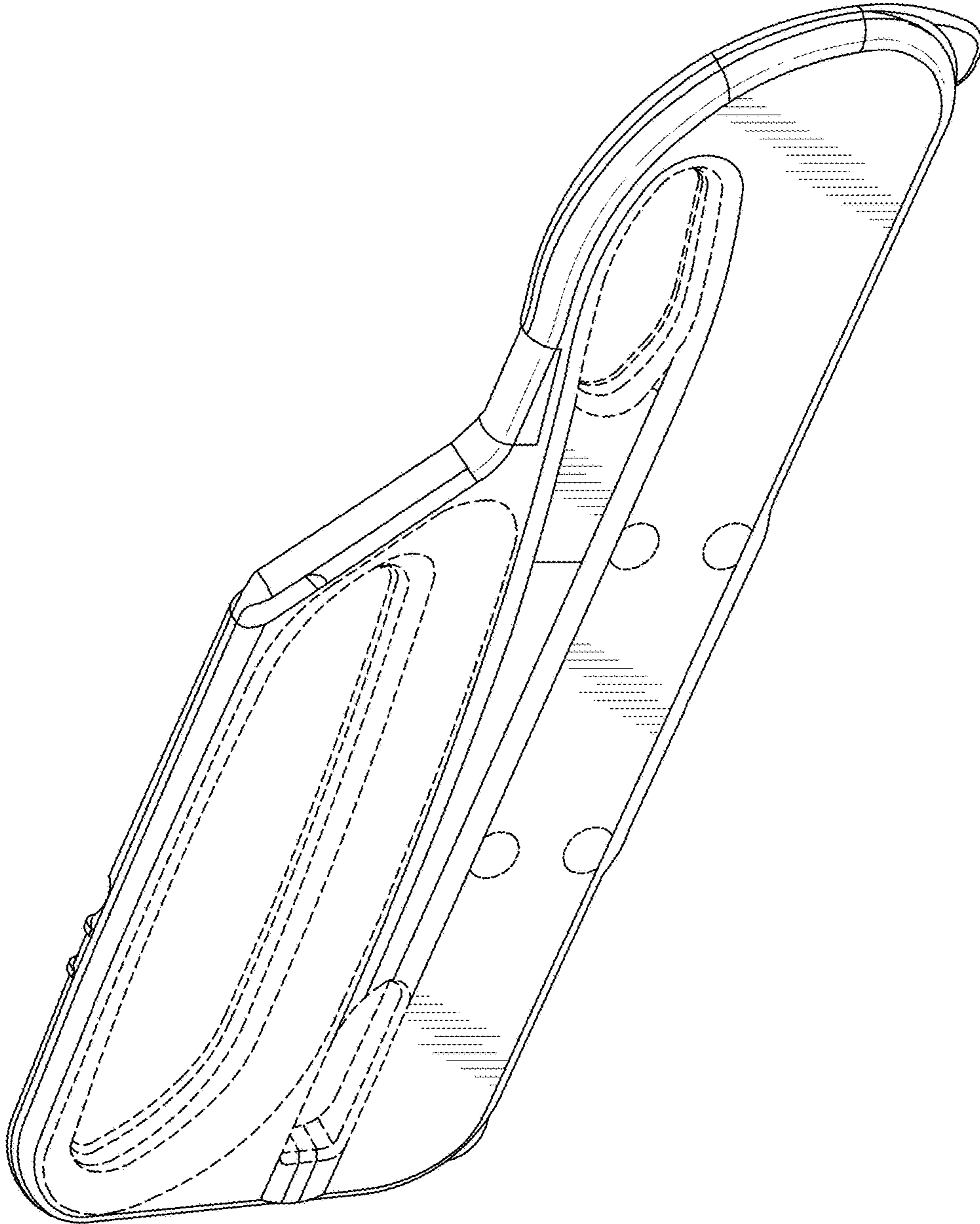


Fig. 9

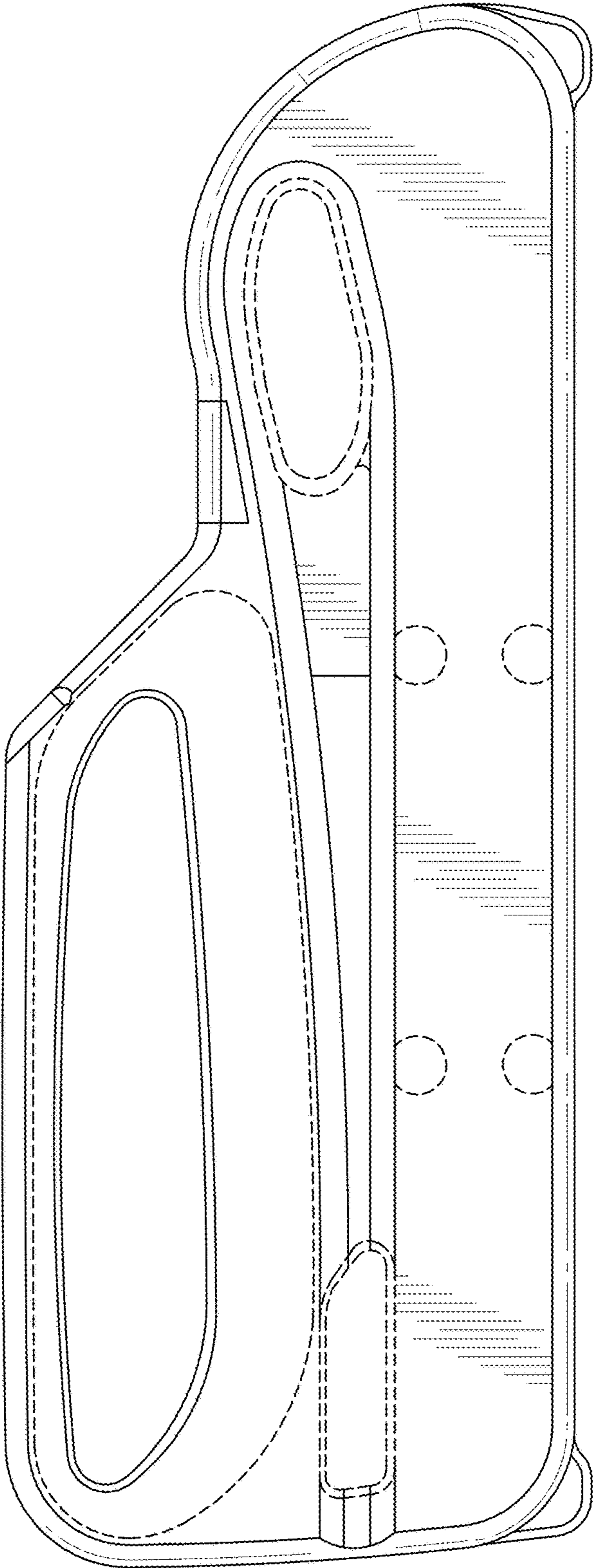


Fig. 10

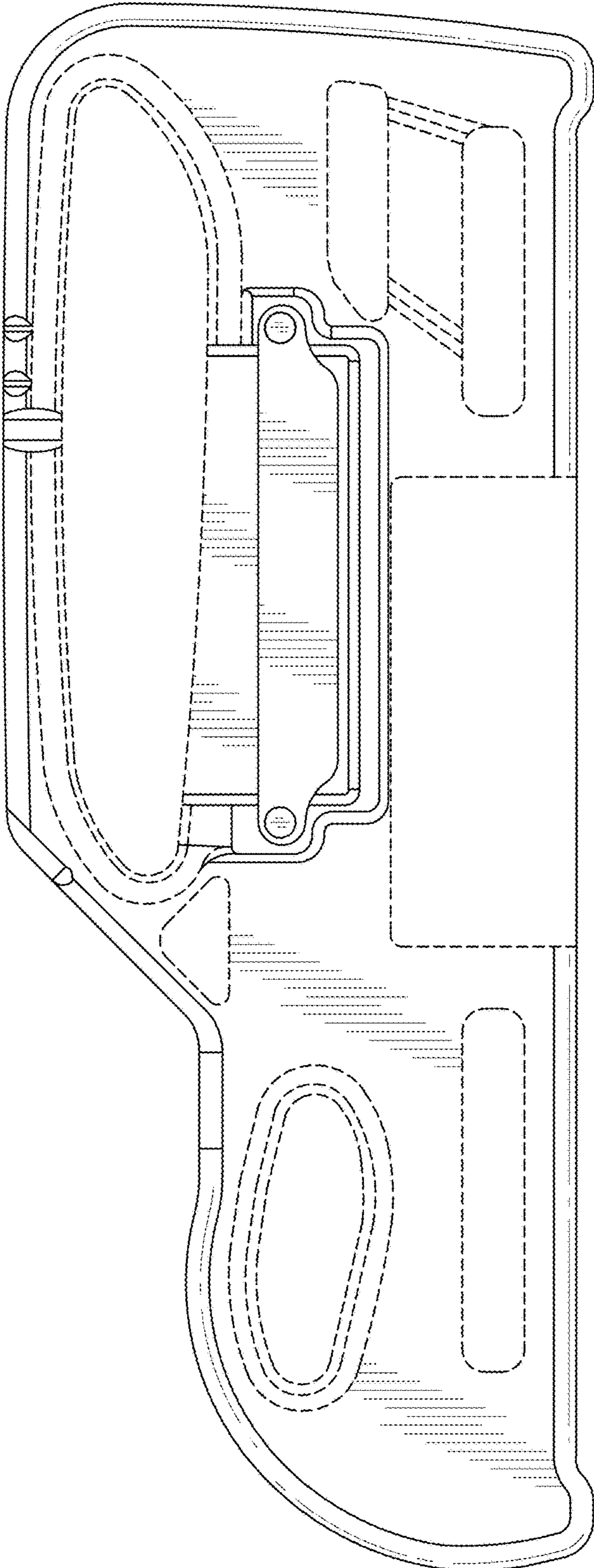


Fig. 11

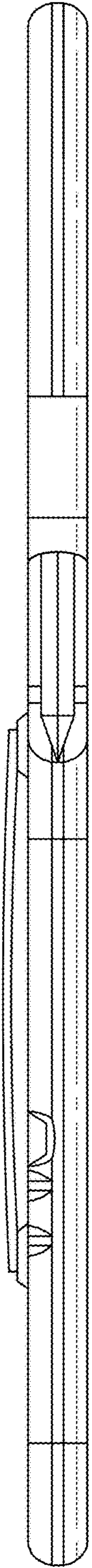


Fig. 12

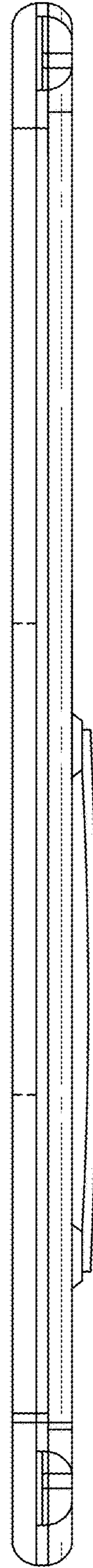


Fig. 13

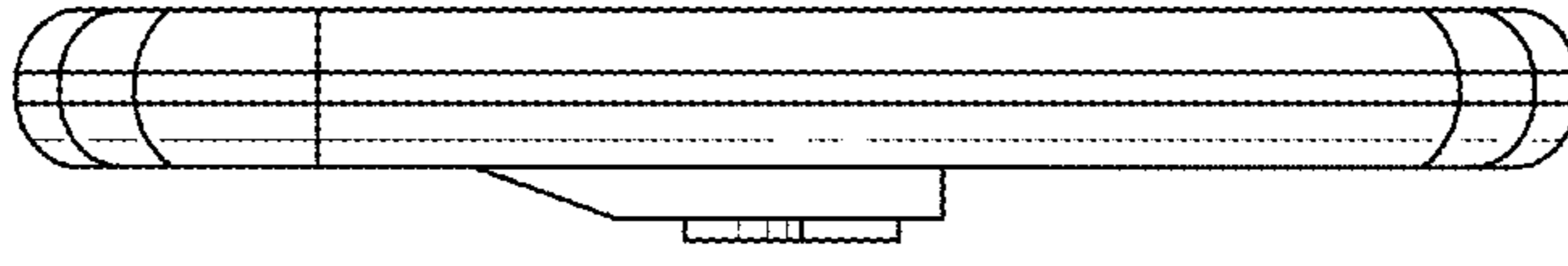


Fig. 15

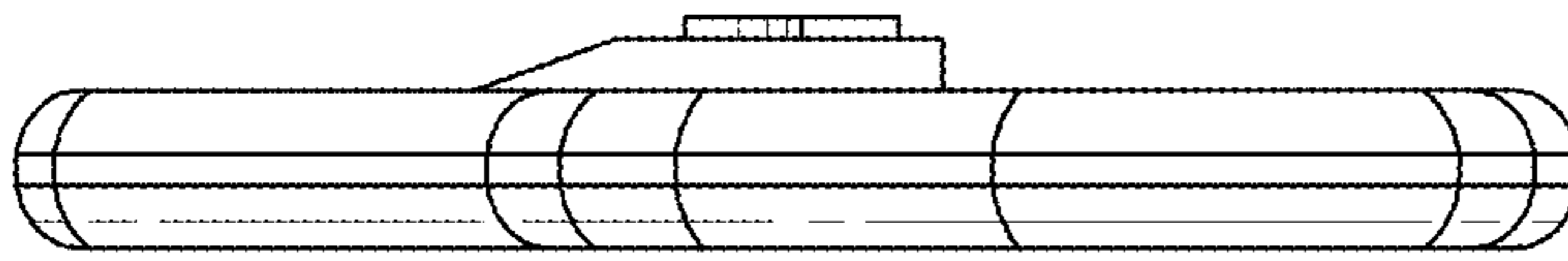


Fig. 14

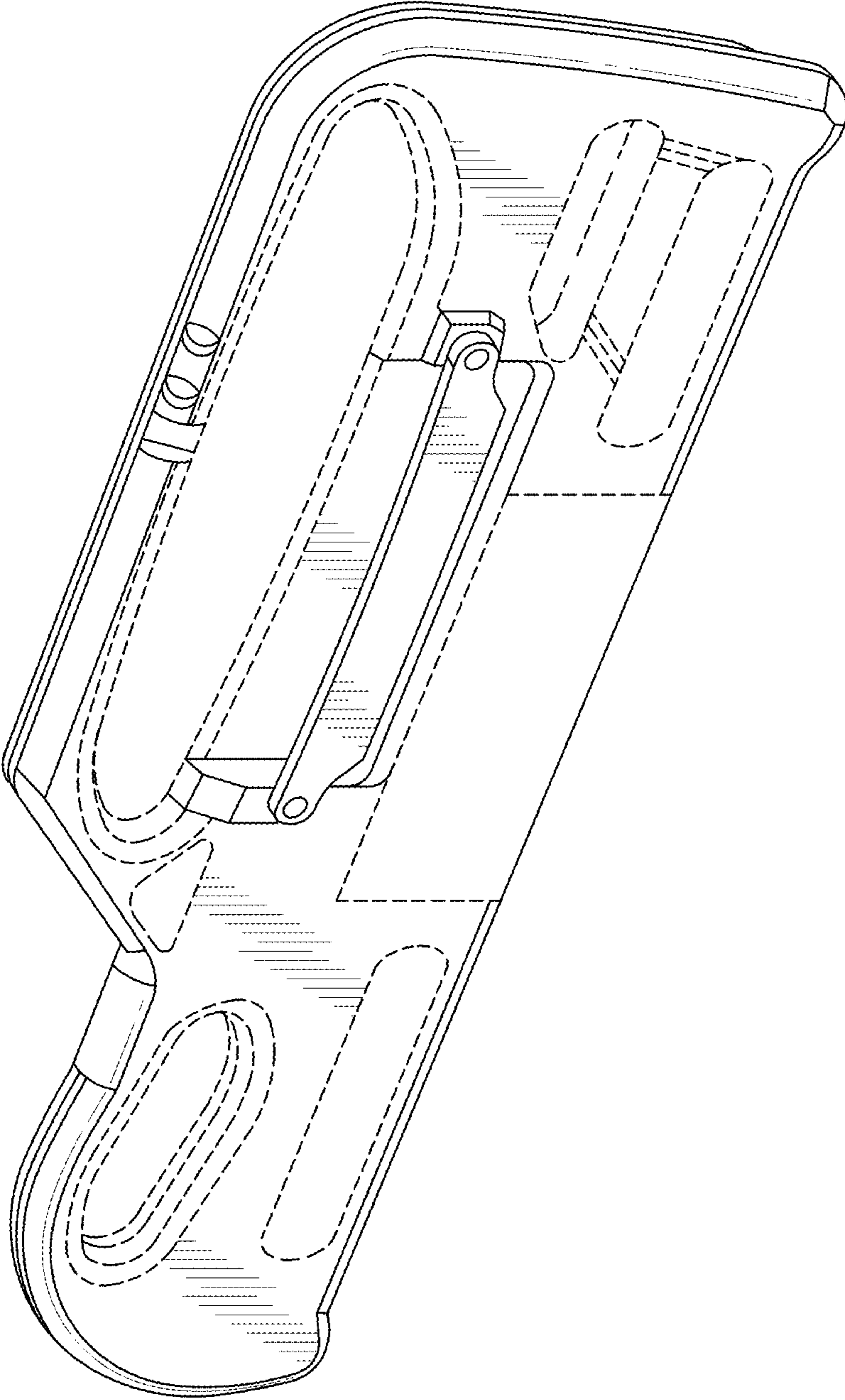


Fig. 16